



US00D355227S

United States Patent [19]

[11] Patent Number: **Des. 355,227**

Summers et al.

[45] Date of Patent: **** Feb. 7, 1995**

[54] **TREADMILL**

[75] Inventors: **Jeffery S. Summers**, Santa Monica, Calif.; **Anton Kimbill**, Portland, Oreg.; **Alex E. Kunzler**, Bellevue, Wash.

[73] Assignee: **Evergreen Ventures, Inc.**, Santa Monica, Calif.

[**] Term: **14 Years**

[21] Appl. No.: **13,620**

[22] Filed: **Sep. 28, 1993**

[52] U.S. Cl. **D21/192**

[58] Field of Search **D21/191, 192, 193, 195; 482/51, 52, 53, 54, 66, 74**

D. 342,107	12/1993	Chang	D21/192
4,151,988	5/1979	Nabinger	482/54
4,614,336	9/1986	Taitel	482/54
4,659,074	4/1987	Taitel	482/54
4,776,582	10/1988	Ramhorst	482/54
5,018,722	5/1991	Whitmore	482/54
5,207,622	5/1993	Wilkinson et al.	482/54

Primary Examiner—Bernard Ansher
Assistant Examiner—Philip Hyder
Attorney, Agent, or Firm—Blakely, Sokoloff, Taylor, Zafman

[57] **CLAIM**

The ornamental design for a treadmill, as shown and described.

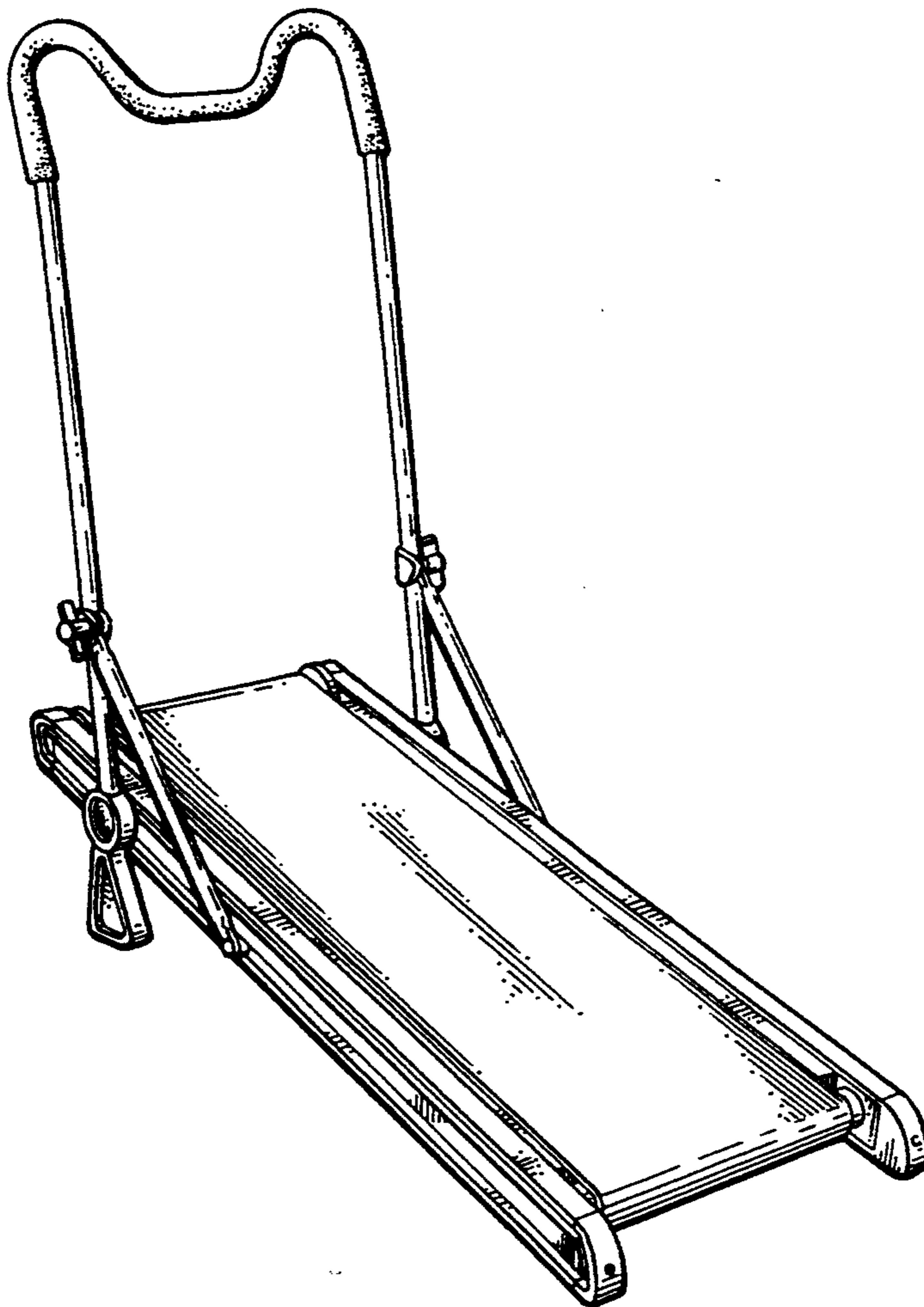
DESCRIPTION

FIG. 1 is a perspective view of the treadmill;
FIG. 2 is a side view of the treadmill;
FIG. 3 is a top view of the treadmill;
FIG. 4 is a bottom view of the treadmill;
FIG. 5 is a front view of the treadmill; and,
FIG. 6 is a rear view of the treadmill.

[56] **References Cited**

U.S. PATENT DOCUMENTS

D. 273,029	3/1984	Kullenberg	D21/192
D. 303,557	9/1989	Kiiski	D21/192
D. 304,849	11/1989	Watterson	D21/192
D. 325,951	5/1992	Johnson	D21/192



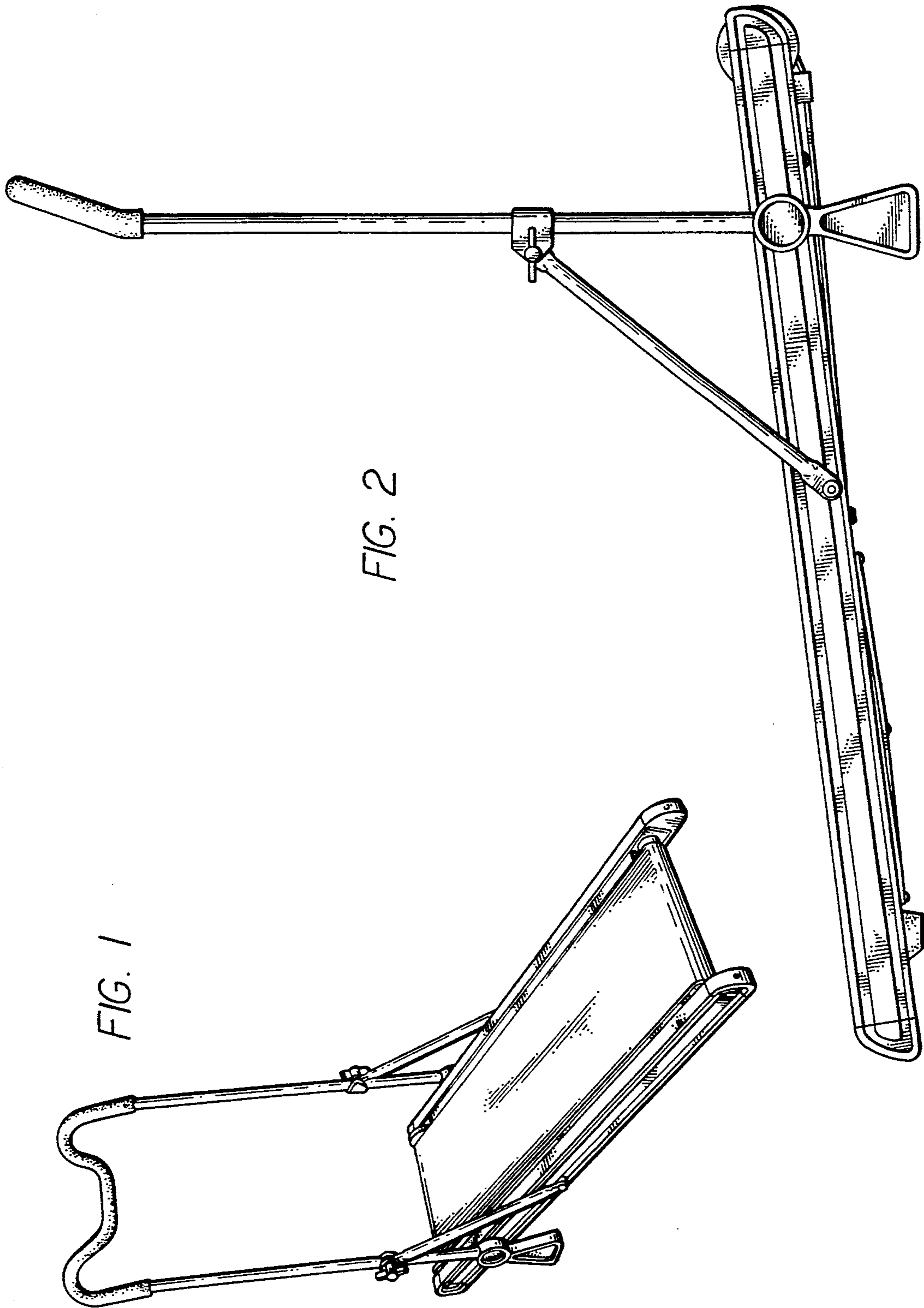


FIG. 1

FIG. 2

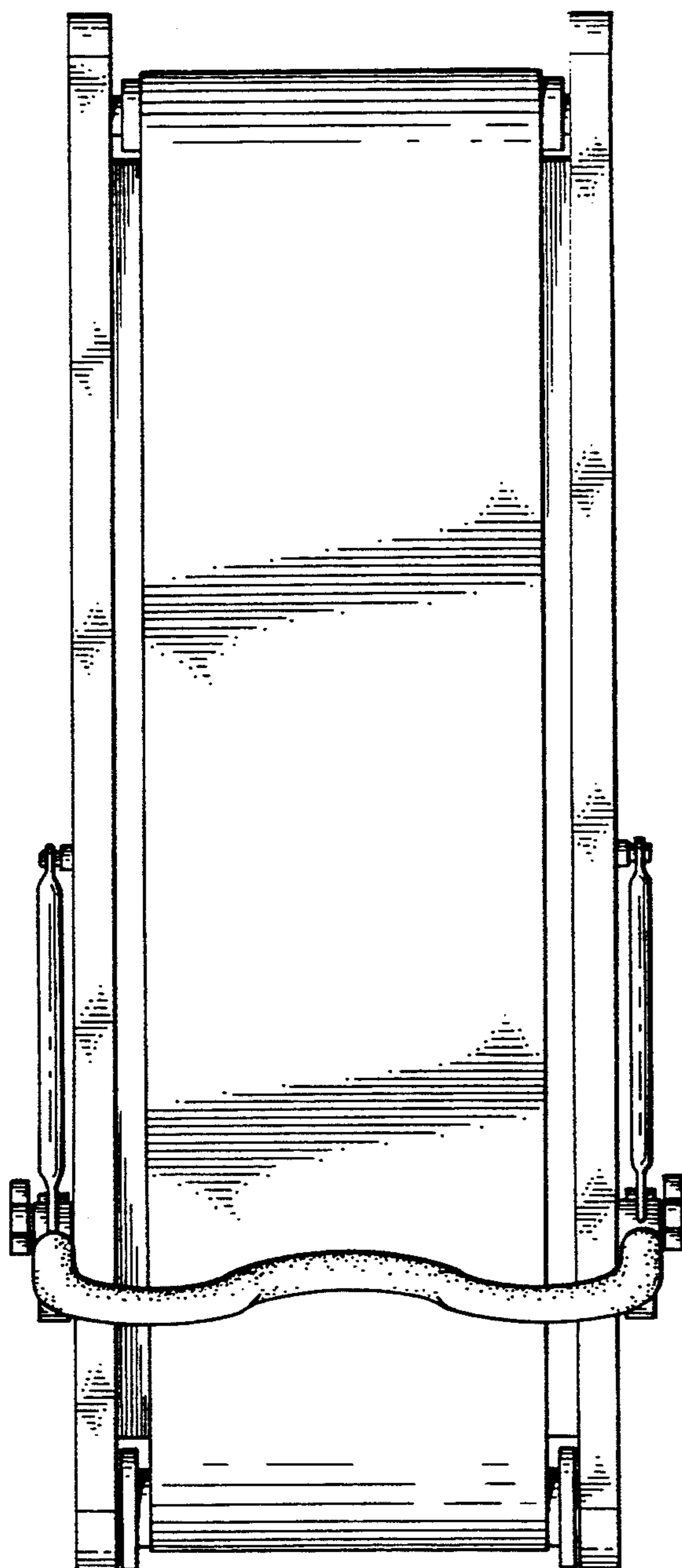


FIG. 3

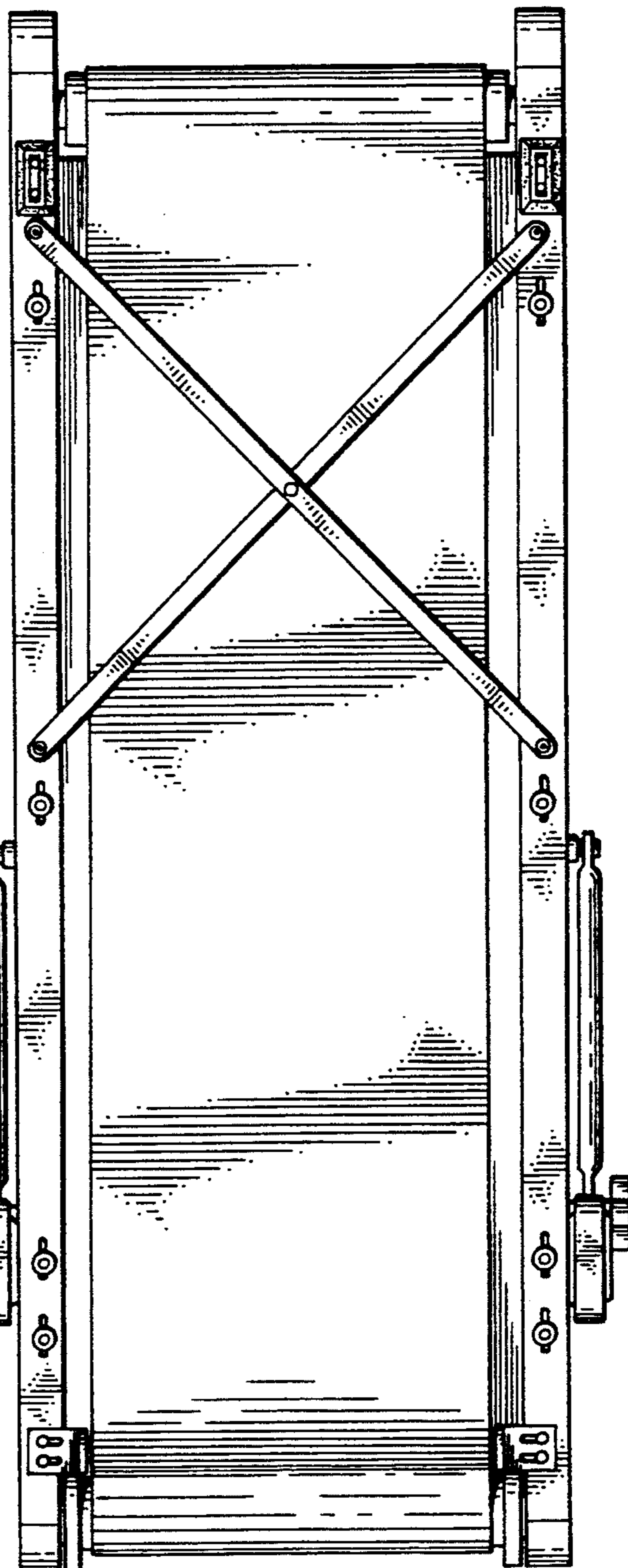


FIG. 4

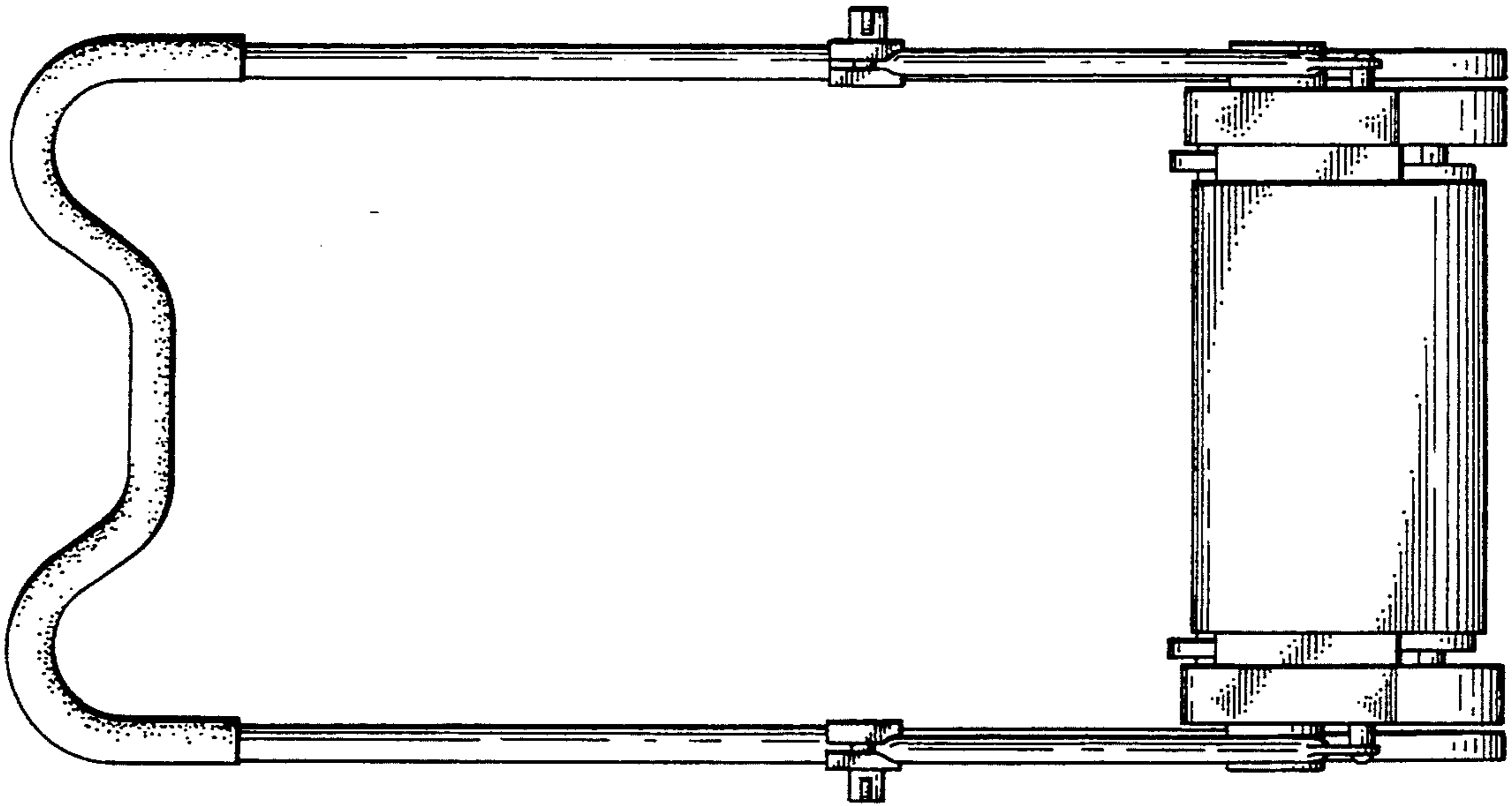


FIG. 6

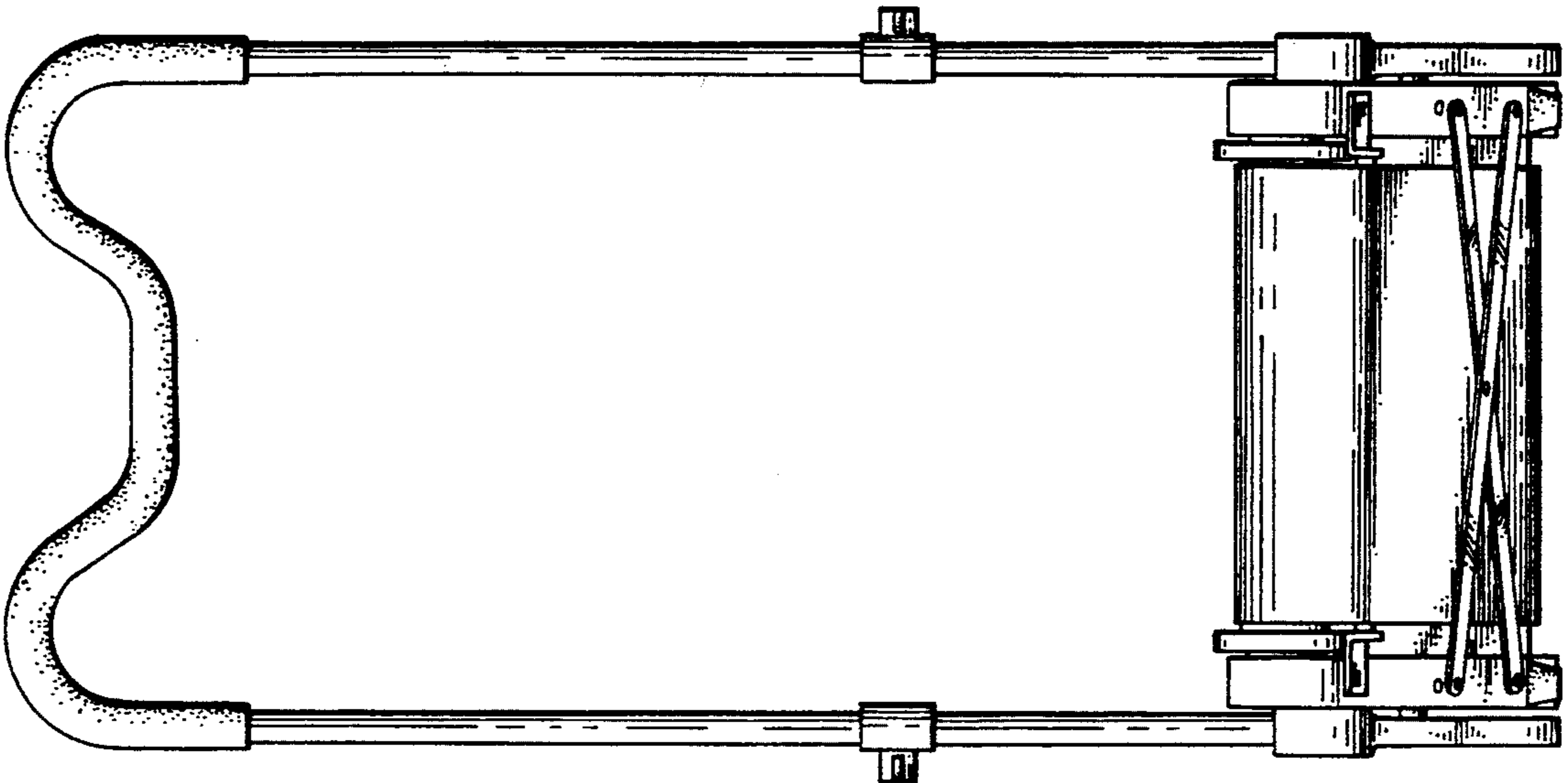


FIG. 5