



US00D355224S

United States Patent [19]

[11] Patent Number: **Des. 355,224**

Arad et al.

[45] Date of Patent: **** Feb. 7, 1995**

[54] MULTI-COMPONENT PROJECTILE-PROPELLING TOY WEAPON

[75] Inventors: **Avi Arad**, Westport, Conn.; **Finn Tornquist**, Warren, N.J.

[73] Assignee: **Toy Biz, Inc.**, New York, N.Y.

[**] Term: **14 Years**

[21] Appl. No.: **3,230**

[22] Filed: **Dec. 31, 1992**

[52] U.S. Cl. **D21/145**

[58] Field of Search **D21/145-147; D22/103-105; D23/223, 226; 446/473, 475; 124/22, 64-65; 222/78-79; 239/526**

[56] References Cited

U.S. PATENT DOCUMENTS

D. 199,854	12/1964	Constan	D21/146
D. 201,190	5/1965	Constan	D21/146
D. 205,231	7/1966	Blumenthal	D21/146
D. 286,308	10/1986	Mayer	D21/146
4,626,222	12/1986	Sweet	446/473

OTHER PUBLICATIONS

Undated sheet showing Topper's Johnny Seven One Man Army Gun (acknowledged to be prior art). Hong Kong Toys Feb. 1991 p. 201 #1.

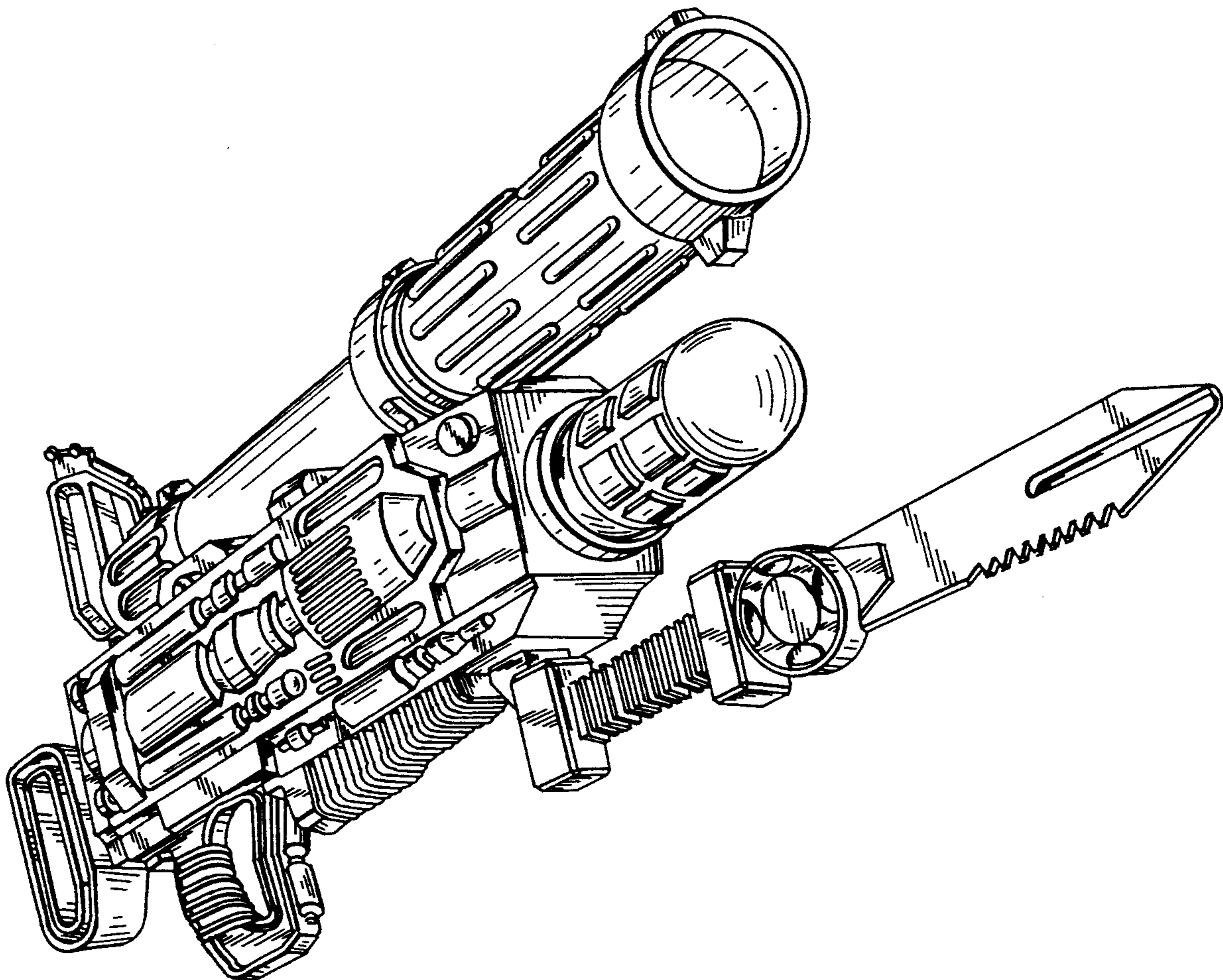
Primary Examiner—Bernard Ansher
Assistant Examiner—R. Barkai
Attorney, Agent, or Firm—Amster, Rothstein & Ebenstein

[57] CLAIM

The ornamental design for a multi-component projectile-propelling toy weapon, as shown and described.

DESCRIPTION

FIG. 1 is a side elevational view of a multi-component projectile-propelling toy weapon showing our new design, the opposite side being a mirror image thereof; FIG. 2 is a top plan view thereof; FIG. 3 is a bottom plan view thereof; FIG. 4 is a front elevational view thereof; FIG. 5 is a back elevational view thereof; and, FIG. 6 is an isometric view thereof.



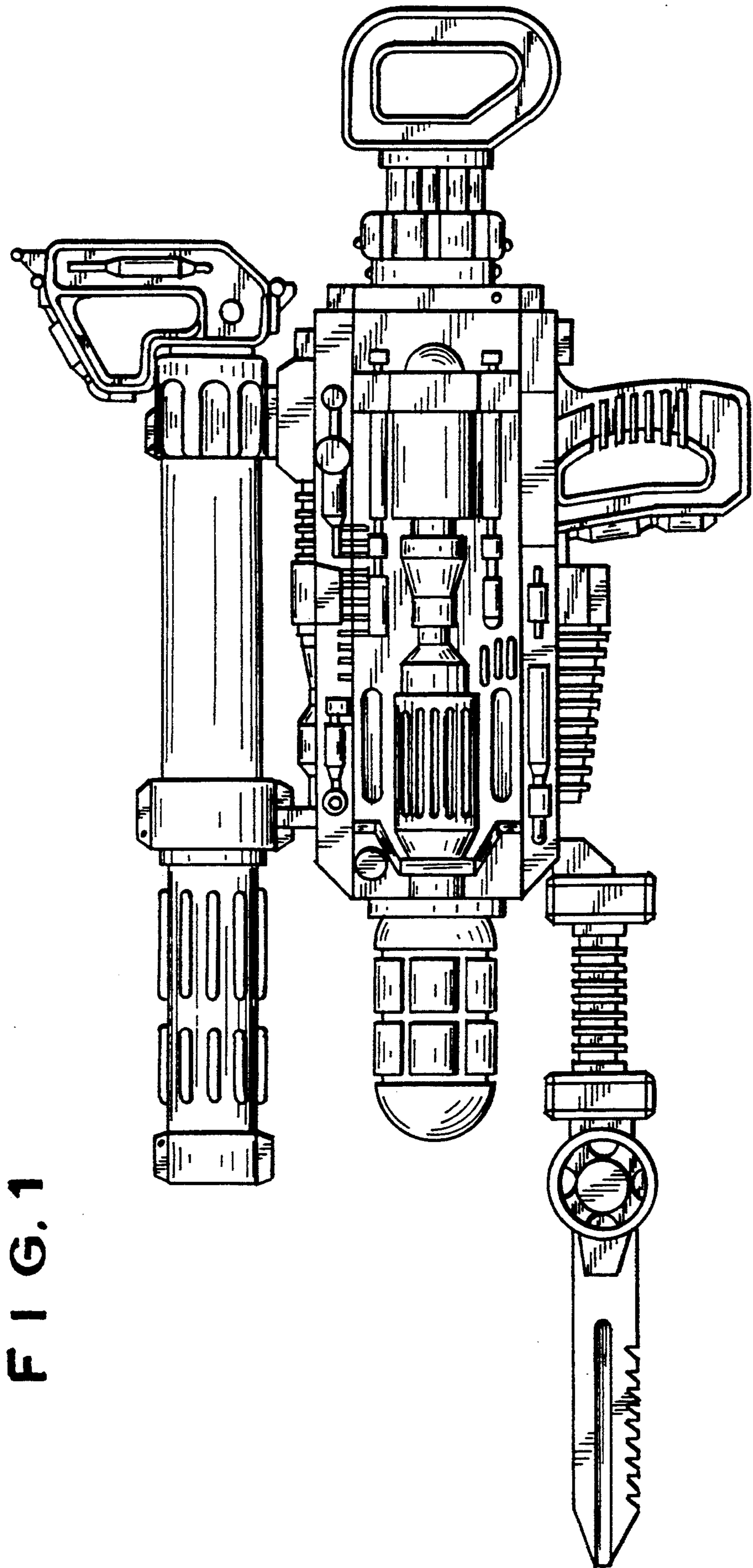


FIG. 1

FIG. 2

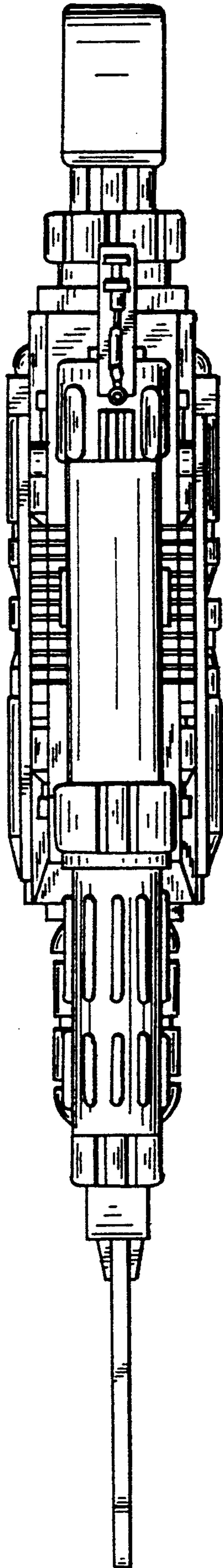


FIG. 3

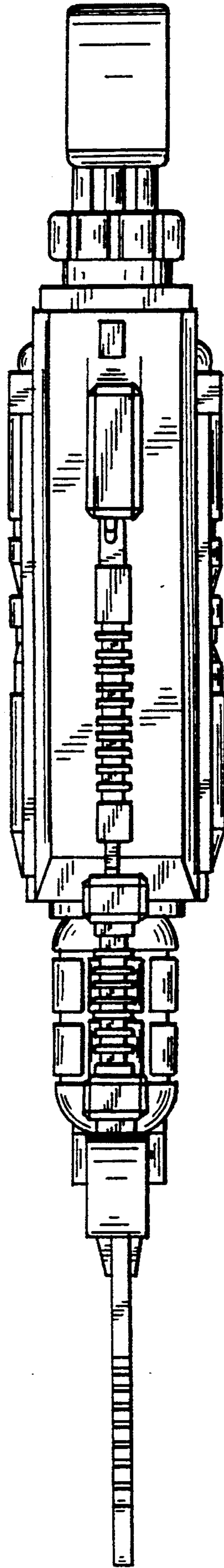


FIG. 5

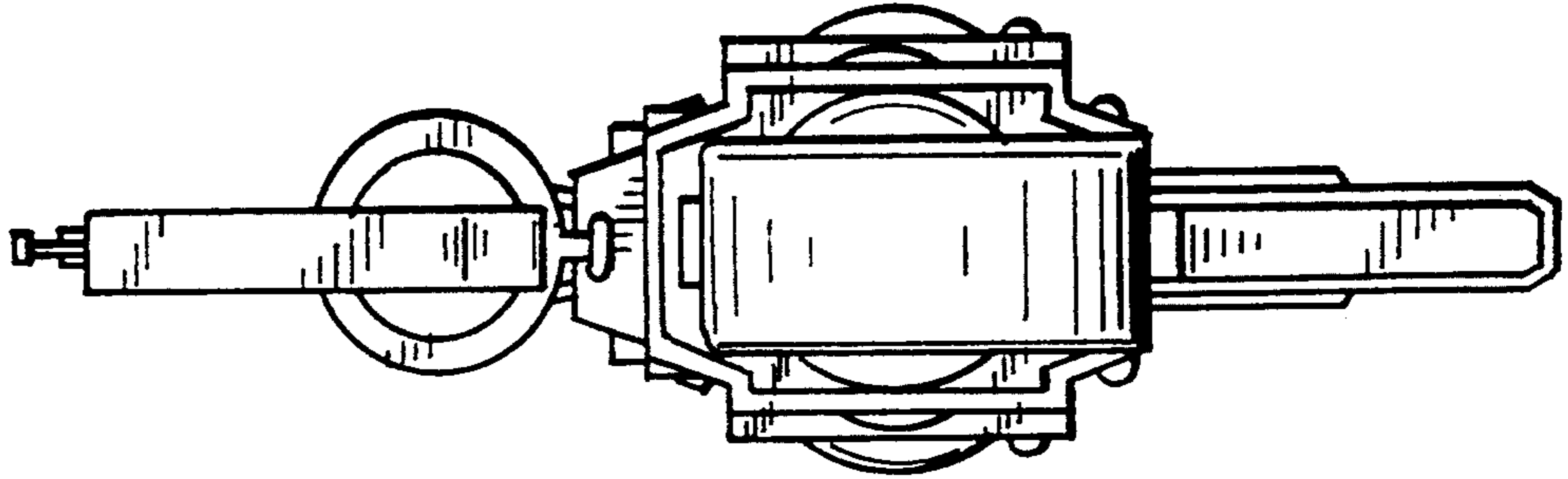
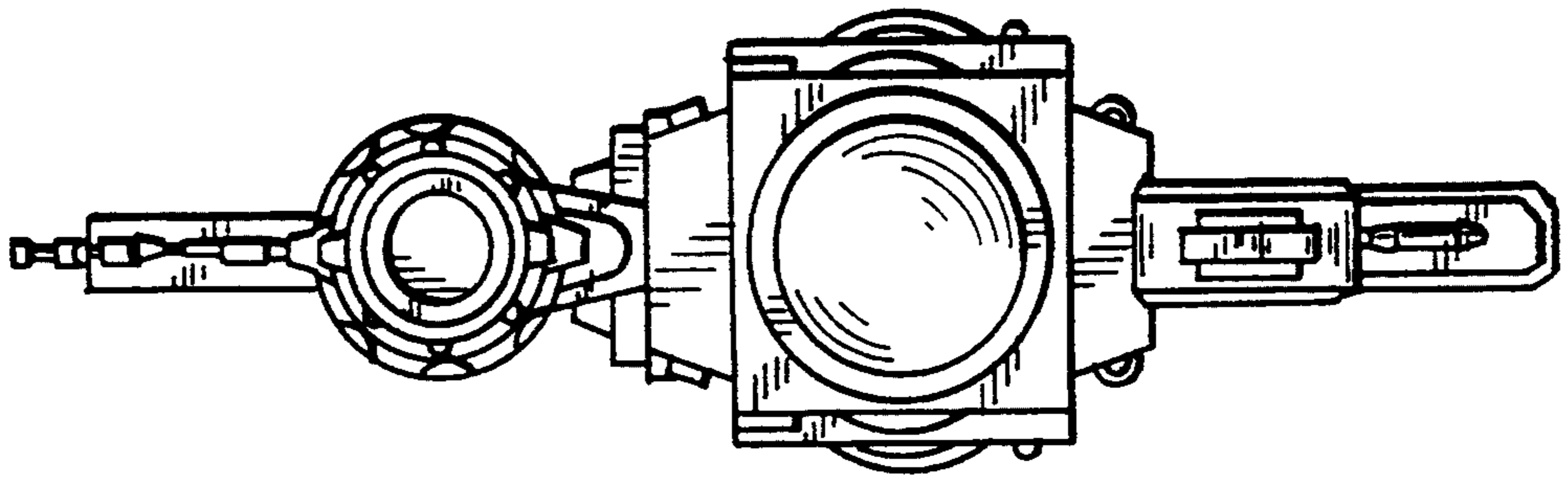


FIG. 4



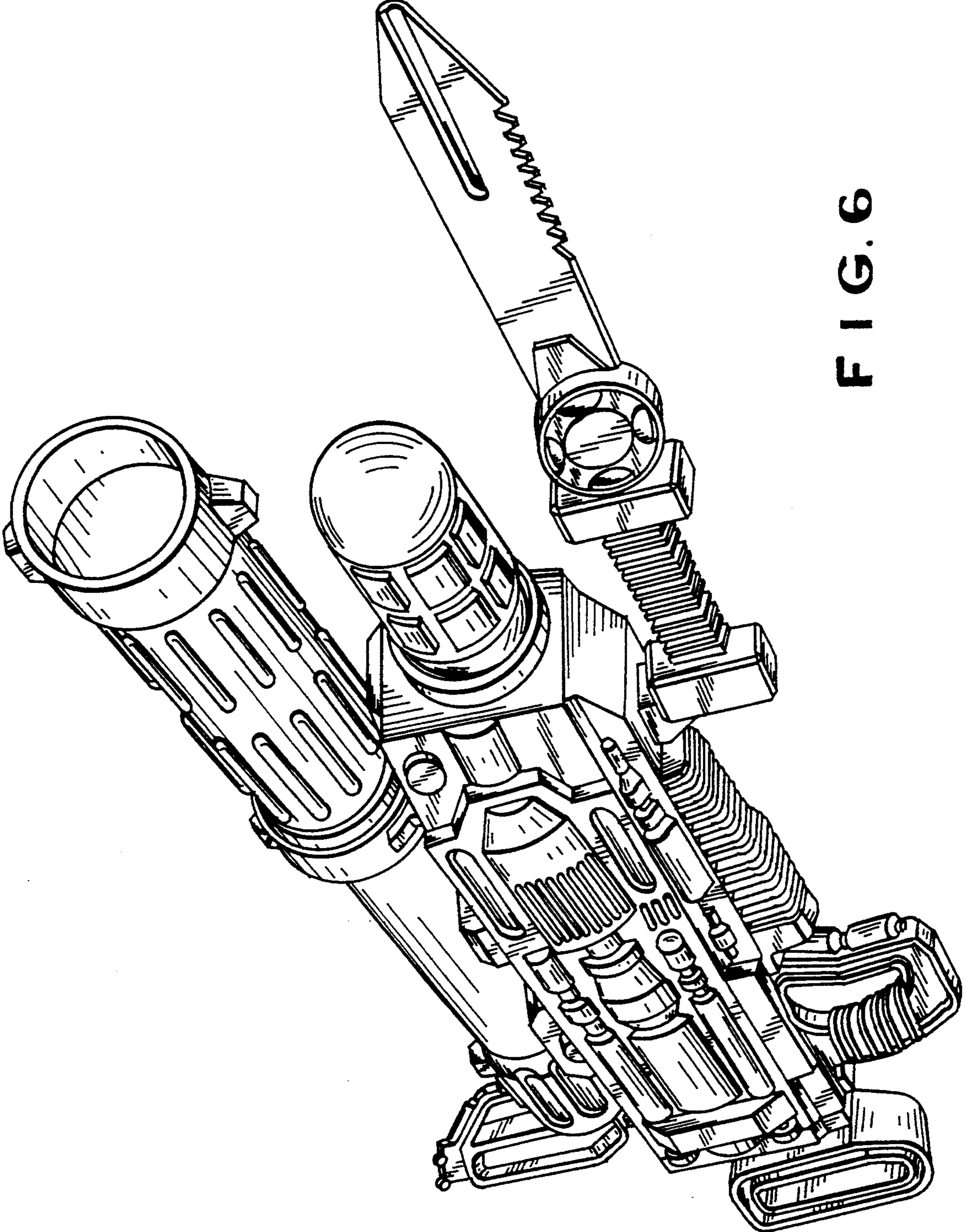


FIG. 6