



US00D355218S

United States Patent [19]

[11] Patent Number: **Des. 355,218**

Peterka

[45] Date of Patent: **** Feb. 7, 1995**

[54] **COMBINED DESK SET AND PICTURE FRAME**

4,934,527 6/1990 Ho .
5,038,505 8/1991 Young .

[76] Inventor: **Edward S. Peterka**, 1117 Windcrest Acres, Galesburg, Ill. 61401

OTHER PUBLICATIONS

Exposures, Summer 1991, see p. 32, bottom center.

[**] Term: **14 Years**

Primary Examiner—Martie Thompson
Attorney, Agent, or Firm—Karin E. Peterka

[21] Appl. No.: **9,738**

[57] CLAIM

[22] Filed: **Jun. 21, 1993**

The ornamental design for a combined desk set and picture frame, as shown and described.

[52] U.S. Cl. **D19/82; D19/84; D19/51; D6/314**

DESCRIPTION

[58] **Field of Search** D19/34.1-34.4, D19/35, 36, 41-51, 54-58, 75, 81-85, 86, 90, 95, 99, 100; D6/300, 314; 40/124, 124.1, 152, 152.1, 156; 211/69.1-69.9

FIG. 1 is a perspective view of the combined desk set and picture frame incorporating and showing my new design;

[56] References Cited

U.S. PATENT DOCUMENTS

- D. 21,587 5/1892 Hemphill D19/23
- D. 65,038 6/1924 Scalabrino D19/34.4
- D. 75,753 7/1928 Steeb D19/34.3
- D. 81,286 6/1930 Johnson .
- D. 140,181 1/1945 McGonigal D19/34.2
- D. 148,603 2/1948 Berg D19/34.1
- D. 191,932 12/1961 Schroeder .
- D. 242,704 12/1976 Coatney D19/75
- D. 255,587 6/1980 Dane .
- D. 270,899 10/1983 Huang .
- D. 275,744 10/1984 McJunkin et al. .
- D. 277,013 1/1985 Wasson D19/75
- D. 317,624 6/1991 Jurinjak .
- D. 336,494 6/1993 Popejoy D19/34.1
- 1,831,712 11/1931 Keenan .
- 2,890,090 6/1959 Olson .
- 4,787,161 11/1988 Feng .

FIG. 2 is a left side elevational view thereof, the right side elevational view being the same as the side shown in FIG. 2;

FIG. 3 is a front view thereof;

FIG. 4 is a rear view thereof;

FIG. 5 is a top view thereof;

FIG. 6 is a bottom end view thereof;

FIG. 7 is a perspective view of an alternative embodiment of the combined desk set and picture frame of FIG. 1; and,

FIG. 8 is a perspective view of an alternative embodiment of the combined desk set and picture frame of FIG. 1.

The broken line showings of the photograph, golf ball, and number "4" on the golf flag, in FIGS. 1, 2, 3, 5, 7, and 8 are for illustrative purposes only and form no part of the claimed design.

The texture pattern is continuous throughout the surfaces shown in FIGS. 1, 2, 3, 4, 5, 7, and 8.

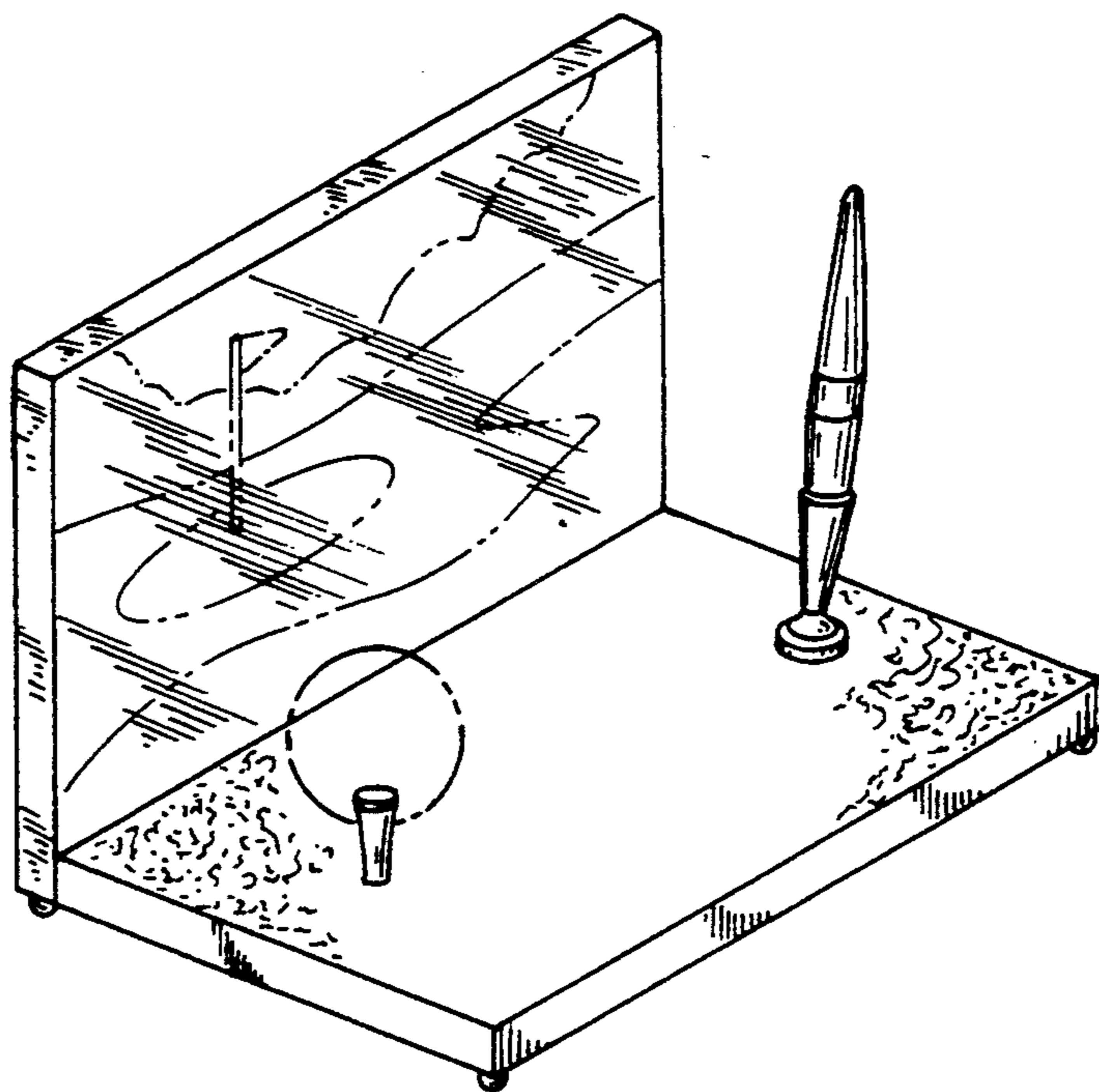


FIG. 1

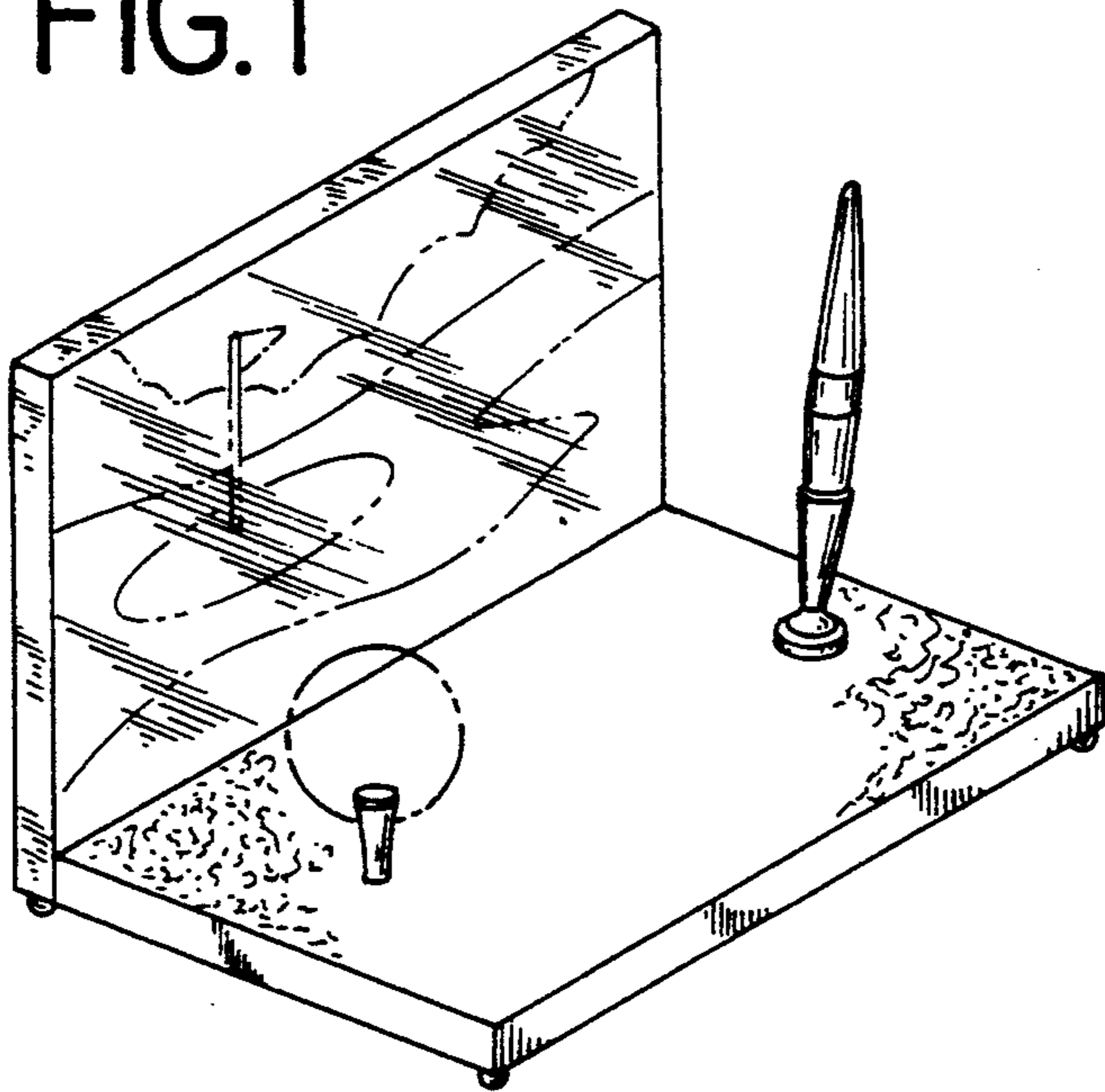


FIG. 2

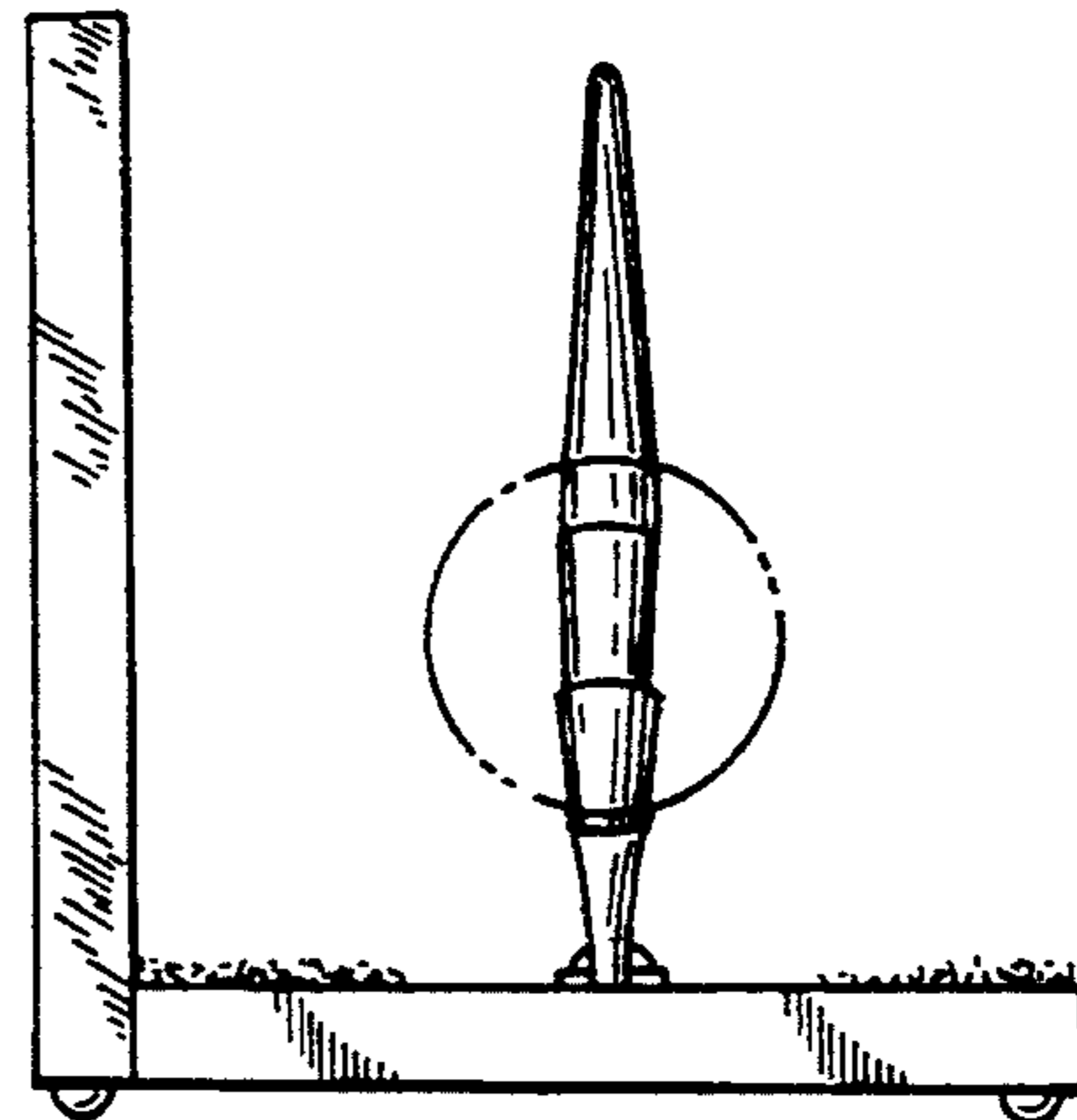


FIG. 3

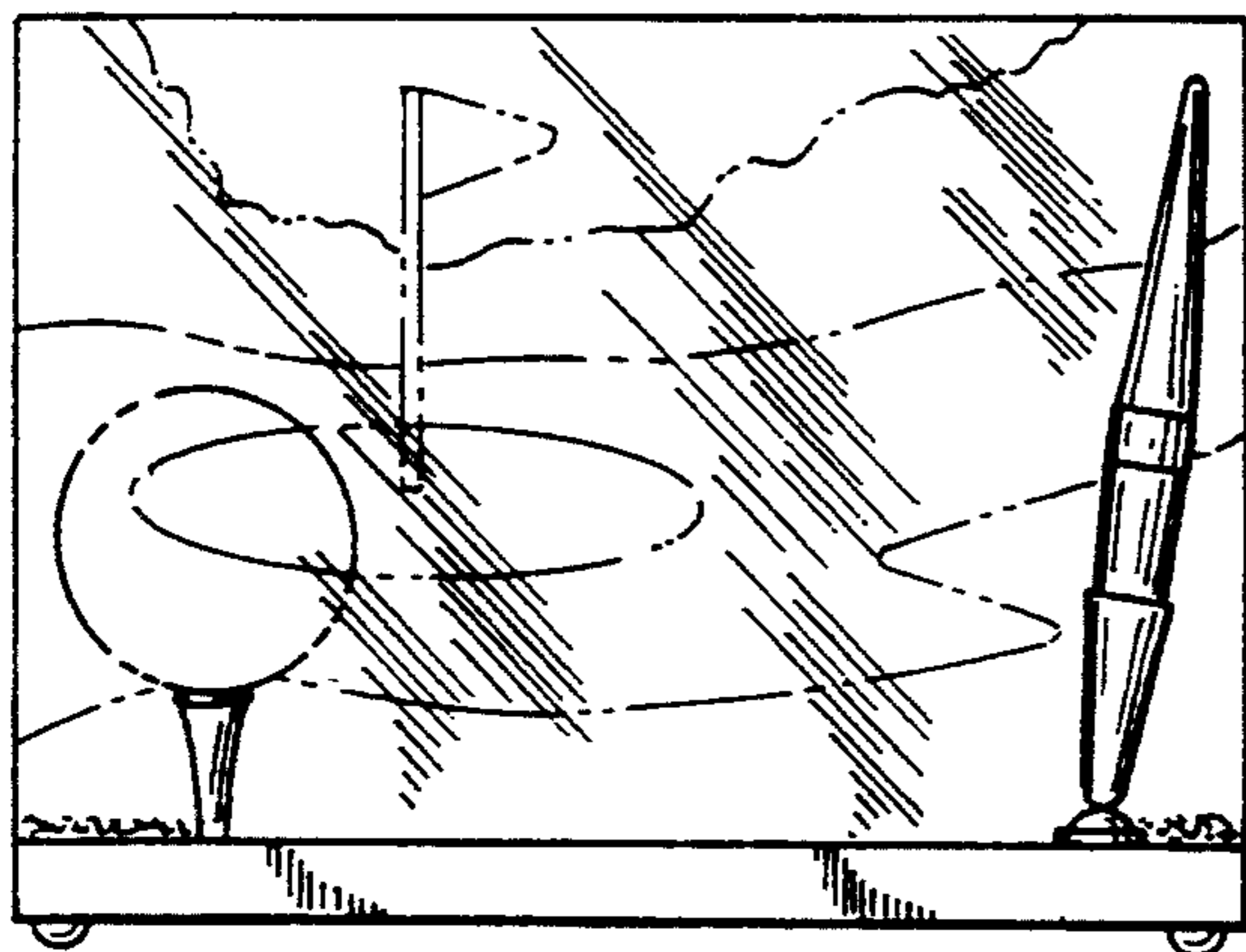


FIG. 4

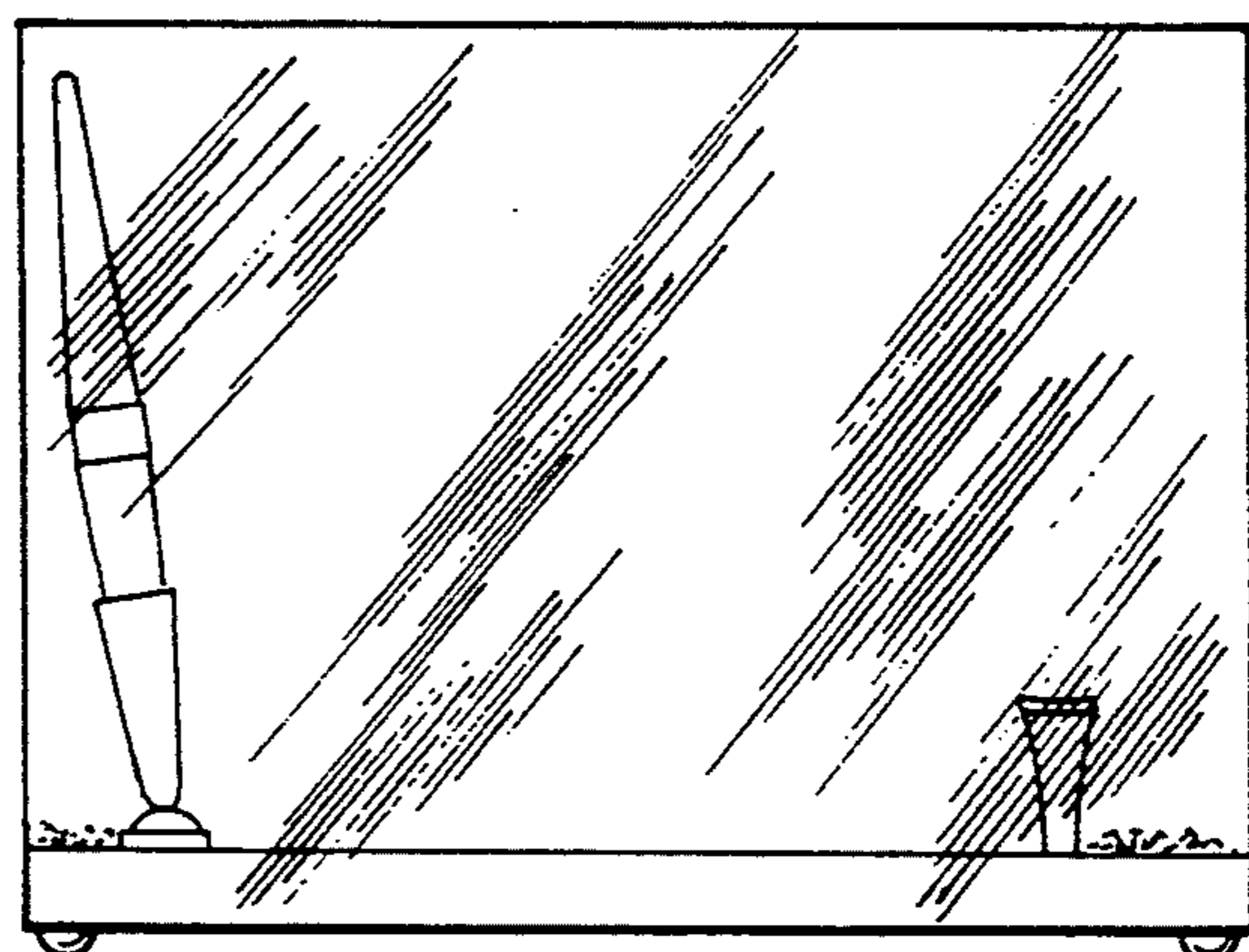


FIG. 5

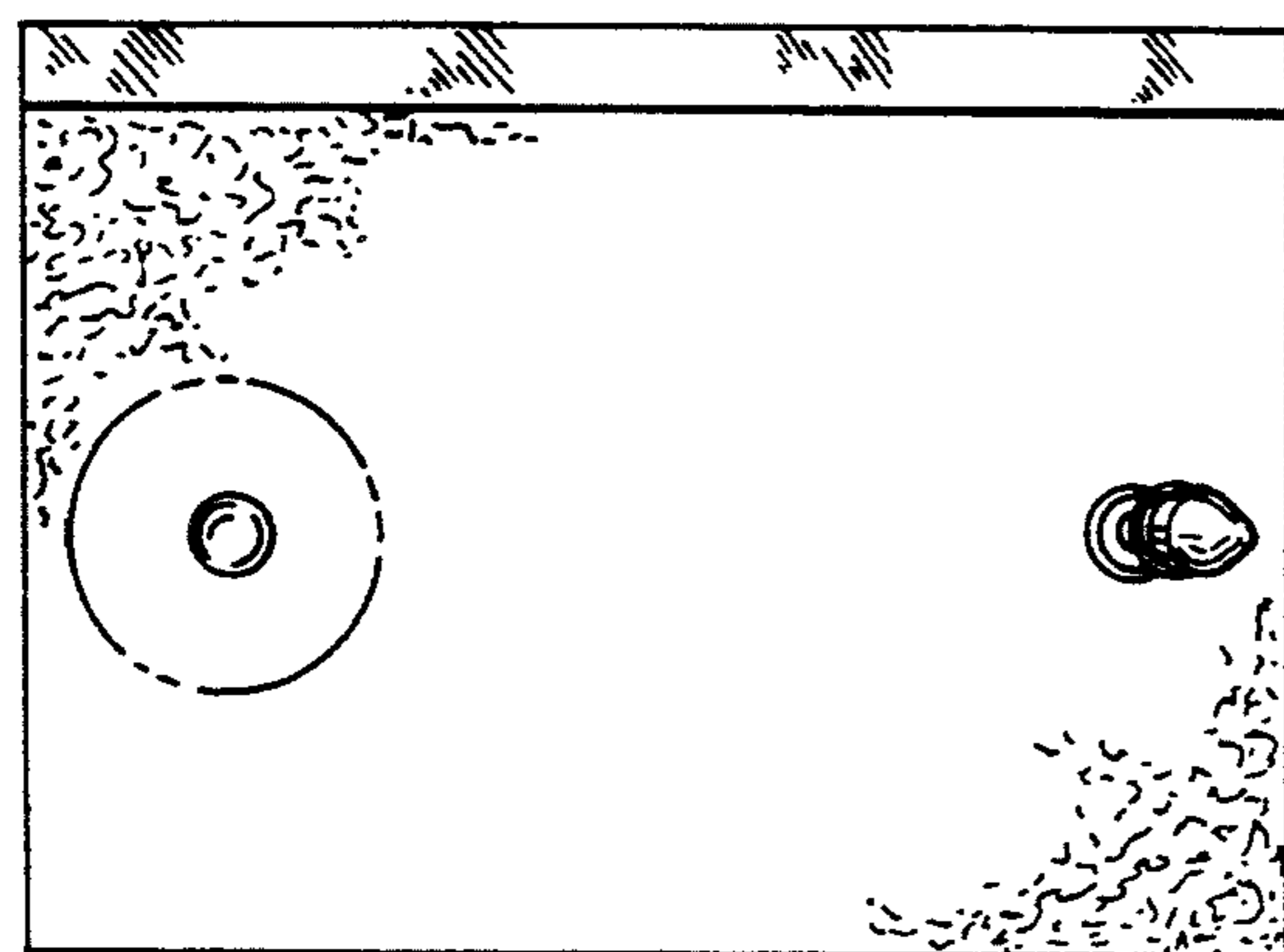


FIG. 6

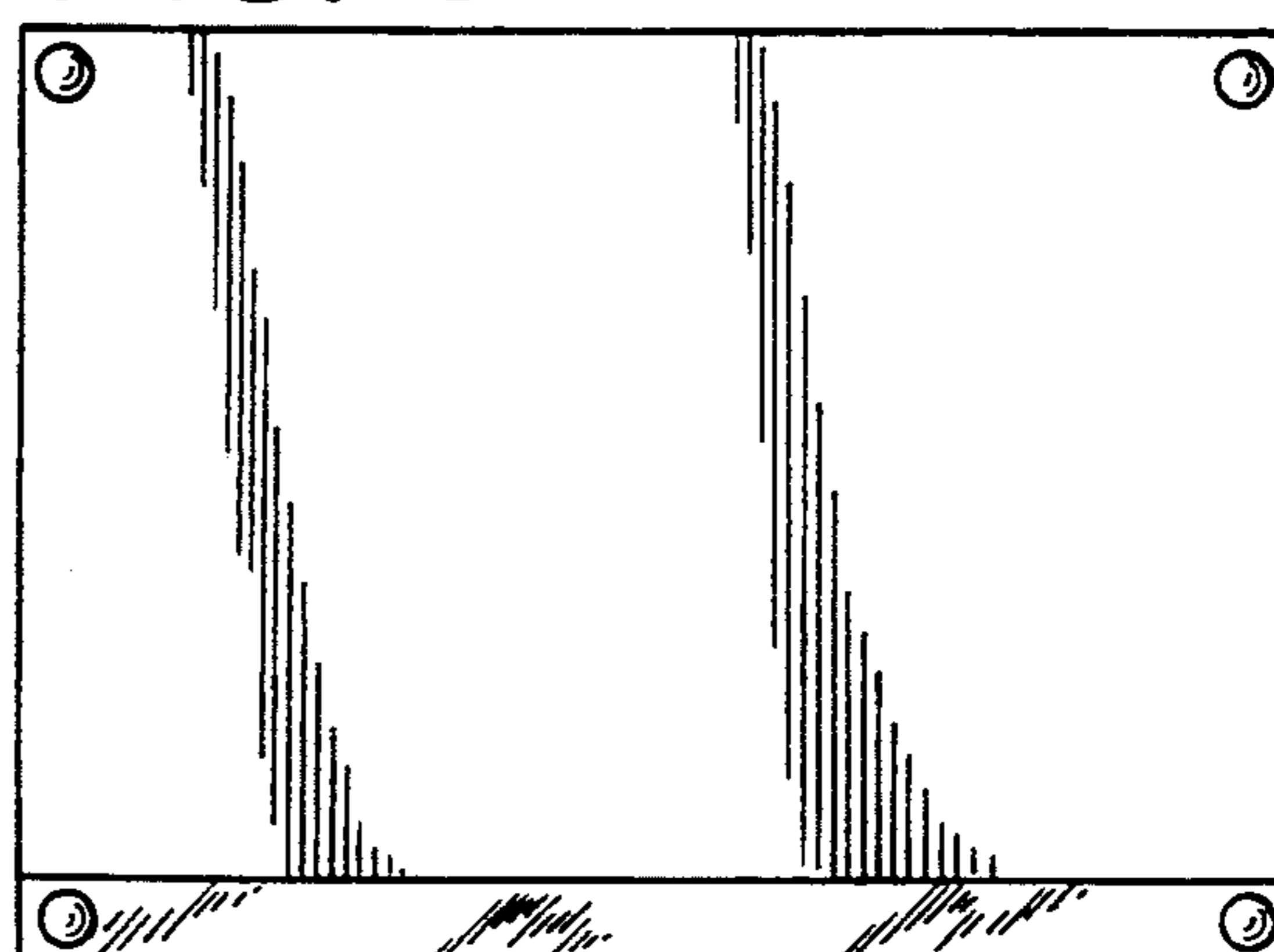


FIG. 7

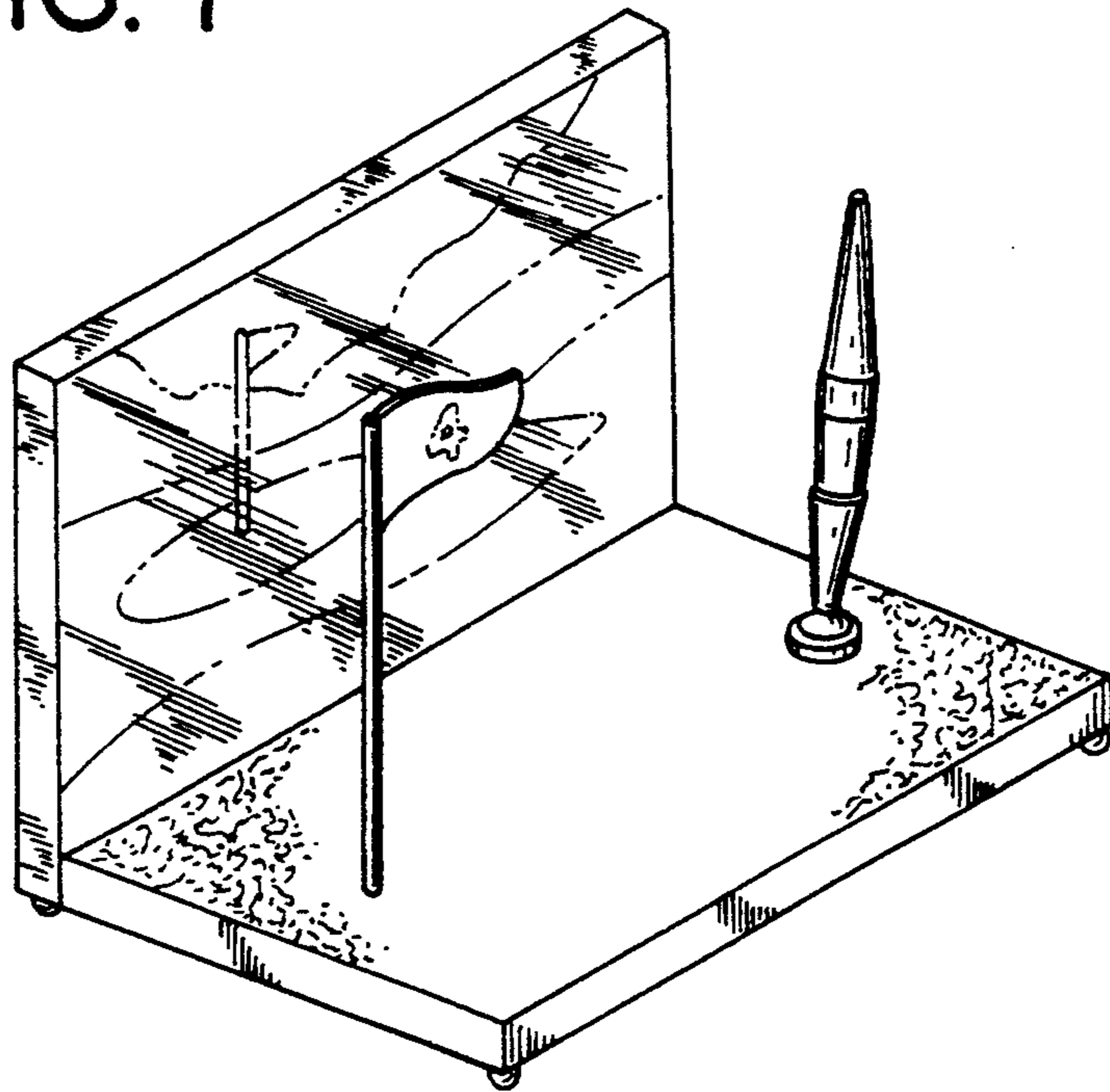


FIG. 8

