



US00D355217S

United States Patent [19]

[11] Patent Number: **Des. 355,217**

Luna

[45] Date of Patent: **** Feb. 7, 1995**

[54] **ORGANIZER FOR ASSORTED OFFICE ARTICLES**

[76] Inventor: **Patricia G. Luna, 30305B W. Thirteen Mile, Farmington Hills, Mich. 48334**

[**] Term: **14 Years**

[21] Appl. No.: **9,015**

[22] Filed: **Jun. 2, 1993**

[52] U.S. Cl. **D19/78; D19/85; D19/92**

[58] Field of Search **D19/35, 36, 65, 75, D19/76, 77, 78, 81-85, 86, 92, 95, 99, 100; 206/214, 215, 224, 371; 211/69.1-69.9**

[56] **References Cited**

U.S. PATENT DOCUMENTS

- D. 129,724 9/1941 Gardner D19/75
- D. 209,882 1/1968 Andersen D19/78 X
- D. 270,256 8/1983 Sankey D19/77
- D. 288,827 3/1987 Wolff D19/69 X

- D. 304,842 11/1989 Barone et al. D19/75
- D. 317,178 5/1991 Kheng D19/75
- D. 332,630 1/1993 Brüßing D19/77
- D. 337,351 7/1993 Chern D19/77 X
- D. 346,402 4/1994 Hassel et al. D19/75
- 5,265,735 11/1993 Hassel et al. 206/214 X

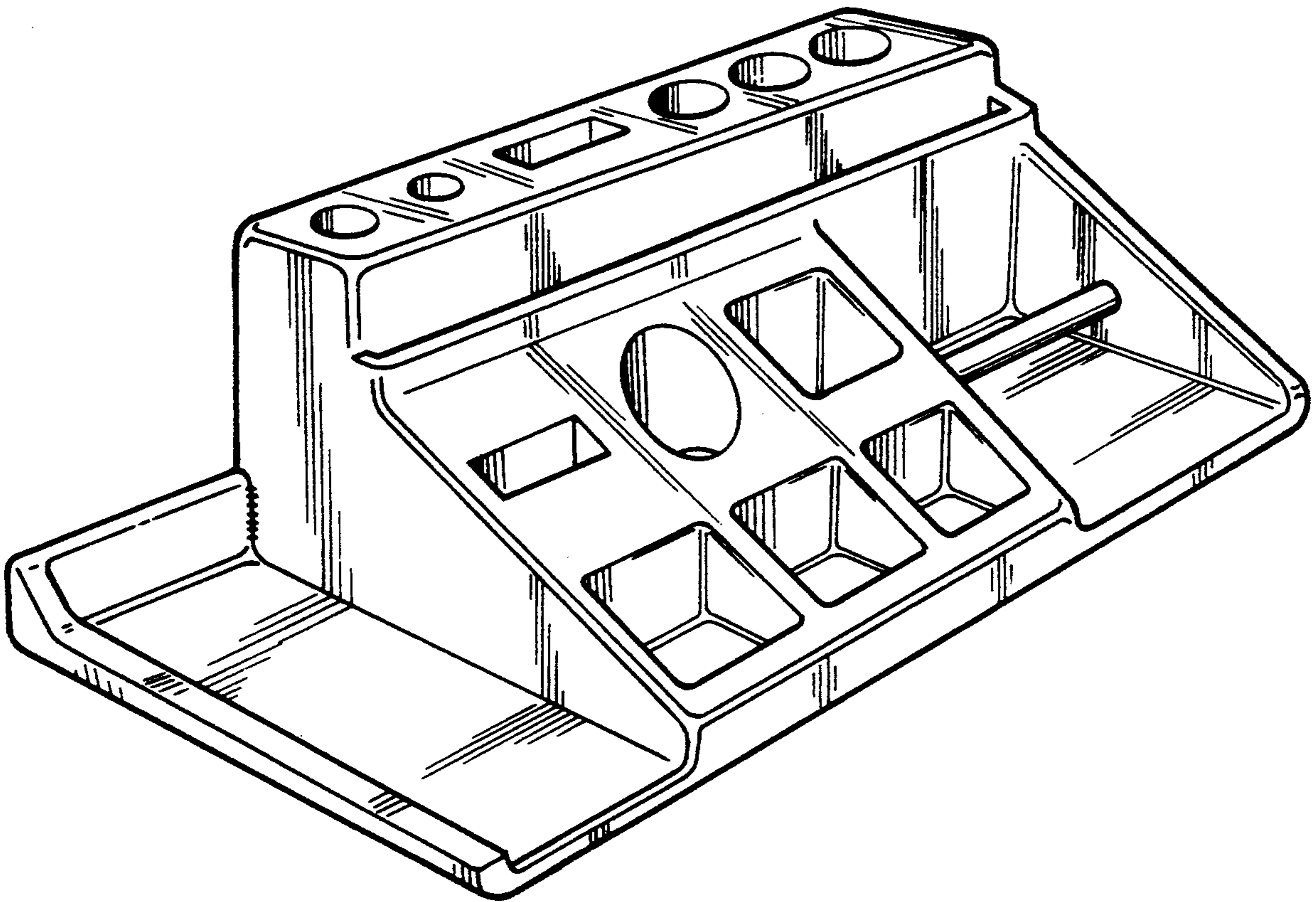
*Primary Examiner—Martie Thompson
Attorney, Agent, or Firm—Brooks & Kushman*

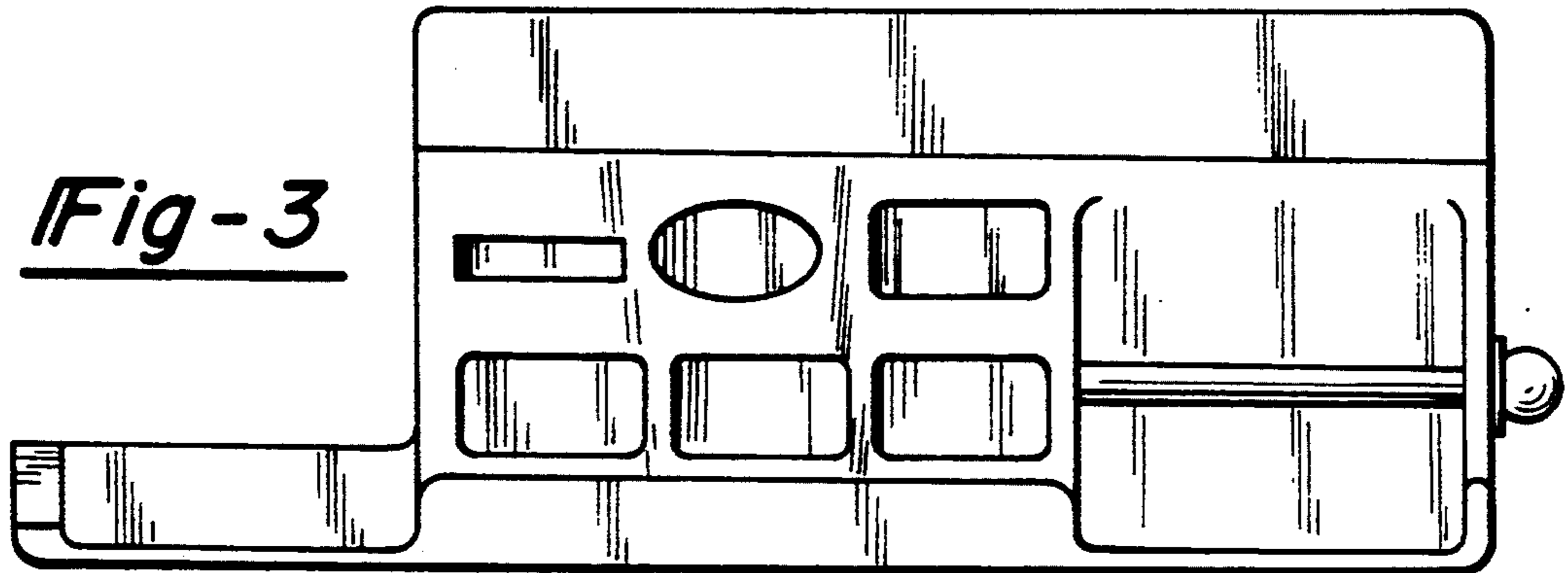
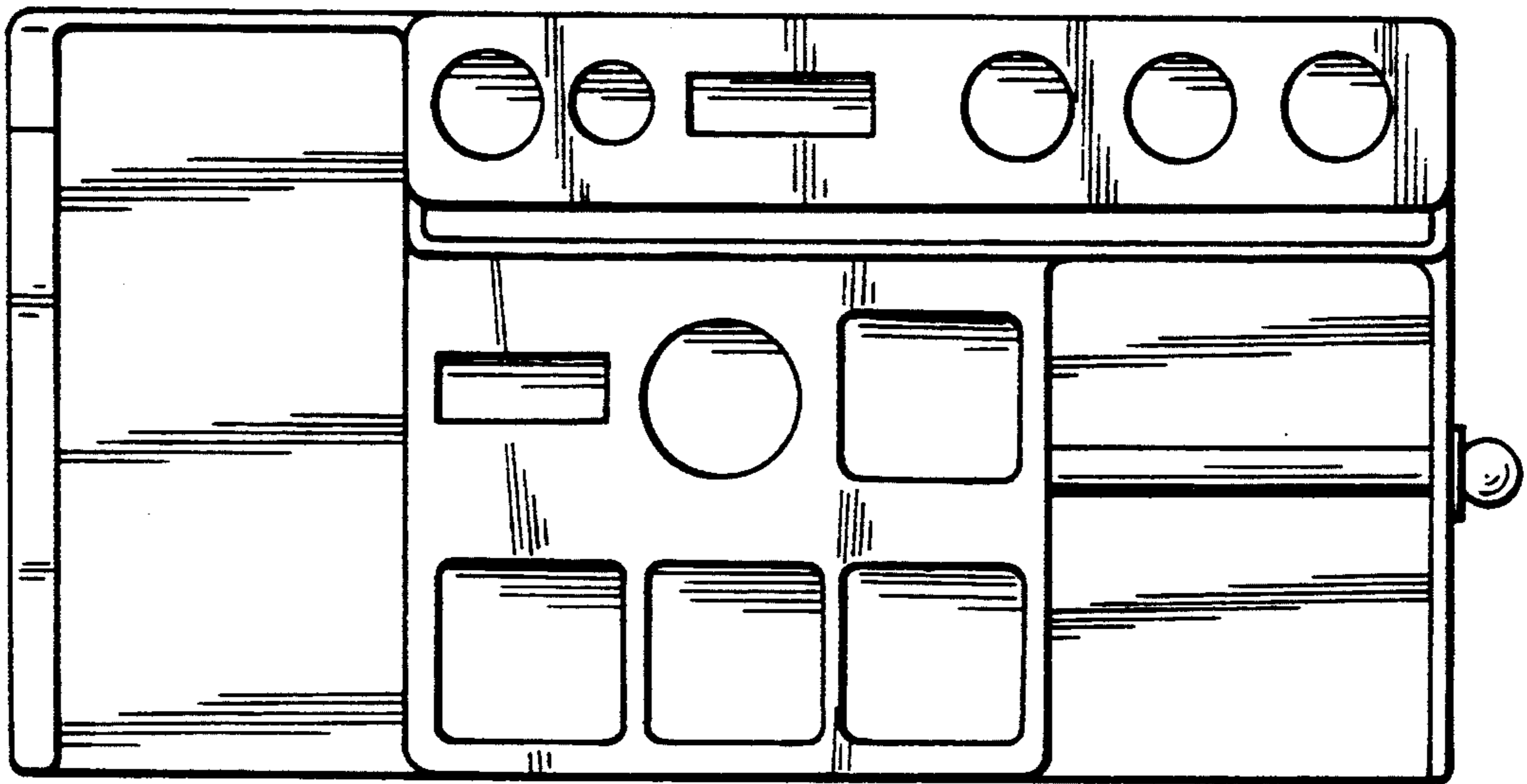
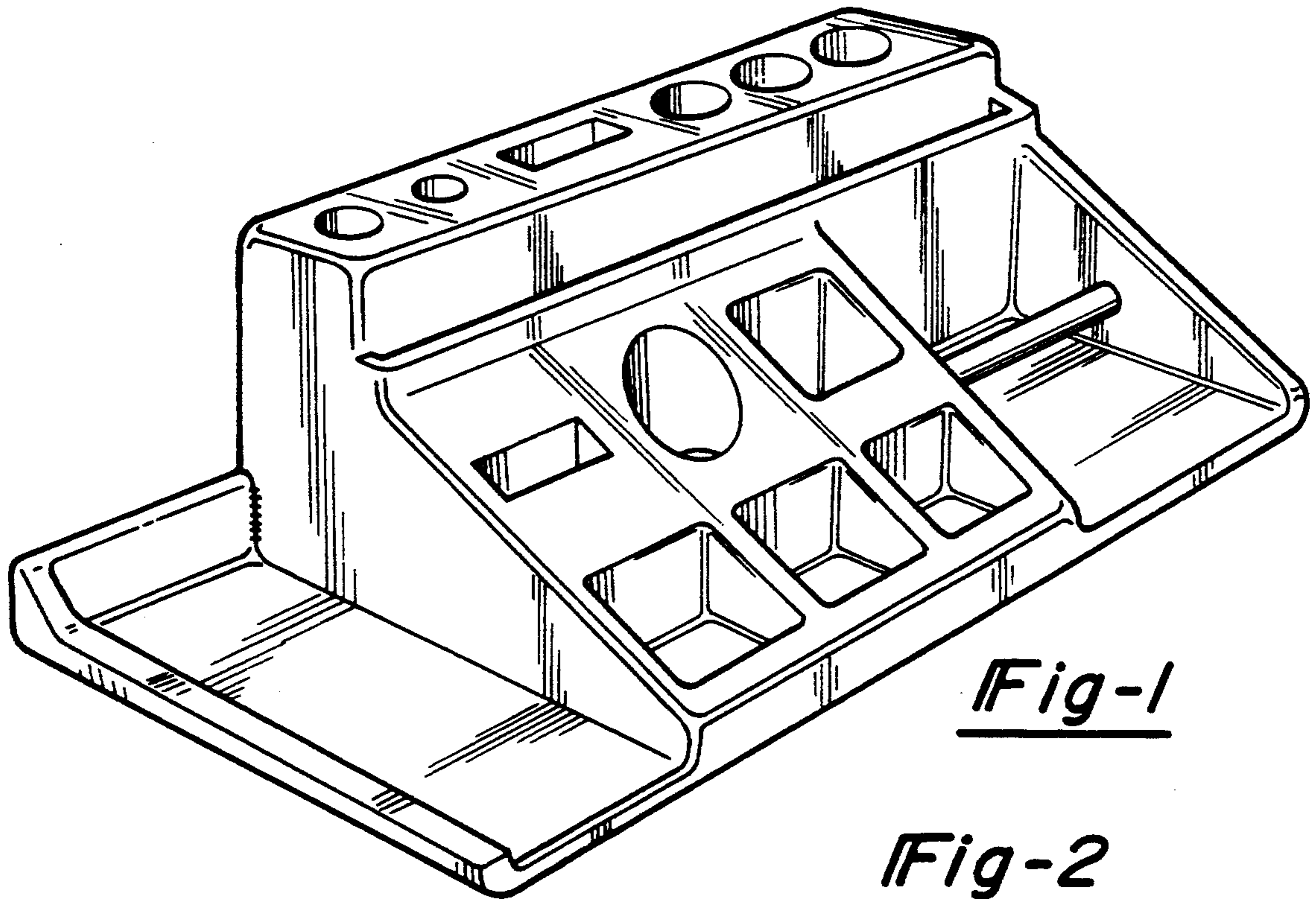
[57] **CLAIM**

The ornamental design for an organizer for assorted office articles, as shown.

DESCRIPTION

FIG. 1 is a top, left front perspective view of an organizer for assorted office articles showing my new design; FIG. 2 is a top plan view; FIG. 3 is a front elevational view; FIG. 4 is a left side elevational view; FIG. 5 is a right side elevational view; FIG. 6 is a rear elevational view; and, FIG. 7 is a bottom plan view.





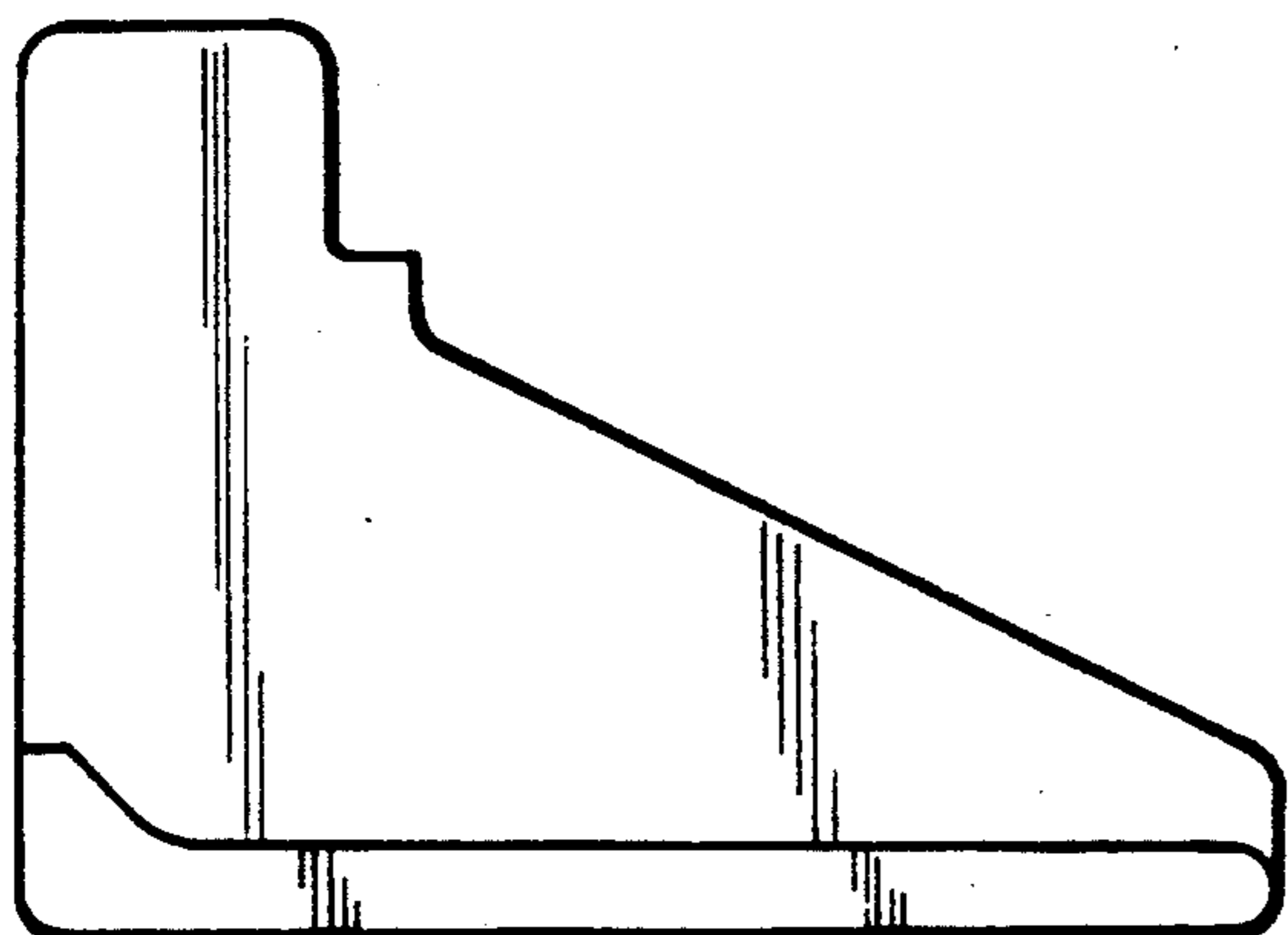


Fig-4

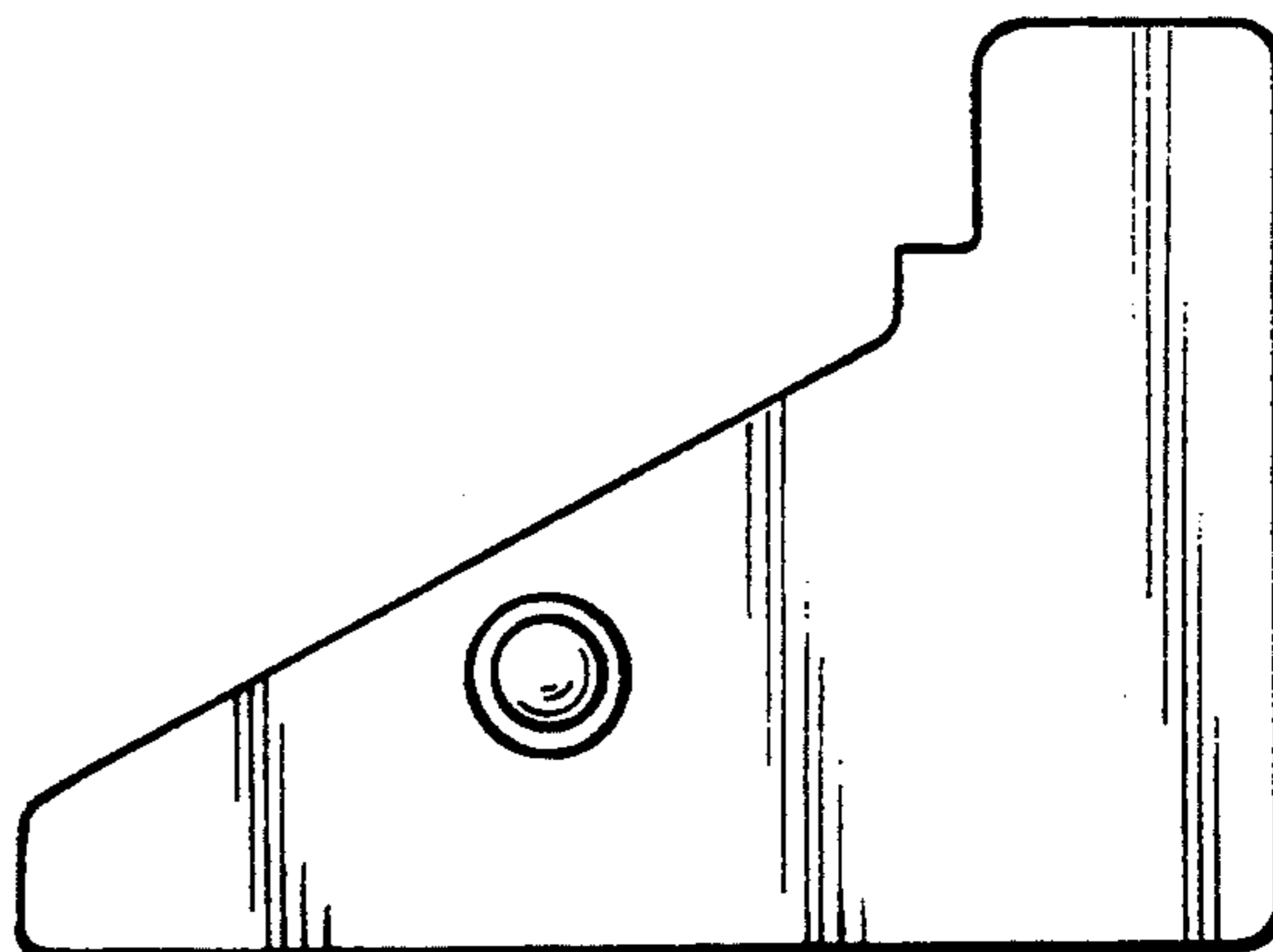


Fig-5

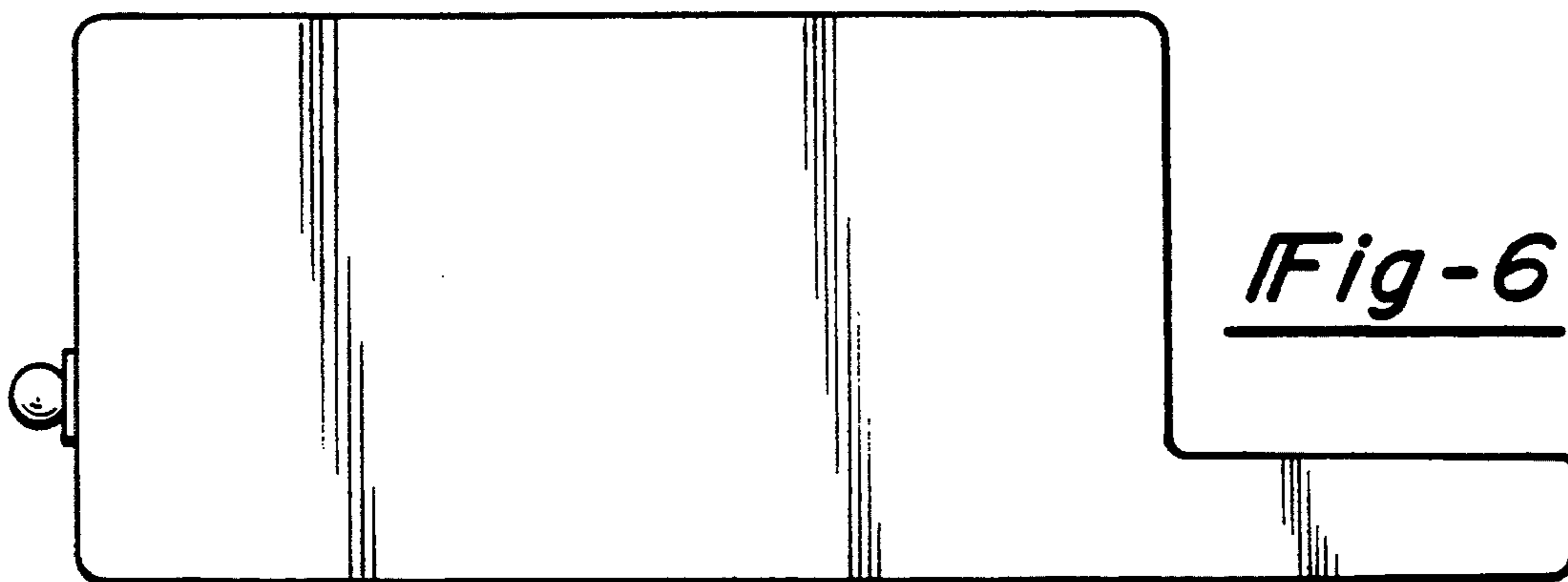


Fig-6

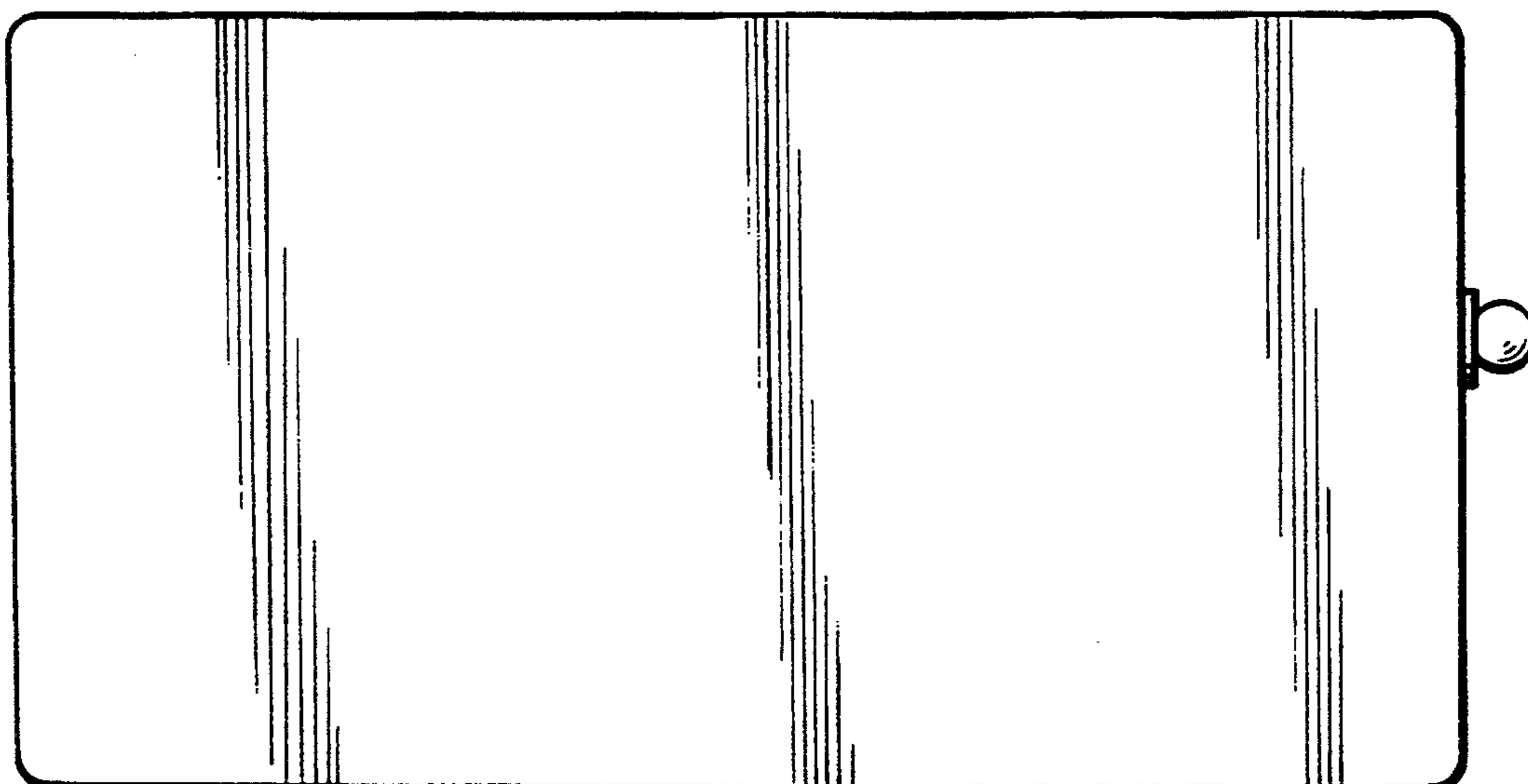


Fig-7