



US00D355207S

United States Patent [19]

[11] Patent Number: **Des. 355,207**

Beller

[45] Date of Patent: **** Feb. 7, 1995**

[54] **ELECTROMAGNETIC PICKUP FOR STRINGED INSTRUMENT**

[75] Inventor: **Kevin J. Beller, Santa Barbara, Calif.**

[73] Assignee: **Carter Duncan Corp., Santa Barbara, Calif.**

[**] Term: **14 Years**

[21] Appl. No.: **10,000**

[22] Filed: **Jun. 24, 1993**

[52] U.S. Cl. **D17/20**

[58] Field of Search **D17/14, 15, 18, 19, D17/20, 21; 84/723-742**

[56] **References Cited**

U.S. PATENT DOCUMENTS

D. 287,602	1/1987	Smith et al.	D17/20
D. 319,456	8/1991	Fender	D17/20
2,392,937	1/1946	McDaniel	84/726
4,133,243	1/1979	DiMarcio	84/727
5,290,968	3/1994	Mirigliano et al.	84/726

Primary Examiner—Bernard Ansher
Assistant Examiner—Adir Aronovich
Attorney, Agent, or Firm—Gene W. Arant

[57] **CLAIM**

The ornamental design for electromagnetic pickup for stringed instrument, as shown and described.

DESCRIPTION

FIG. 1 is a perspective view of the bottom side of my new pickup;
FIG. 2 is a perspective view of the top side of my pickup;
FIG. 3 is a side elevation view of the pickup in its normal upright position;
FIG. 4 is a bottom plan view;
FIG. 5 is a side elevation view of the other side of the pickup when turned upside-down;
FIG. 6 is a top plan view;
FIG. 7 is an end view of one end; and,
FIG. 8 is an end view of the other end from which an output cable extends.

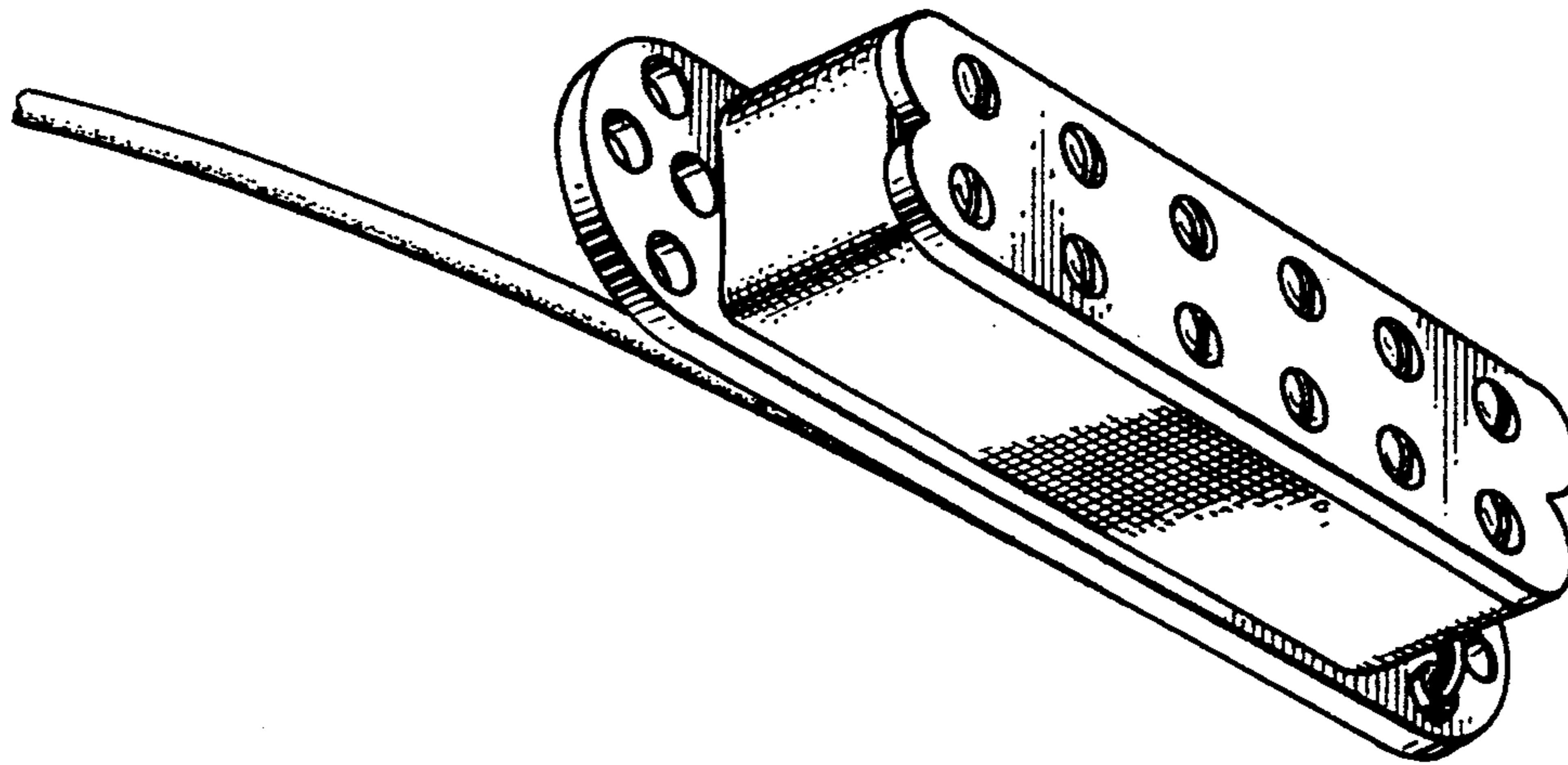


Fig. 1.

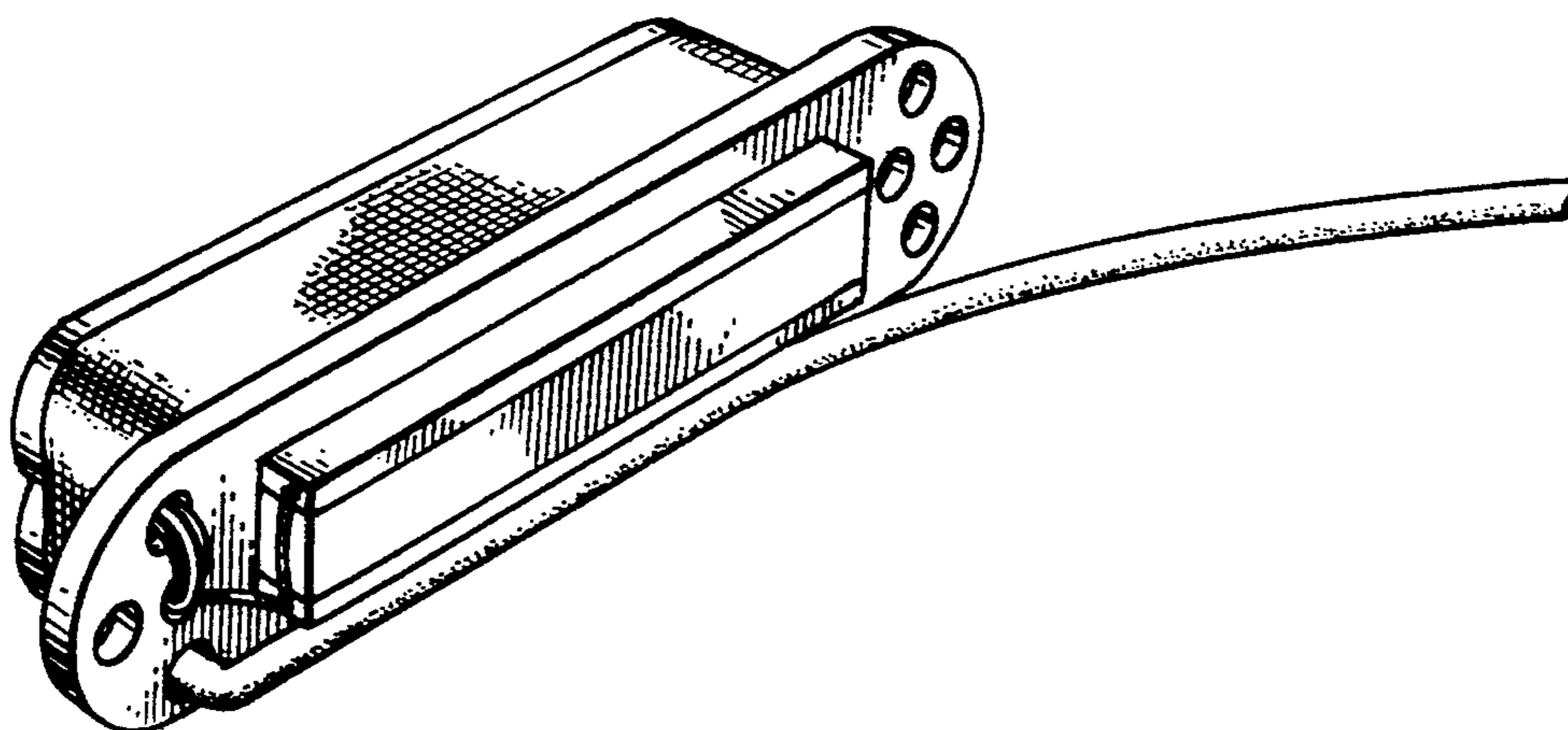


Fig. 7.

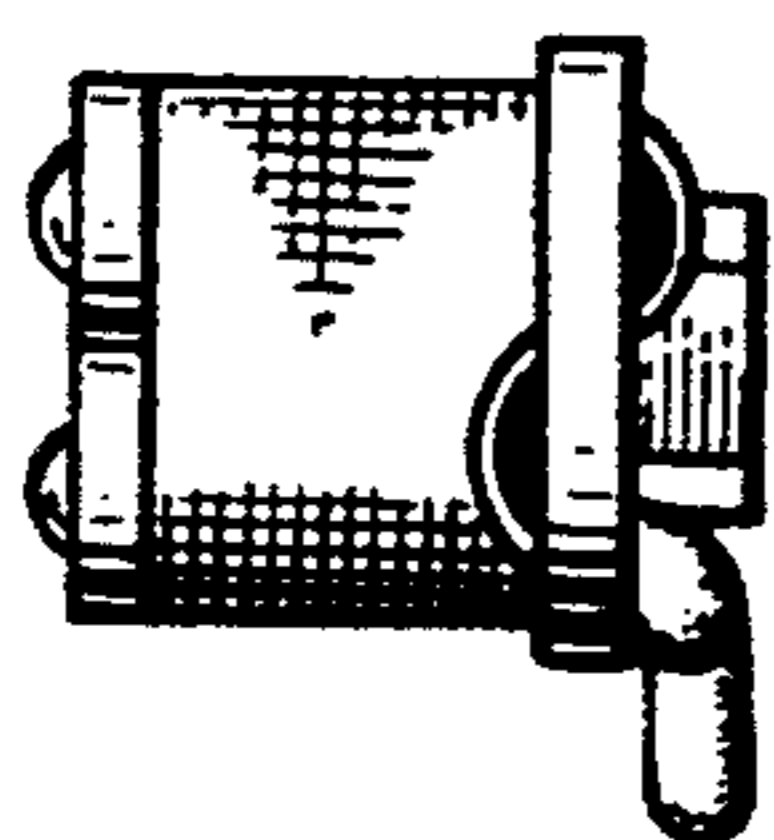


Fig. 8.

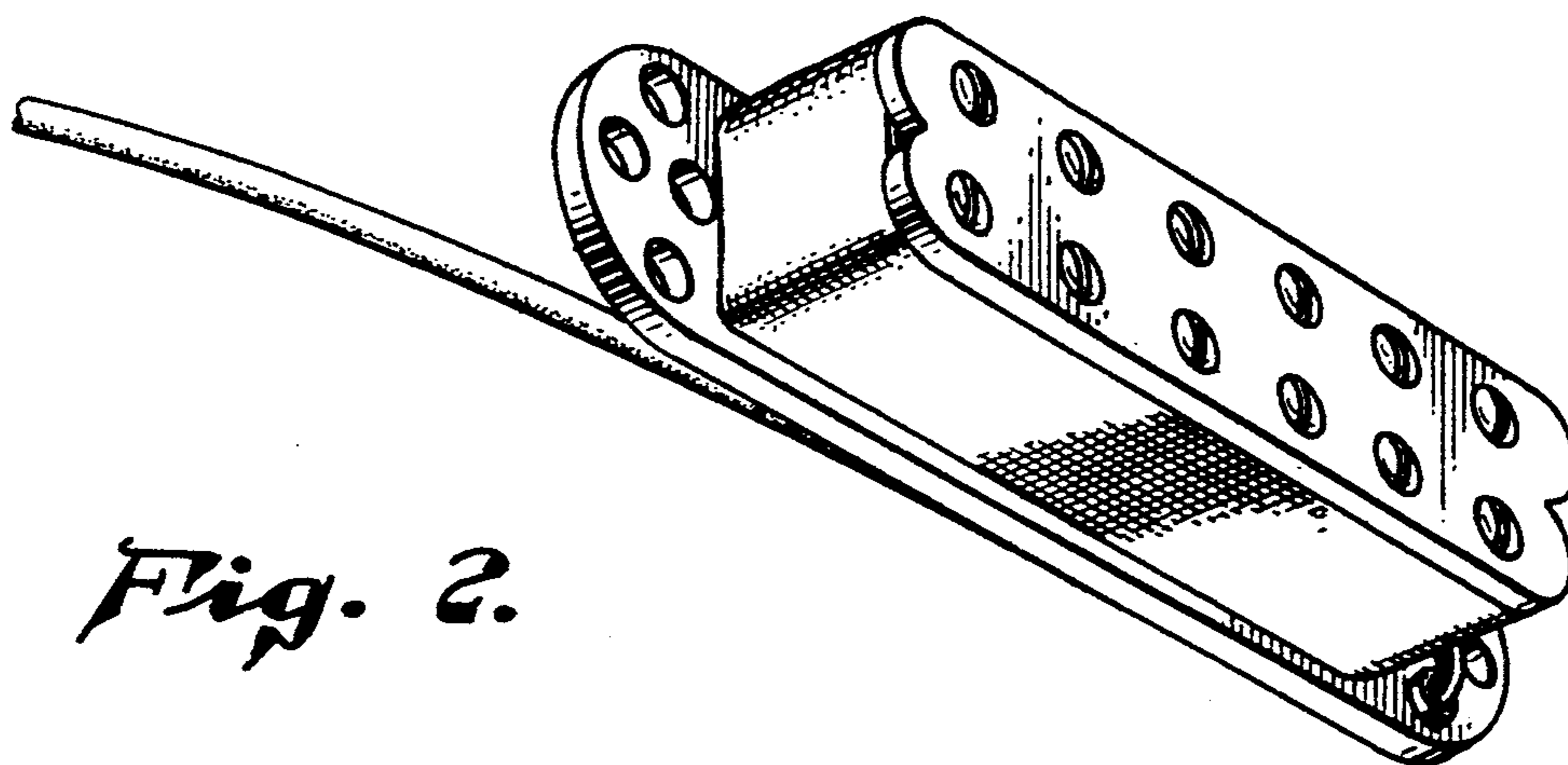
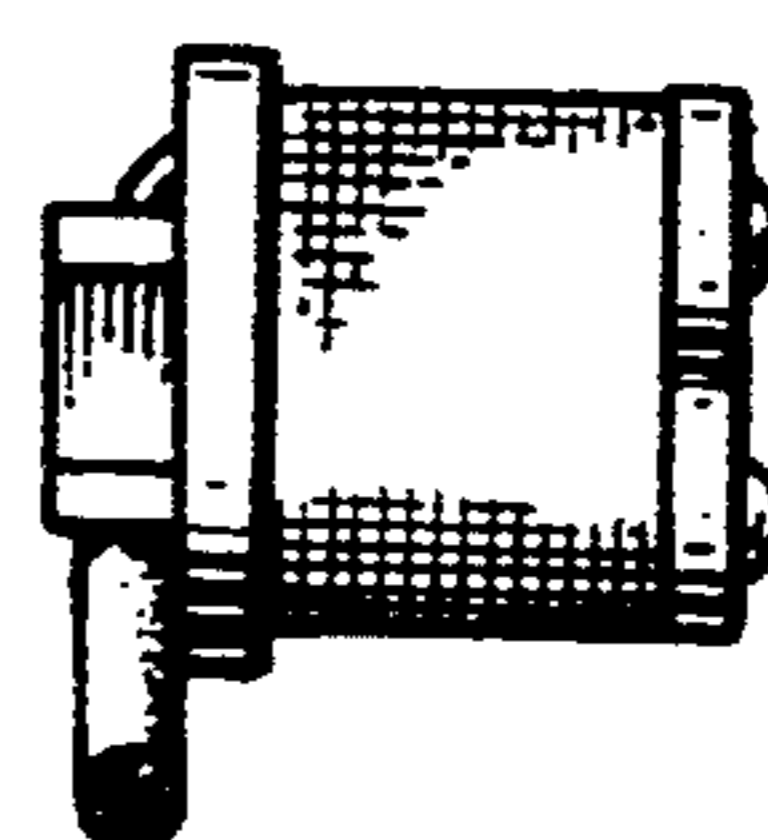


Fig. 2.

Fig. 3.

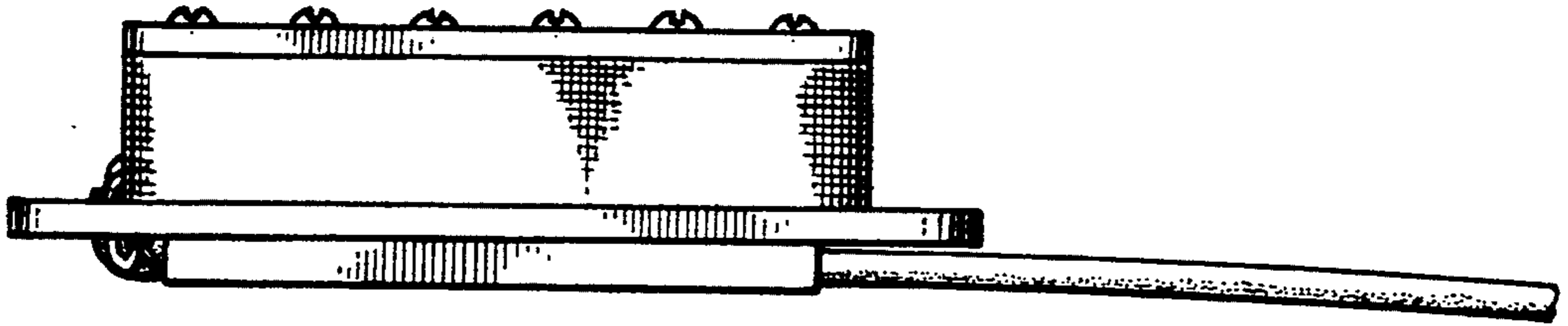


Fig. 4.

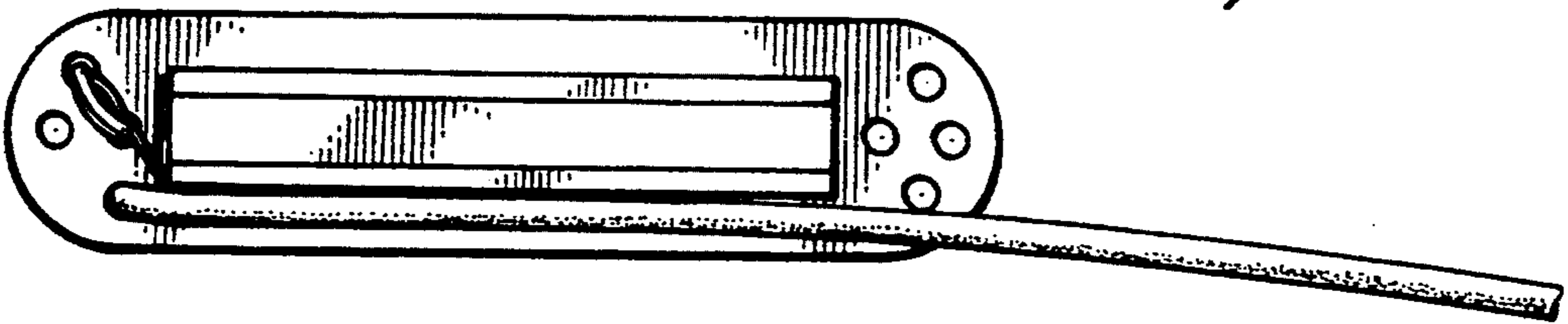


Fig. 5.

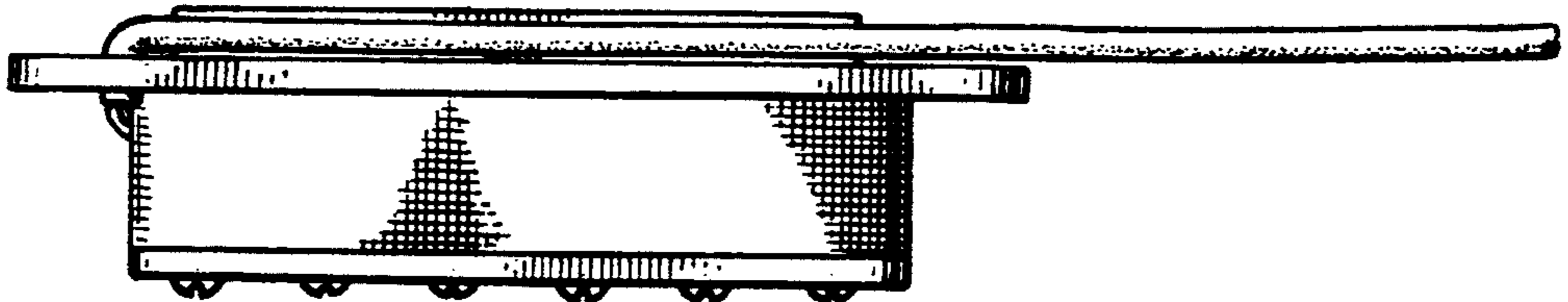


Fig. 6.

