



US00D355205S

United States Patent [19] Yokoi

[11] Patent Number: **Des. 355,205**

[45] Date of Patent: **** Feb. 7, 1995**

[54] VIDEO CAMERA

[75] Inventor: **Mitsuo Yokoi, Nara, Japan**

[73] Assignee: **Sharp Kabushiki Kaisha, Osaka, Japan**

[**] Term: **14 Years**

[21] Appl. No.: **19,411**

[22] Filed: **Mar. 1, 1994**

[30] Foreign Application Priority Data

Sep. 30, 1993 [JP] Japan 5-29902

[52] U.S. Cl. **D16/202; D14/107**

[58] Field of Search **D16/200-205; 348/207, 209, 373-376, 14, 15; 379/53; 354/81, 293, 288; 358/909.1, 906**

[56] References Cited

U.S. PATENT DOCUMENTS

D. 307,029	4/1990	Tominaga et al.	D16/203
D. 339,817	9/1993	Fukuda et al.	D16/230
D. 343,850	2/1994	Saeki et al.	D16/234
4,890,314	12/1989	Judd et al.	379/53
4,893,326	6/1990	Duran et al.	379/53
5,236,199	8/1993	Thompson	348/14

OTHER PUBLICATIONS

Popular Photography, May 1990 p. 56 (Olympus VC-102) Located in PTO Scientific Library.

Video Magazine, Jan. 1993 p. 46 (Sony's LCD projector) Located in PTO Scientific Library.

Primary Examiner—Bernard Ansher

Assistant Examiner—Adir Aronovich

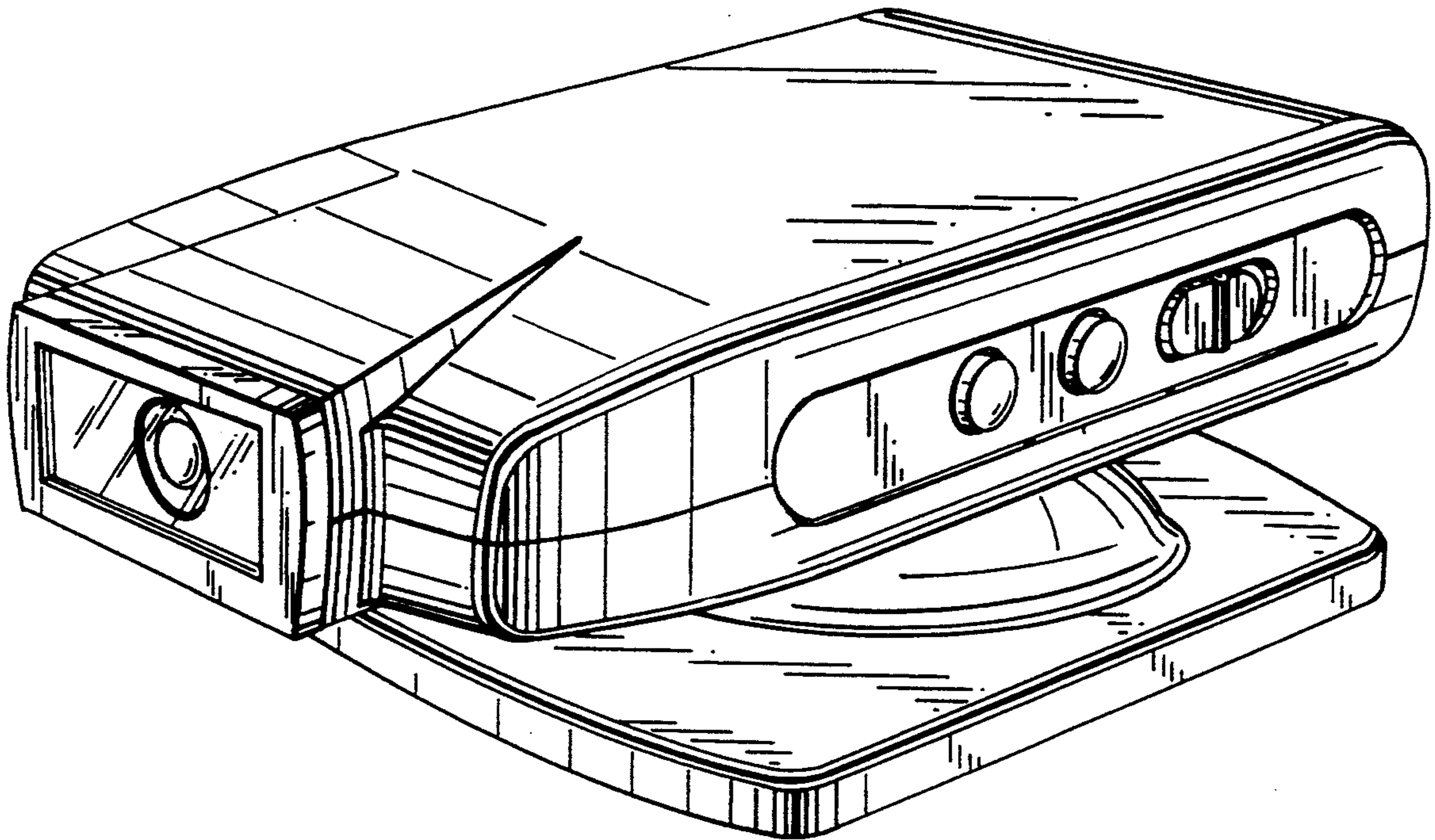
Attorney, Agent, or Firm—Nixon & Vanderhye

[57] CLAIM

The ornamental design for a video camera, as shown and described.

DESCRIPTION

FIG. 1 is a top, front and right side perspective view of a video camera according to my design; FIG. 2 is a front elevational view thereof; FIG. 3 is a top plan view thereof; FIG. 4 is a right side elevational view thereof; FIG. 5 is a left side elevational view thereof; FIG. 6 is a rear elevational view thereof; FIG. 7 is a bottom plan view thereof; and, FIG. 8 is a view of the video camera similar to FIG. 1 on a reduced scale and illustrated in its use environment in connection with a computer, the computer, the display screen for the computer and the keyboard being schematically represented by the dot-dashed lines and forming no part of the present invention.



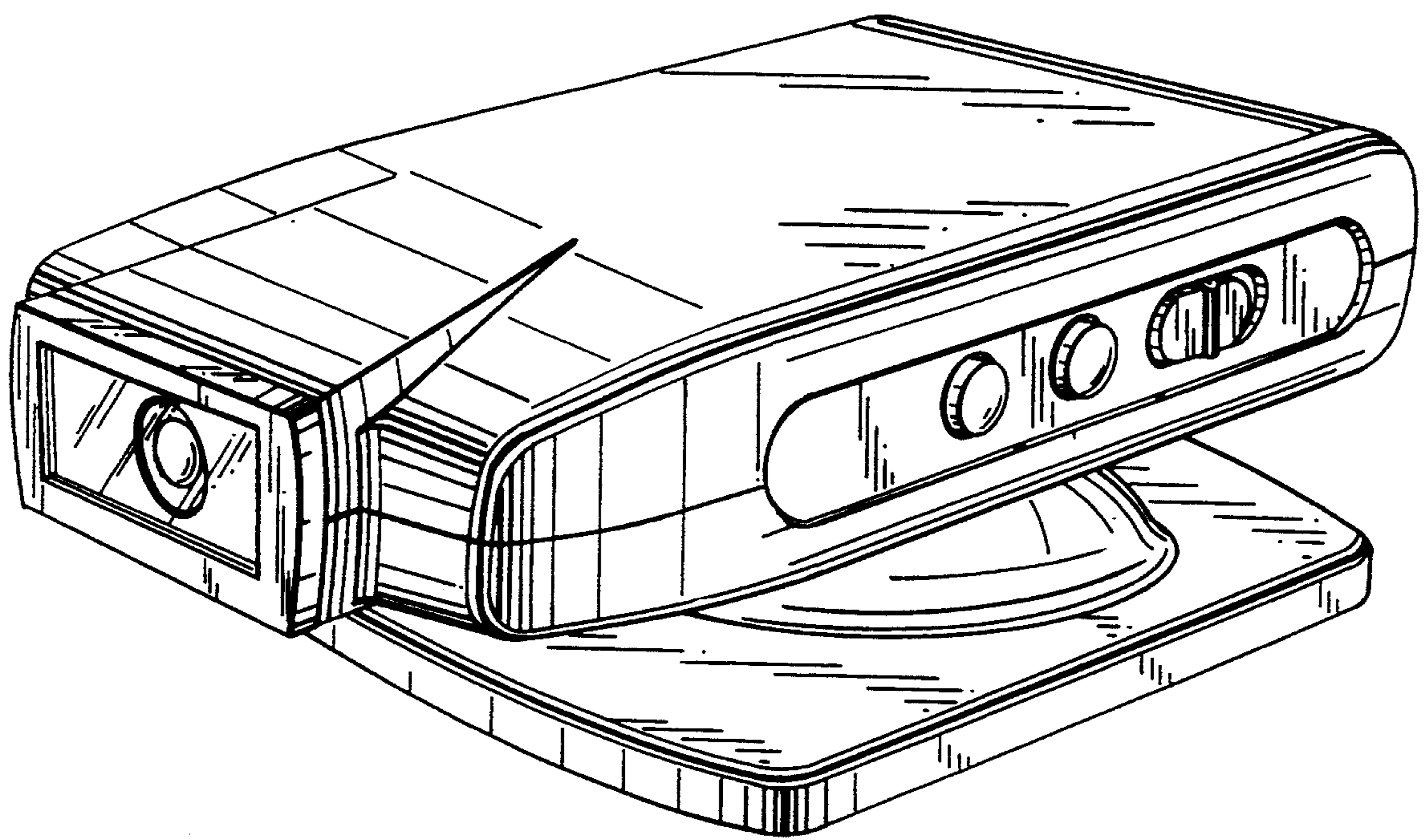


fig. 1

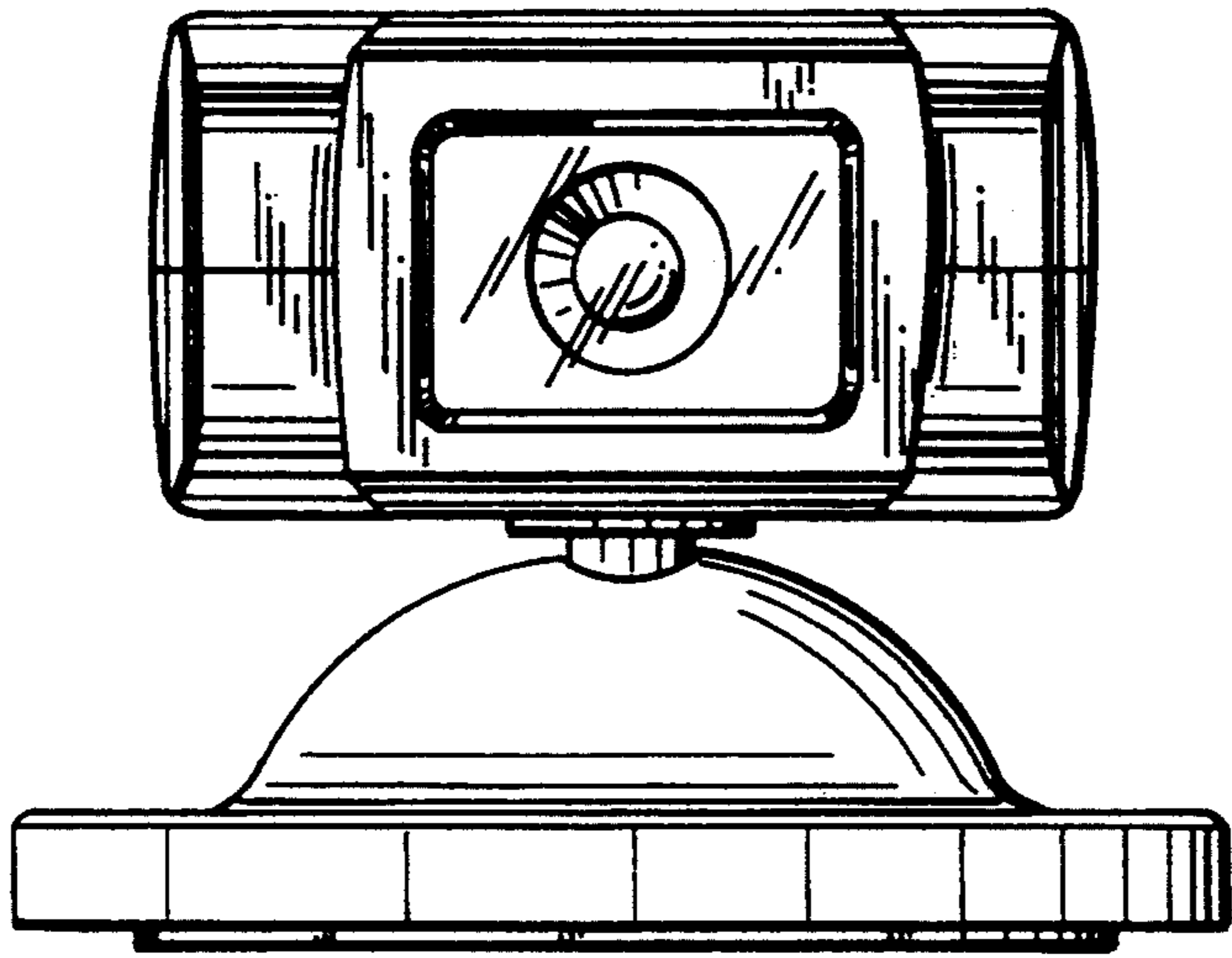


fig. 2

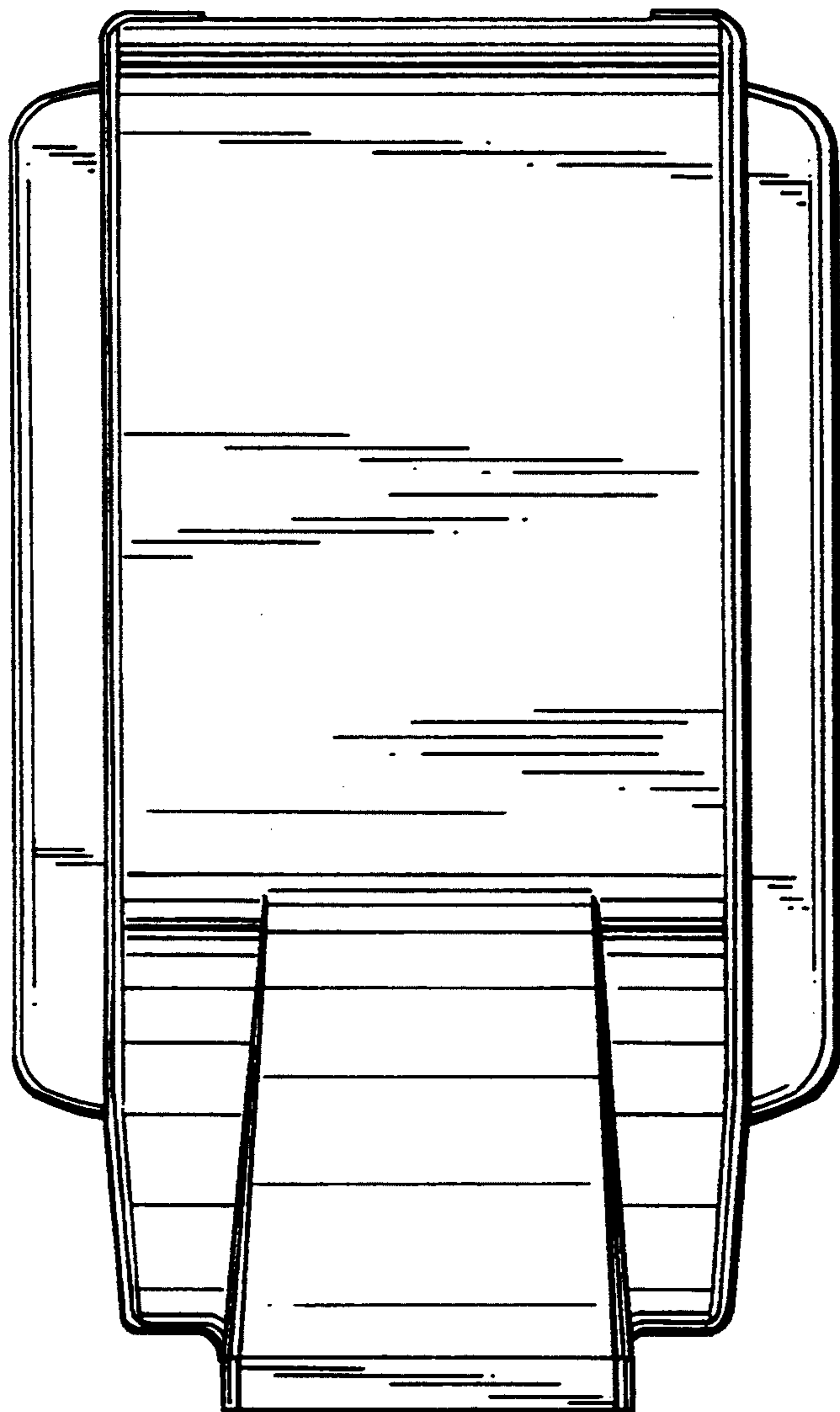


fig. 3

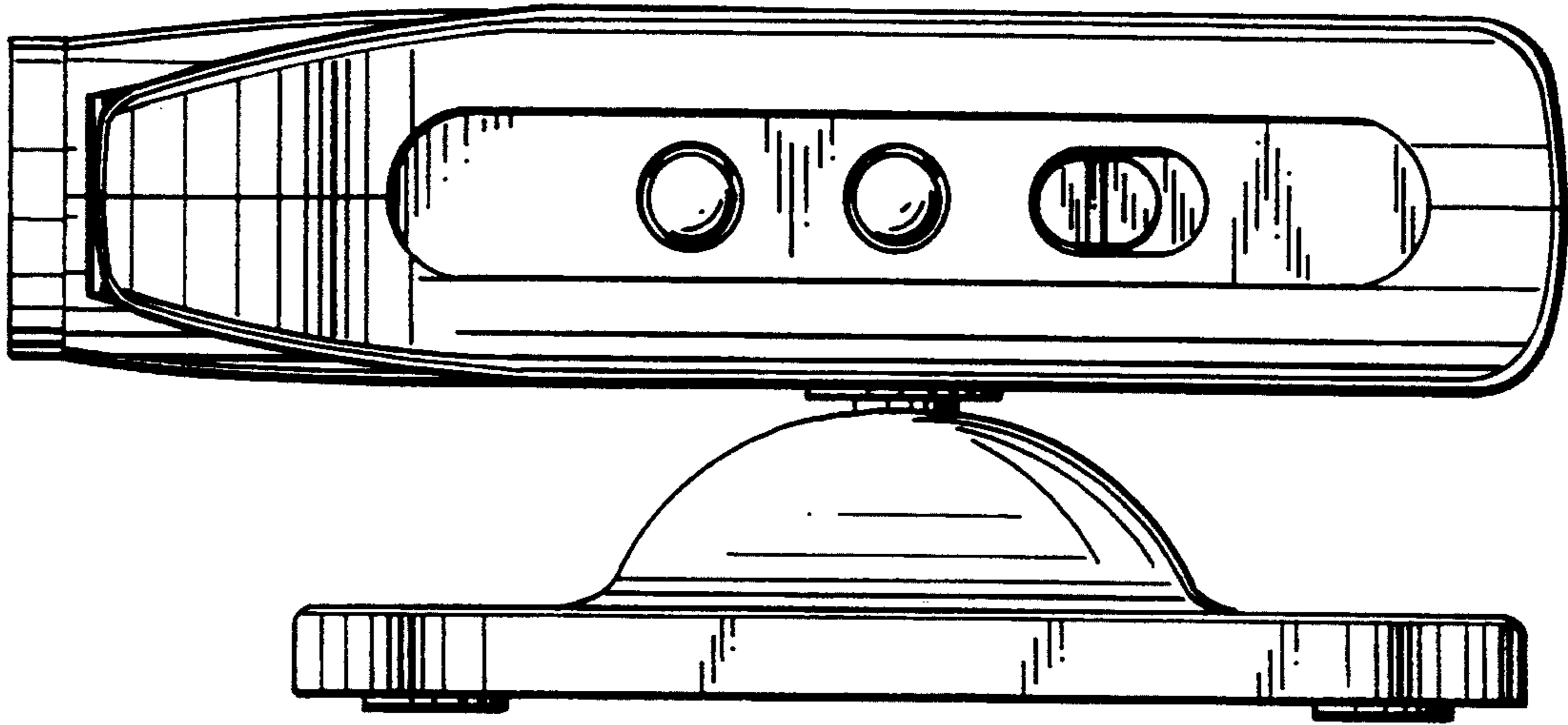


fig. 4

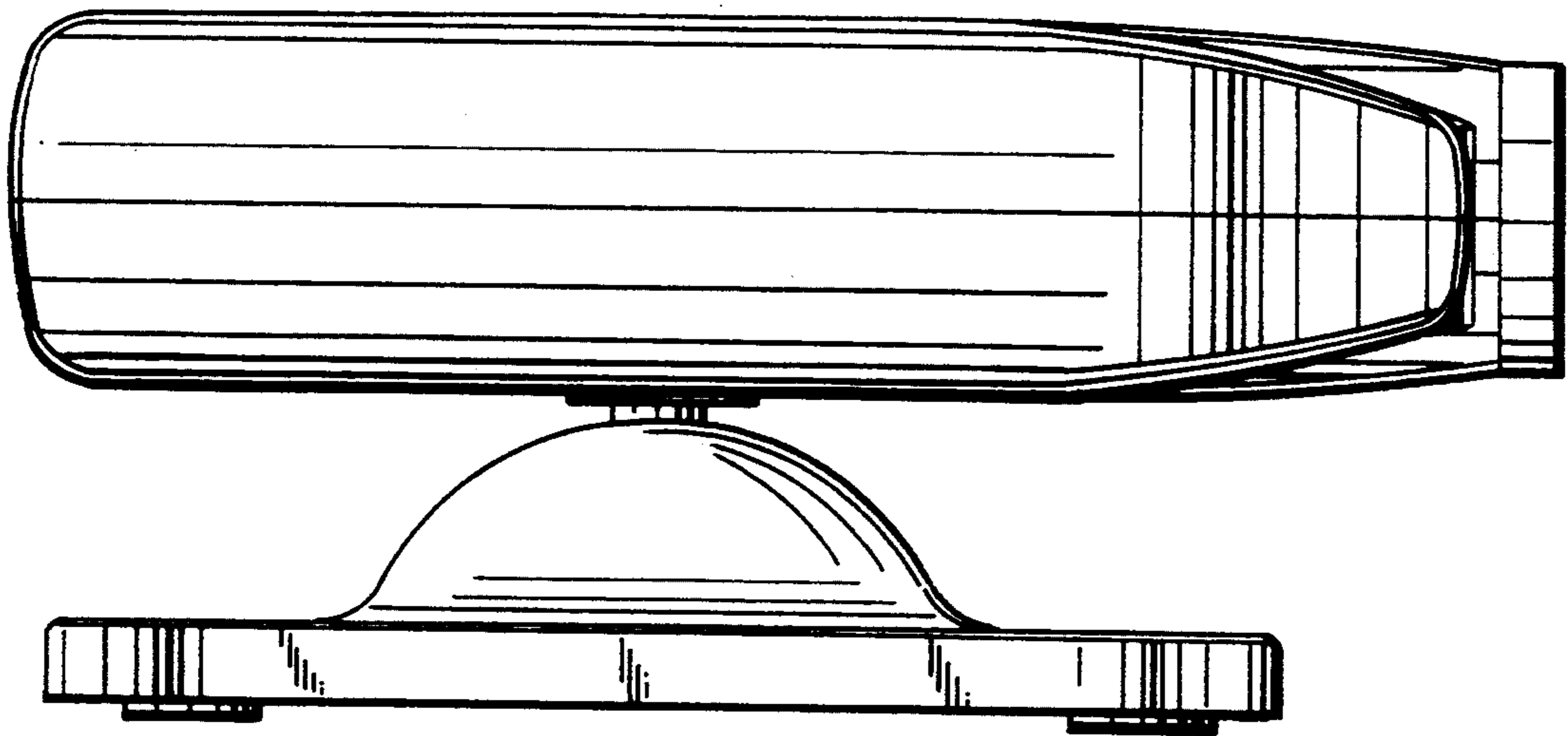


fig. 5

fig. 6

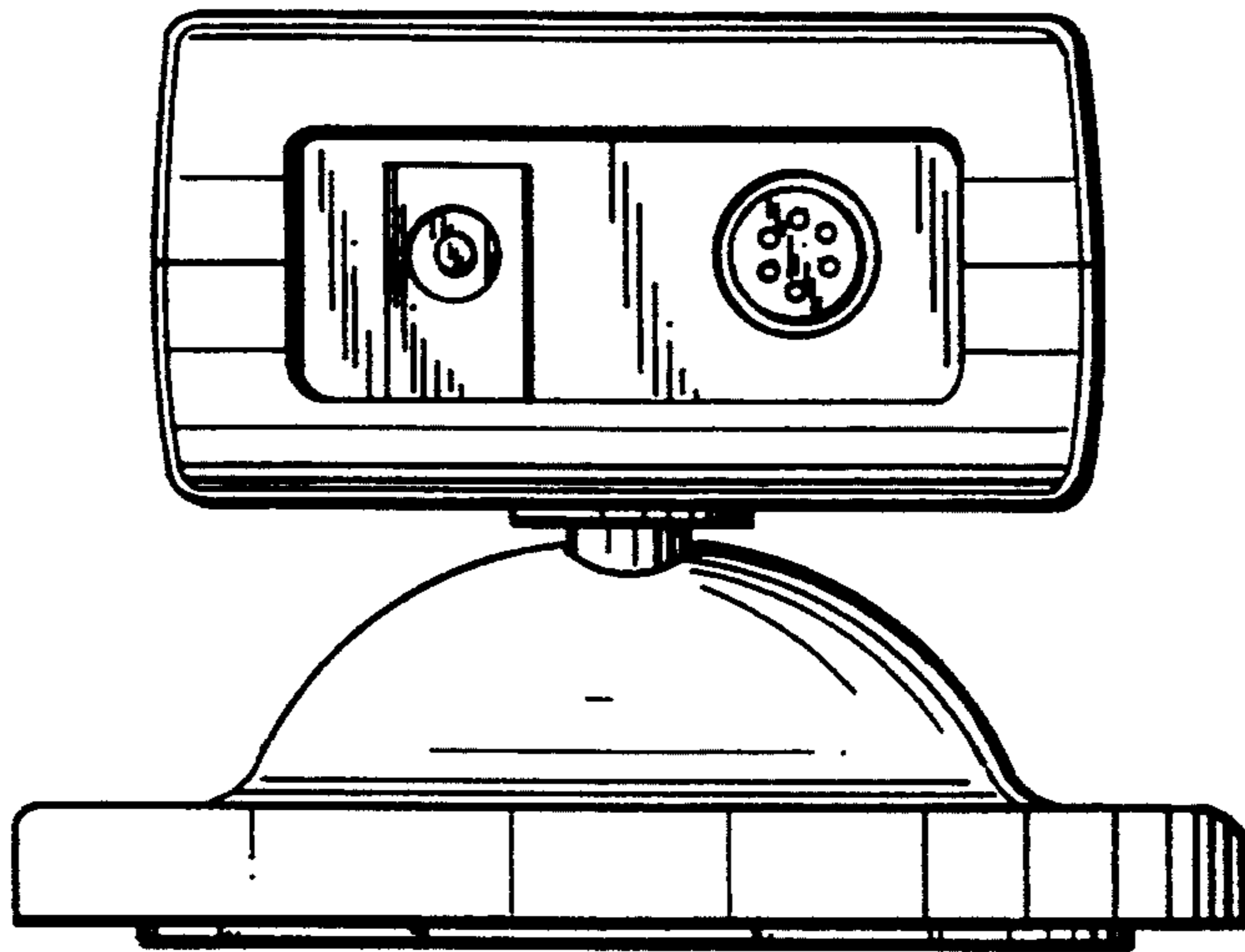


fig. 7

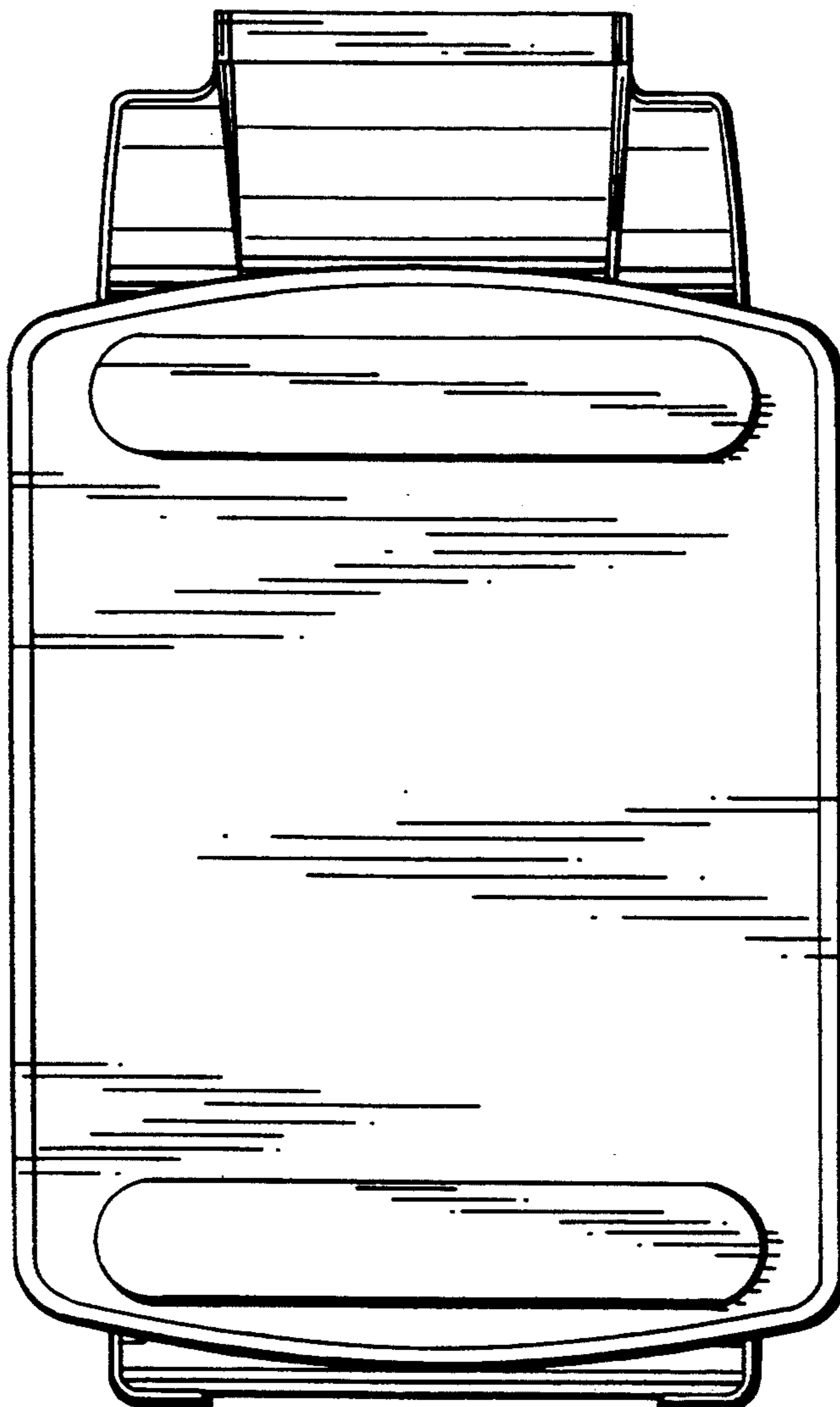


fig. 8

