



US00D355204S

# United States Patent [19]

[11] Patent Number: **Des. 355,204**

Miyahara

[45] Date of Patent: **\*\* Feb. 7, 1995**

[54] **VIDEO CAMERA WITH VIDEO TAPE RECORDER**

[75] Inventor: **Kazuhiko Miyahara, Yokohama, Japan**

[73] Assignee: **Canon Kabushiki Kaisha, Tokyo, Japan**

[\*] Notice: **The portion of the term of this patent subsequent to Aug. 23, 2008 has been disclaimed.**

[\*\*] Term: **14 Years**

[21] Appl. No.: **12,479**

[22] Filed: **Sep. 3, 1993**

[30] **Foreign Application Priority Data**

Mar. 8, 1993 [JP] Japan ..... 5-6604

[52] U.S. Cl. .... **D16/202**

[58] Field of Search ..... **D16/200-206, D16/208; 352/34, 242, 243; 348/373-376; 354/82, 288**

[56] **References Cited**

**U.S. PATENT DOCUMENTS**

- D. 289,645 5/1987 Kondo ..... D14/78
- D. 316,419 4/1991 Matsumura ..... D16/202
- D. 316,420 4/1991 Tanaka ..... D16/202
- D. 322,266 12/1991 Ichiyoshi ..... D16/202
- D. 322,267 12/1991 Matsumura ..... D16/202

- D. 322,448 12/1991 Kondo ..... D16/202
- D. 323,841 2/1992 Iwama et al. .... D16/202
- D. 327,698 7/1992 Masuda ..... D16/202
- D. 331,767 12/1992 Yoshida ..... D16/202
- D. 331,935 12/1992 Tanaka ..... D16/202
- D. 332,108 12/1992 Kondo ..... D16/202
- D. 336,910 6/1993 Yoshida ..... D16/202
- D. 336,911 6/1993 Masuda ..... D16/202
- D. 337,341 7/1993 Masuda ..... D16/202
- D. 337,597 7/1993 Yoshida ..... D16/202
- D. 341,616 11/1993 Takita et al. .... D16/202
- D. 342,083 12/1993 Kondoh ..... D16/202
- D. 342,960 1/1994 Kurata ..... D16/202
- 5,132,800 7/1992 Wada et al. .... 348/207

*Primary Examiner*—Bernard Ansher  
*Assistant Examiner*—Adir Aronovich  
*Attorney, Agent, or Firm*—Fitzpartick, Cella, Harper & Scinto

[57] **CLAIM**

The ornamental design for a video camera with video tape recorder, as shown and described.

**DESCRIPTION**

FIG. 1 is a front elevational view of a video camera with video tape recorder showing my new design; FIG. 2 is a rear elevational view thereof; FIG. 3 is a top plan view thereof; FIG. 4 is a bottom plan view thereof; FIG. 5 is a left side elevational view thereof; FIG. 6 is a right side elevational view thereof; and, FIG. 7 is a perspective view thereof.

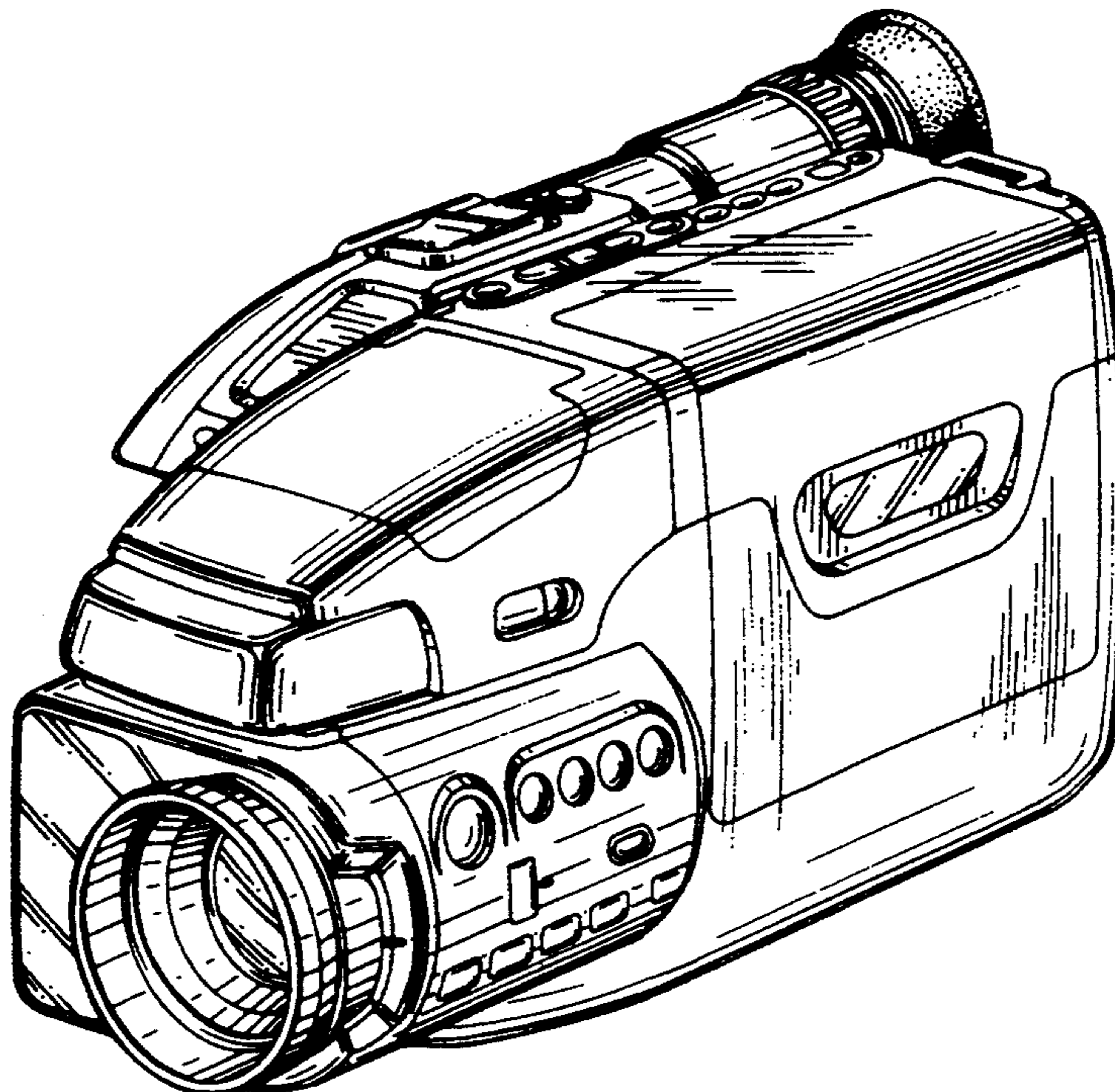


FIG. 1

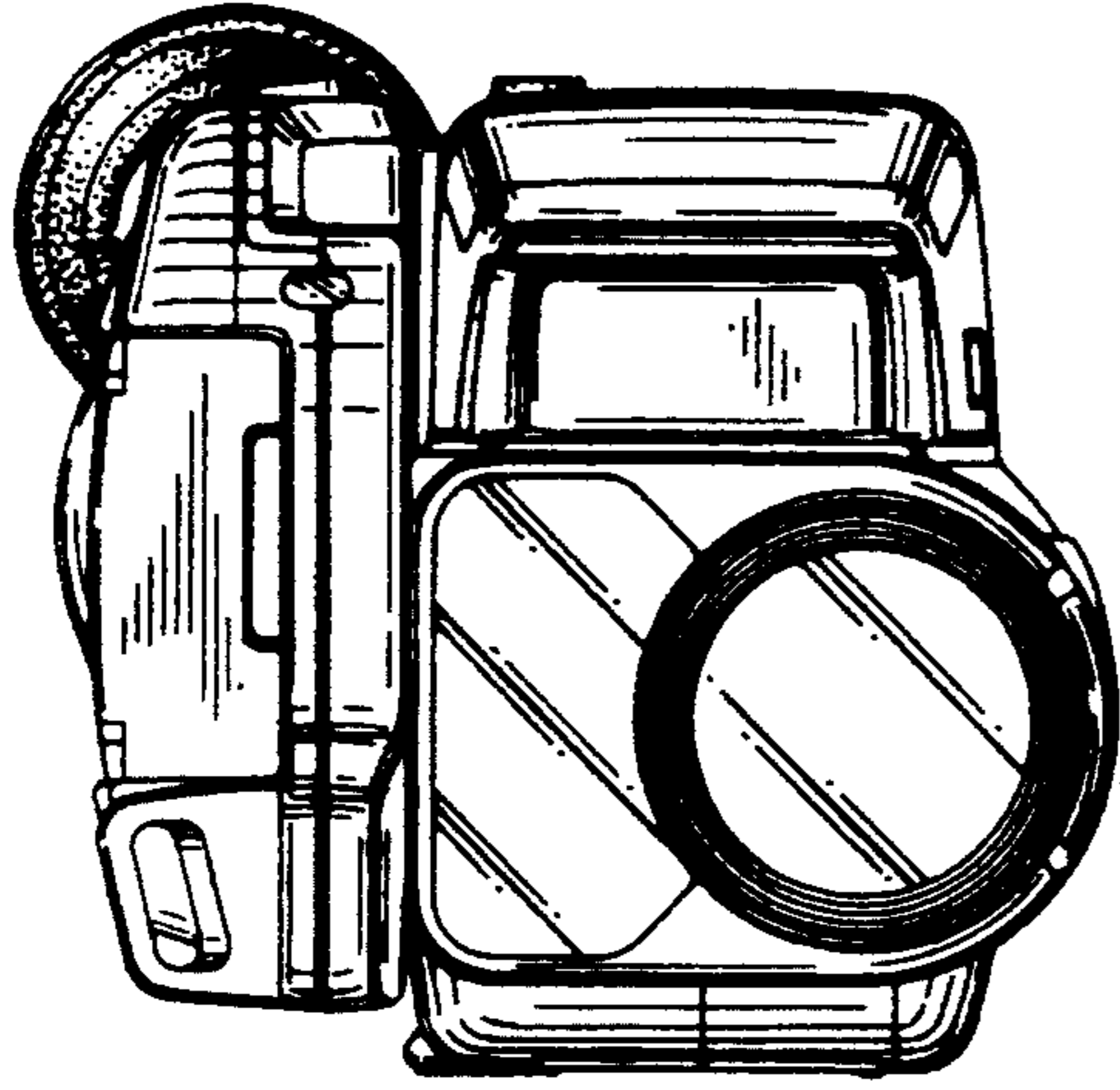


FIG. 2

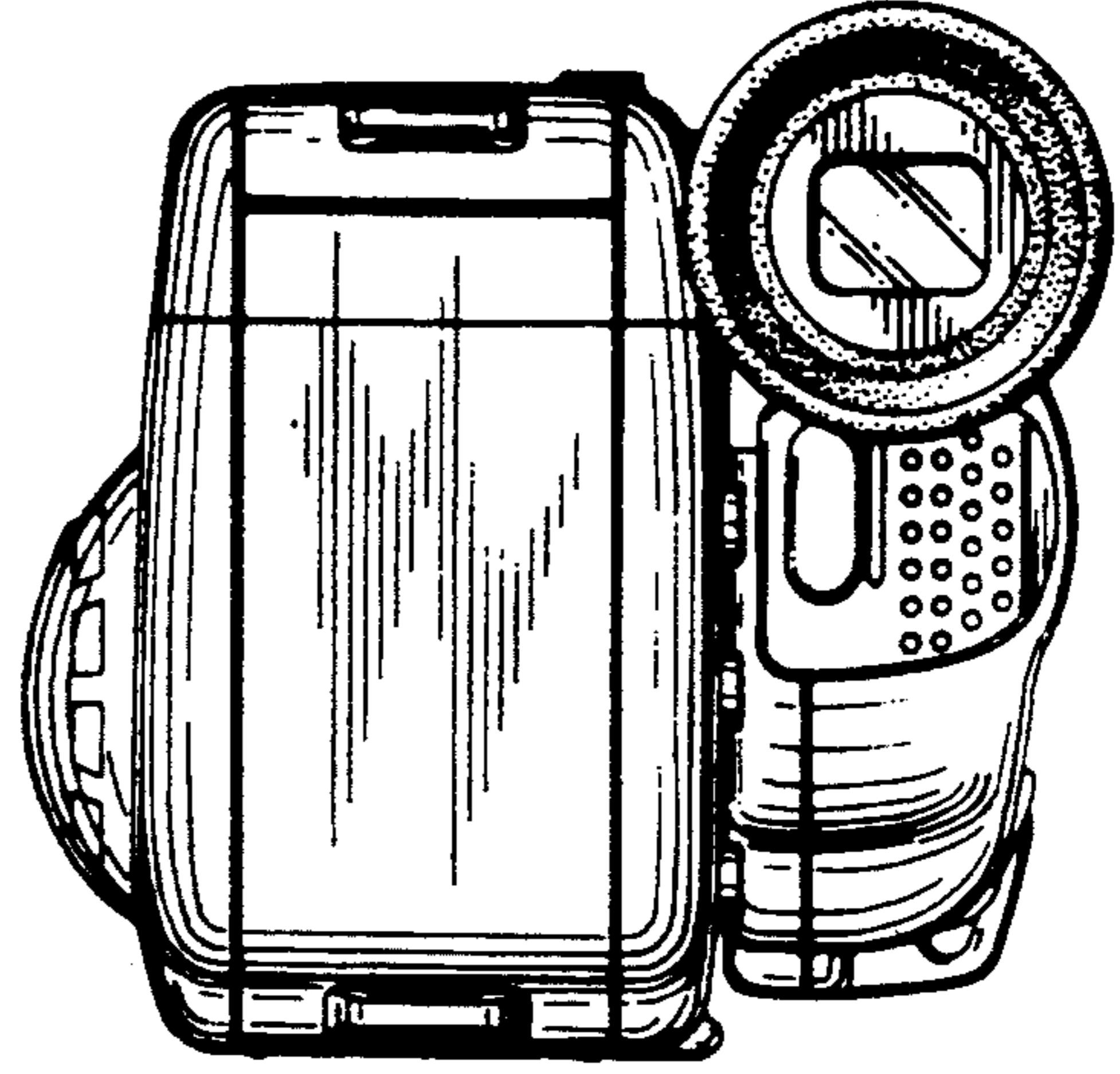


FIG. 3

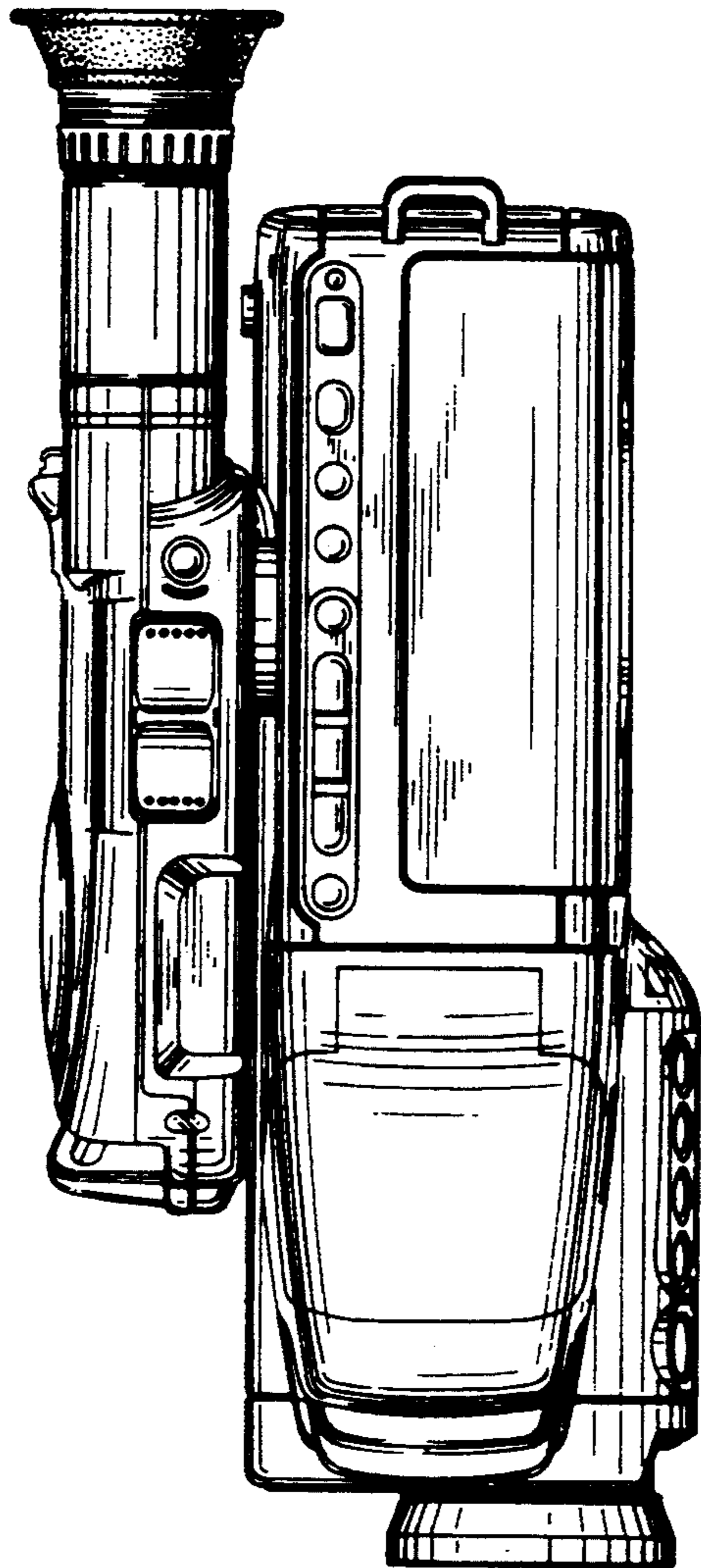


FIG. 4

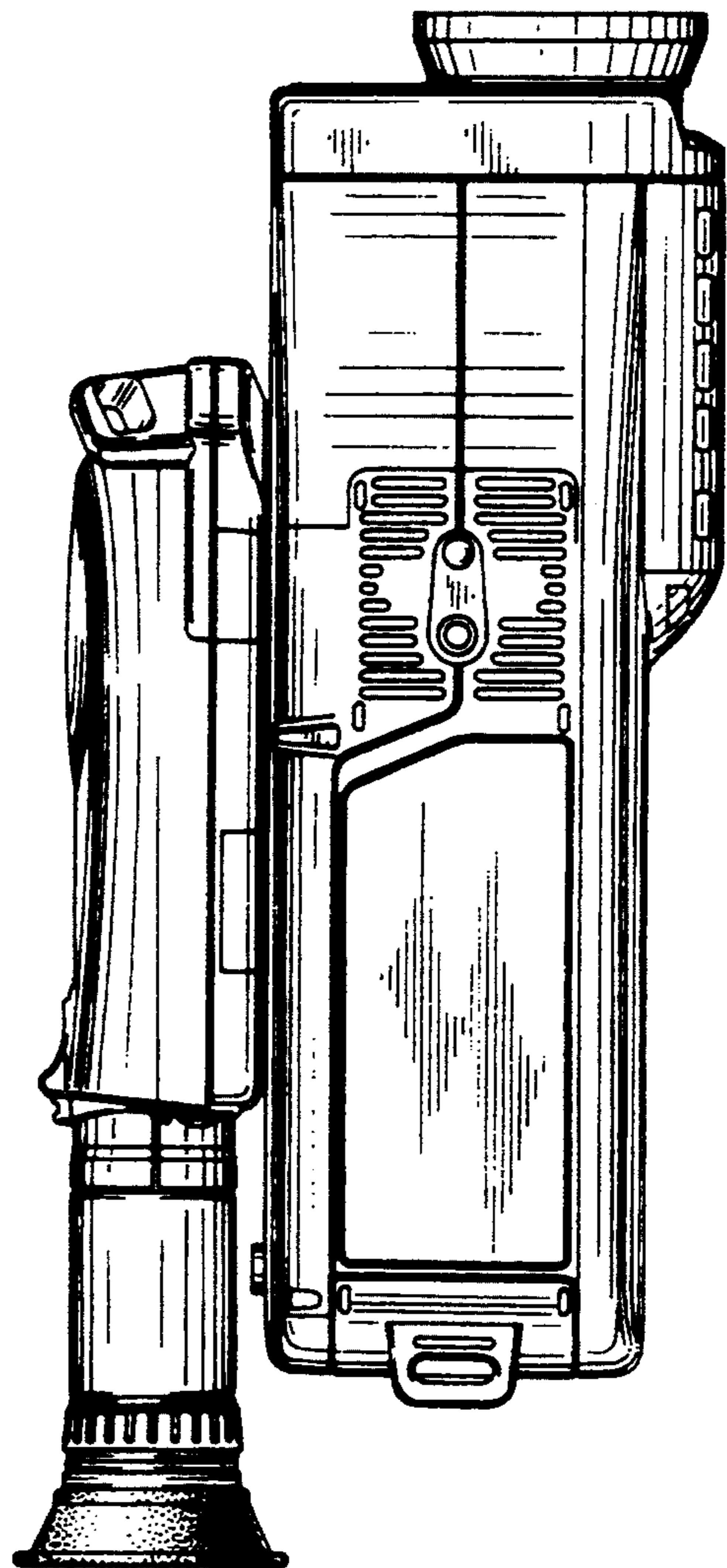


FIG. 5

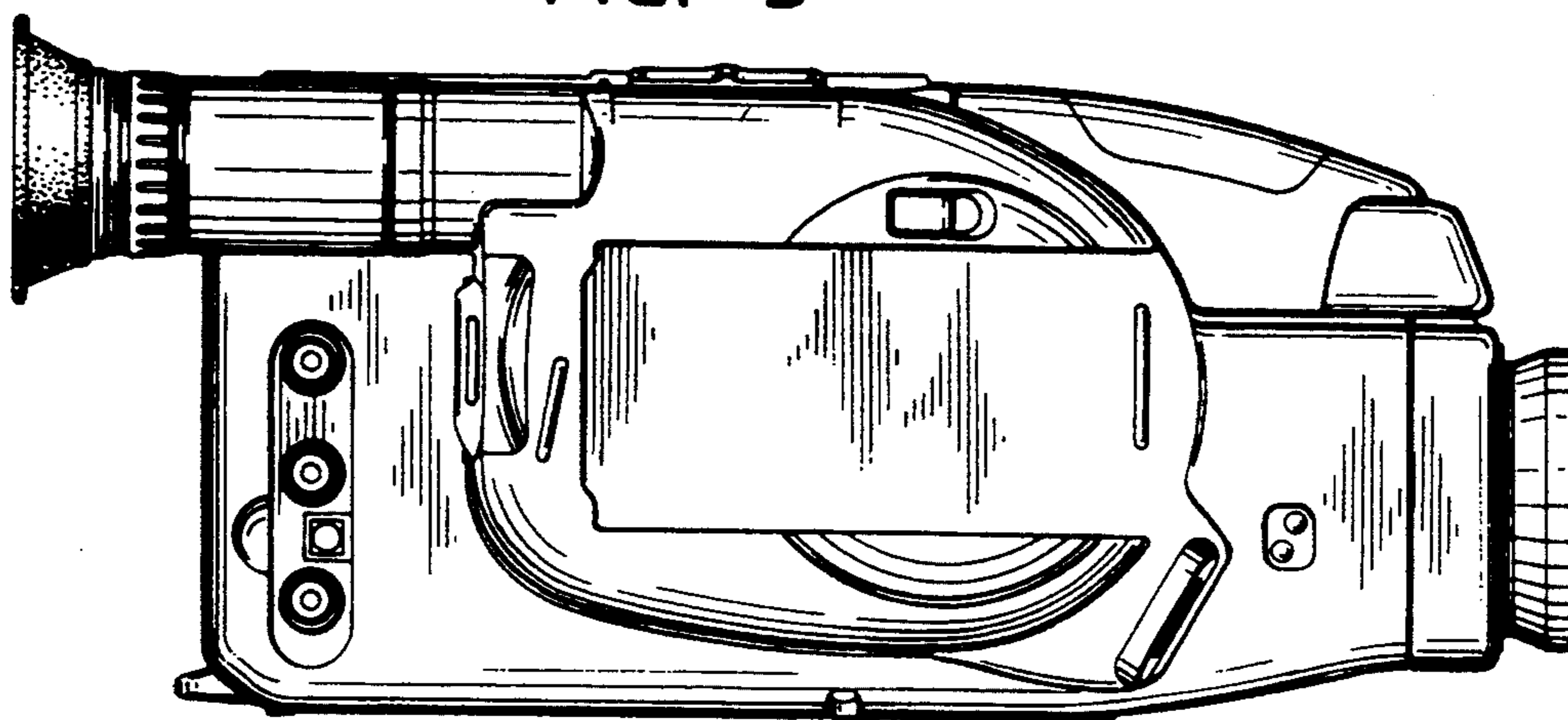


FIG. 6

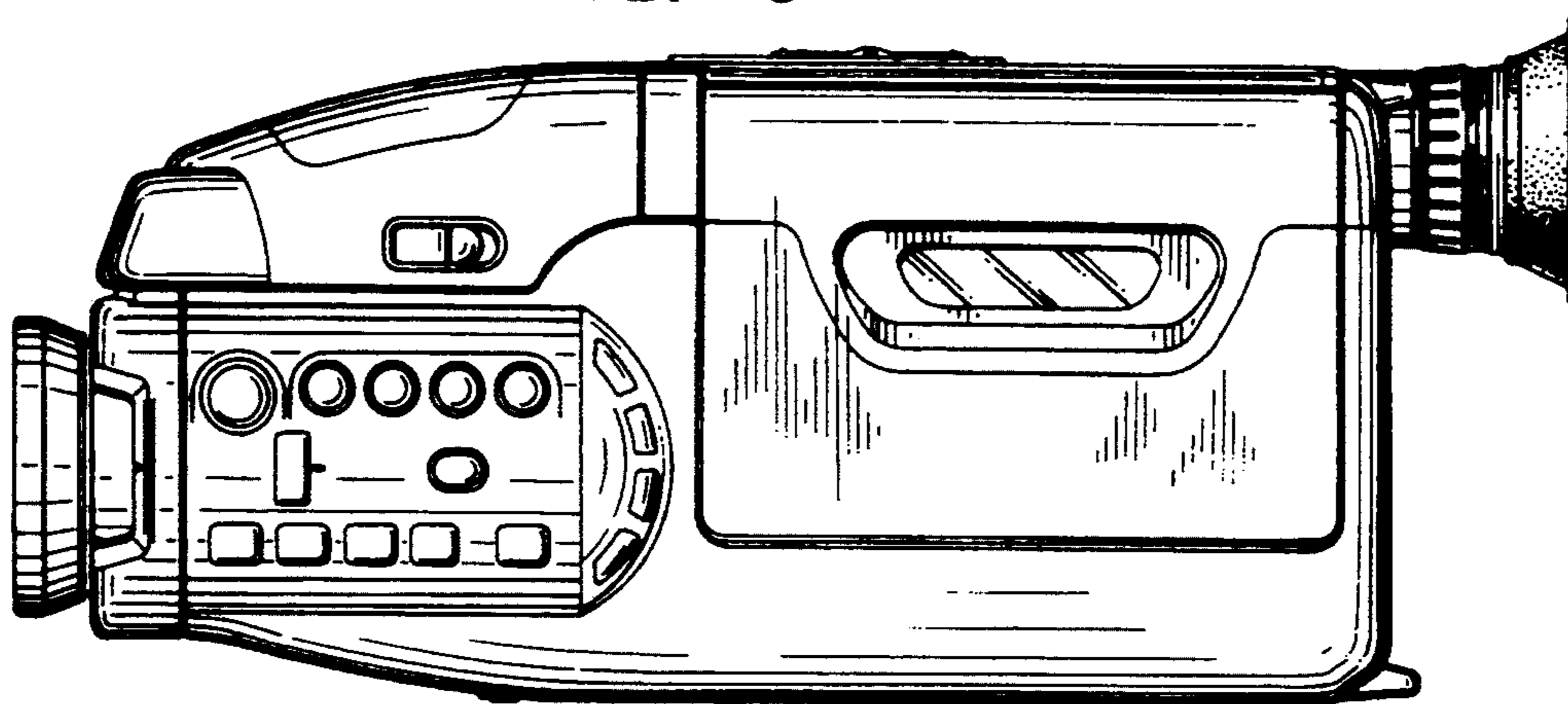


FIG. 7

