



US00D355201S

United States Patent [19]

[11] Patent Number: Des. 355,201

Brickner, Jr.

[45] Date of Patent: ** Feb. 7, 1995

[54] BELT/DISK SANDING MACHINE

- [75] Inventor: **Louis C. Brickner, Jr.**, Pittsburgh, Pa.
- [73] Assignee: **Delta International Machinery Corp.**, Pittsburgh, Pa.
- [**] Term: **14 Years**
- [21] Appl. No.: **14,641**
- [22] Filed: **Nov. 5, 1993**
- [52] U.S. Cl. **D15/125**
- [58] Field of Search **D15/124, 125; 51/3, 51/109 R, 135 R, 148; 144/1 R, 1 A, 16**

[56] References Cited

U.S. PATENT DOCUMENTS

- D. 341,844 11/1993 Archart D15/124
- 4,924,633 5/1990 Hock et al. 51/135 R
- 5,165,203 11/1992 Chuang D15/124 X
- 5,168,656 12/1992 Jolly et al. D15/124 X

OTHER PUBLICATIONS

Instruction Manual for 4" Belt/6" Disc Sander (Model 31-460) of Delta International Machinery Corp., dated May 1, 1991, pp. 1-18.

Primary Examiner—Alan P. Douglas
Assistant Examiner—Antoine D. Davis
Attorney, Agent, or Firm—Kirkpatrick & Lockhart

[57] CLAIM

The ornamental design for a belt/disk sanding machine, as shown and described.

DESCRIPTION

FIG. 1 is an isometric view of the belt/disk sanding machine constructed according to the present invention with the movable members thereof in a first configuration;

FIG. 2 is a front elevational view of the belt/disk sanding machine illustrated in FIG. 1;

FIG. 3 is a rear elevational view of the belt/disk sanding machine illustrated in FIG. 1;

FIG. 4 is a right side elevational view of the belt/disk sanding machine illustrated in FIG. 1;

FIG. 5 is a left side elevational view of the belt/disk sanding machine illustrated in FIG. 1;

FIG. 6 is a top view of the belt/disk sanding machine illustrated in FIG. 1;

FIG. 7 is a bottom view of the belt/disk sanding machine illustrated in FIG. 1;

FIG. 8 is an isometric view of the belt/disk sanding machine constructed according to the present invention with the movable members thereof in a second configuration;

FIG. 9 is a front elevational view of the belt/disk sanding machine illustrated in FIG. 8;

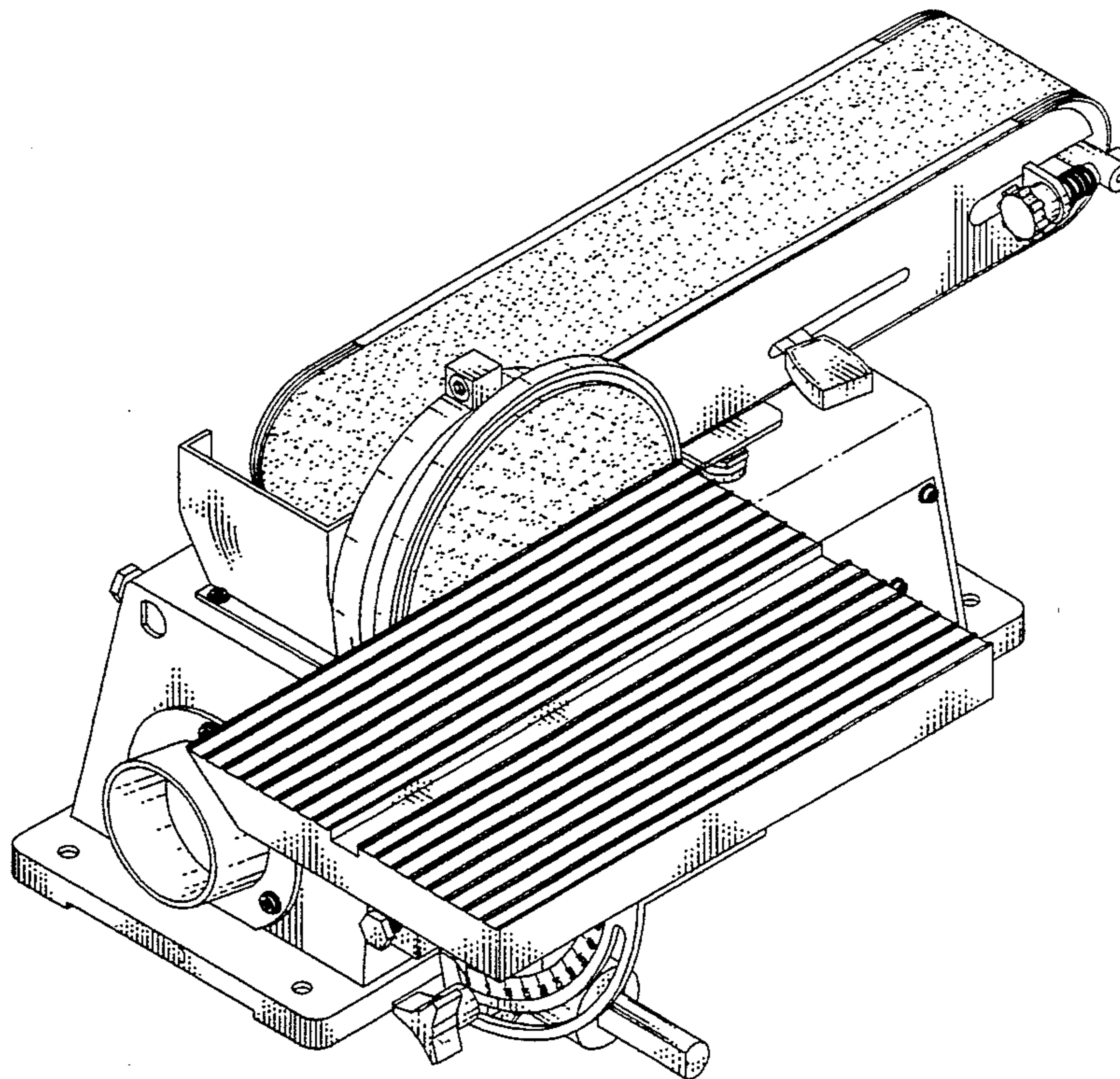
FIG. 10 is a rear elevational view of the belt/disk sanding machine illustrated in FIG. 8;

FIG. 11 is a right side elevational view of the belt/disk sanding machine illustrated in FIG. 8;

FIG. 12 is a left side elevational view of the belt/disk sanding machine illustrated in FIG. 8;

FIG. 13 is a top view of the belt/disk sanding machine illustrated in FIG. 8; and,

FIG. 14 is a bottom view of the belt/disk sanding machine illustrated in FIG. 8.



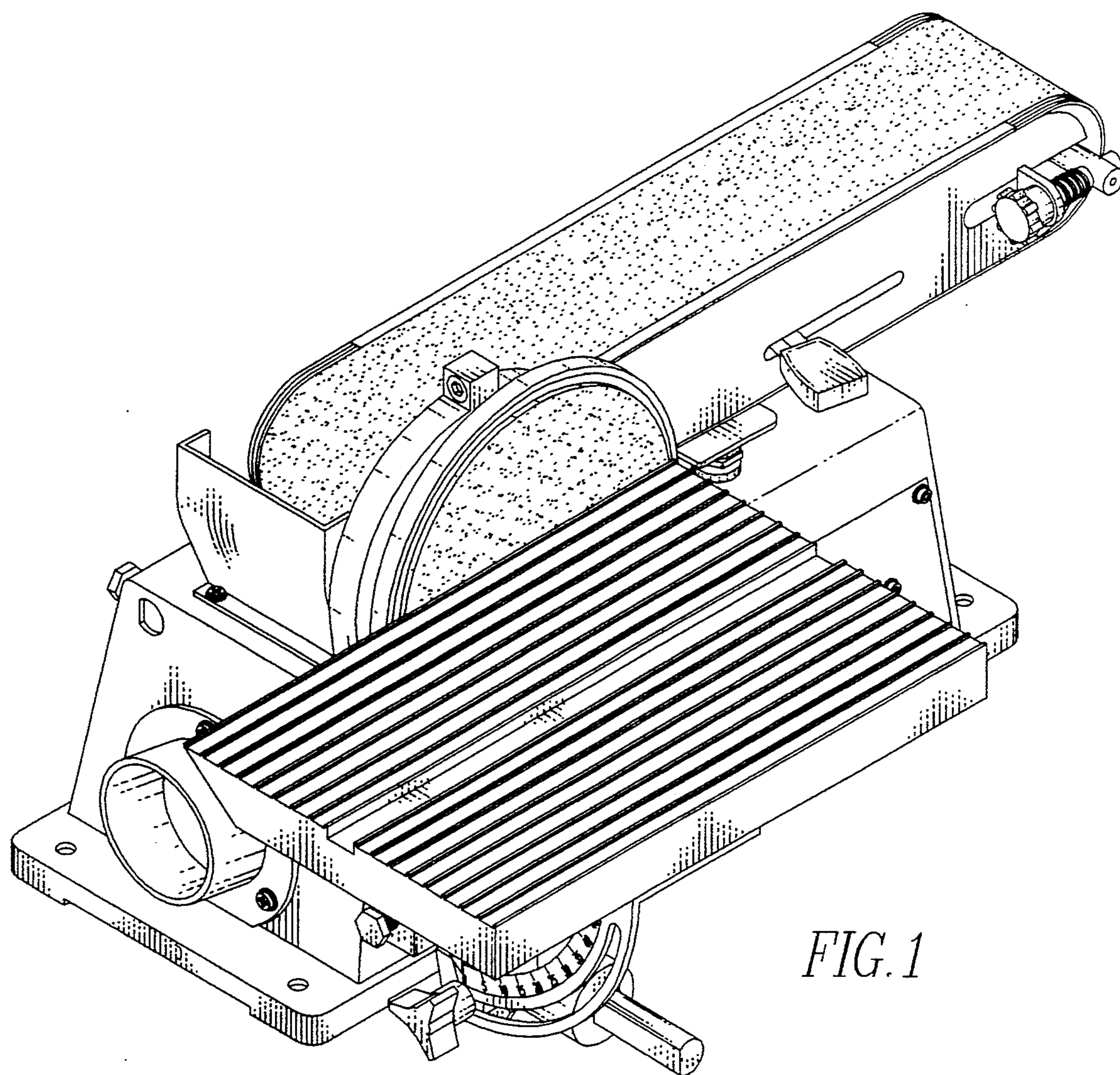


FIG. 1

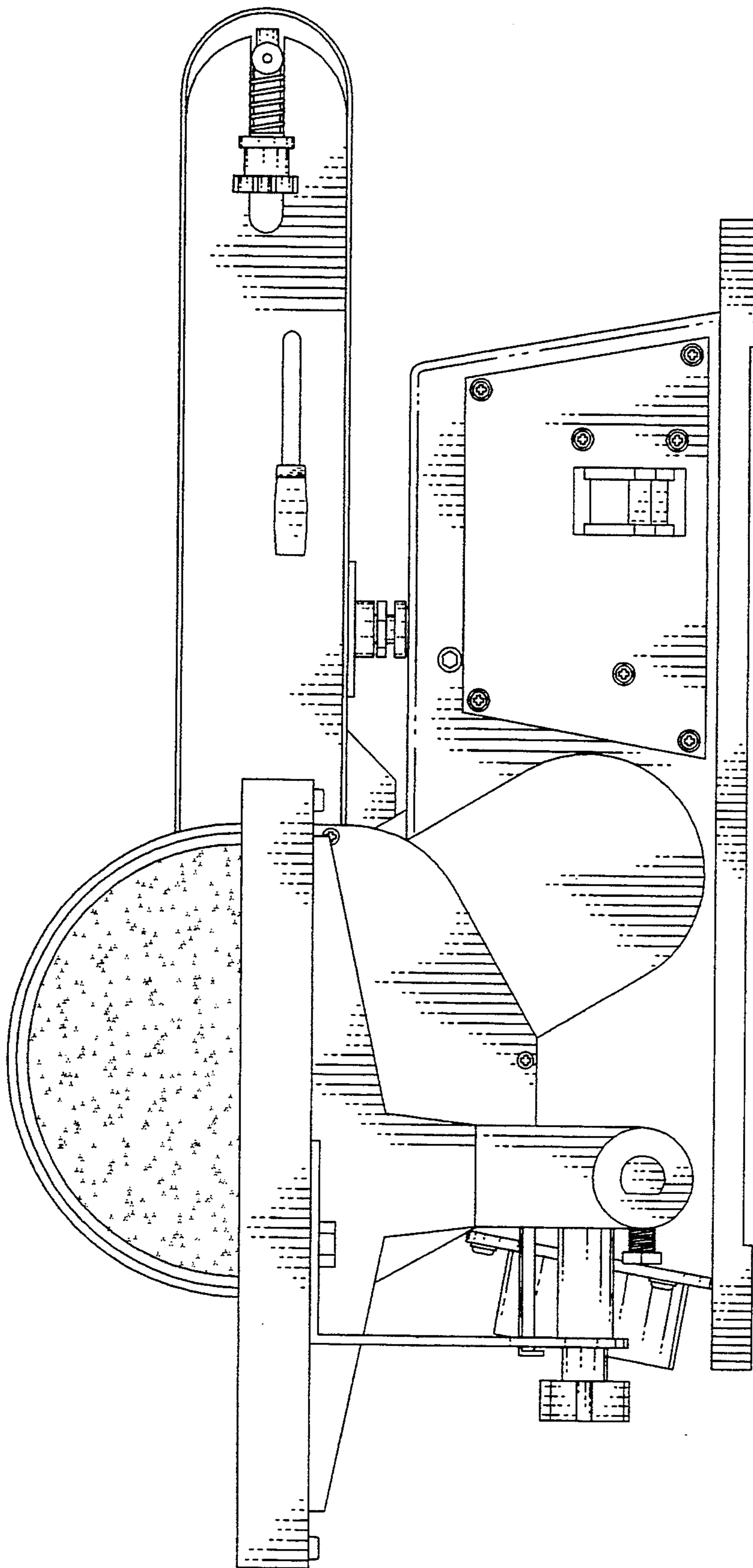


FIG. 2

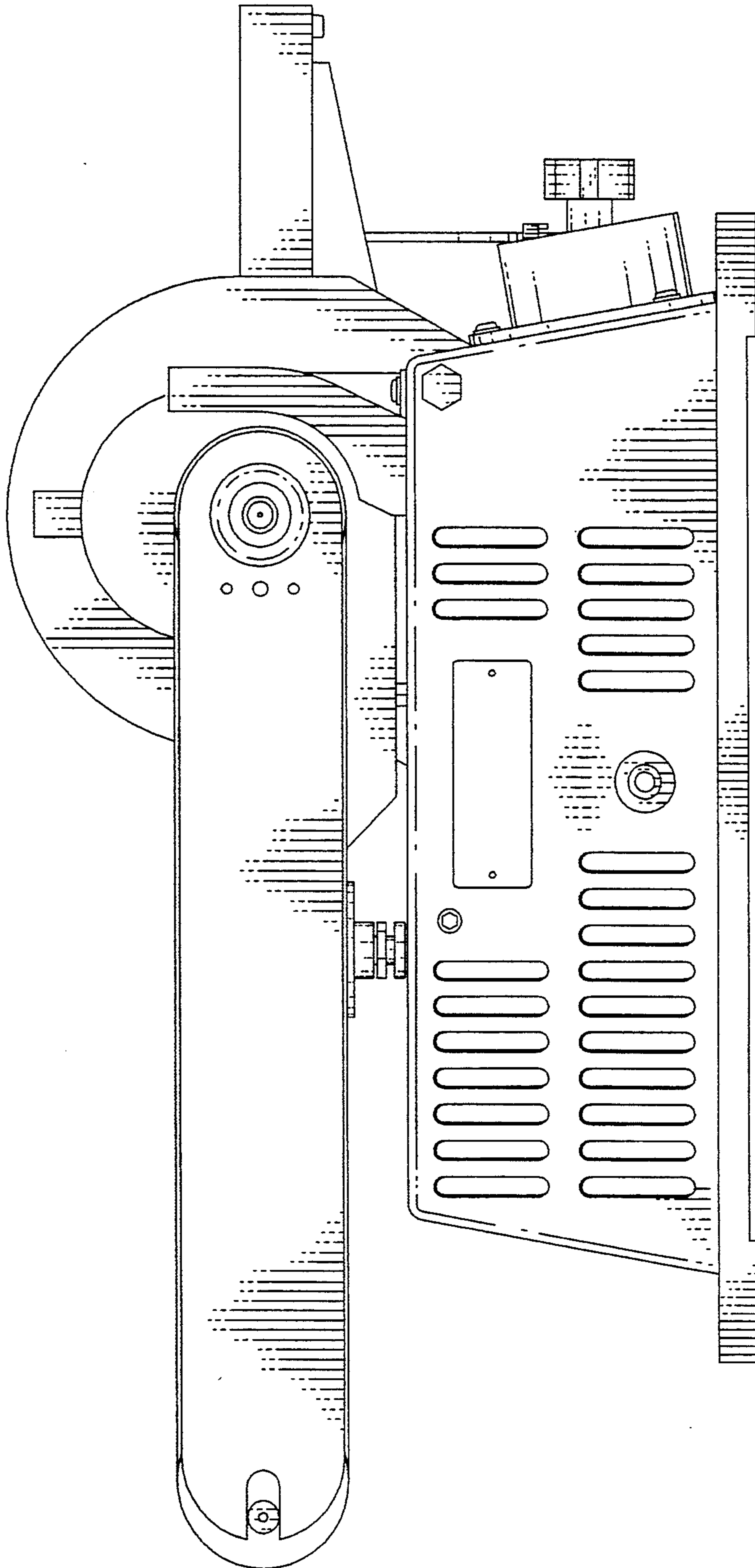


FIG. 3

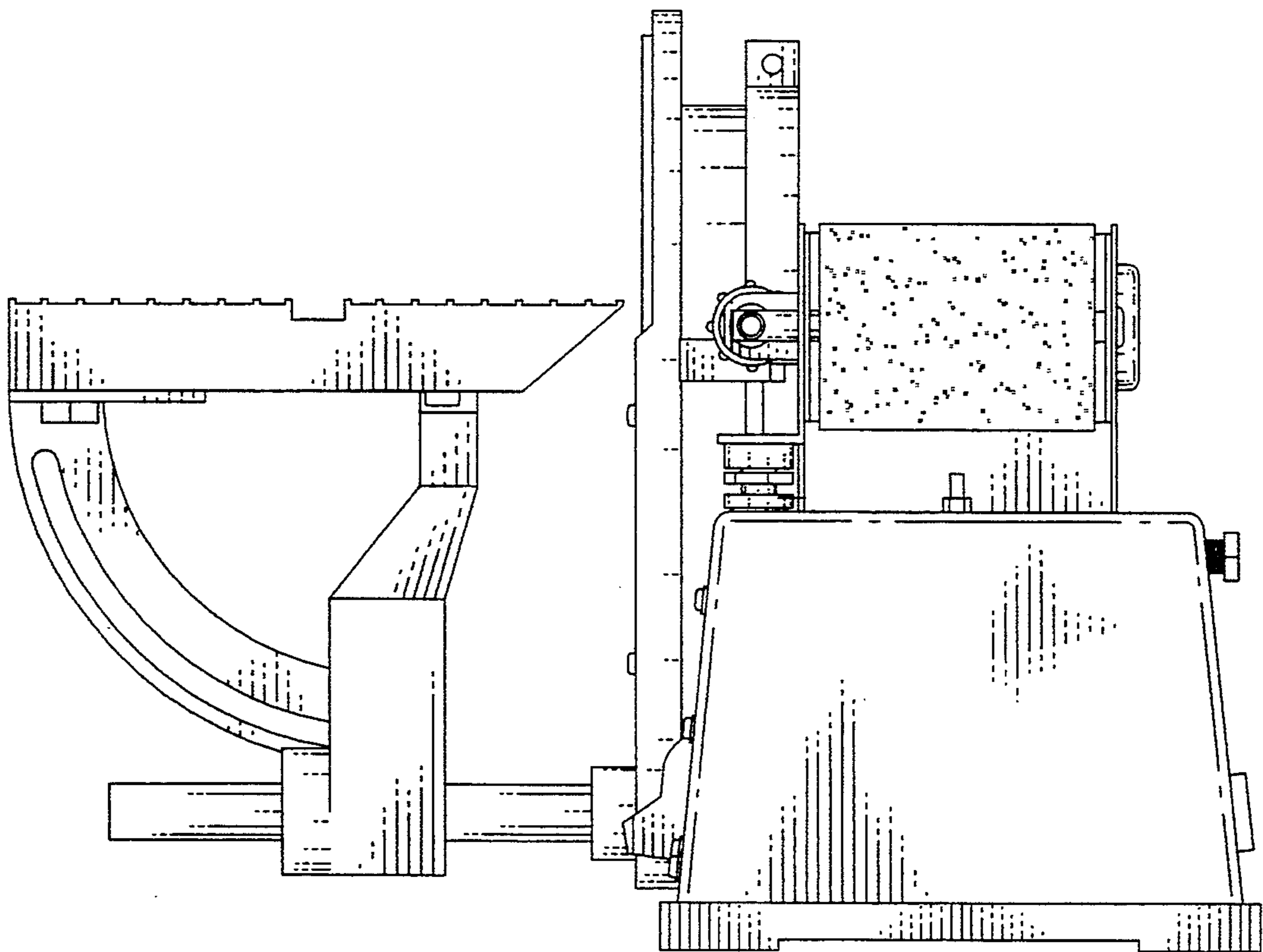


FIG. 4

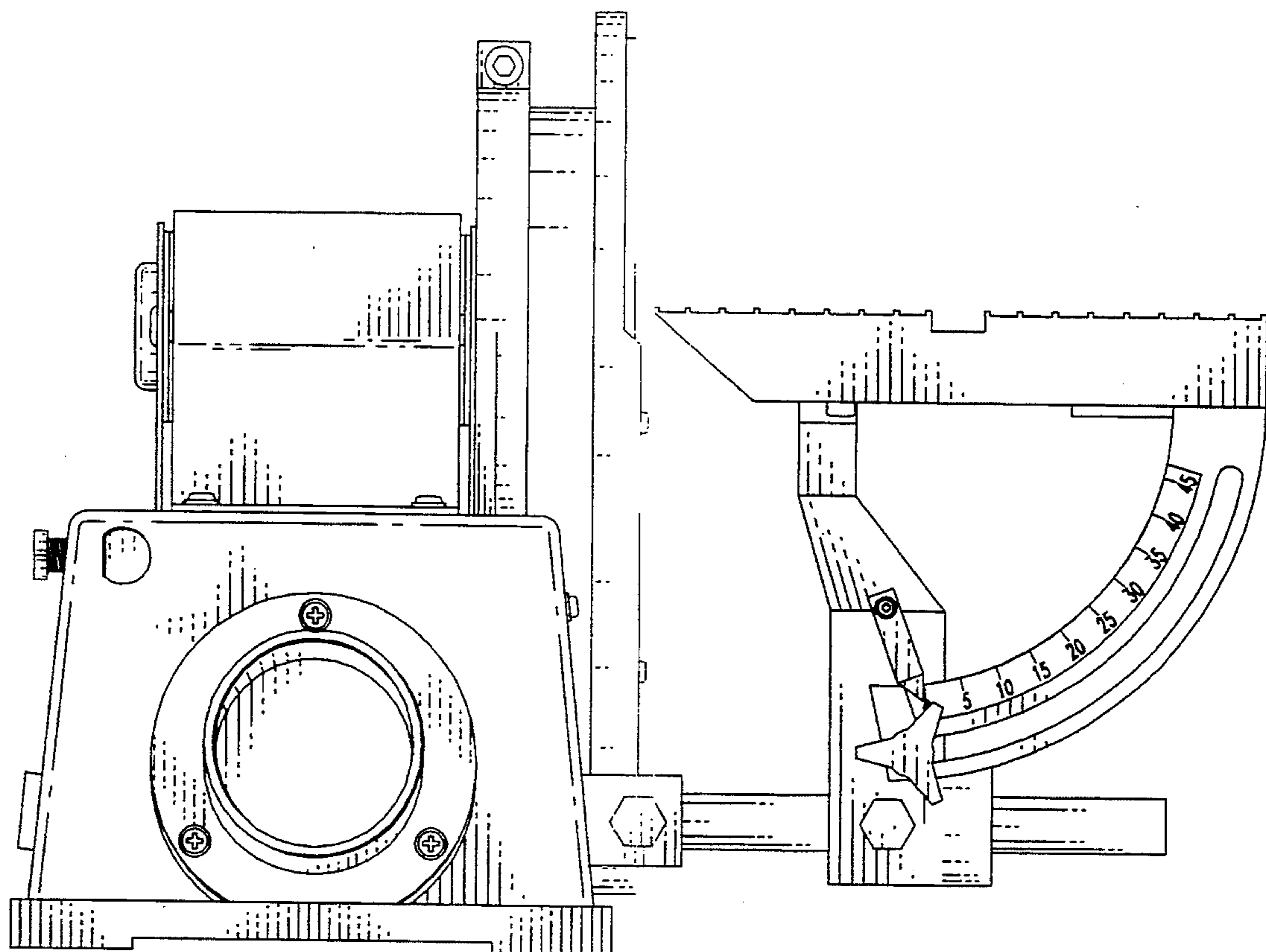


FIG. 5

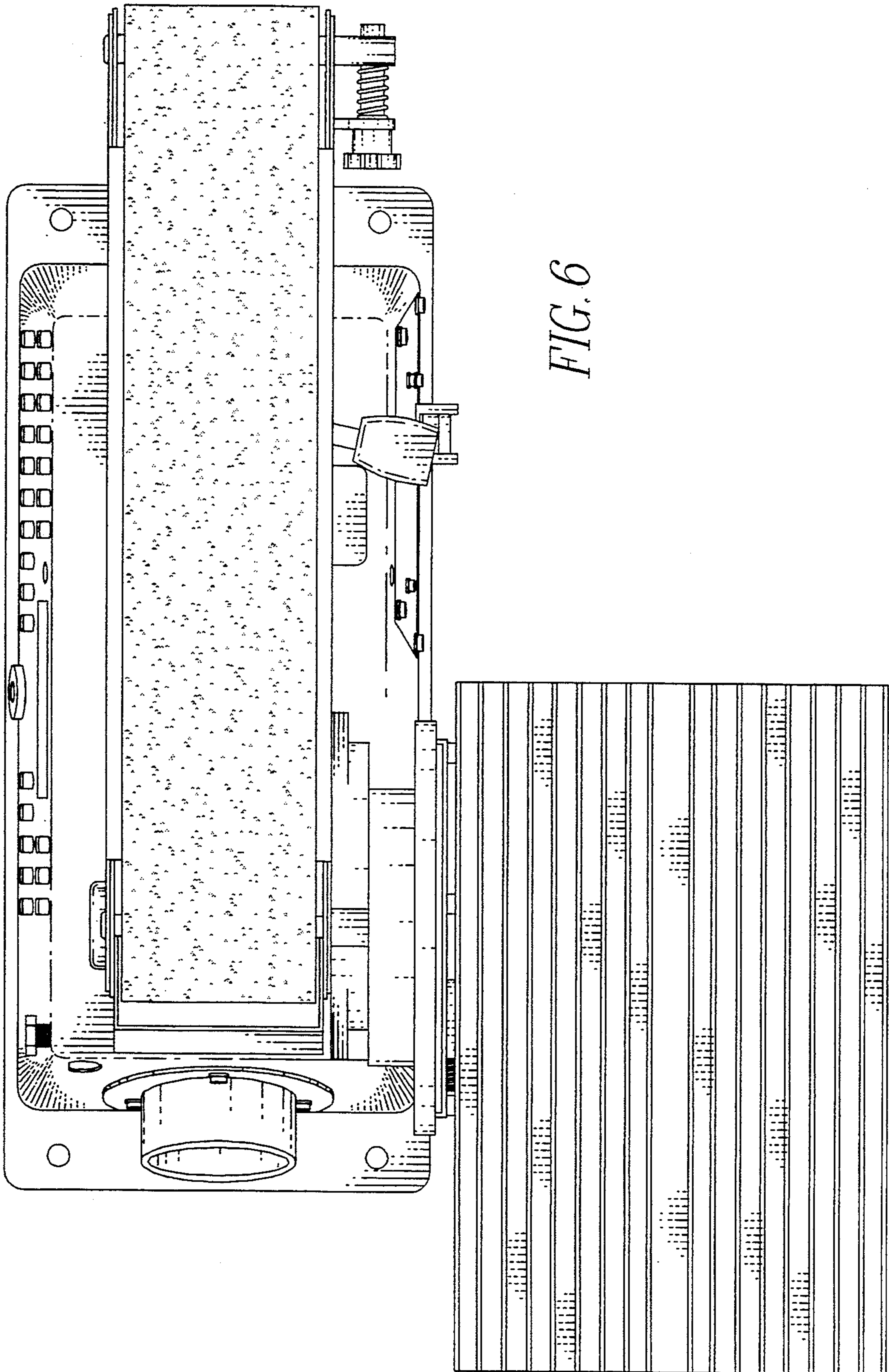
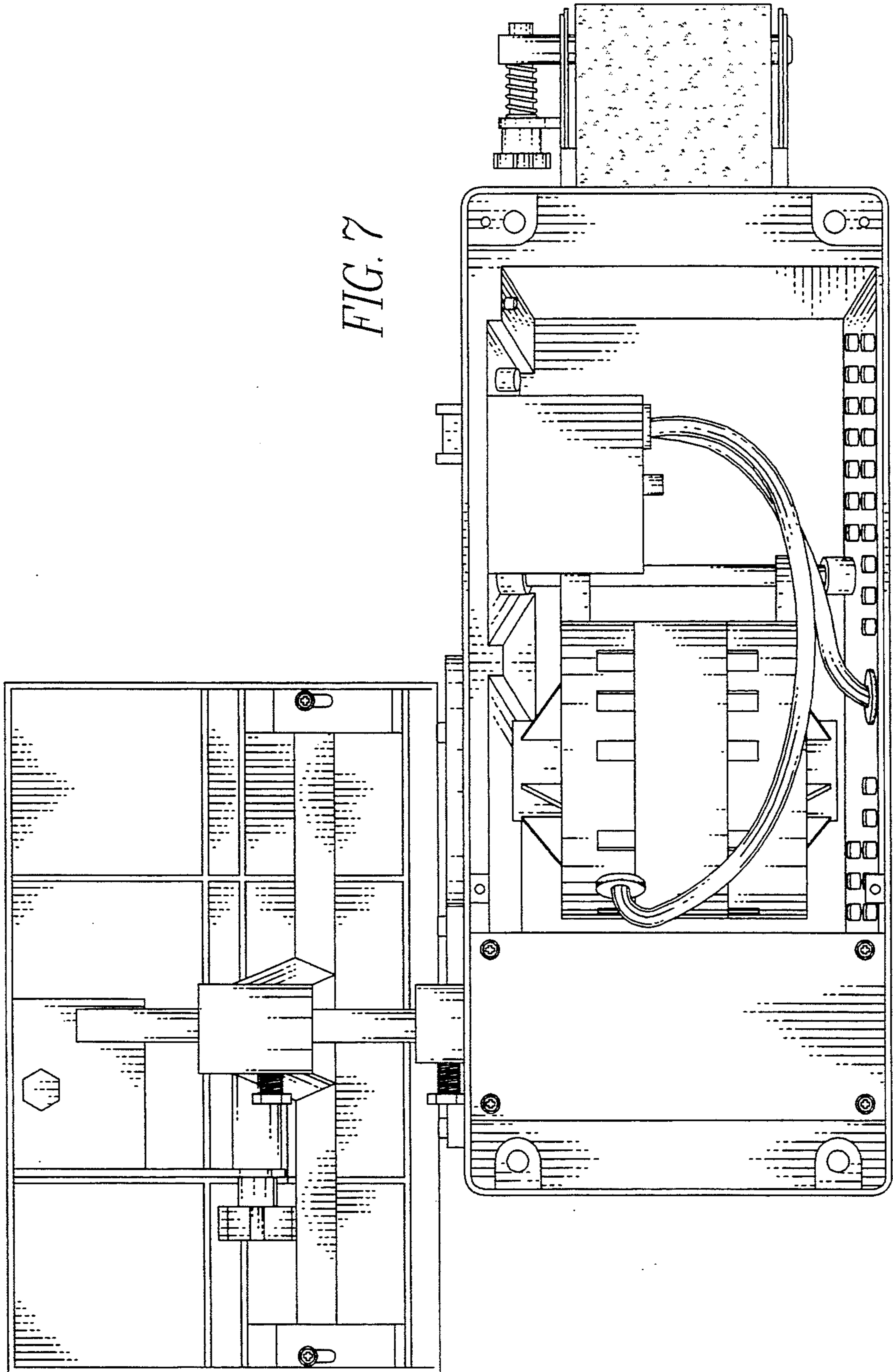


FIG. 6



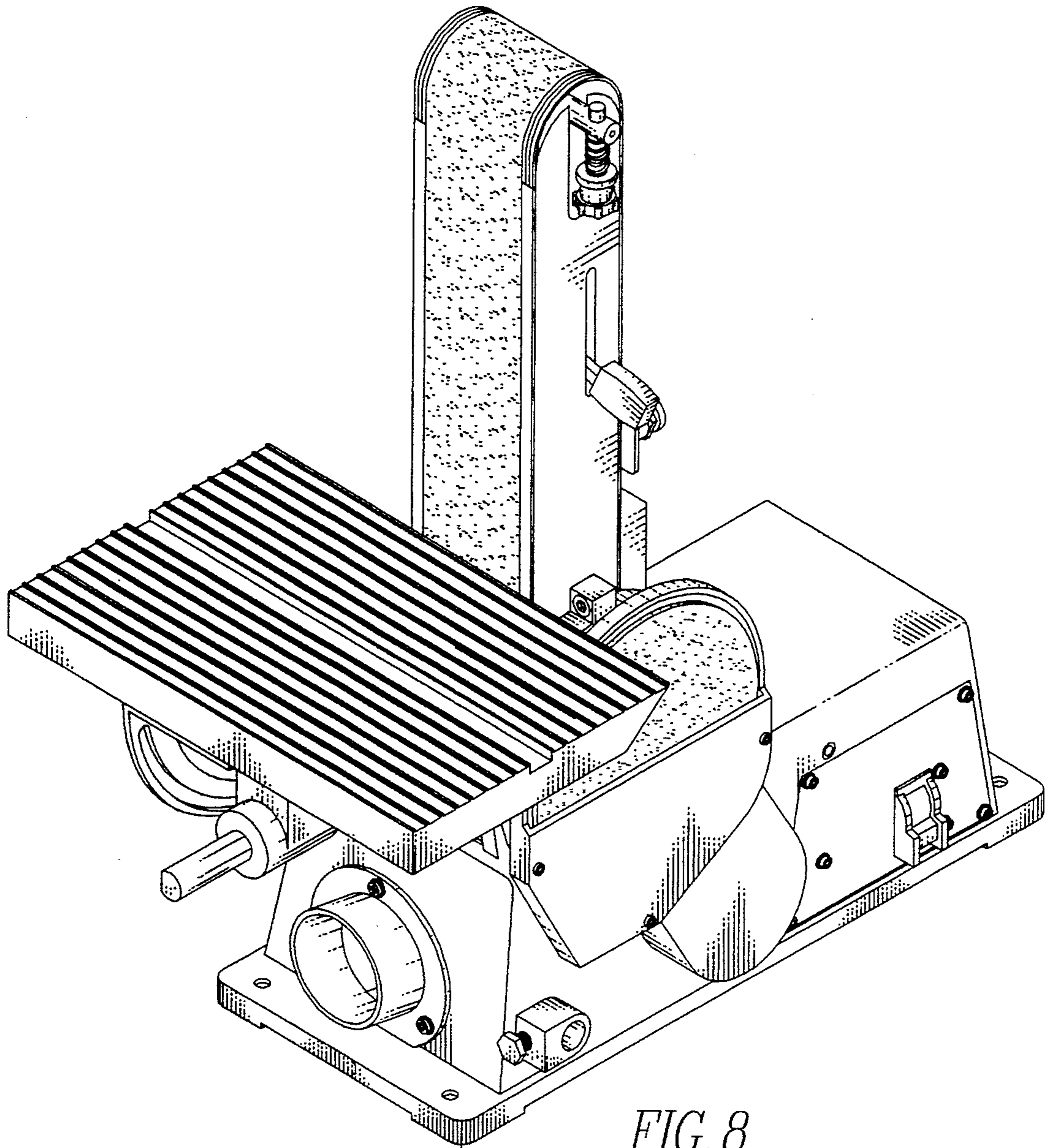


FIG. 8

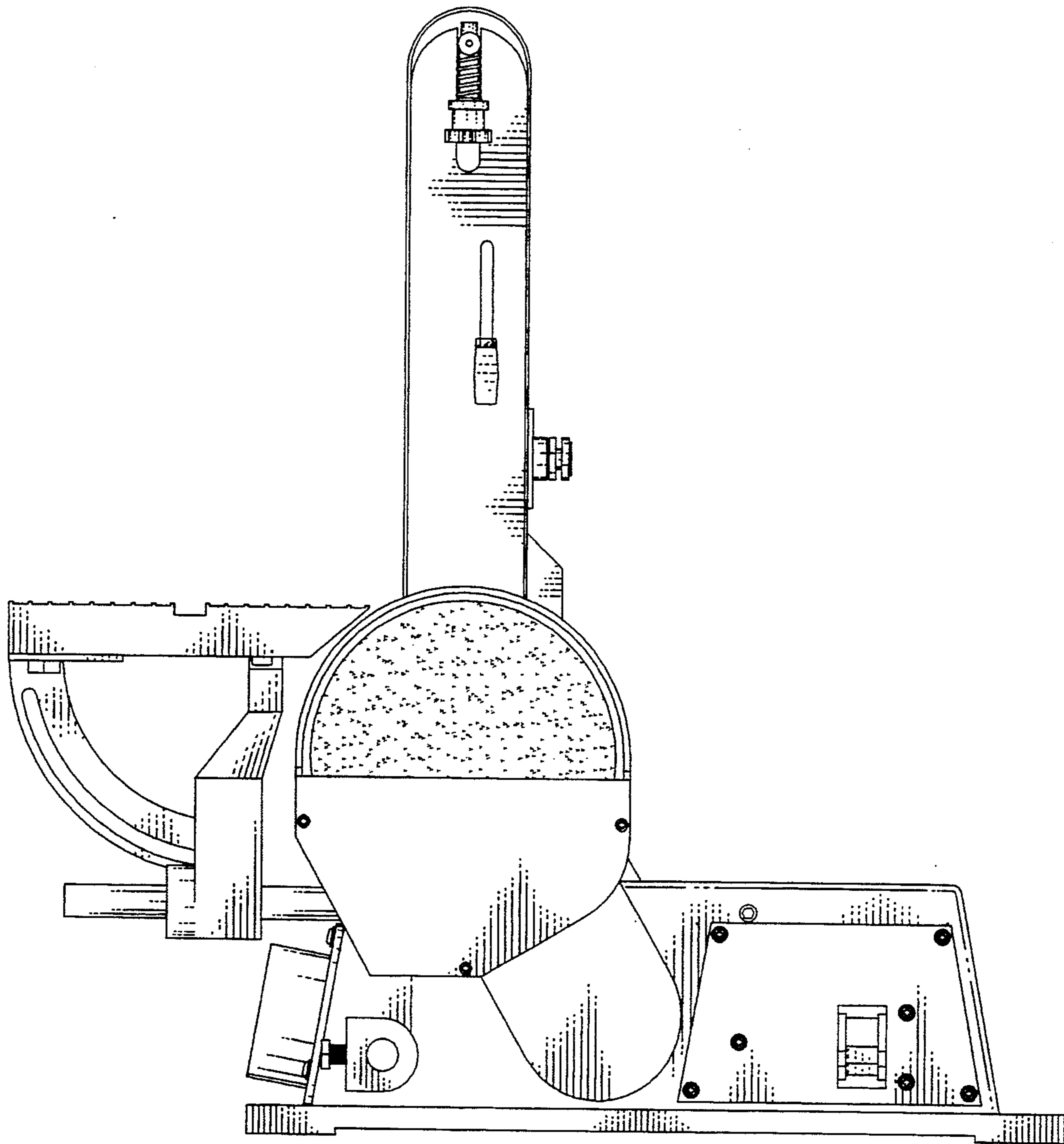


FIG. 9

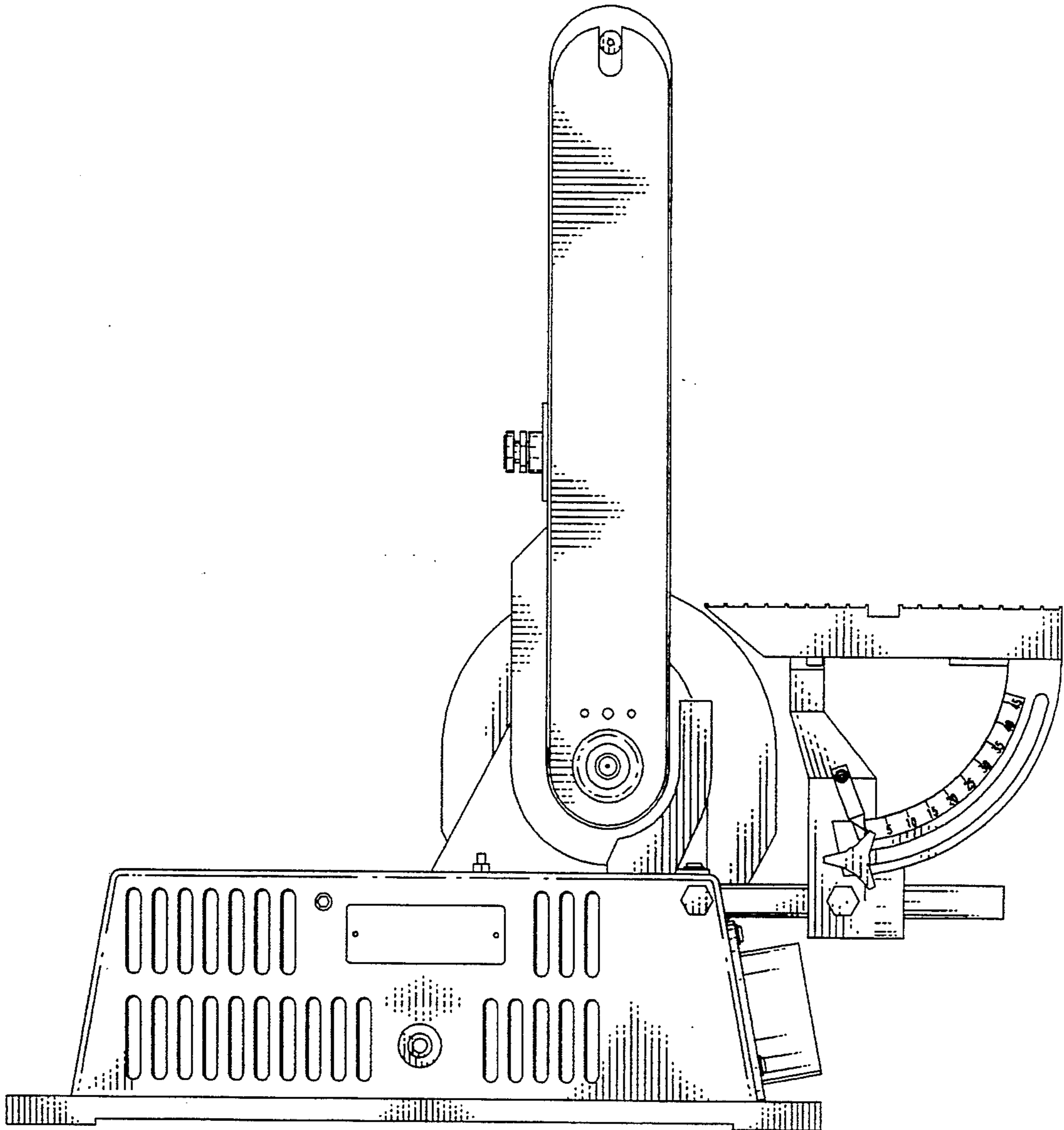


FIG. 10

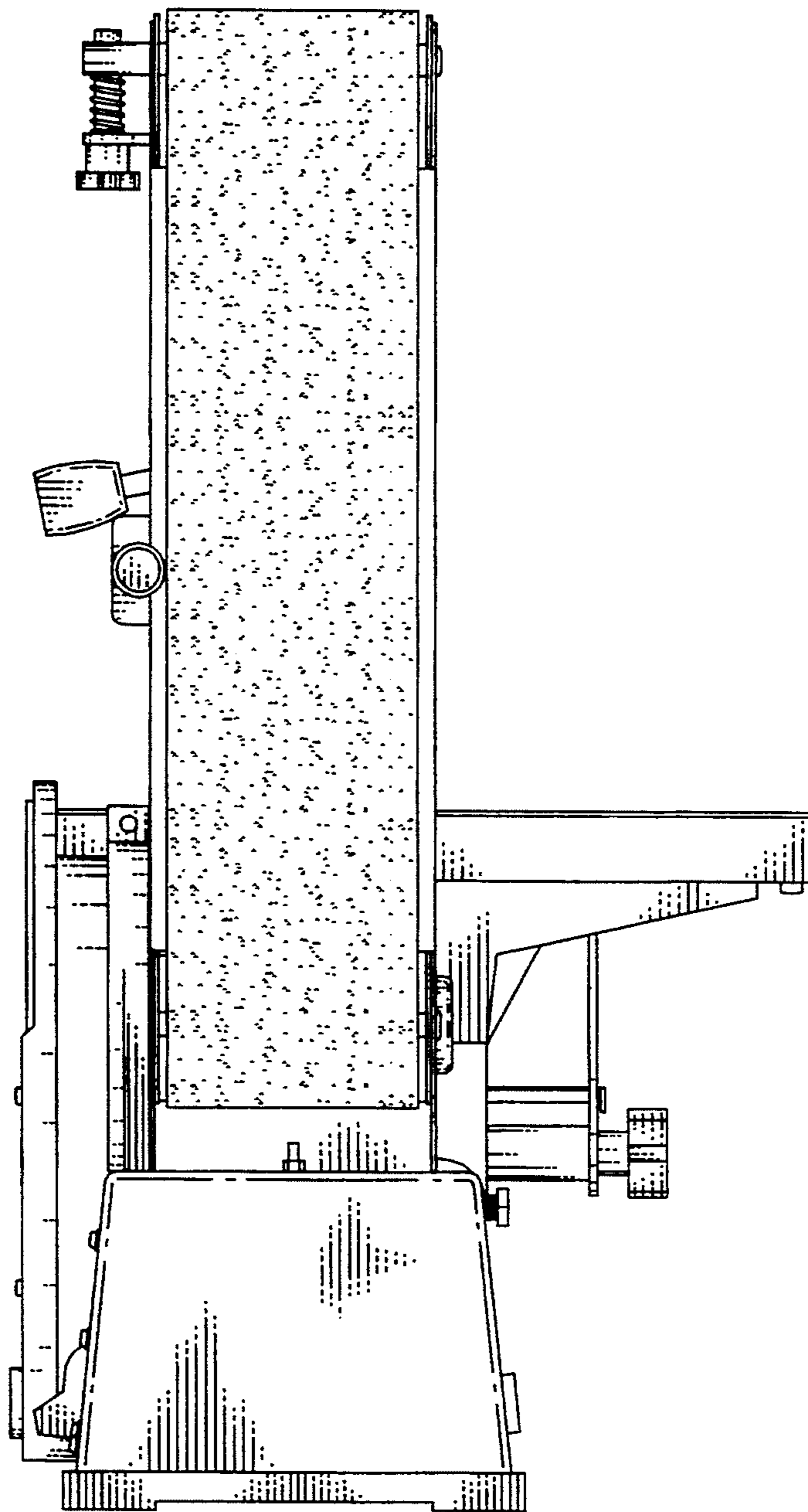


FIG. 11

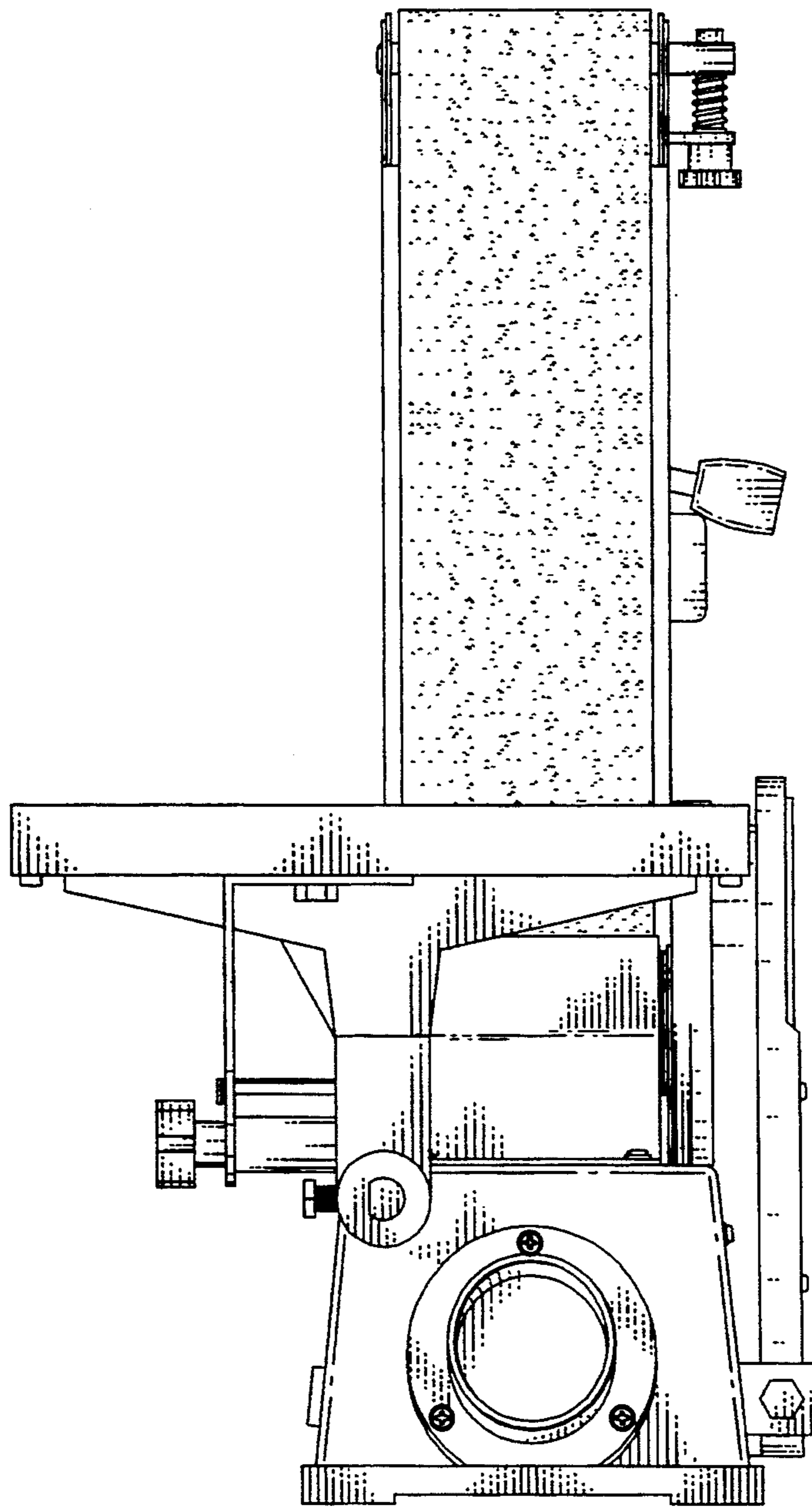


FIG. 12

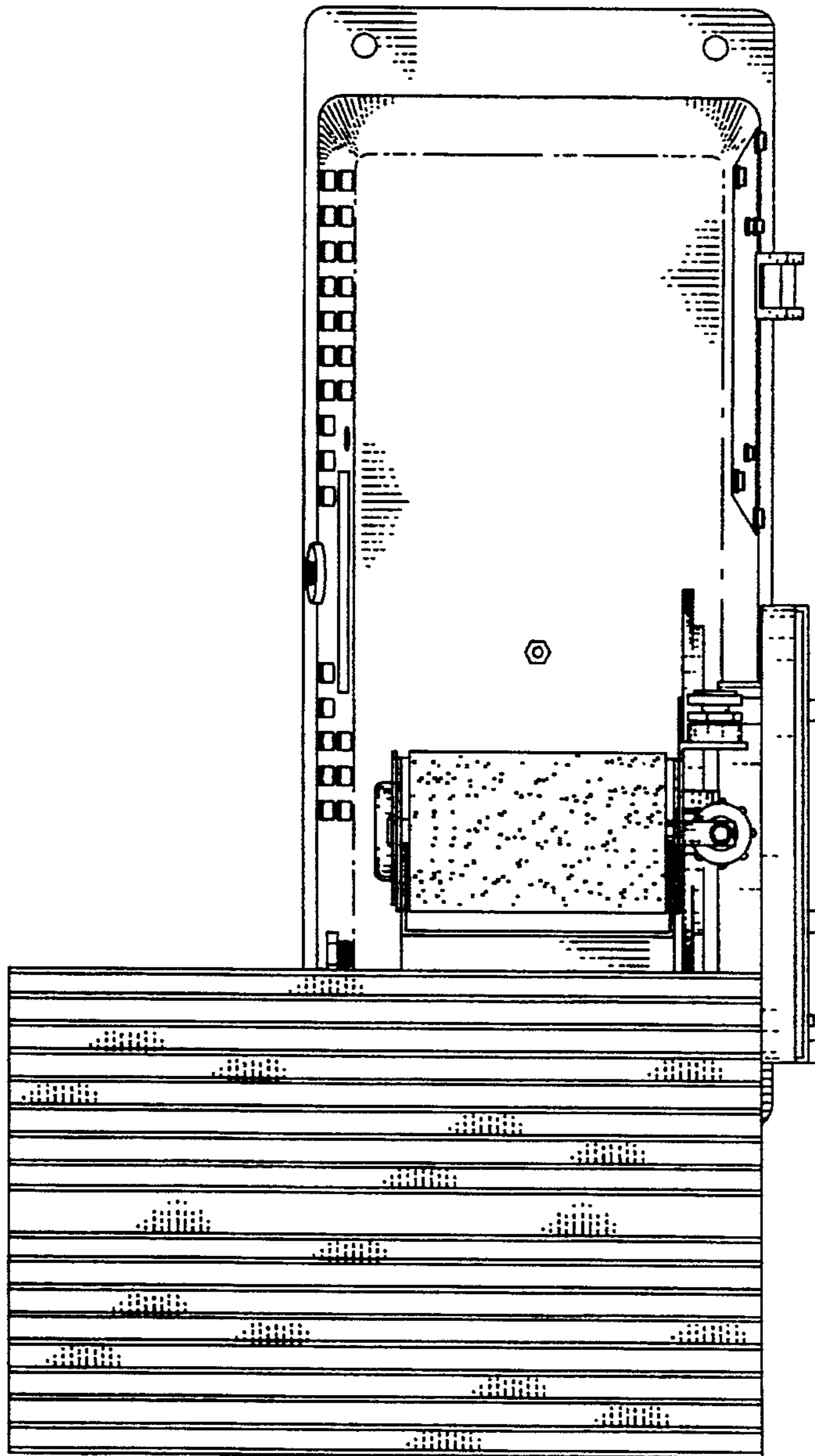


FIG. 13

