



US00D355199S

United States Patent [19]

Ousey

[11] Patent Number: **Des. 355,199**

[45] Date of Patent: **** Feb. 7, 1995**

[54] **SUBMERSIBLE PUMP**

[76] Inventor: **James I. M. Ousey**, P.O. Box 9021,
Pittsburg, Calif. 94565

[**] Term: **14 Years**

[21] Appl. No.: **14,801**

[22] Filed: **Oct. 22, 1993**

[52] U.S. Cl. **D15/7**

[58] Field of Search **D15/7-9.1;**
D22/134; D23/207, 213, 231, 232; 210/242.2;
152/415-416, 426; 417/410 B, 415, 321, 234,
258; 261/77, 123

[56] **References Cited**

U.S. PATENT DOCUMENTS

- D. 249,897 10/1978 Willinger D30/106
- D. 327,275 6/1992 Sheldon D15/7
- 3,677,665 7/1972 Corkill 417/410 B

- 4,047,852 9/1977 O'Connor et al. 417/415
- 4,718,824 1/1988 Cholet et al. 417/410 B
- 4,752,421 6/1988 Makino 210/242.2
- 4,863,644 9/1989 Harrington et al. 261/123

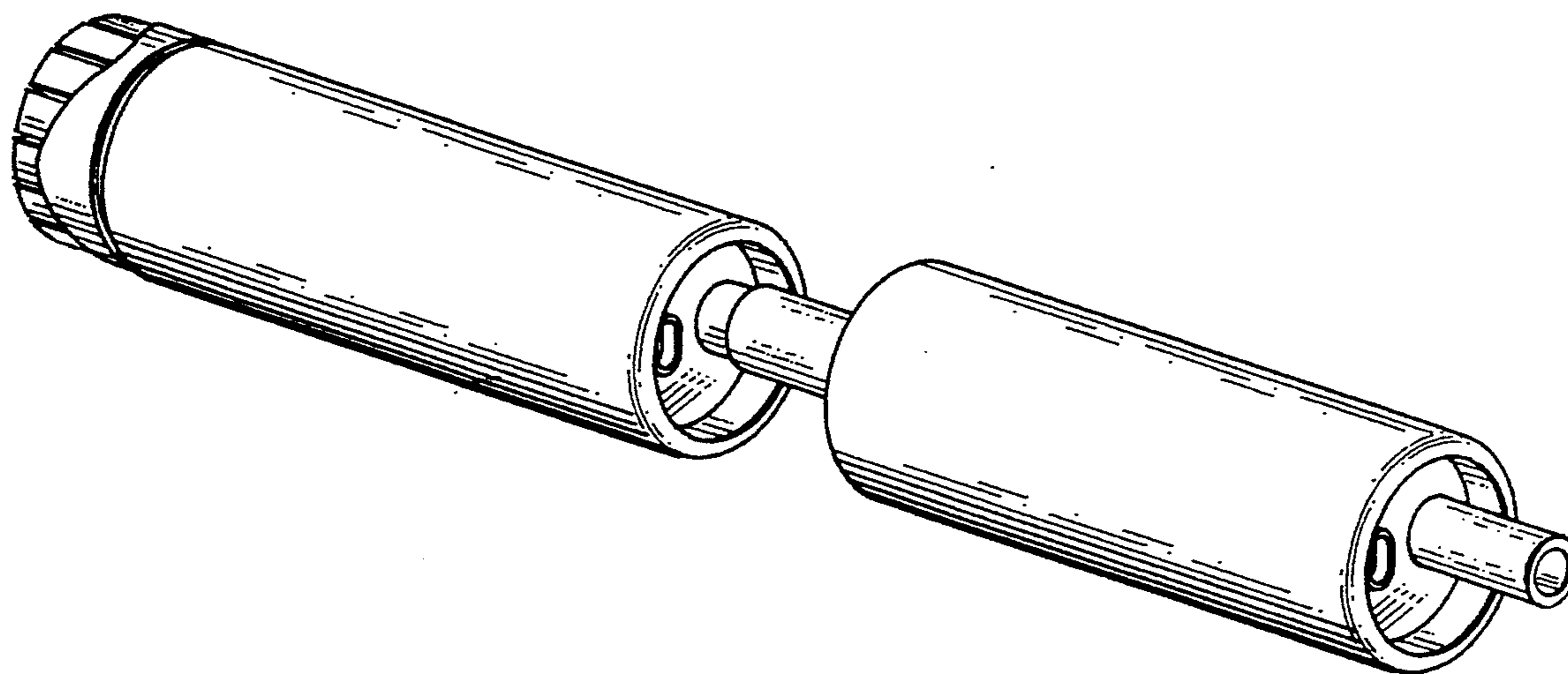
Primary Examiner—Ralf T. Seifert
Attorney, Agent, or Firm—Thomas R. Lampe

[57] **CLAIM**

The ornamental design for a submersible pump, as shown and described.

DESCRIPTION

FIG. 1 is a perspective view of a submersible pump showing my new design;
FIG. 2 is a front elevational view thereof;
FIG. 3 is a bottom plan view thereof;
FIG. 4 is a rear elevation view thereof;
FIG. 5 is a top plan view thereof;
FIG. 6 is a right end view thereof; and,
FIG. 7 is a left end view thereof.



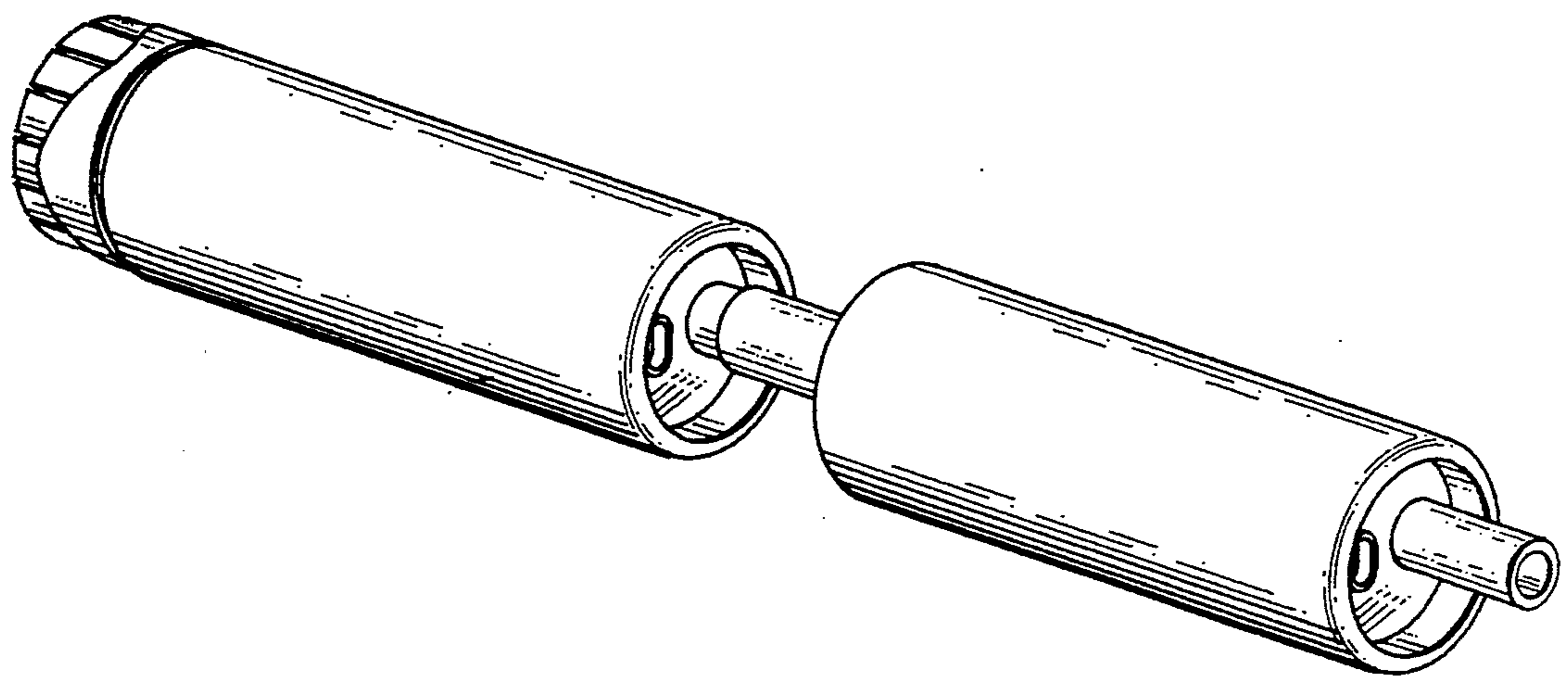


Fig. 1

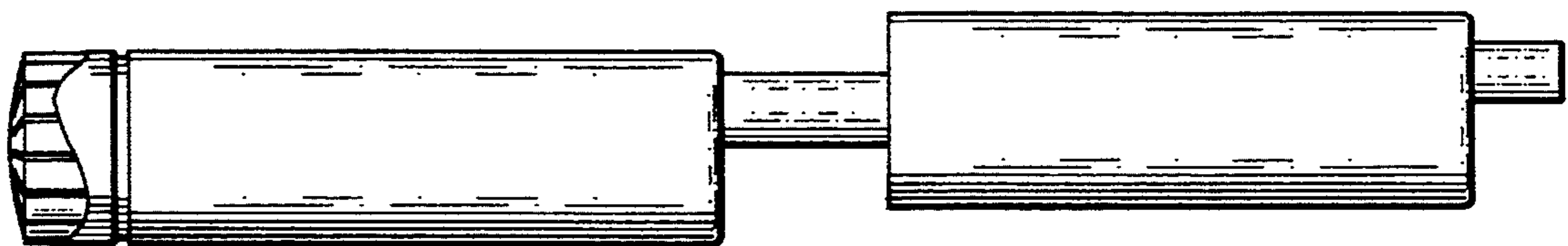


Fig. 2

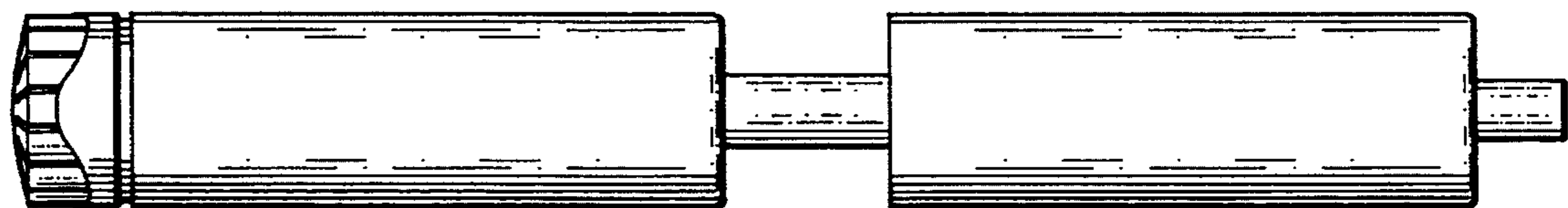


Fig. 3

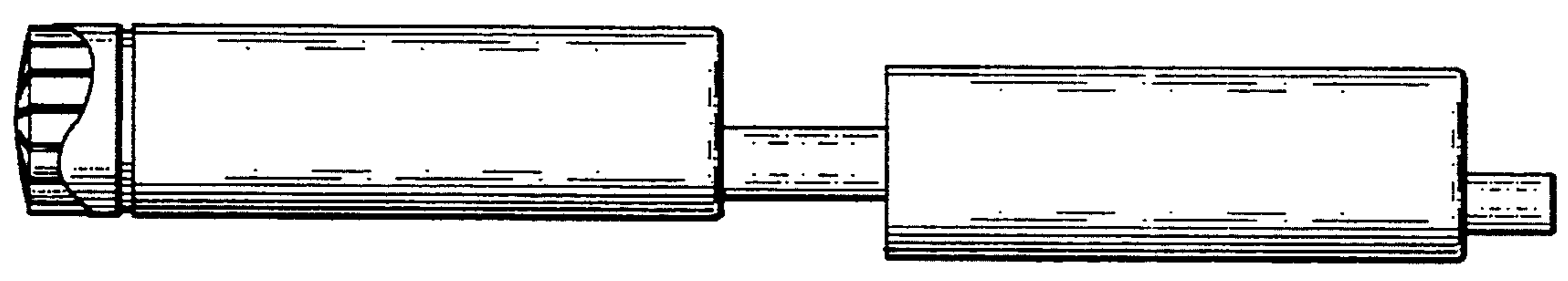


Fig. 4

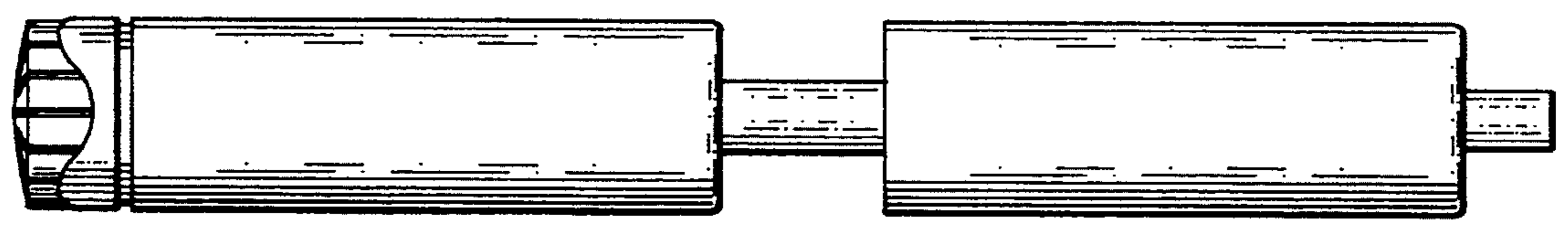


Fig. 5

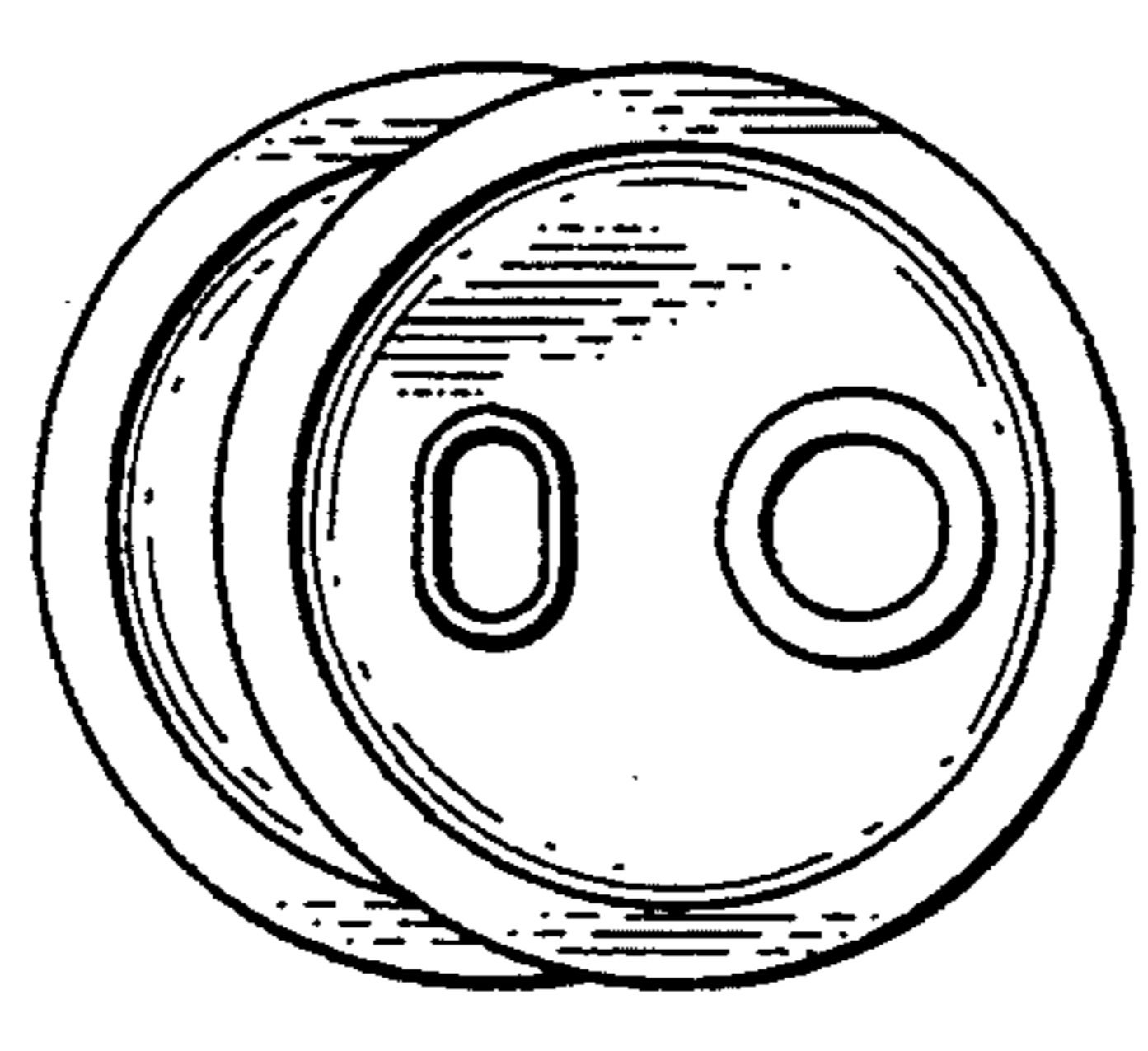


Fig. 6

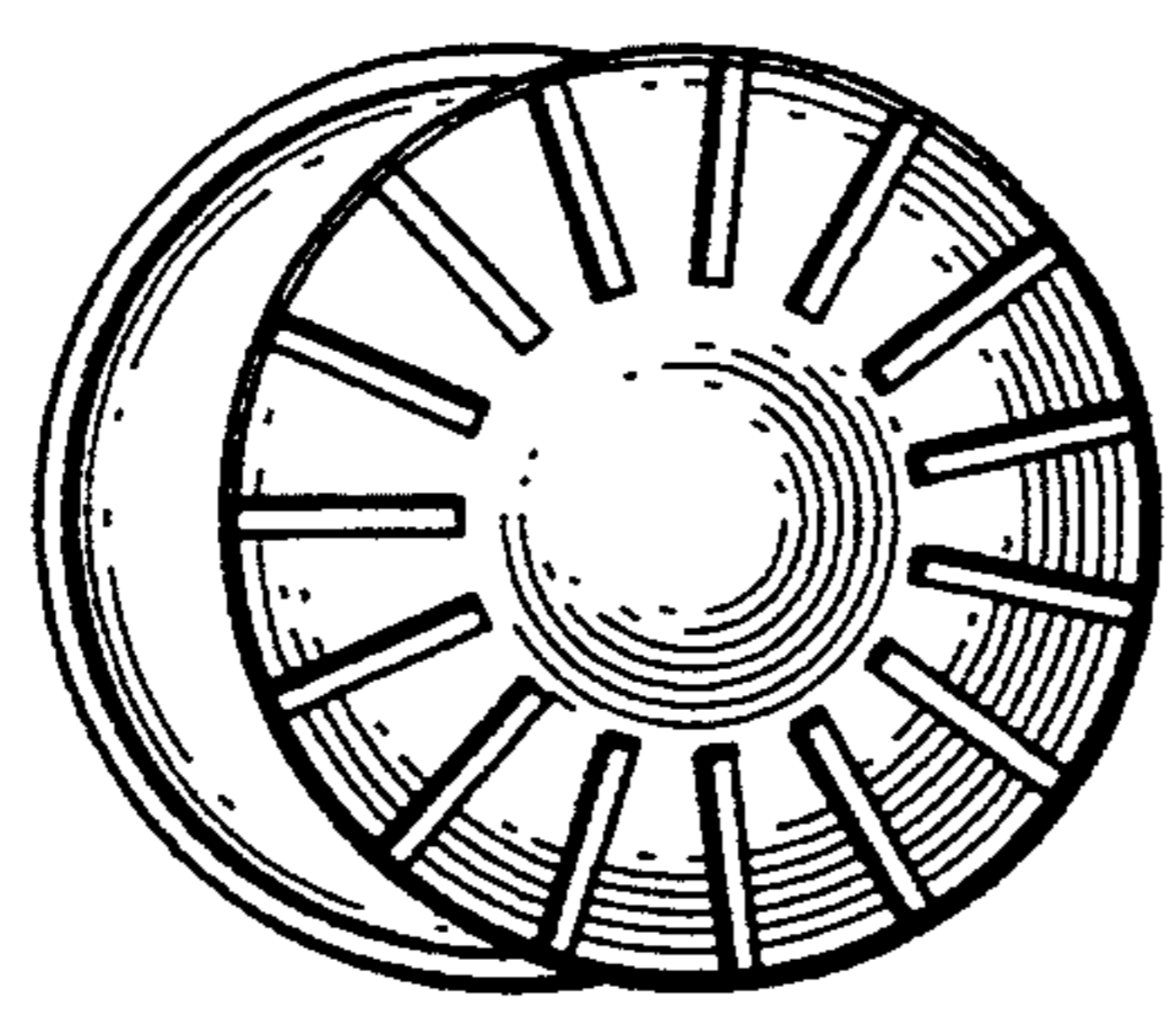


Fig. 7