



US00D355198S

United States Patent [19]

[11] Patent Number: **Des. 355,198**

Kikuchi

[45] Date of Patent: **** Feb. 7, 1995**

[54] **SMALL ENGINE FOR A PORTABLE POWER TOOL**

[75] Inventor: **Naoki Kikuchi**, Chandler, Ariz.

[73] Assignee: **Ryobi Outdoor Products**, Easley, S.C.

[**] Term: **14 Years**

[21] Appl. No.: **11,028**

[22] Filed: **Jul. 23, 1993**

[52] U.S. Cl. **D15/1; D8/8**

[58] Field of Search **D8/8; D15/1, 10, 16; 30/276; 56/12.7**

4,237,610 12/1980 Bradus et al. .
4,391,041 7/1983 Porter-Bennett .
4,860,451 8/1989 Pilatowicz et al. .

OTHER PUBLICATIONS

Weed Eater Operator's Manual, Model: Cordless Clipstik TM, Dec. 17, 1990.

Primary Examiner—Wallace R. Burke
Assistant Examiner—Holly Baynham
Attorney, Agent, or Firm—Brooks & Kushman

[57] CLAIM

The ornamental design for a small engine for a portable power tool, as shown and described.

DESCRIPTION

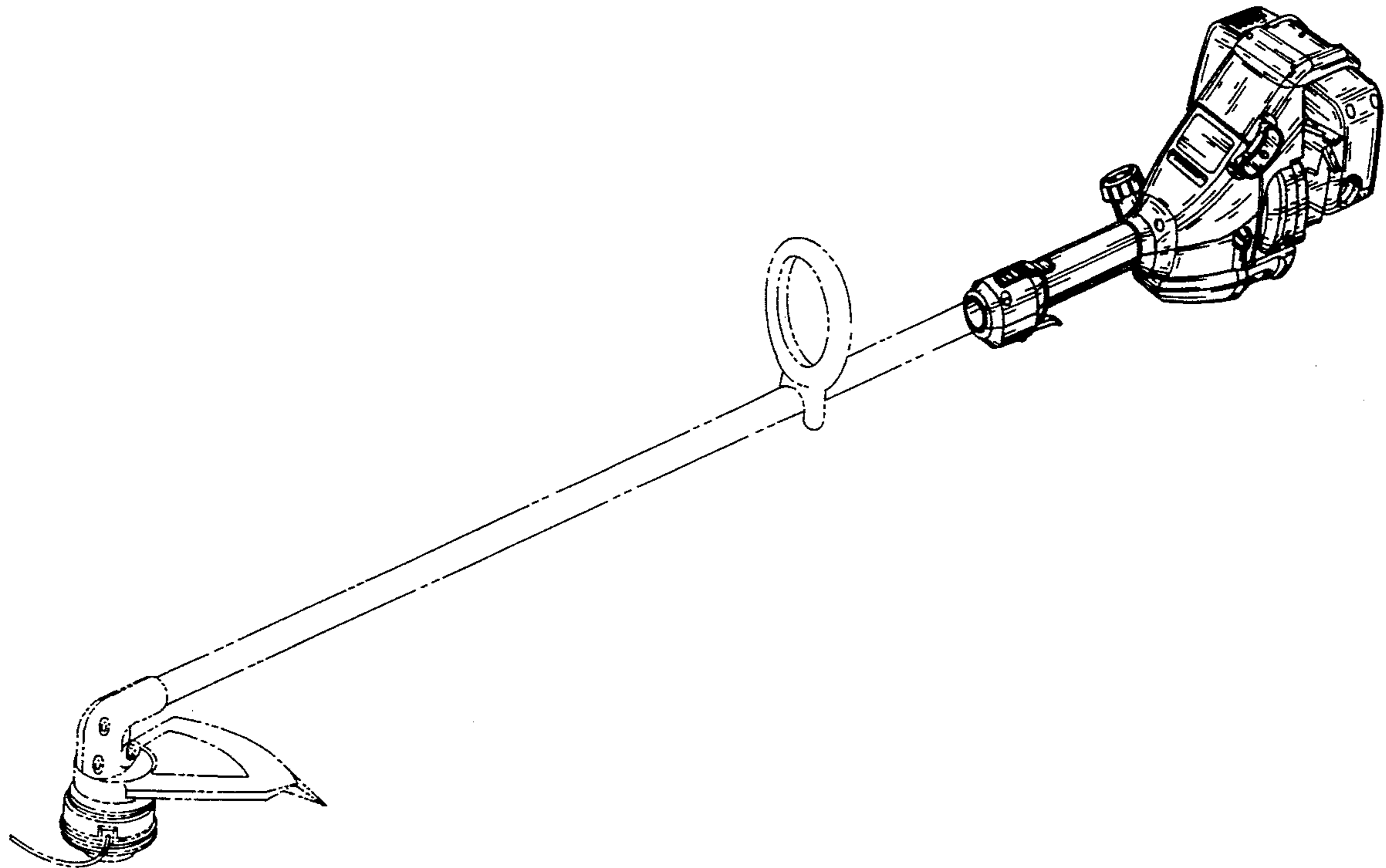
FIG. 1 is a perspective view of the small engine for a portable power tool. The broken lines are for illustrative purposes only and form no part of my design; FIG. 2 is a right side elevational view thereof; FIG. 3 is a left side elevational view thereof; FIG. 4 is a top plan view thereof; FIG. 5 is a rear end elevational view thereof; FIG. 6 is a front end elevational view thereof; and, FIG. 7 is a bottom plan view.

The use of broken lines in FIGS. 1-4 and 7 are for illustrative purposes only, and form no part of the claimed design.

[56] References Cited

U.S. PATENT DOCUMENTS

D. 250,450	12/1978	Tiedemann	D8/8
D. 255,764	7/1980	Lombard	D8/8
D. 260,394	8/1981	Tuggle	D8/8
D. 274,620	7/1984	Murakami	D15/1
D. 301,009	5/1989	Pilatowicz et al.	D8/8
D. 303,483	9/1989	Takahashi et al.	D8/8
D. 304,196	10/1989	Tuggle et al.	D8/8
D. 305,432	1/1990	Hashigaki	D15/1
D. 317,852	7/1991	Fujiwara et al.	D8/8
D. 326,270	5/1992	Wada et al.	D15/16
D. 342,875	1/1994	Franke et al.	D15/17 X
3,886,716	6/1975	Sellers	.	



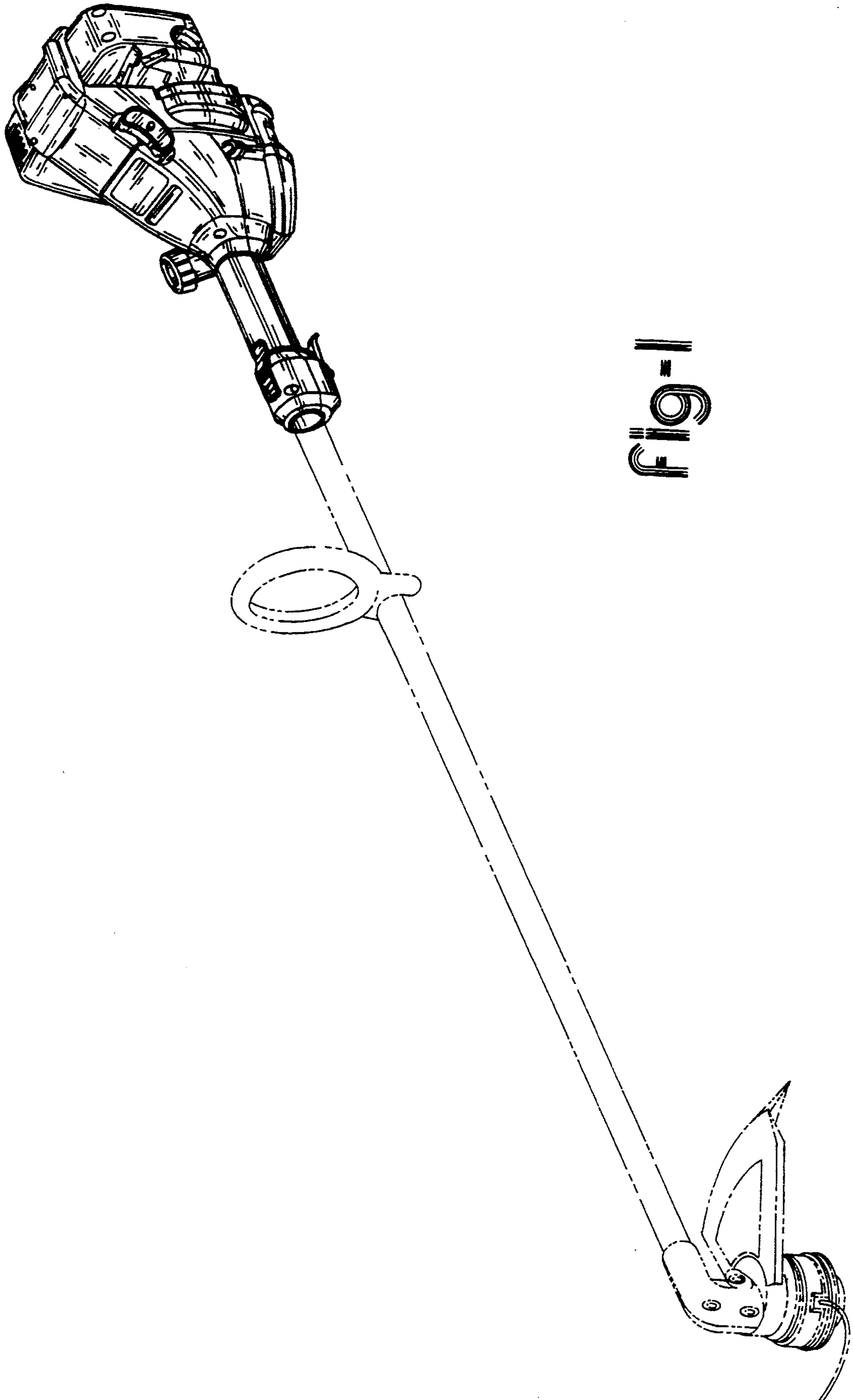


FIG-1

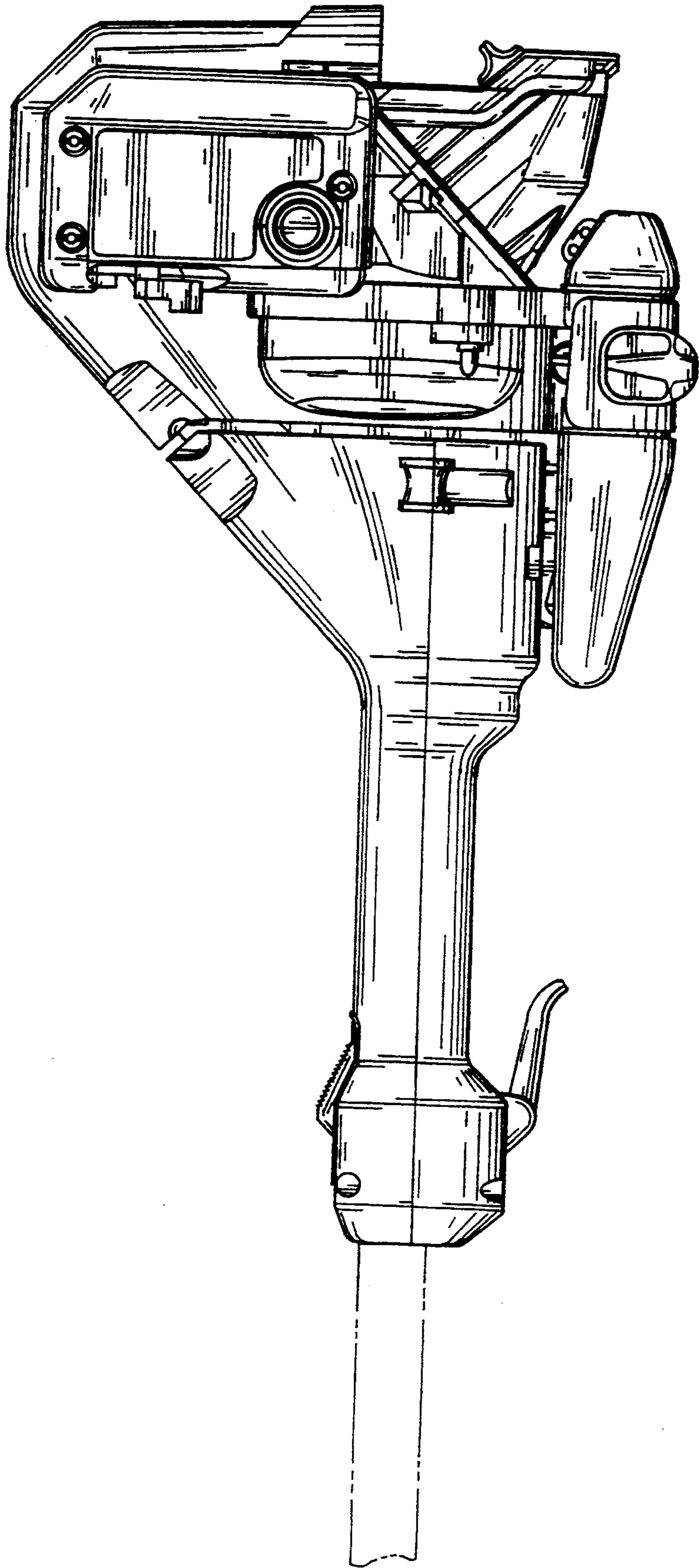


Fig-2

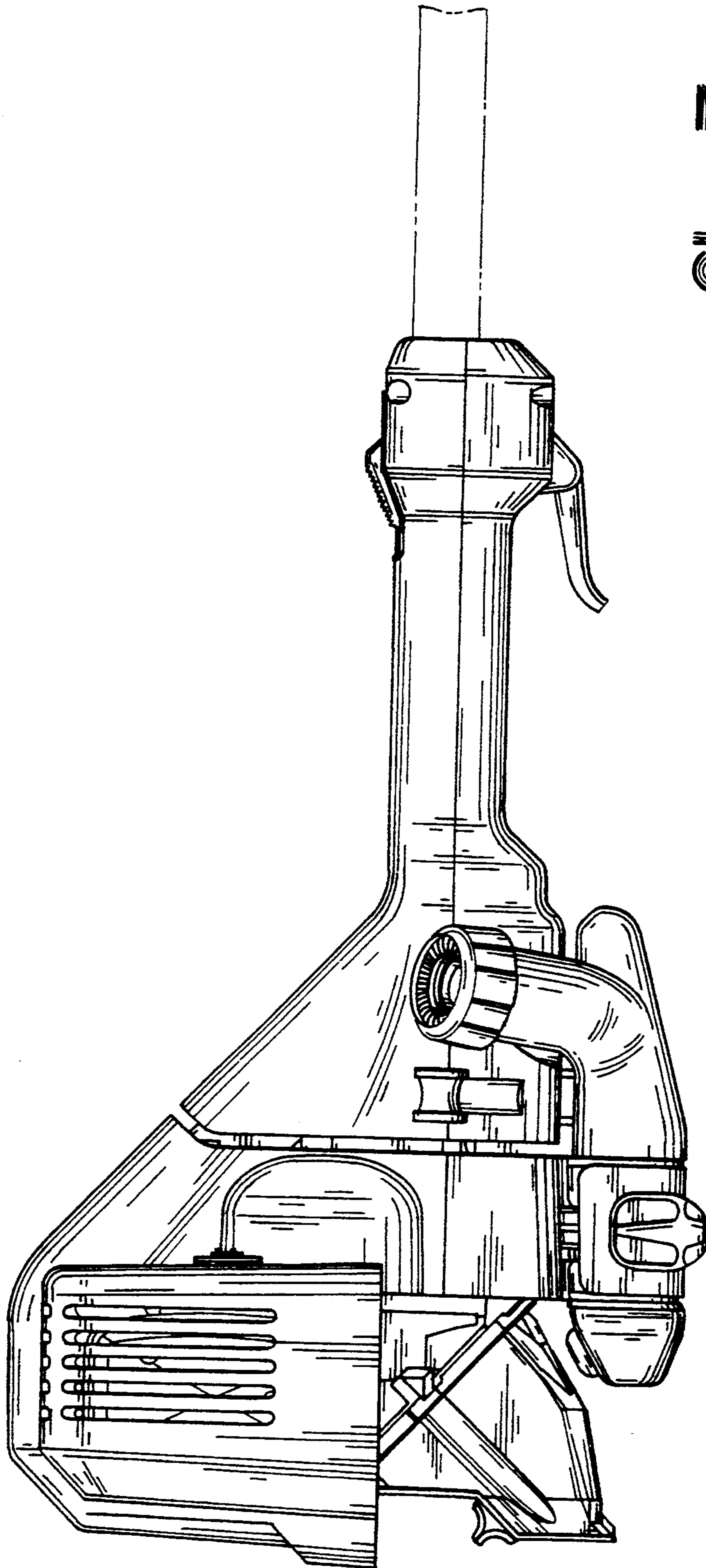


FIG. 3

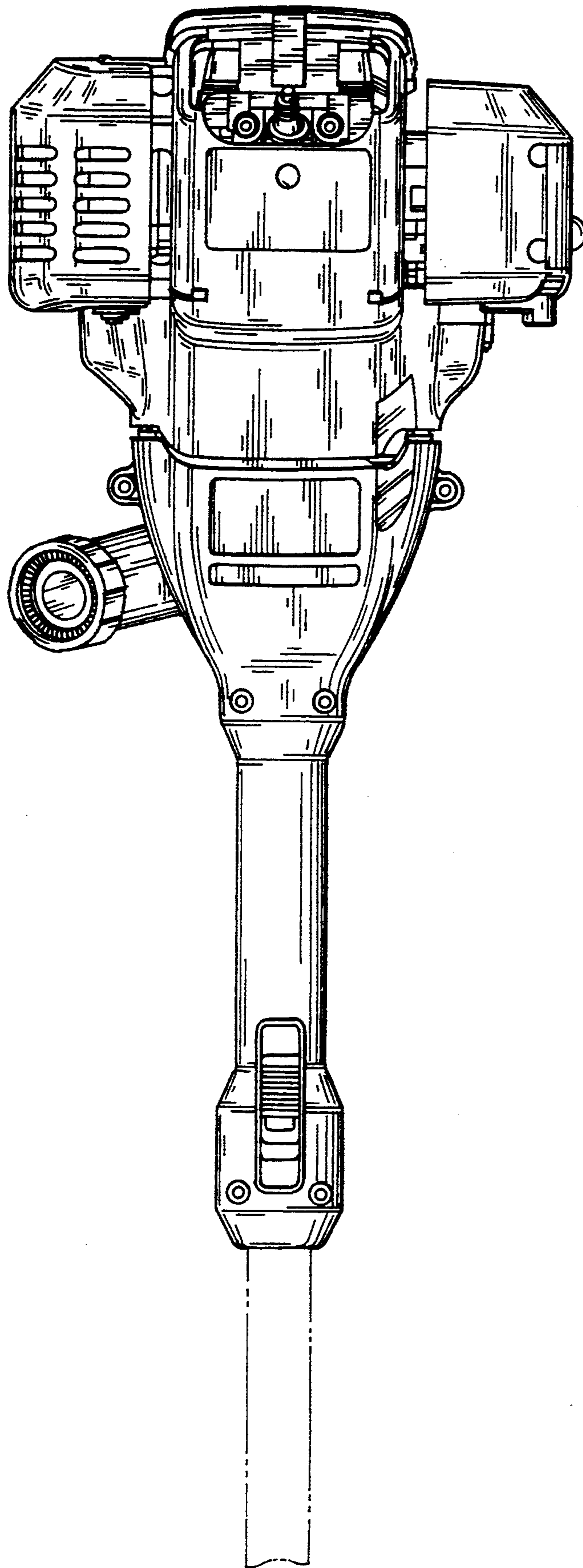


FIG. 4

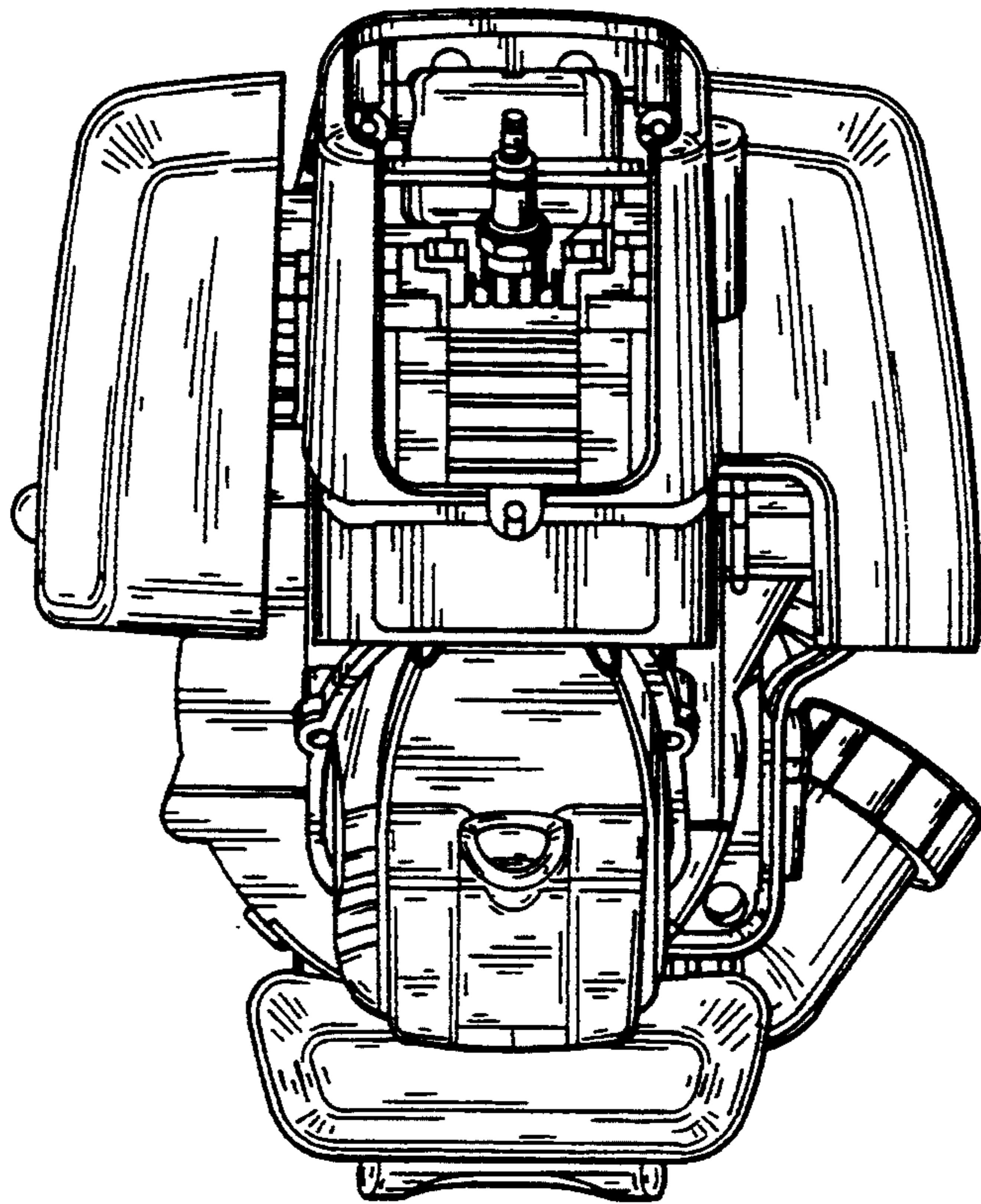


fig-5

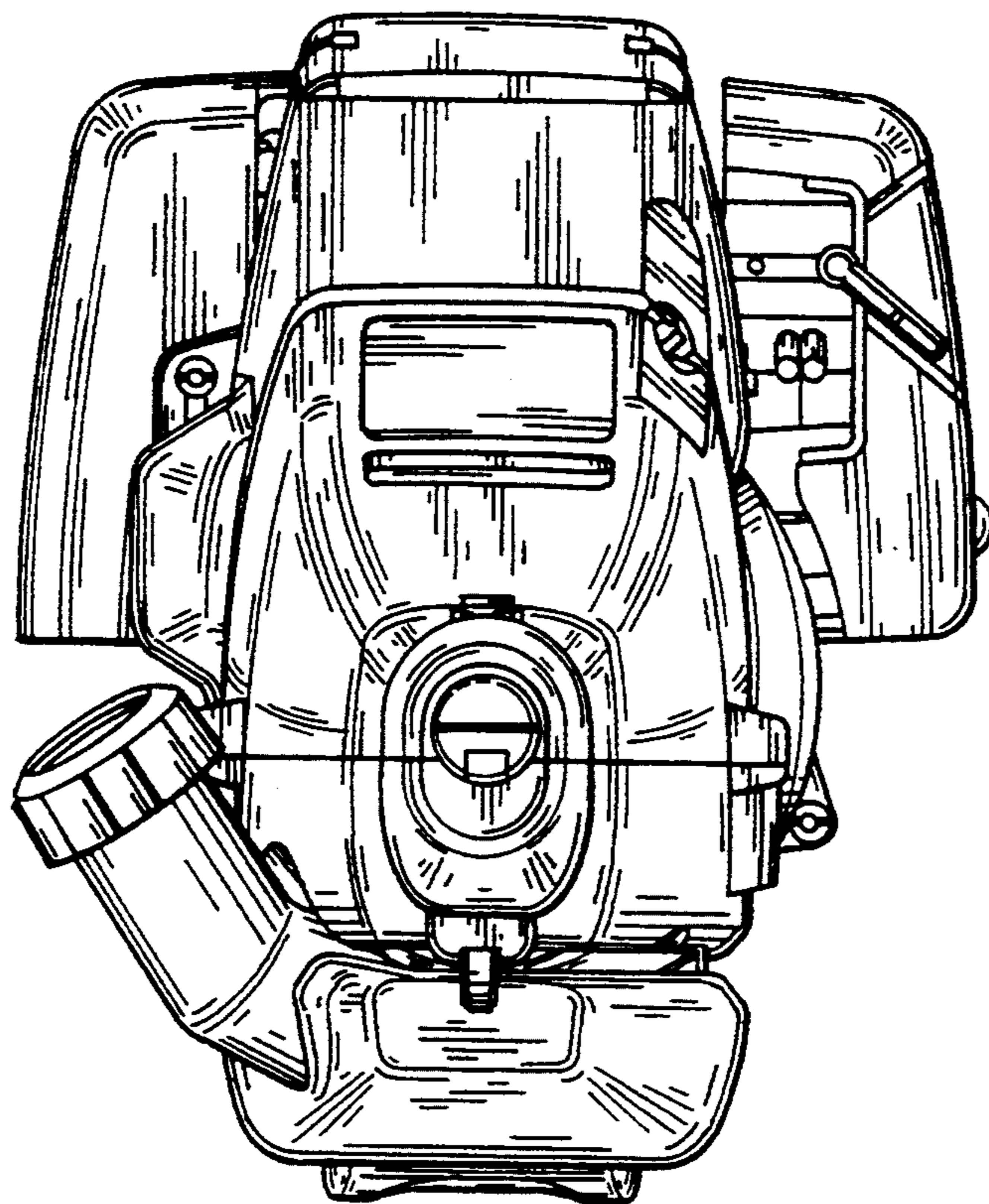


fig-6

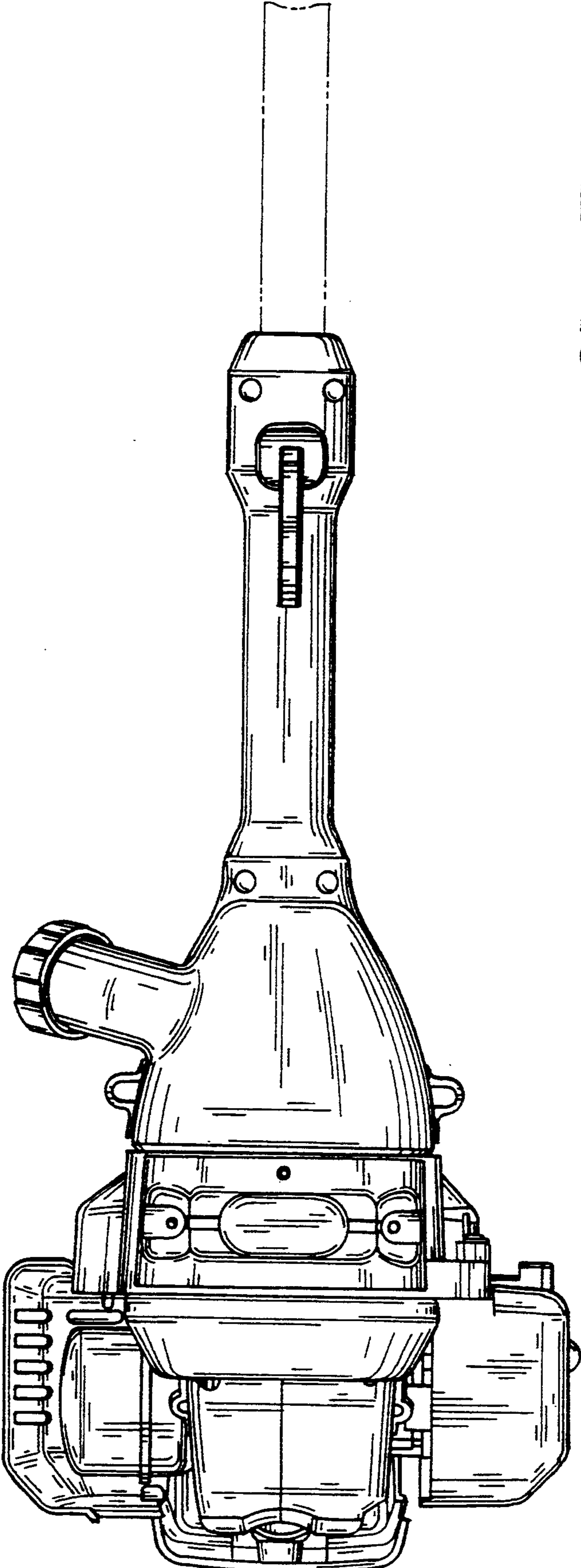


FIG. 7