



US00D355197S

United States Patent [19]

[11] Patent Number: **Des. 355,197**

Farinelli et al.

[45] Date of Patent: **** Feb. 7, 1995**

[54] **FACE PLATE FOR ELECTRONIC HOUSING UNITS**

[75] Inventors: **Robert P. Farinelli**, Lexington; **Dean A. Hatton**, Winchester, both of Ky.

[73] Assignee: **Square D Company**, Palatine, Ill.

[**] Term: **14 Years**

[21] Appl. No.: **818,232**

[22] Filed: **Jan. 8, 1992**

[52] U.S. Cl. **D14/257**

[58] Field of Search **D14/102, 115, 188, 194, D14/197, 198, 217, 219, 224, 257; 455/347, 348, 349; 312/7.1**

[56] **References Cited**

U.S. PATENT DOCUMENTS

- D. 270,531 9/1983 Ekuan D14/217
- D. 304,194 10/1989 Fuller et al. D14/257
- D. 324,862 3/1992 Garmon D14/115

OTHER PUBLICATIONS

Stereo Review, Jun. 1988, p. 14—Adcom GFA-535 power amplifier.

Primary Examiner—Bernard Ansher

Assistant Examiner—Cheri Cohen

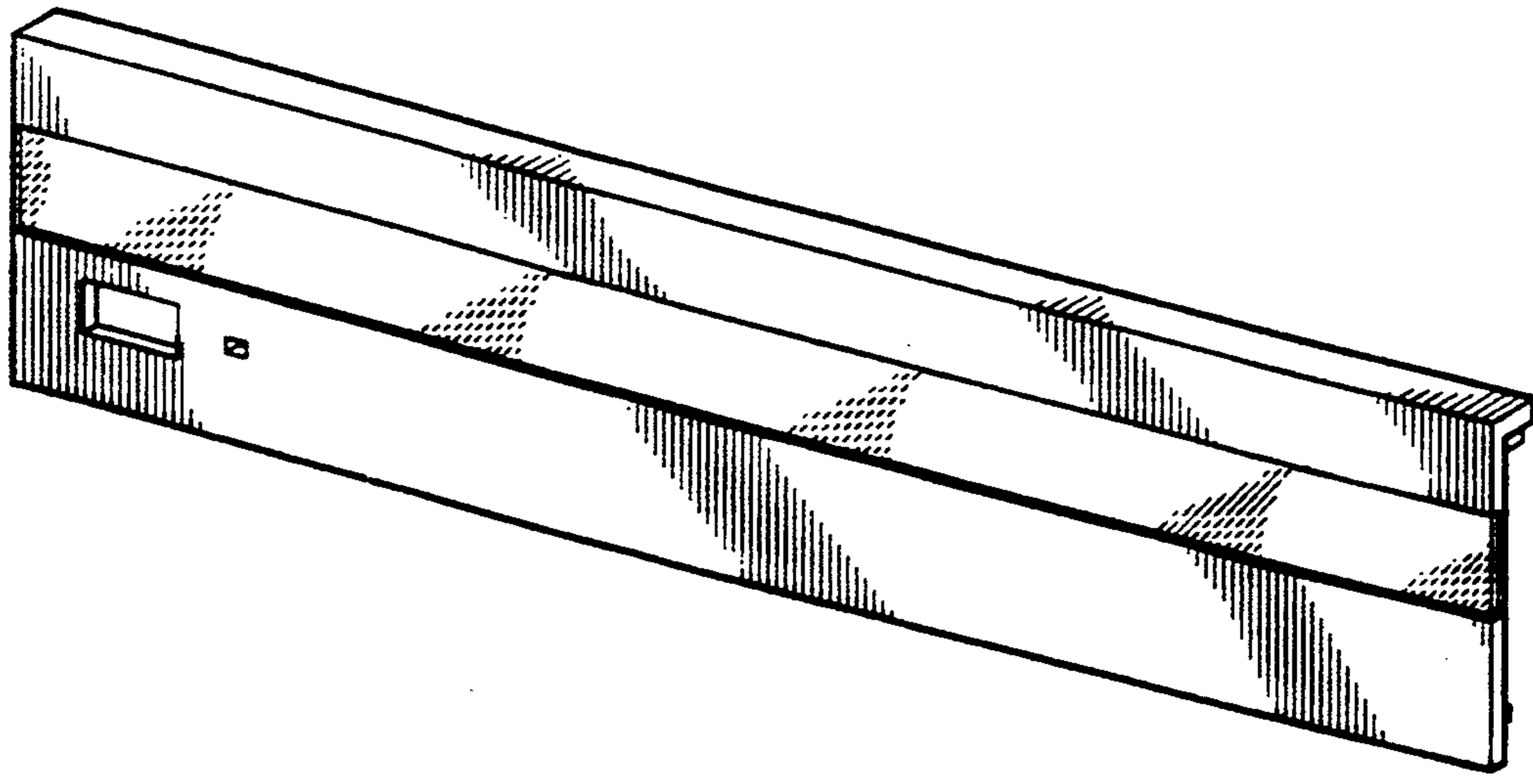
Attorney, Agent, or Firm—Larry I. Golden; Kareem M. Irfan

[57] **CLAIM**

The ornamental design for a face plate for electronic housing units, as shown and described.

DESCRIPTION

FIG. 1 is a perspective view of a face plate for electronic housing units, showing our new design; FIG. 2 is a side elevational view, the undisclosed opposite side is a mirror image of the side shown; FIG. 3 is a front elevational view thereof; FIG. 4 is a top plan view thereof; FIG. 5 is a bottom plan view thereof; and, FIG. 6 is a rear elevational view thereof.



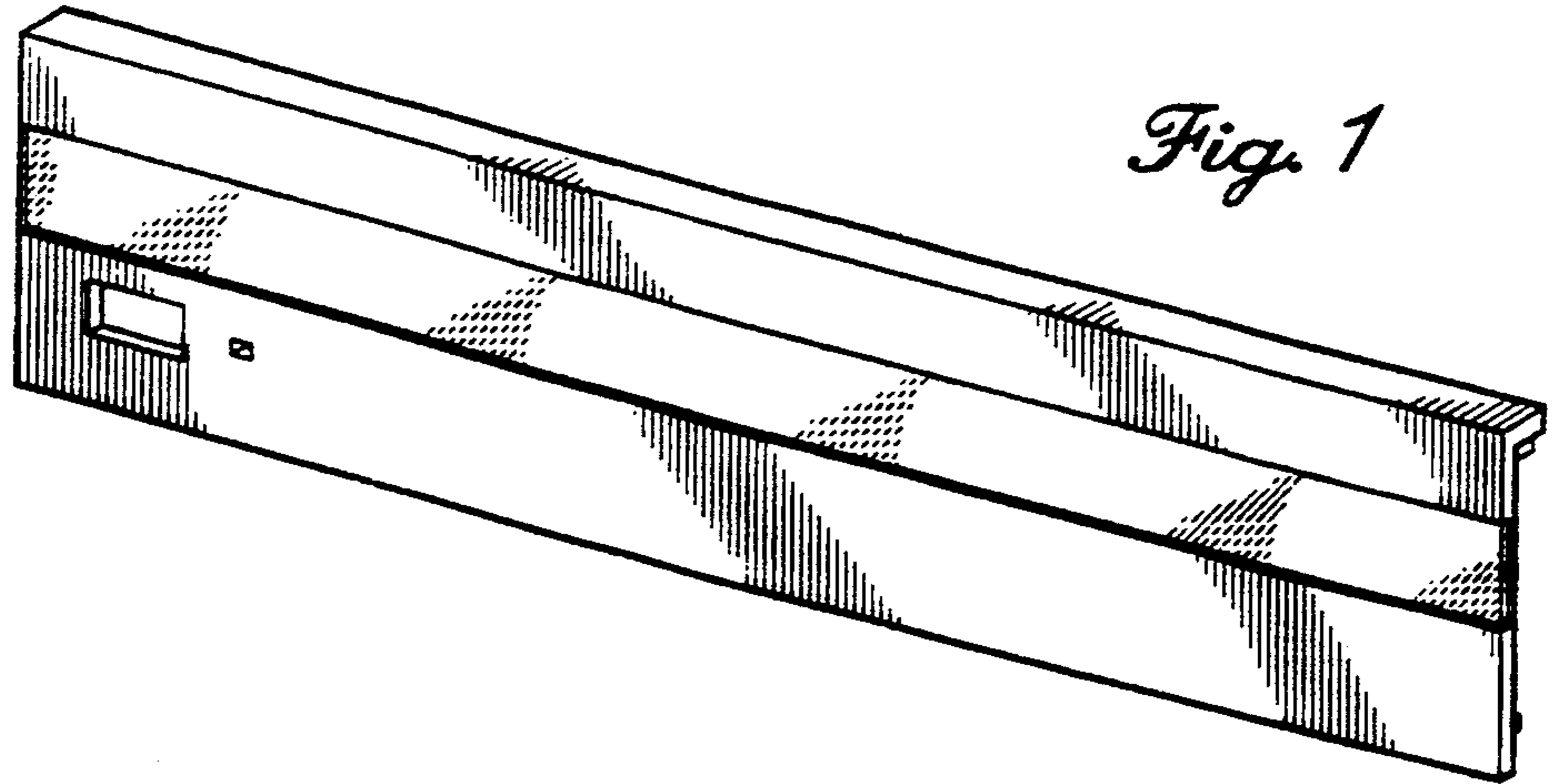


Fig. 1



Fig. 2

Fig. 3

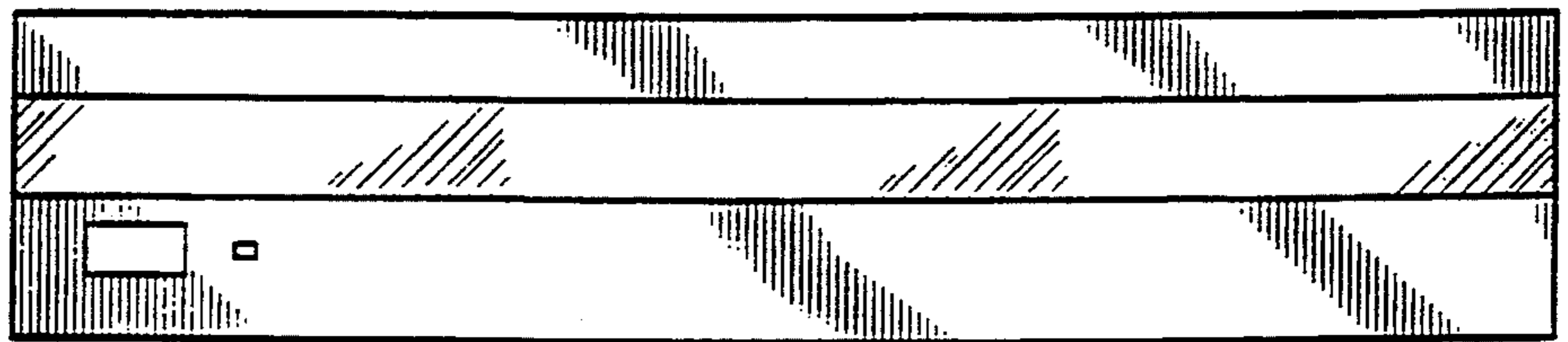


Fig. 4

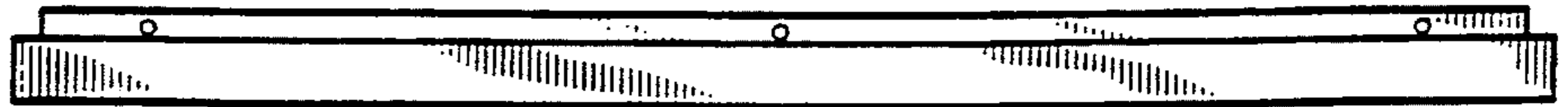


Fig. 5

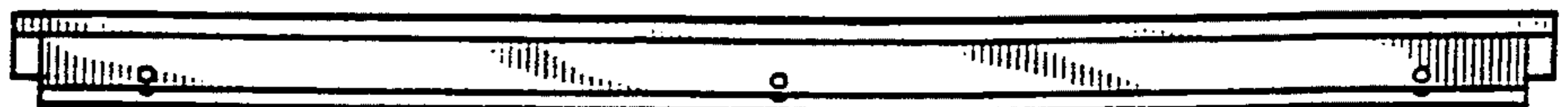


Fig. 6

