



US00D355194S

United States Patent [19]

Burke

[11] Patent Number: **Des. 355,194**

[45] Date of Patent: **** Feb. 7, 1995**

[54] **PROCESSOR FOR A VIDEO EDITING SYSTEM**

D. 333,131 2/1993 Yamamoto D14/107
D. 334,553 6/1993 Kobayashi et al. D14/107

[75] Inventor: **Jonathan Burke**, Corte Madera, Calif.

[73] Assignee: **ImMIX**, a div. of **Carlton Int'l. Corp.**, Grass Valley, Calif.

[**] Term: **14 Years**

[21] Appl. No.: **4,121**

[22] Filed: **Jan. 27, 1993**

[52] U.S. Cl. **D14/217; D14/124**

[58] Field of Search **D14/124, 125, 217, 239, D14/299, 107, 108, 109; D13/184**

[56] **References Cited**

U.S. PATENT DOCUMENTS

- D. 262,287 12/1981 Urbanus et al. D14/100
- D. 301,476 6/1989 Scianna, Sr. et al. D14/188
- D. 308,671 8/1990 Aderman et al. D14/109 X
- D. 314,562 2/1991 Ito et al. D14/108

OTHER PUBLICATIONS

Stereo Review, Jun. 1987, p. 70, Left center-Bose Acoustic Wave Music System.
Stereo Review, Jan. 1988, p. 11, Right center-Revox B 242 power amplifier.

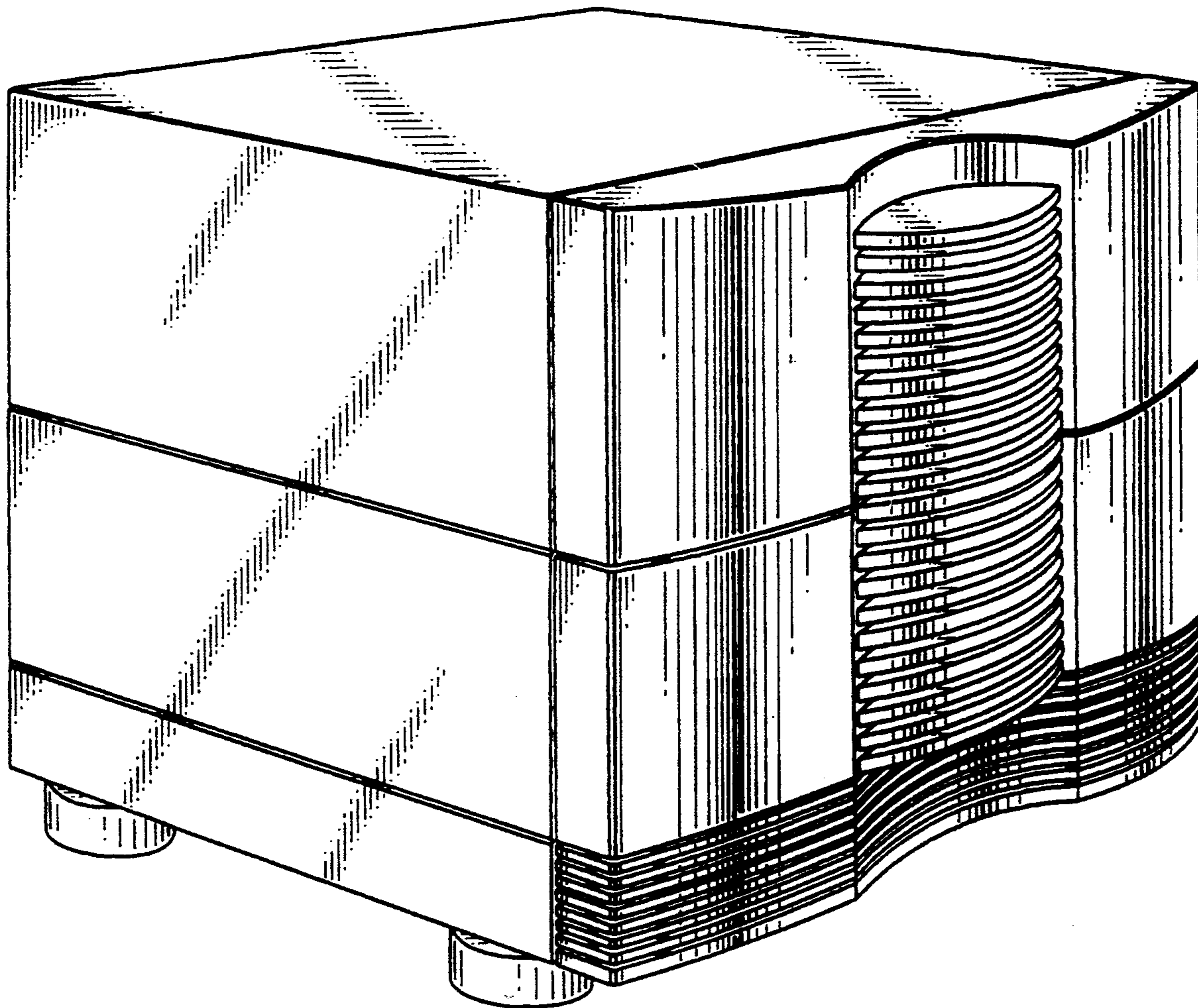
Primary Examiner—Theodore M. Shooman

[57] **CLAIM**

The ornamental design for a processor for a video editing system, as shown and described.

DESCRIPTION

FIG. 1 is a top, front and left side perspective view of a processor for a video editing system showing my new design;
FIG. 2 is a front elevational view thereof;
FIG. 3 is a left side elevational view thereof, the right side being a mirror image; and,
FIG. 4 is a top plan view thereof.
The rear and bottom are unornamented.



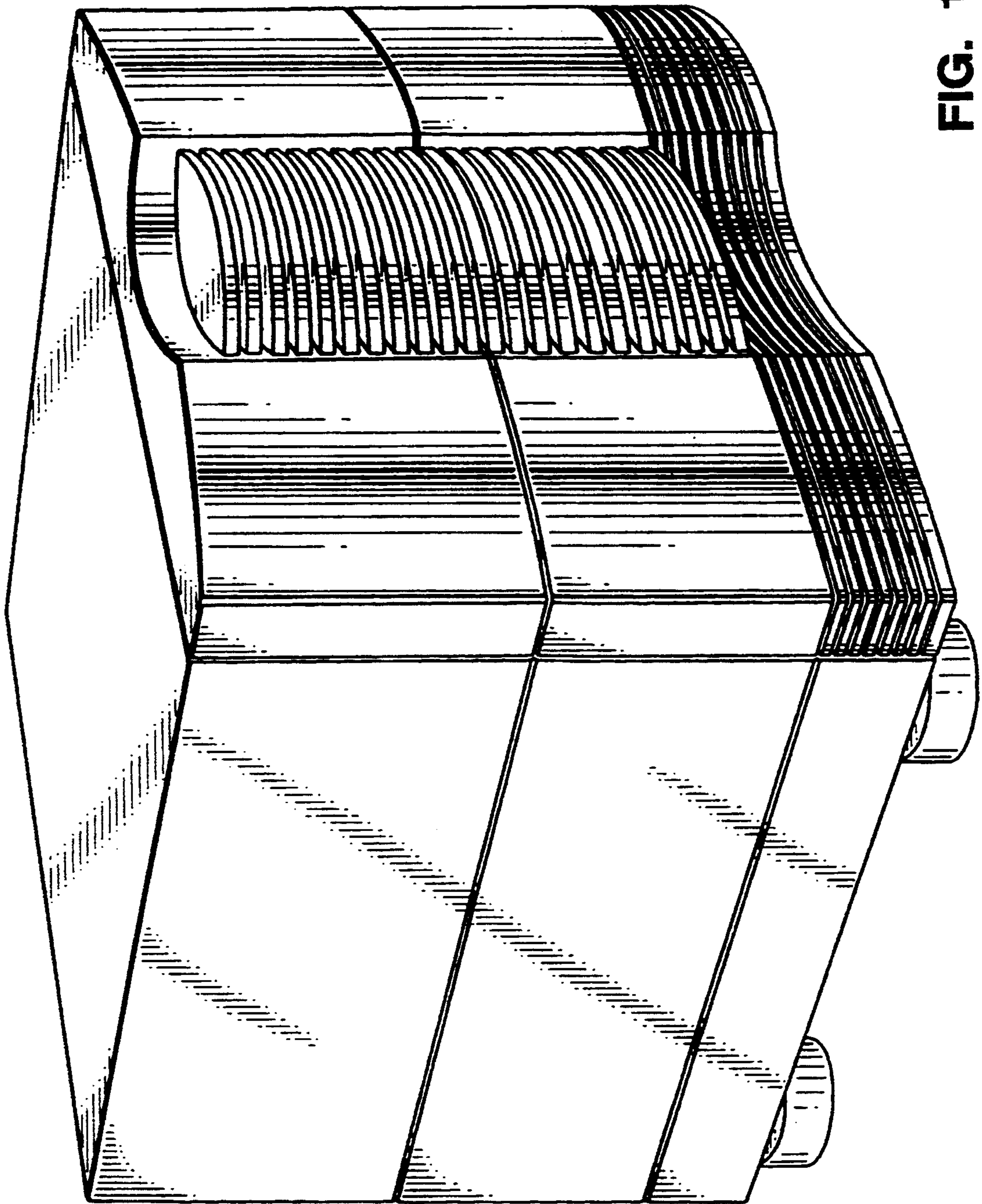


FIG. 1

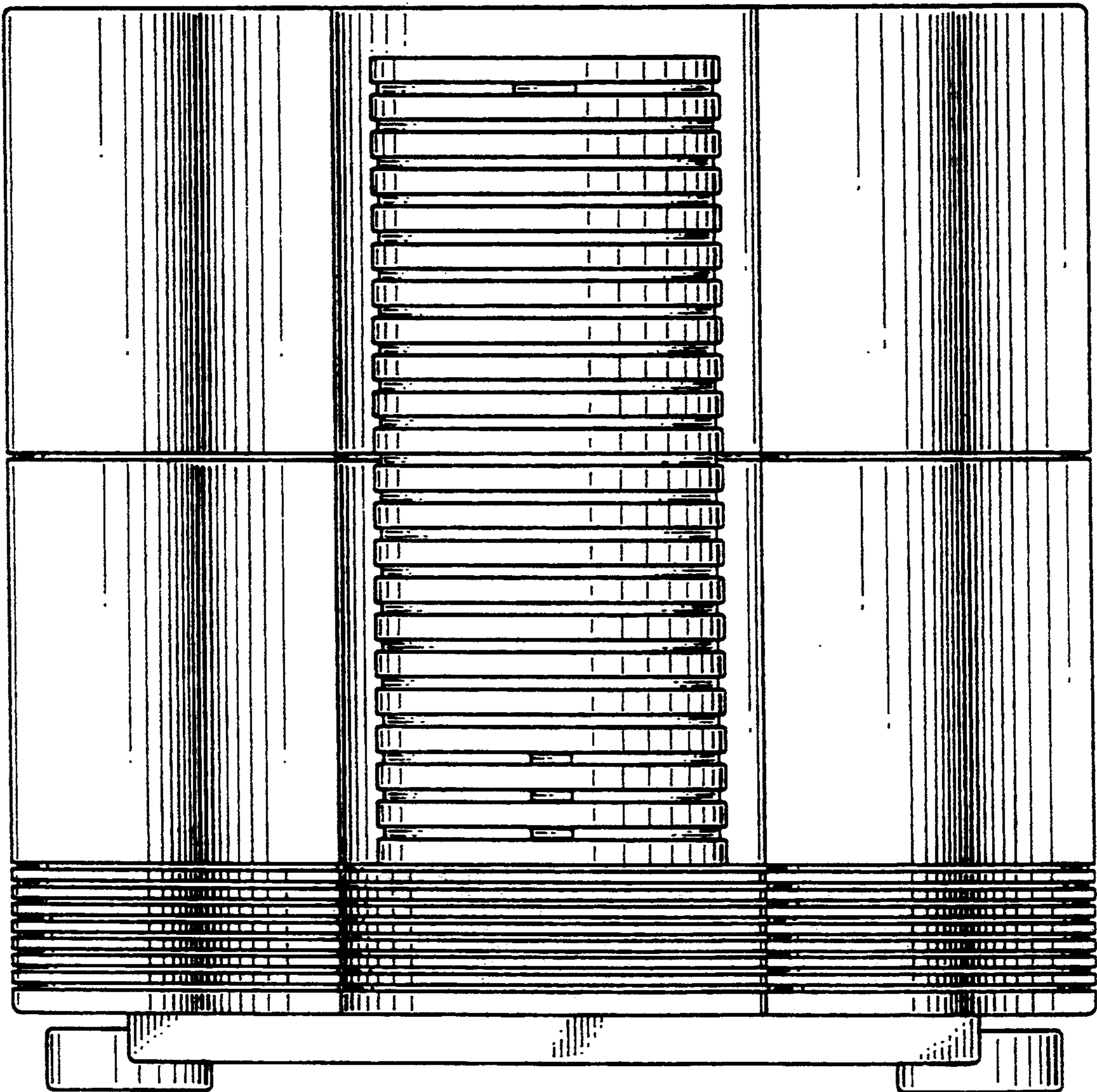


FIG. 2

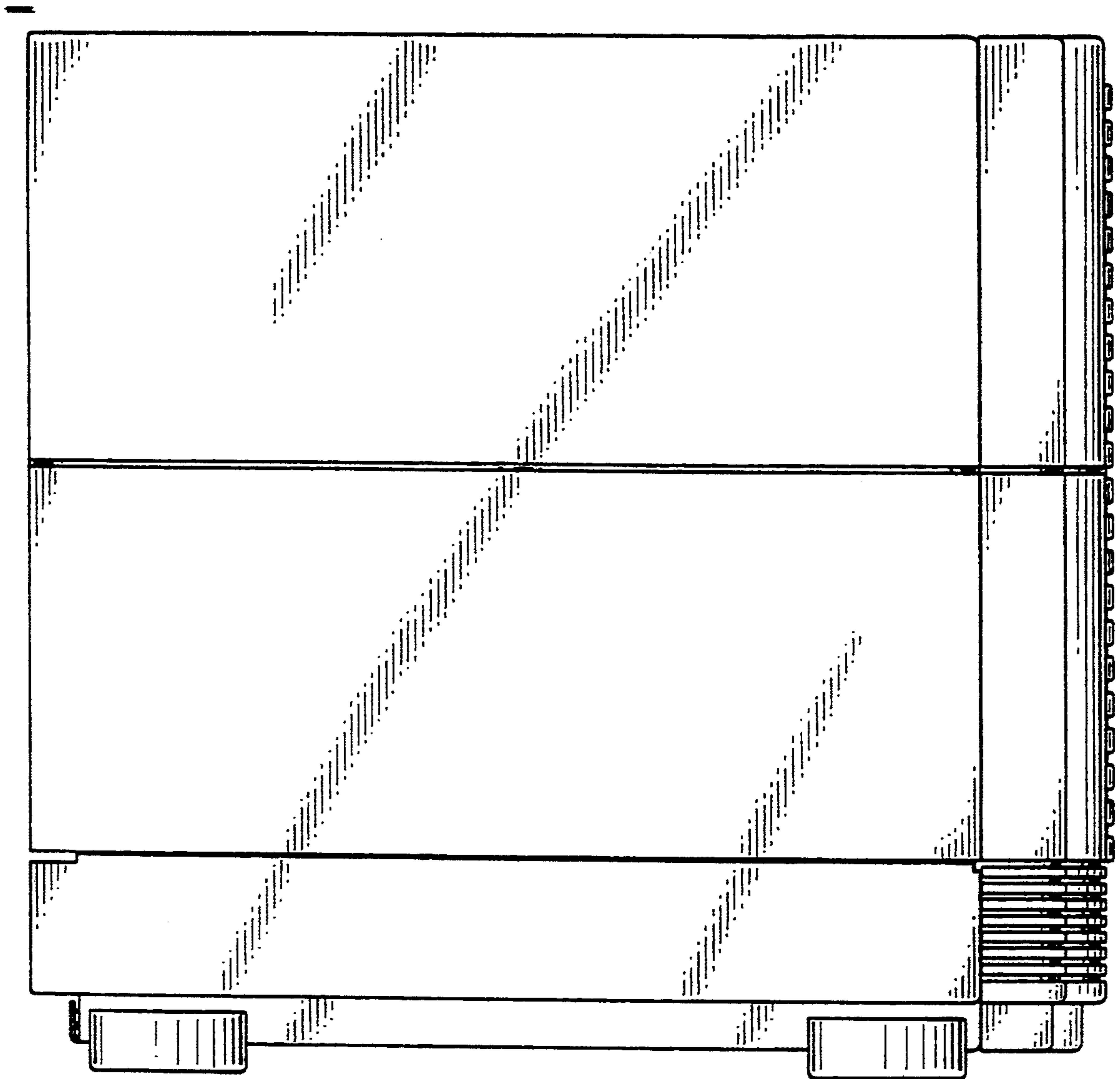


FIG. 3

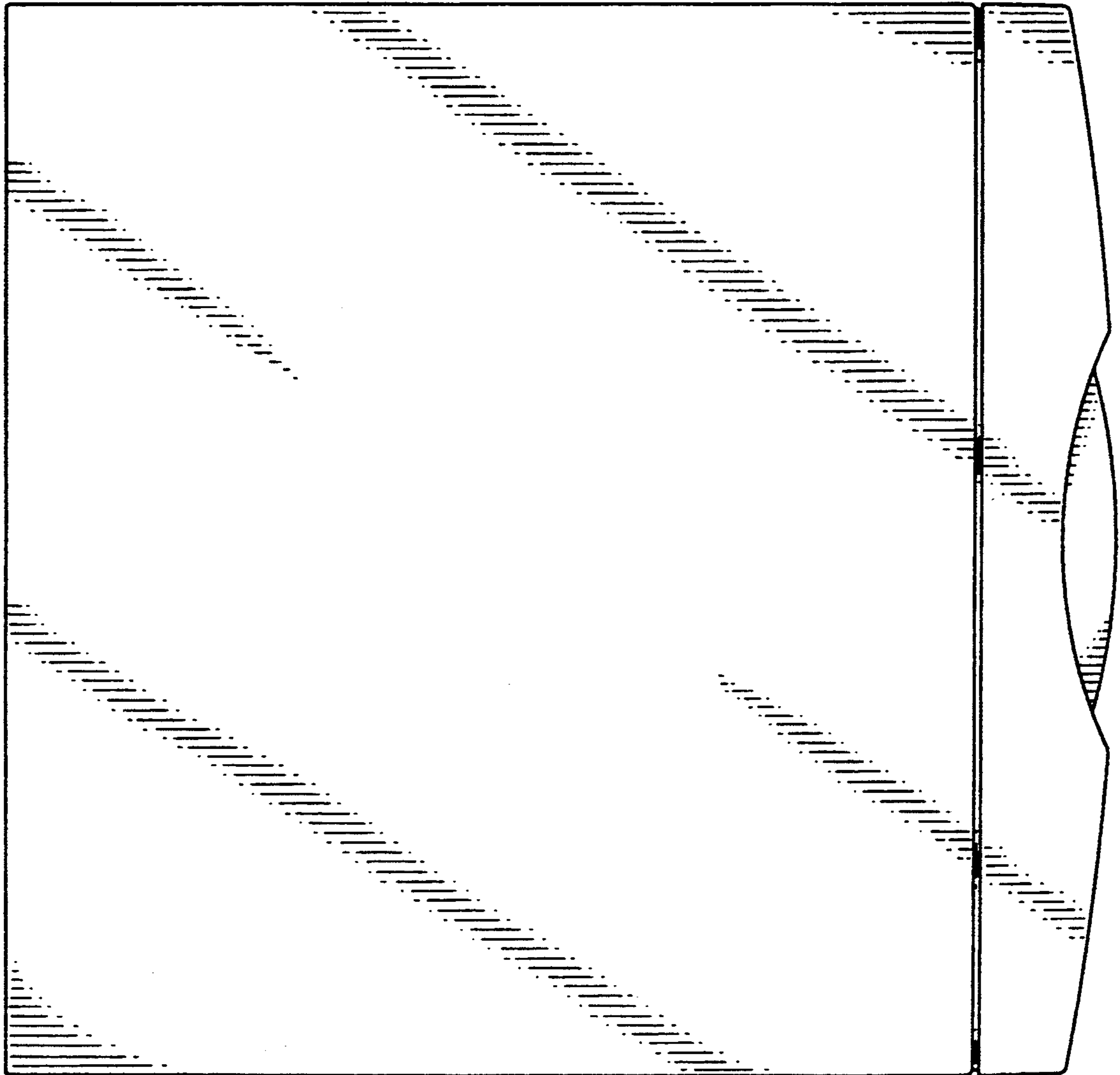


FIG. 4