



US00D355193S

# United States Patent [19]

[11] Patent Number: **Des. 355,193**

Irby

[45] Date of Patent: **\*\* Feb. 7, 1995**

[54] **SUB-WOOFER ENCLOSURE**

[75] Inventor: **Steven M. Irby, Stillwater, Okla.**

[73] Assignee: **Stillwater Designs & Audio, Inc., Stillwater, Okla.**

[\*\*] Term: **14 Years**

[21] Appl. No.: **4,003**

[22] Filed: **Jan. 22, 1993**

[52] U.S. Cl. .... **D14/210**

[58] Field of Search ..... **D14/204, 210; D7/609; D99/29, 31, 32; 232/17, 19, 39; 381/88, 90; 181/148, 153, 199**

|           |         |                   |         |
|-----------|---------|-------------------|---------|
| 2,310,243 | 2/1943  | Klipsch .....     | 181/27  |
| 2,337,213 | 12/1943 | Topping, Jr. .... | 181/31  |
| 2,373,692 | 4/1945  | Klipsch .....     | 179/1   |
| 2,731,101 | 1/1956  | Klipsch .....     | 181/31  |
| 3,101,810 | 8/1963  | Doschek .....     | 181/31  |
| 3,824,343 | 7/1974  | Dahlquist .....   | 179/1 E |
| 3,833,168 | 9/1974  | Sackrison .....   | 232/39  |
| 4,014,597 | 3/1977  | Griffin, Jr. .... | 312/7 R |
| 4,176,730 | 12/1979 | Mushkin .....     | 181/148 |
| 4,289,929 | 9/1981  | Hathaway .....    | 179/1 E |
| 4,493,389 | 1/1985  | Del Rosario ..... | 181/152 |
| 4,582,162 | 4/1986  | Katsuno .....     | 181/141 |
| 4,588,123 | 5/1986  | Plew .....        | 232/39  |

### OTHER PUBLICATIONS

Crutchfeld; Fall/93 & Winter/93; p. 100; Velodyne subwoofer (lower left).

Stereo Review; Sep./1988; p. 68; subwoofer (lower right).

Crutchfeld; Summer 1991; p. 100; Bose subwoofer (lower right).

Crutchfeld; Summer 1991; p. 97; Advent subwoofer (right center).

*Primary Examiner*—B. J. Bullock

*Attorney, Agent, or Firm*—Dunlap, Coddling & Lee

[56] **References Cited**

#### U.S. PATENT DOCUMENTS

|            |         |                      |          |
|------------|---------|----------------------|----------|
| D. 209,289 | 11/1967 | Spranger .....       | D26/14   |
| D. 210,382 | 3/1968  | Lane .....           | D26/14   |
| D. 215,160 | 9/1969  | Warren et al. ....   | D26/14   |
| D. 227,904 | 7/1973  | Takeoka et al. ....  | D26/14 G |
| D. 229,565 | 12/1973 | Legorju .....        | D26/14 G |
| D. 233,842 | 12/1974 | Petroff .....        | D26/14 G |
| D. 234,604 | 3/1975  | Shimizu .....        | D26/14 G |
| D. 237,804 | 11/1975 | Kizawa .....         | D26/14 G |
| D. 239,012 | 3/1976  | Ross .....           | D26/14 G |
| D. 242,806 | 12/1976 | Stone .....          | D26/14 G |
| D. 249,683 | 9/1978  | Rams .....           | D14/211  |
| D. 251,909 | 5/1979  | Larson .....         | D14/33   |
| D. 258,359 | 2/1981  | Iijima .....         | D14/34   |
| D. 260,390 | 8/1981  | Bertagni .....       | D14/33   |
| D. 262,793 | 1/1982  | Hathaway et al. .... | D14/33   |
| D. 263,470 | 5/1982  | Hobrough et al. .... | D14/33   |
| D. 264,464 | 5/1982  | Ward .....           | D14/34   |
| D. 265,822 | 8/1982  | Hartwein et al. .... | D14/34   |
| D. 269,871 | 7/1983  | Ishizaki .....       | D14/34   |
| D. 269,872 | 7/1983  | Ishizaki .....       | D14/34   |
| D. 276,227 | 11/1984 | Nakamura .....       | D14/33   |
| D. 305,333 | 1/1990  | Irby .....           | D14/214  |
| 2,036,832  | 4/1936  | Scheldorf .....      | 181/31   |

### CLAIM

The ornamental design for a sub-woofer enclosure, as shown and described.

### DESCRIPTION

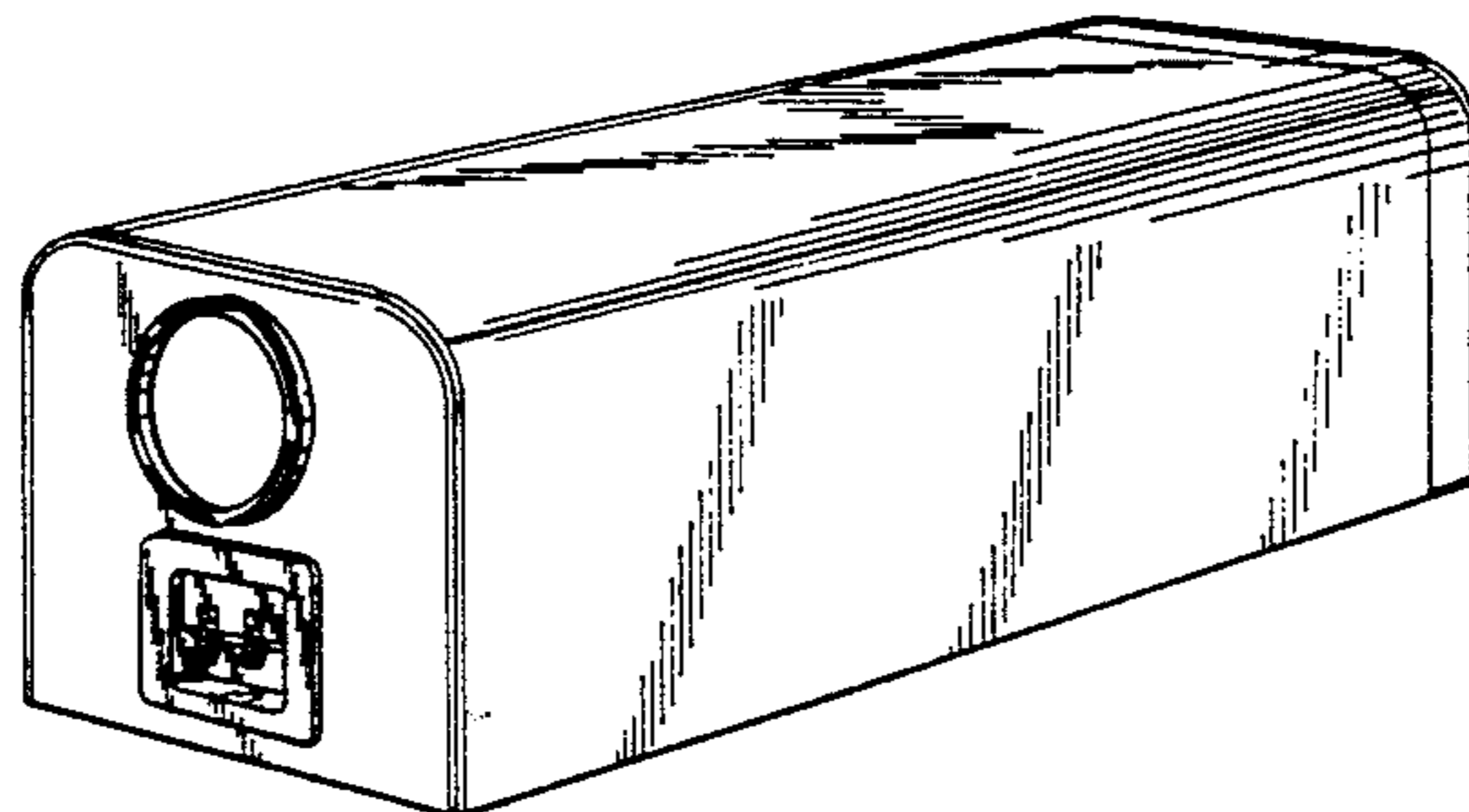
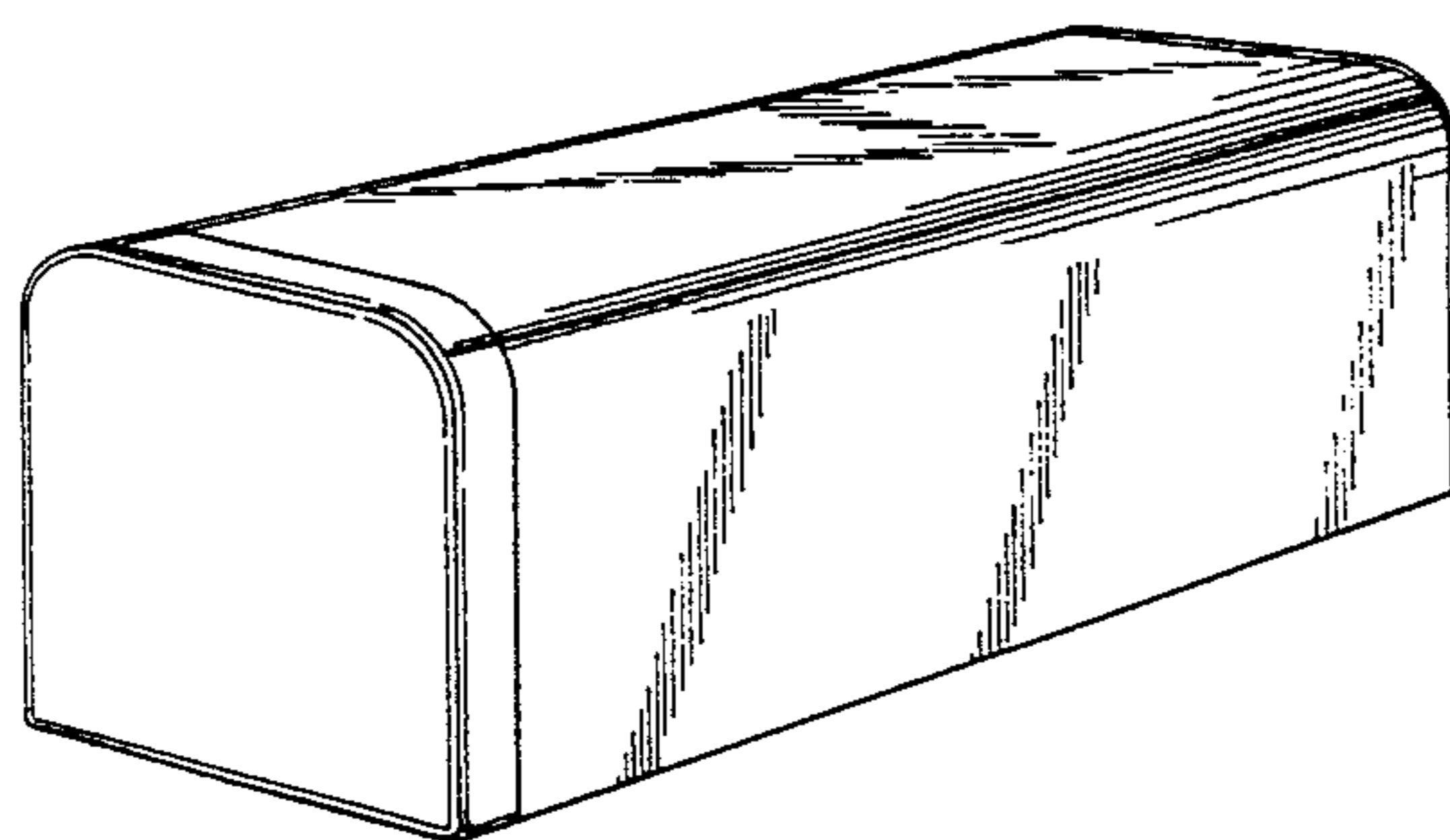
FIG. 1 is a perspective view of a sub-woofer enclosure in accordance with my new design, showing the first side and the first end thereof;

FIG. 2 is a top plan view thereof;

FIG. 3 is a side elevational view thereof, the opposite side thereof being a mirror image thereto;

FIG. 4 is a bottom plan view thereof; and,

FIG. 5 is a perspective view showing the second side and the second end of the sub-woofer enclosure.



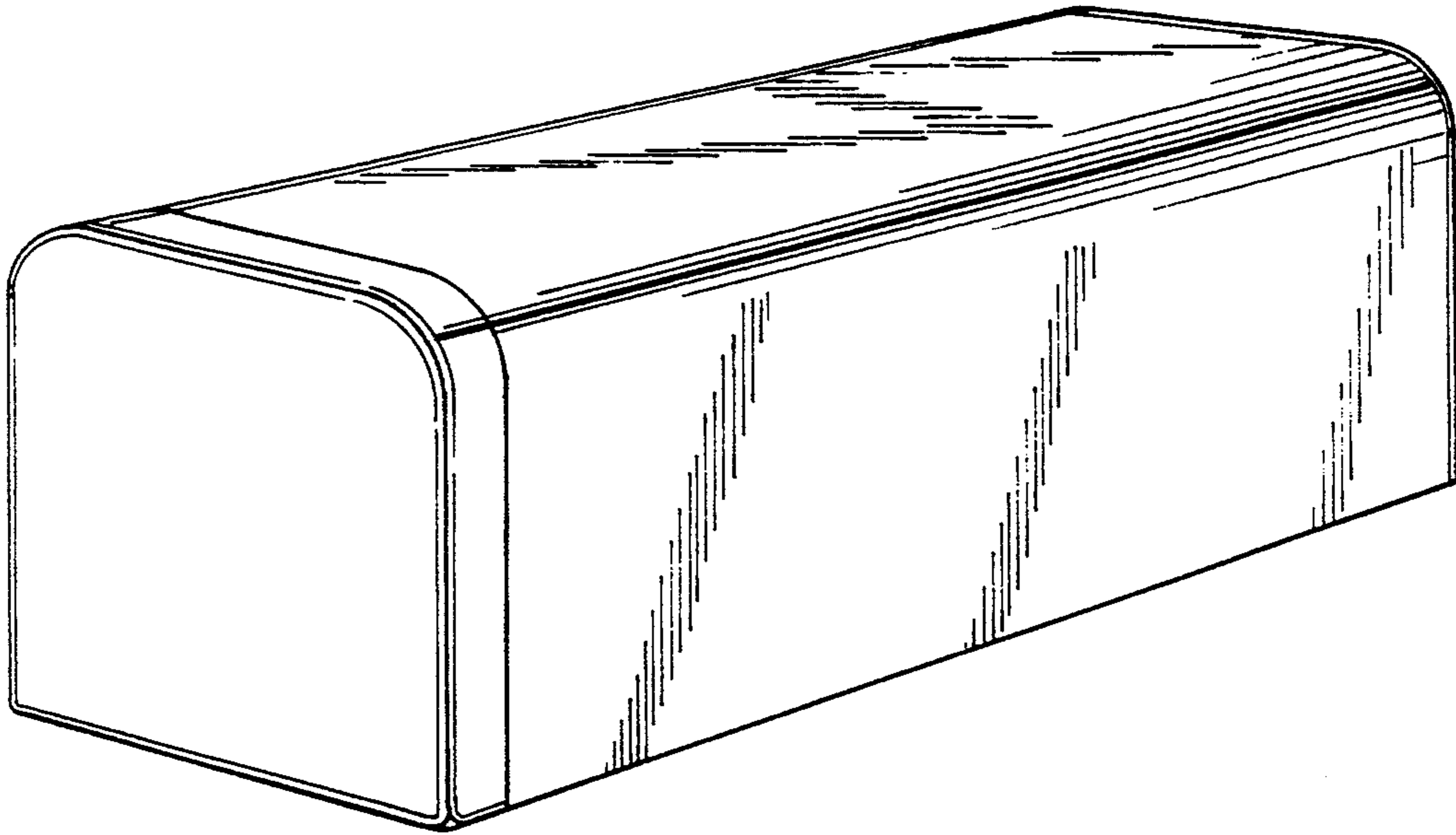


FIG. 1

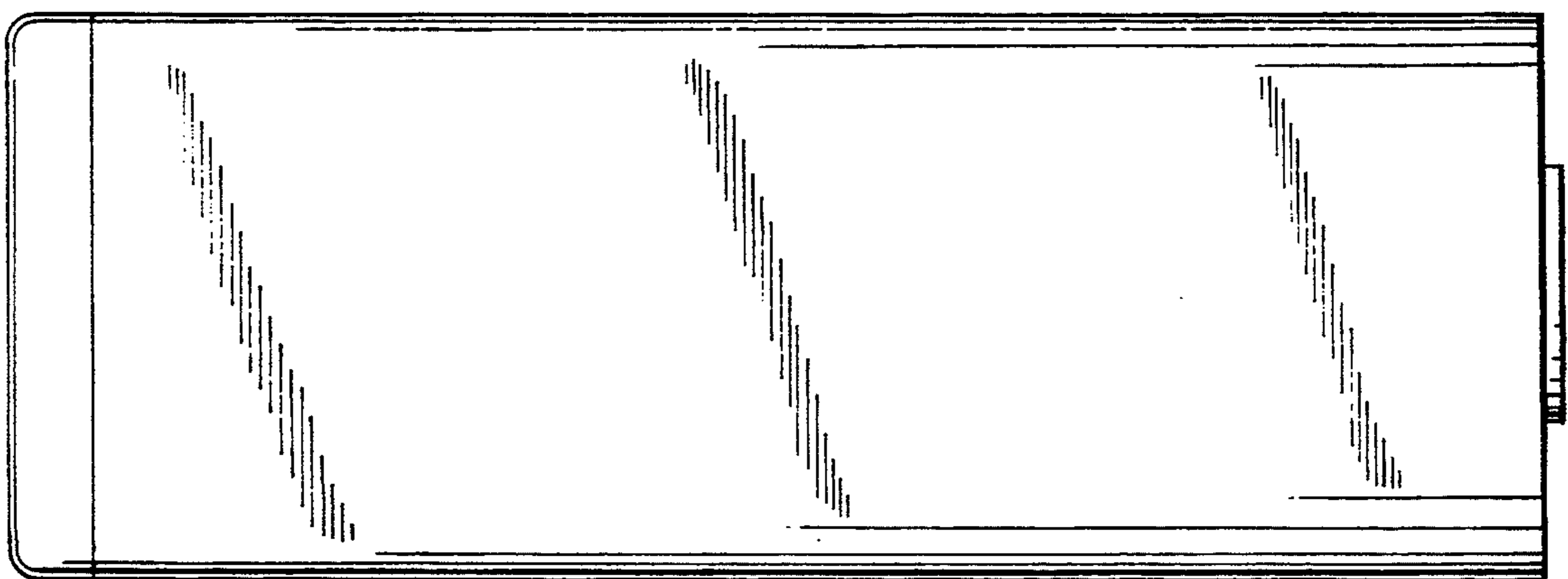


FIG. 2

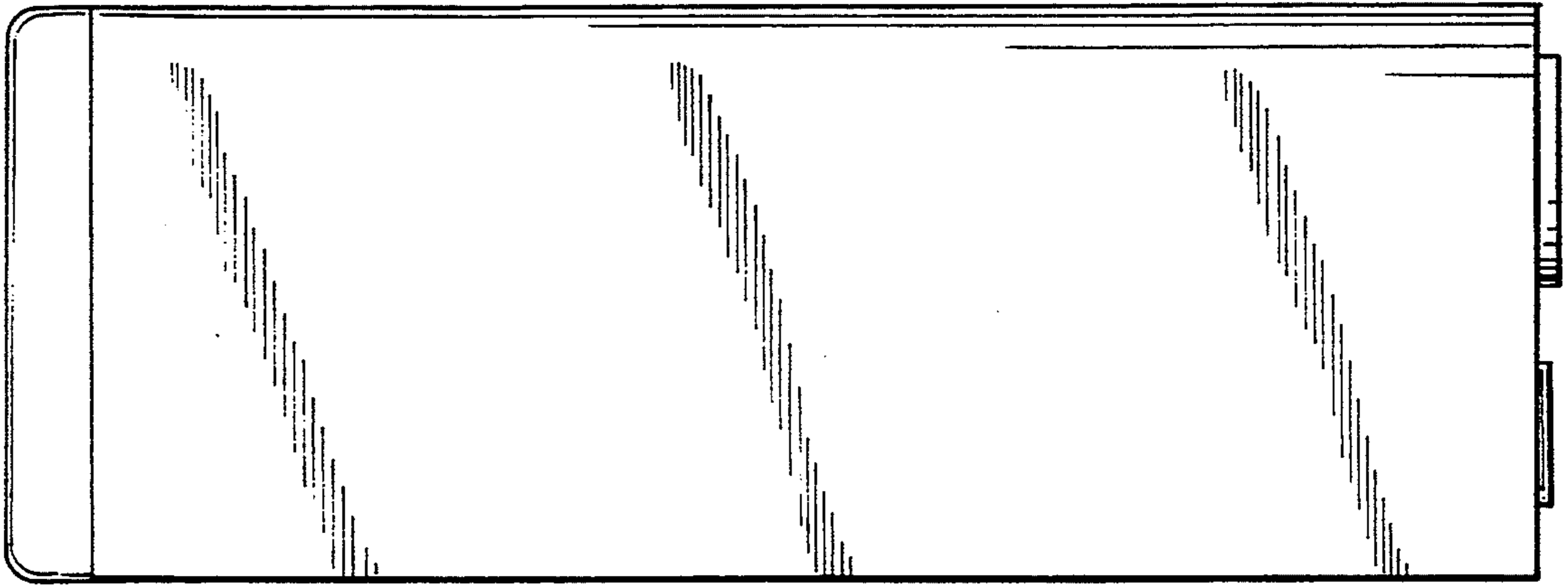


FIG. 3

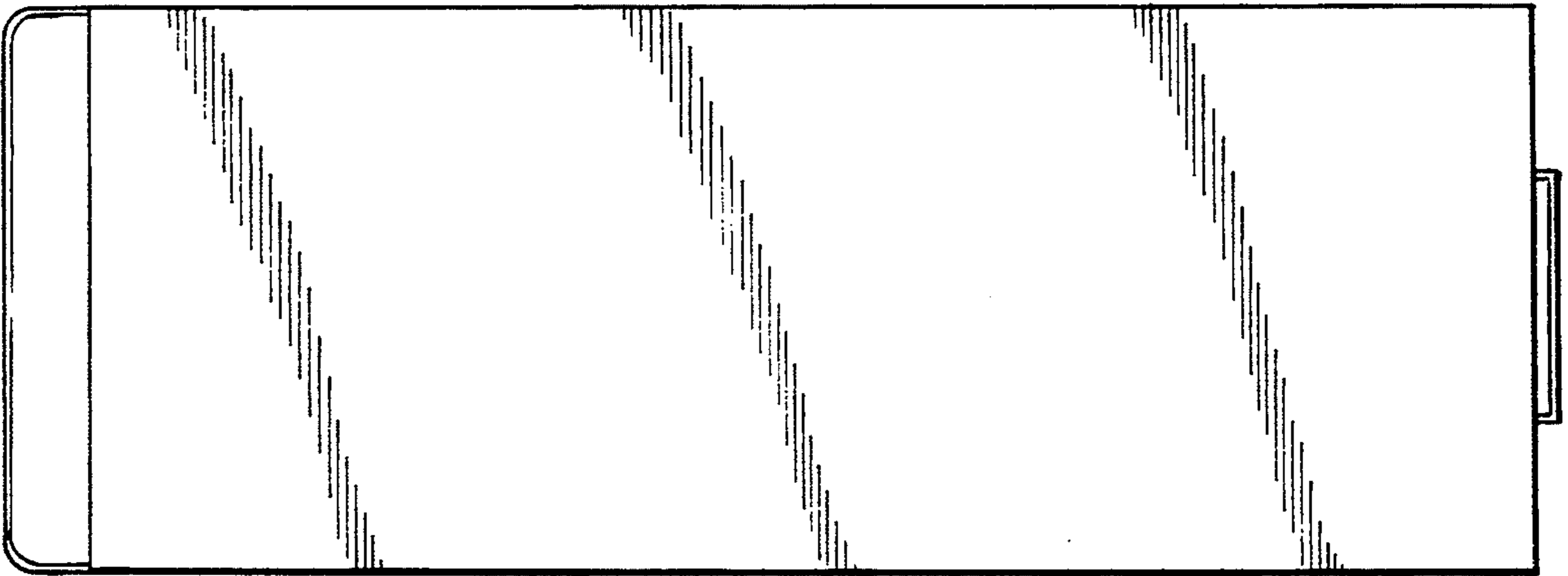


FIG. 4

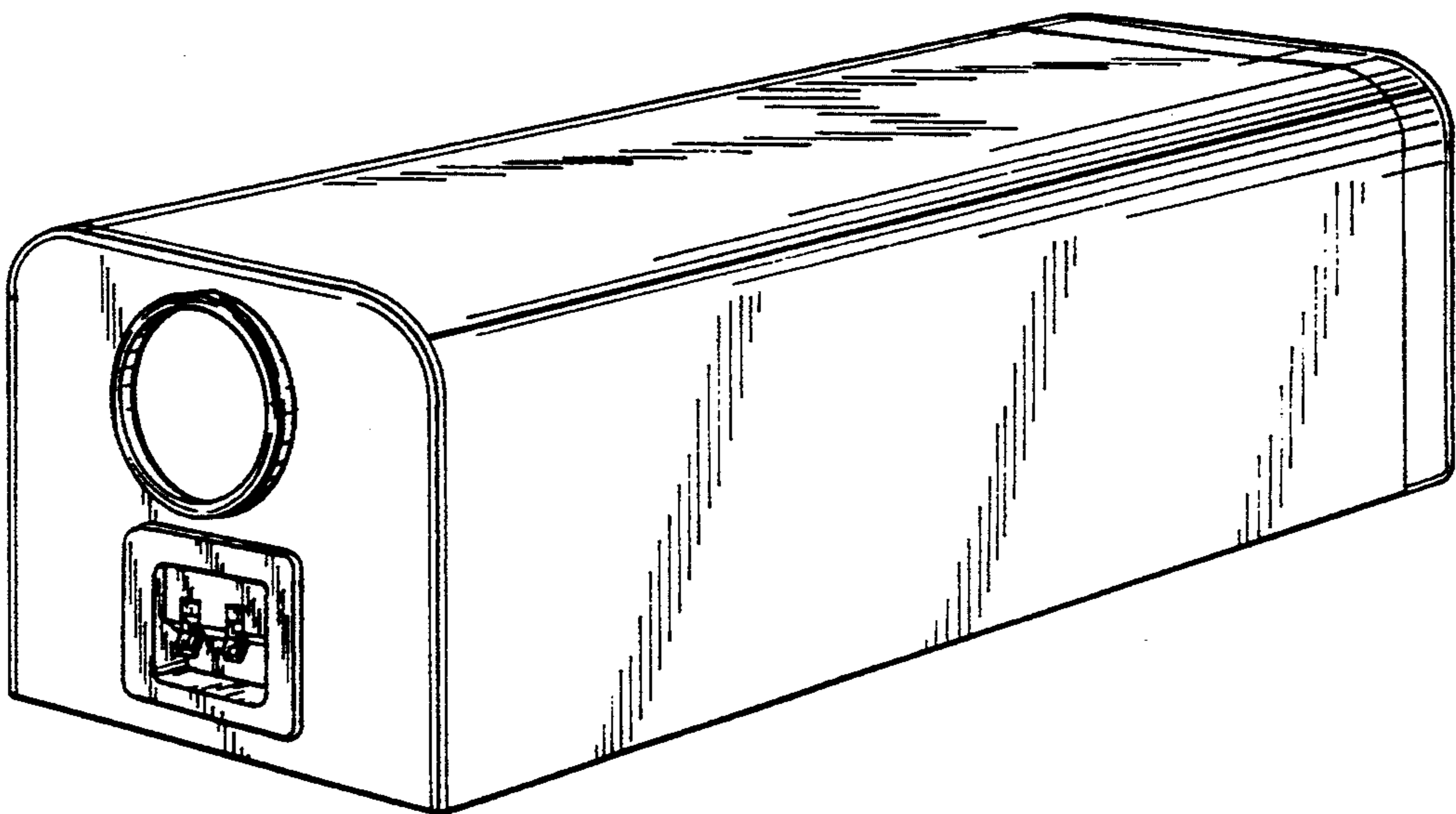


FIG. 5