



US00D355182S

# United States Patent [19]

[11] Patent Number: Des. 355,182

Namba

[45] Date of Patent: \*\* Feb. 7, 1995

## [54] PORTABLE RADIO TELEPHONE

[75] Inventor: Seiji Namba, Kobayashi, Japan

[73] Assignee: Kabushiki Kaisha Toshiba, Kawasaki, Japan

[\*\*] Term: 14 Years

[21] Appl. No.: 948,858

[22] Filed: Sep. 15, 1992

[52] U.S. Cl. .... D14/138; D14/148

[58] Field of Search ..... D14/137, 138, 147, 148, D14/140, 142, 149-151, 240, 241, 247, 248; 379/419, 420, 428, 440, 436, 435, 434, 433, 58-61; D13/6, 7, 11

### [56] References Cited

#### U.S. PATENT DOCUMENTS

D. 282,544	2/1986	Wu	.....	D14/147
D. 283,126	3/1986	Marshall	.....	D14/147
D. 306,298	2/1990	Sawada et al.	.....	D14/147 X
D. 319,441	8/1991	Konno et al.	.....	D14/138 X
D. 345,157	3/1994	Happo et al.	.....	D14/138
D. 345,158	3/1994	Namba et al.	.....	D14/138
D. 345,355	3/1994	Konno et al.	.....	D14/138
D. 345,555	3/1994	Yokouchi et al.	.....	D14/138
D. 346,164	4/1994	Shirakawa et al.	.....	D14/138

## OTHER PUBLICATIONS

Japanese Official Gazette No. 709305 published Jul. 16, 1987.

Japanese Official Gazette No. 708923 published Jul. 10, 1987.

Primary Examiner—Nelson C. Holtje

Assistant Examiner—Jeffrey Asch

Attorney, Agent, or Firm—Oblon, Spivak, McClelland, Maier, & Neustadt

## [57] CLAIM

The ornamental design for a portable radio telephone, as shown and described.

## DESCRIPTION

FIG. 1 is a front, top and right side perspective view of a portable radio telephone showing my new design; FIG. 2 is a front elevational view thereof; FIG. 3 is a top plan view thereof; FIG. 4 is a bottom plan view thereof; FIG. 5 is a right side elevational view thereof; FIG. 6 is a rear elevational view thereof; FIG. 7 is a front elevational view thereof with upper and lower units closed in a storage position; FIG. 8 is a right side elevational view thereof with upper and lower units closed in a storage position; FIG. 9 is a top plan view thereof with upper and lower units closed in a storage position; and, FIG. 10 is a bottom plan view thereof with upper and lower units closed in a storage position.

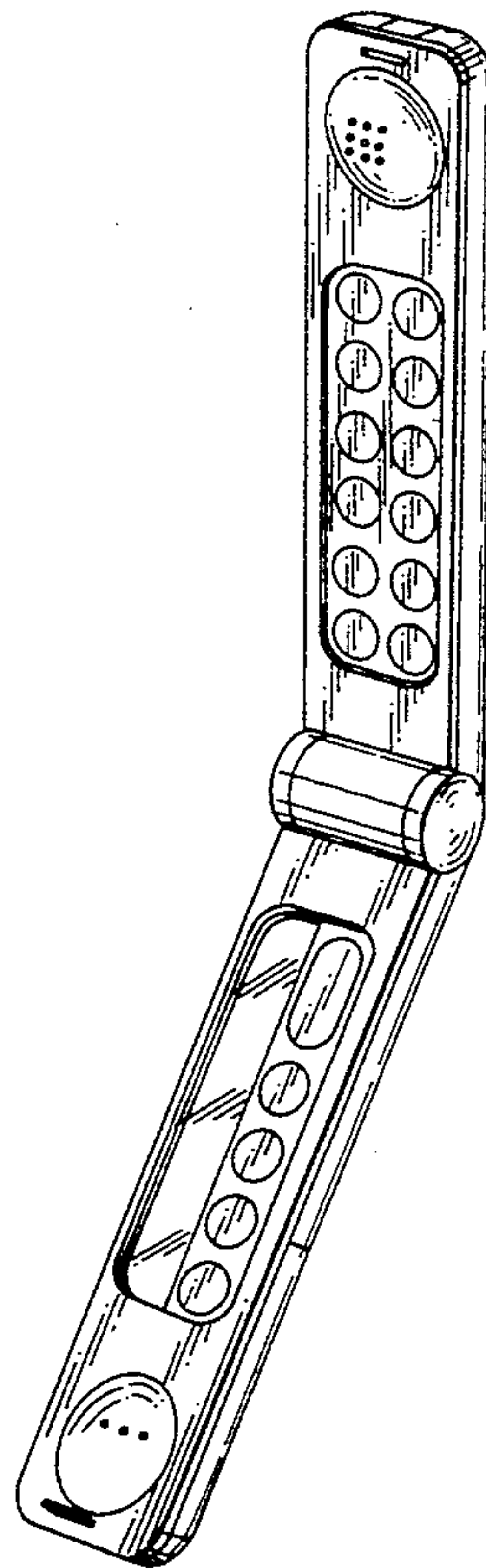


FIG. 1

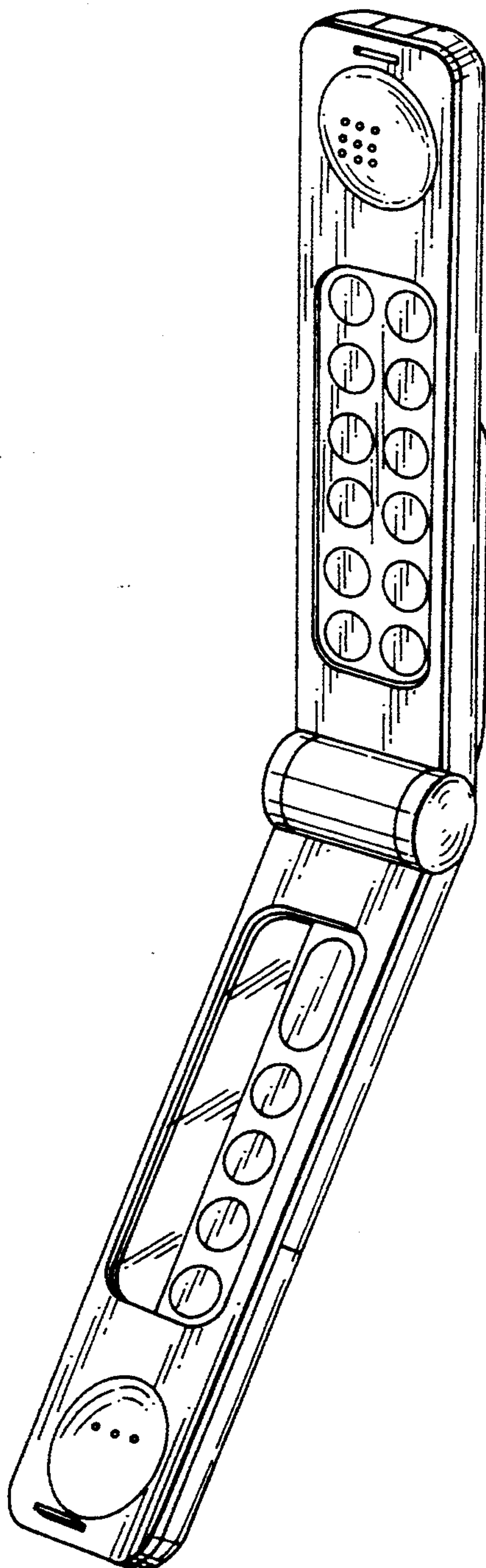


FIG. 2

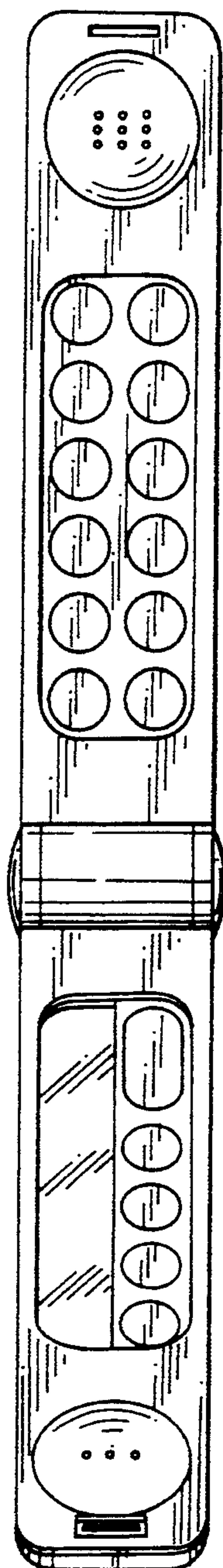


FIG. 3

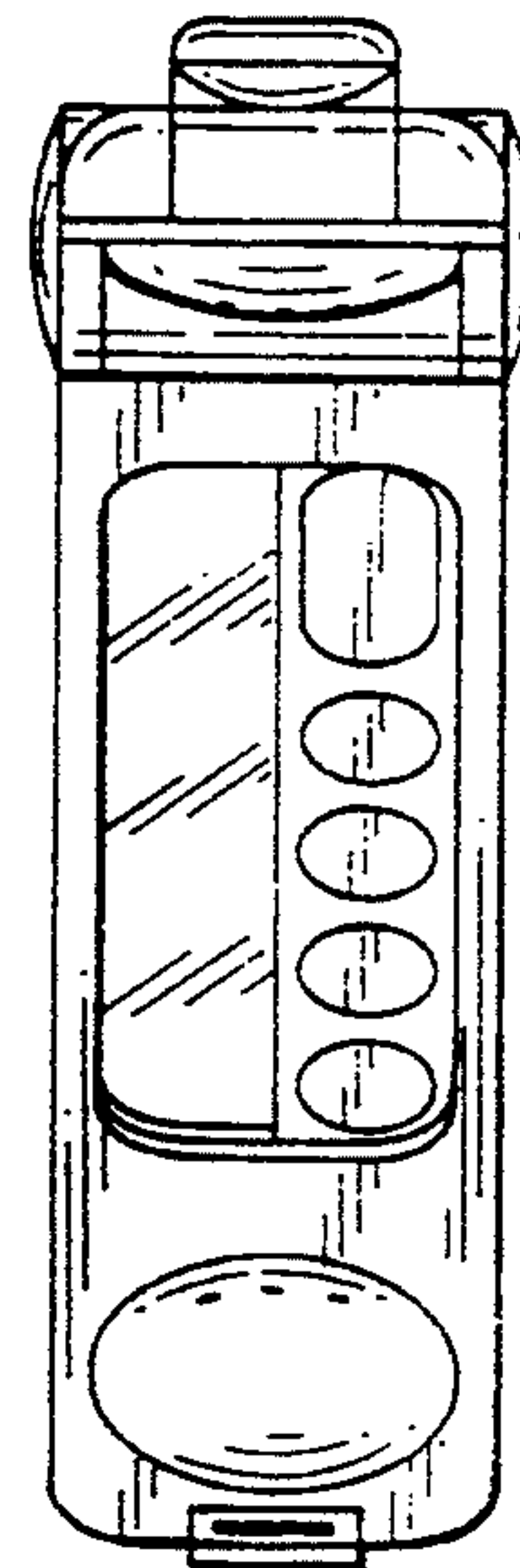


FIG. 4

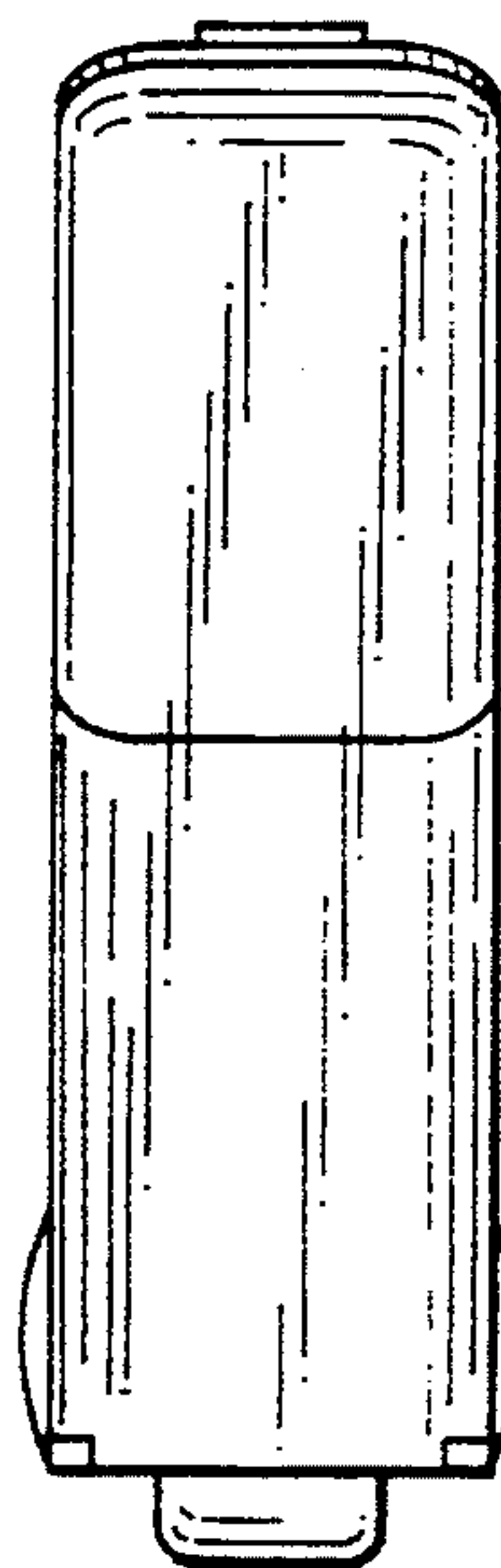


FIG. 5

FIG. 6

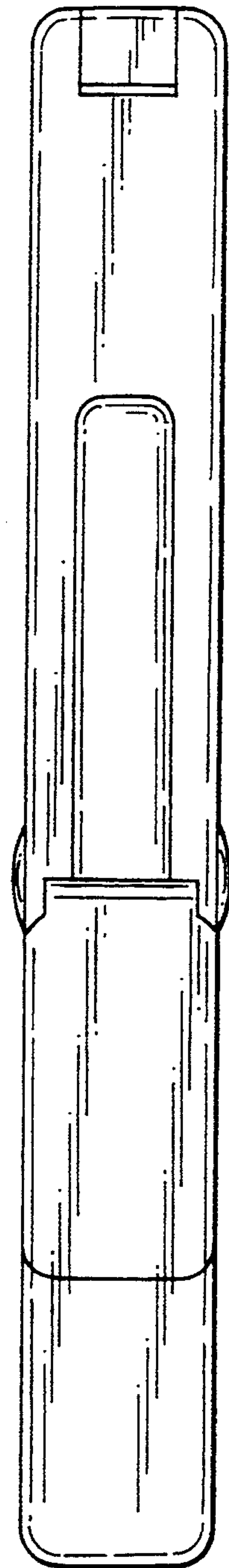
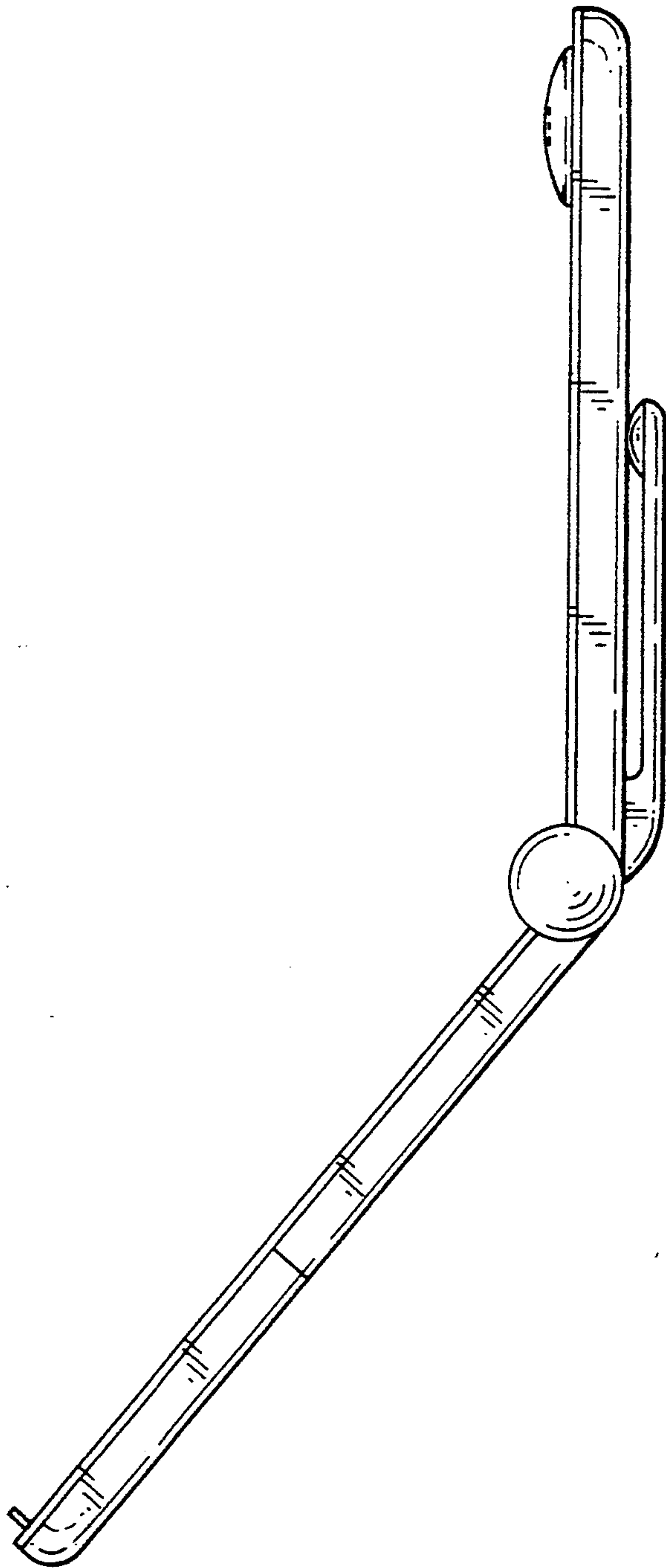


FIG. 7

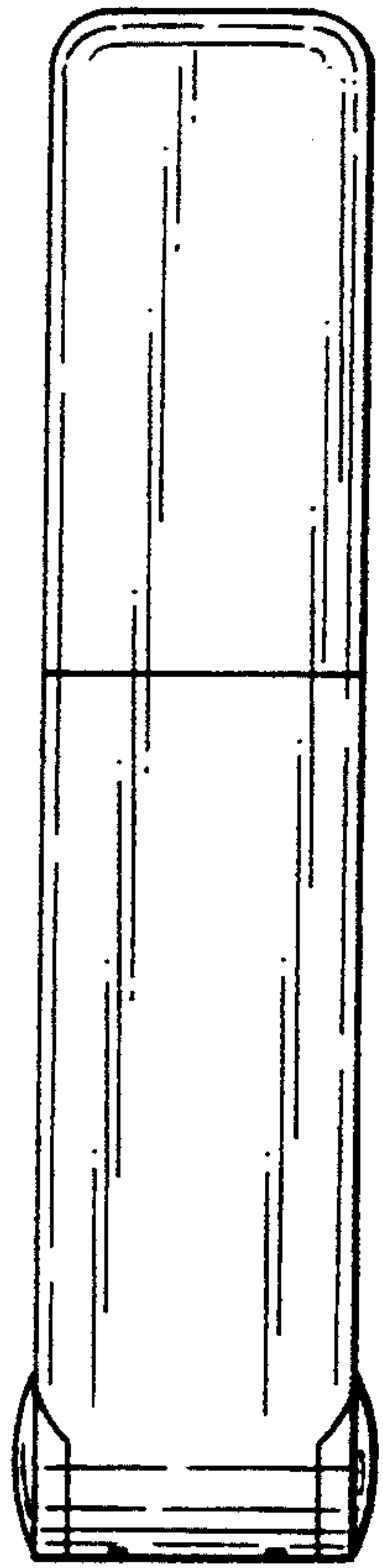


FIG. 8

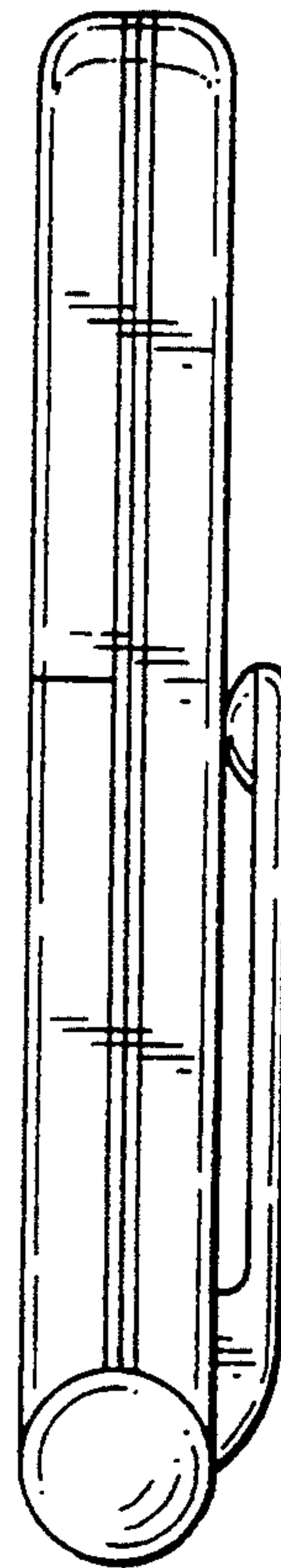


FIG. 9

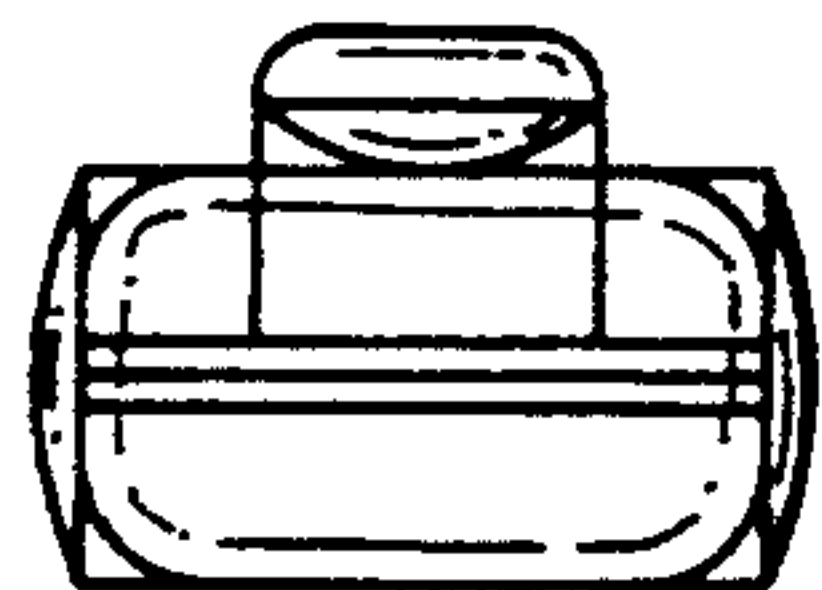


FIG. 10

