



US00D355177S

United States Patent [19]

[11] Patent Number: **Des. 355,177**

Sawada et al.

[45] Date of Patent: **** Feb. 7, 1995**

[54] **FACSIMILE MACHINE**

D. 313,986 1/1991 Matsumoto D14/118
D. 323,821 2/1991 Ishikawa et al. D14/118

[75] Inventors: **Masaji Sawada**, Kyoto; **Kenzo Yoshida**, Nara; **Maki Tomoike**, Nara; **Yukio Kanaoka**, Nara, all of Japan

OTHER PUBLICATIONS

Office Products Dealer, Jul. 1989, p. 84, Top-Ricoh FAX 1000L.

[73] Assignee: **Sharp Kabushiki Kaisha**, Osaka, Japan

Office Products Dealer, Jul. 1989, p. 77, Top left-NEC facsimile.

[**] Term: **14 Years**

Primary Examiner—Theodore M. Shooman
Attorney, Agent, or Firm—Nixon & Vanderhye

[21] Appl. No.: **6,225**

[57] **CLAIM**

[22] Filed: **Mar. 19, 1993**

The ornamental design for a facsimile machine, as shown and described.

[30] **Foreign Application Priority Data**

Sep. 24, 1992 [JP] Japan 4-28019

DESCRIPTION

[52] U.S. Cl. **D14/118**

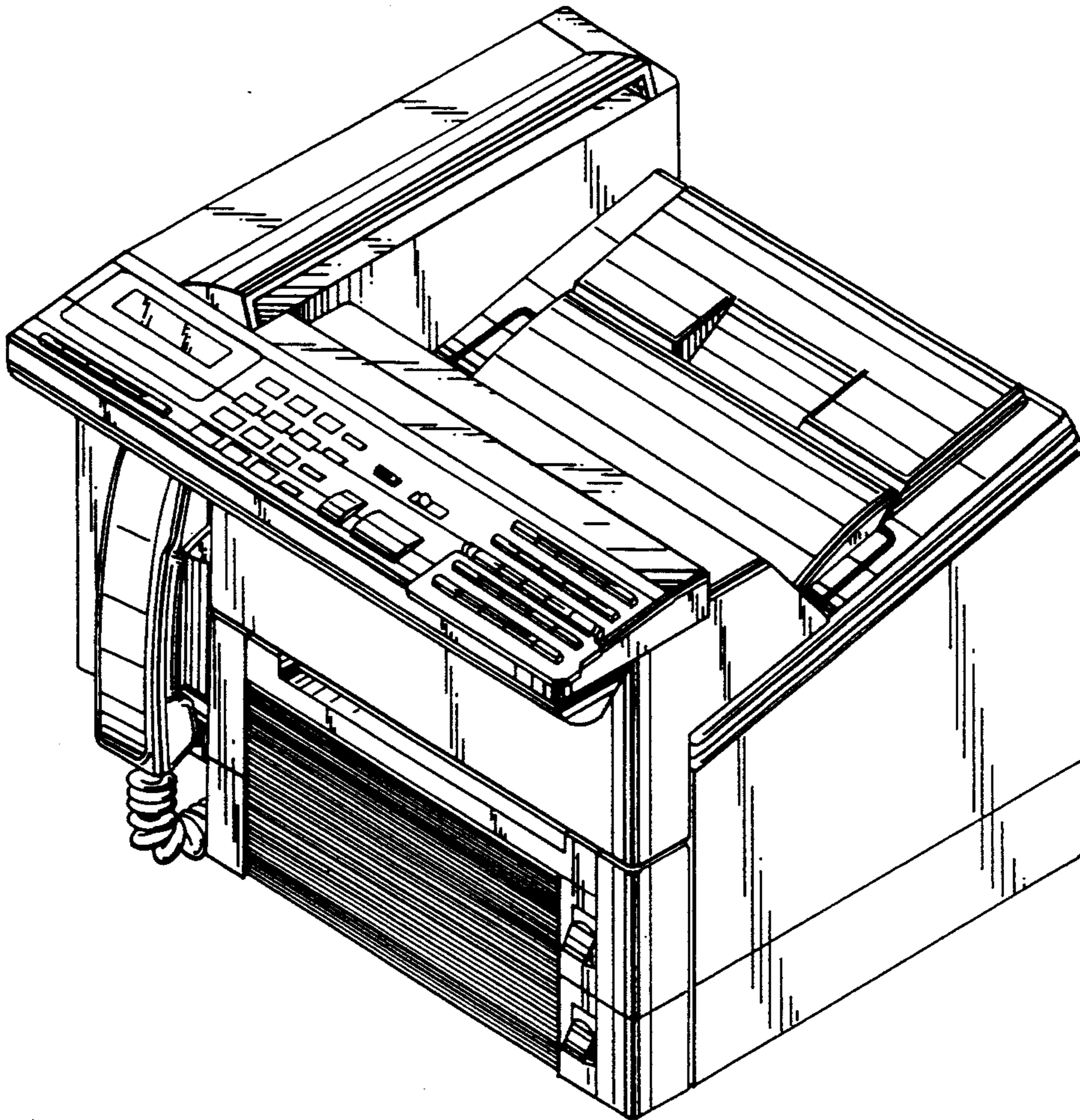
[58] Field of Search D14/118, 124, 299;
358/400, 401

FIG. 1 is a top, front and right side perspective view of a facsimile machine according to our design;
FIG. 2 is a front elevational view thereof;
FIG. 3 is a top plan view thereof;
FIG. 4 is a rear elevational view thereof;
FIG. 5 is a bottom plan view thereof;
FIG. 6 is a left side elevational view thereof; and,
FIG. 7 is a right side elevational view thereof.

[56] **References Cited**

U.S. PATENT DOCUMENTS

D. 301,581 6/1989 Watanabe D14/118
D. 301,878 6/1989 Noma D14/118



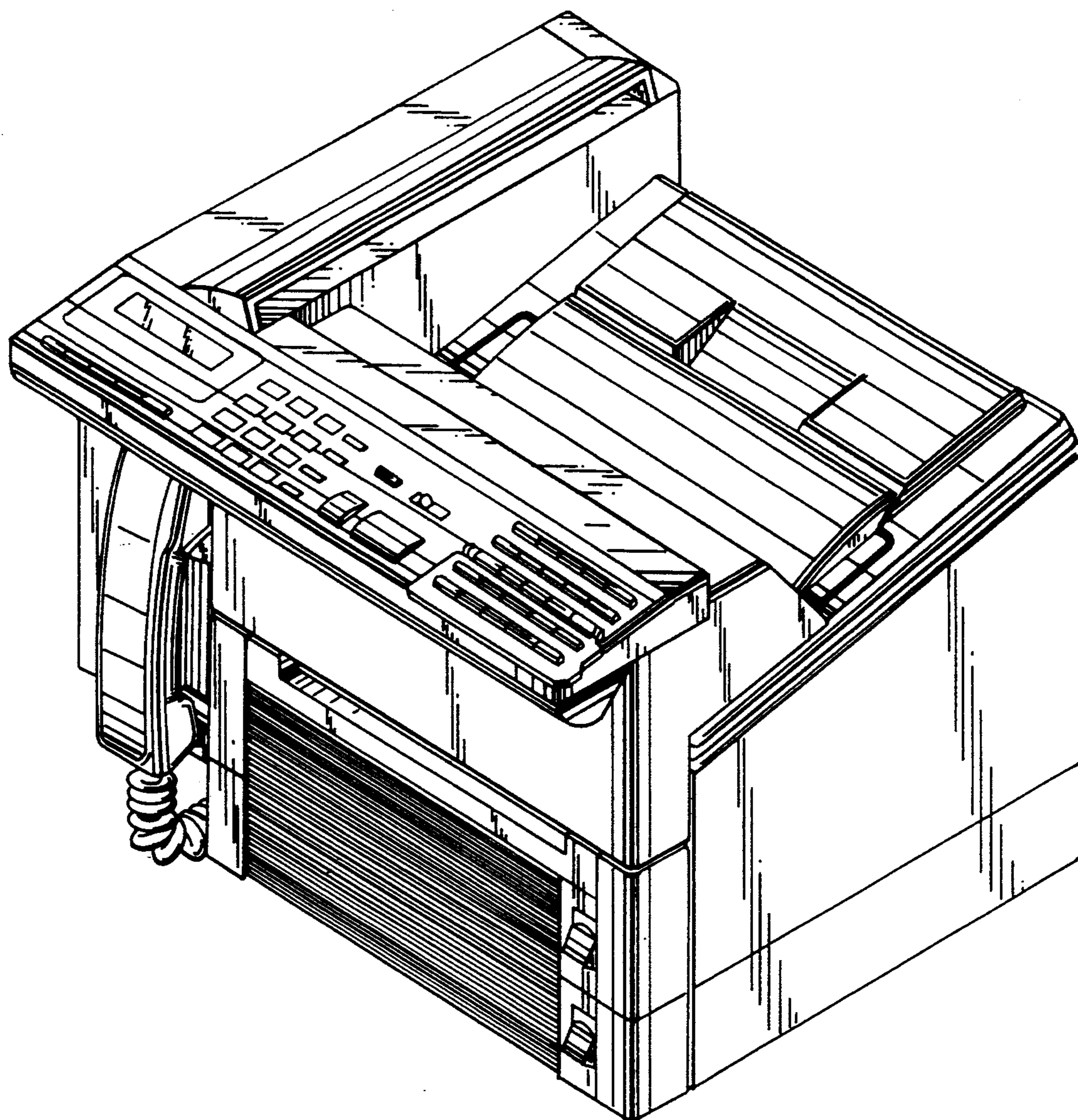


FIG. 1

FIG. 2

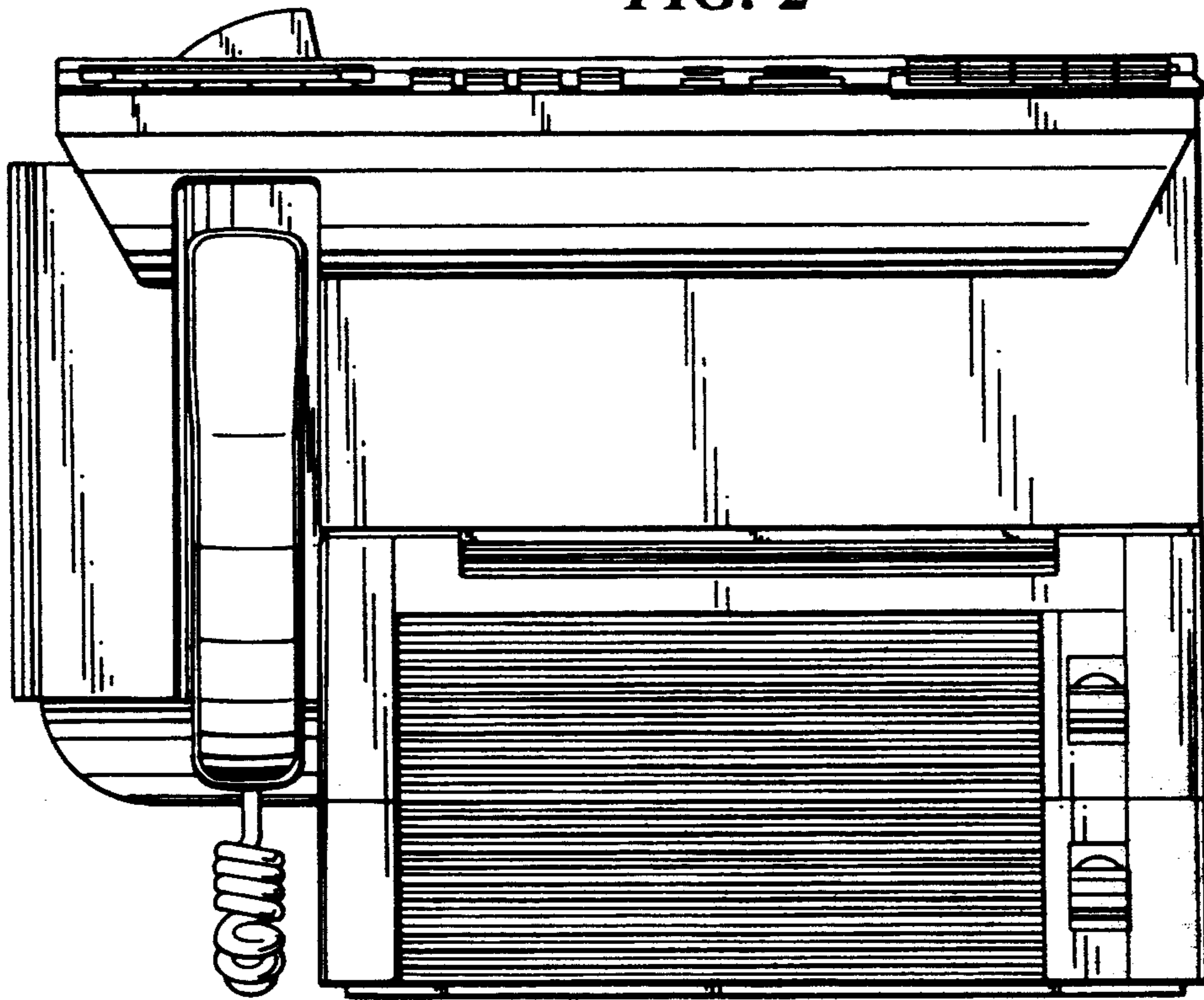


FIG. 3

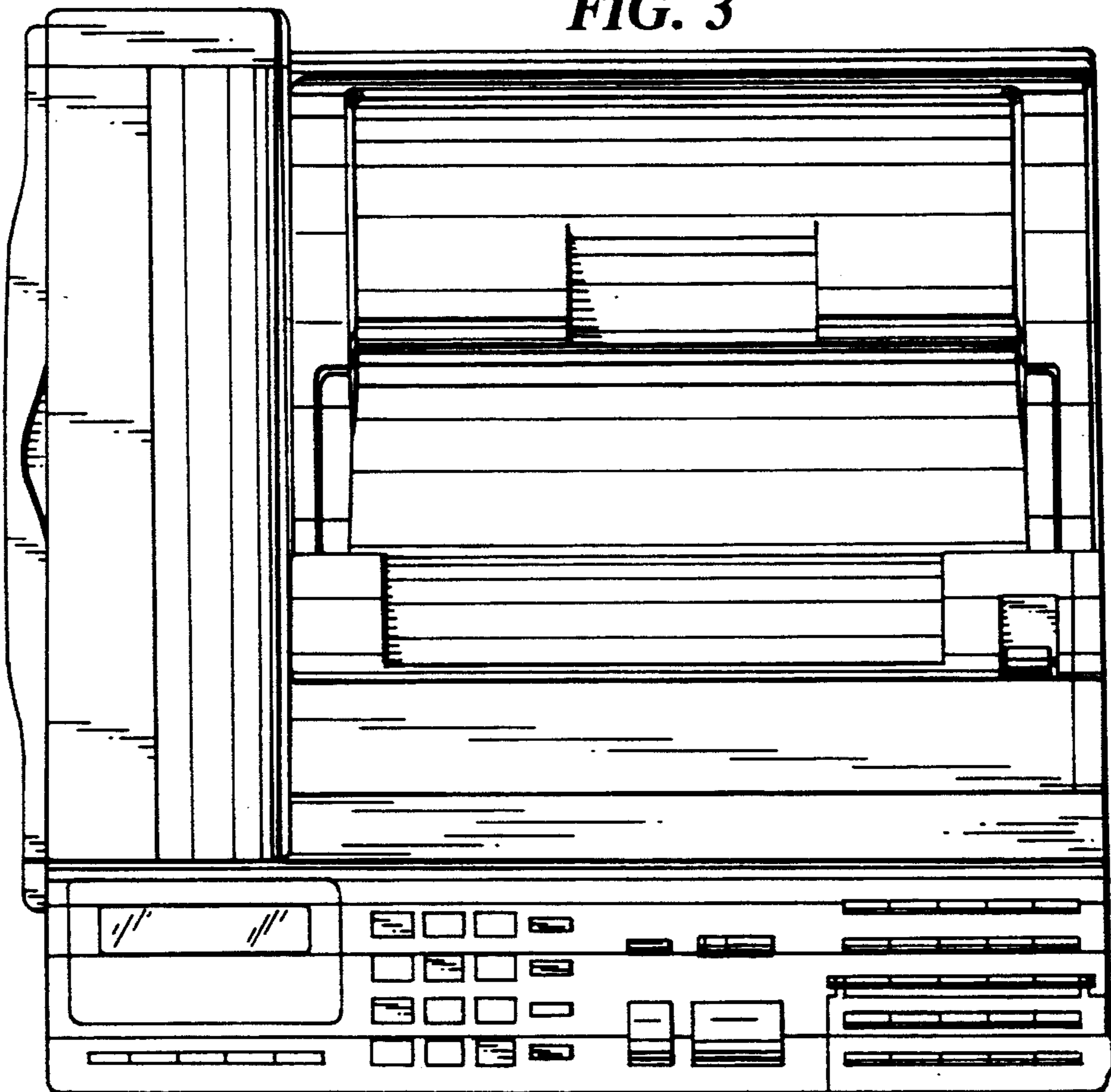


FIG. 4

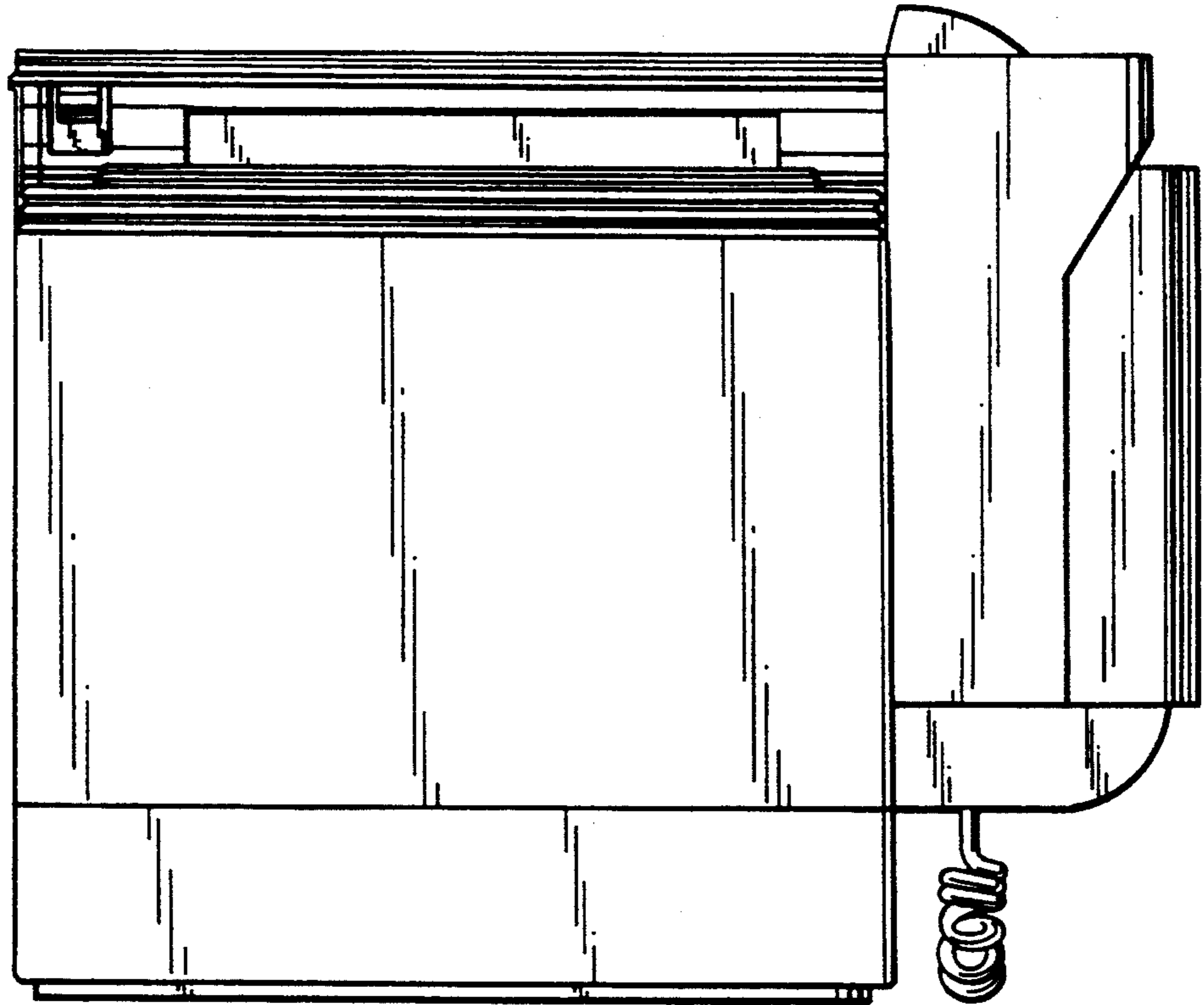


FIG. 5

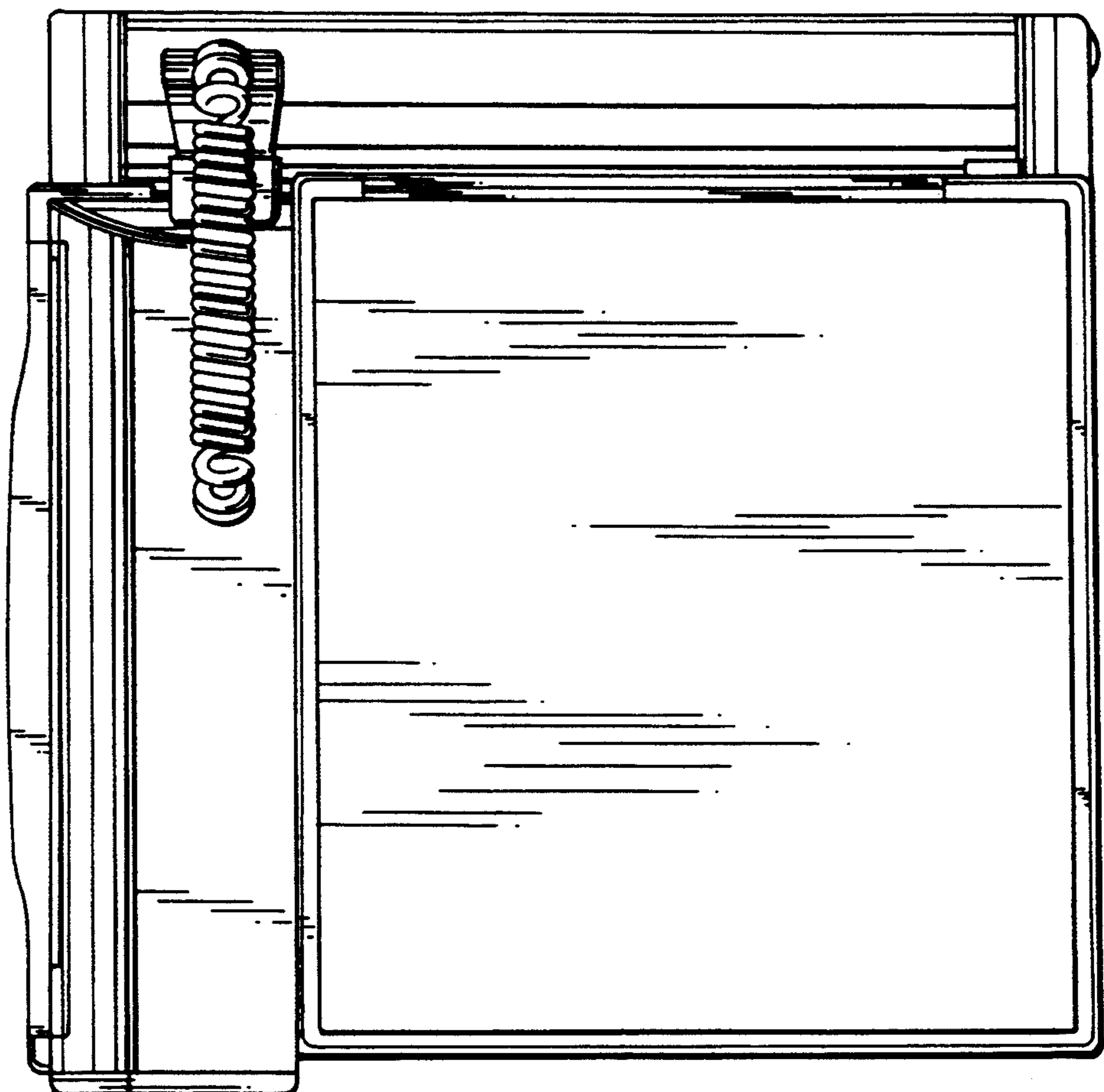


FIG. 6

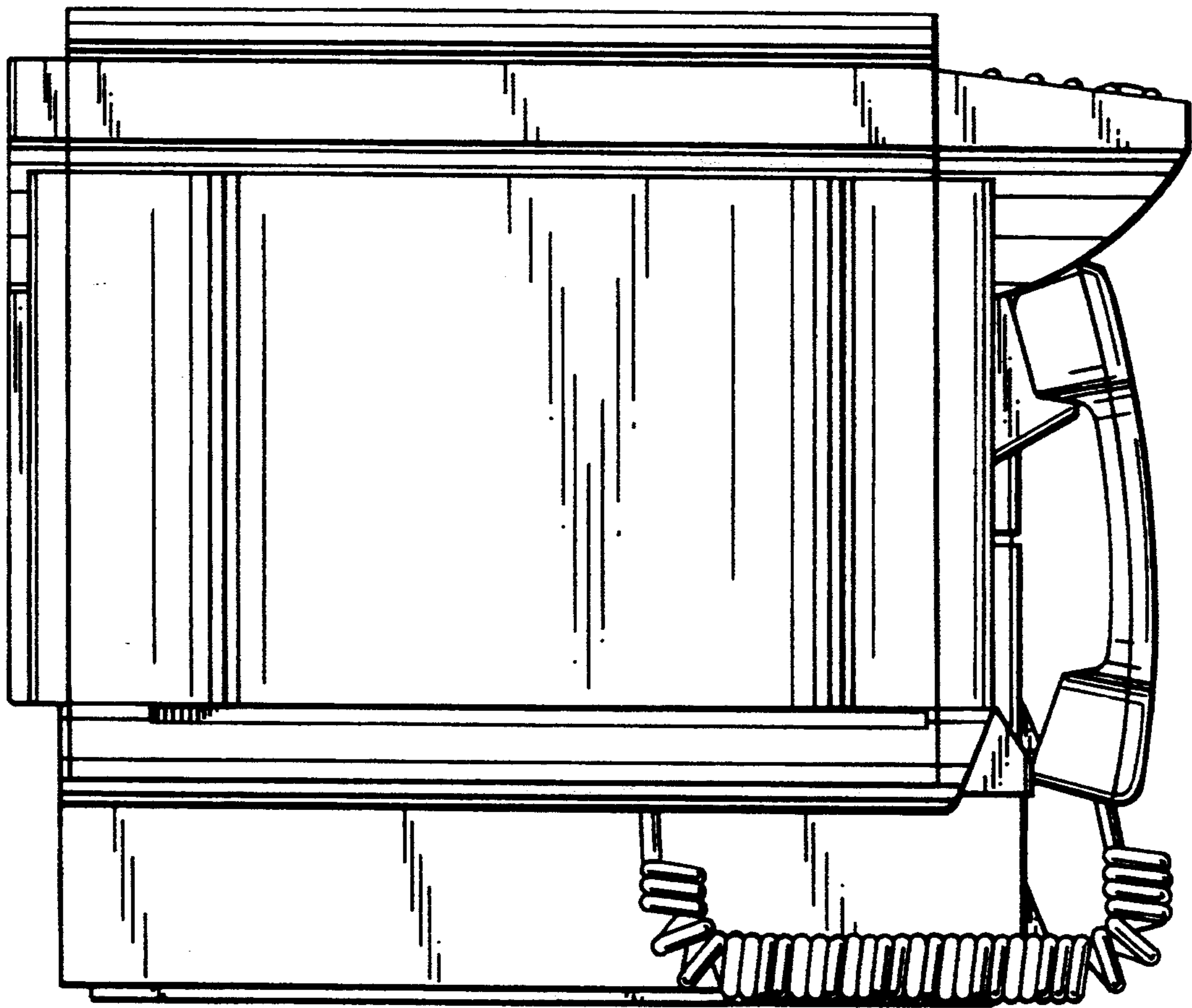


FIG. 7

