



US00D355174S

# United States Patent [19]

[11] Patent Number: **Des. 355,174**

**Liao**

[45] Date of Patent: **\*\* Feb. 7, 1995**

[54] **MONITOR**

D. 310,829	9/1990	Suyama et al.	.....	D14/113
D. 335,493	5/1993	Soodong	.....	D14/113
D. 335,873	5/1993	Soodong	.....	D14/113

[75] Inventor: **Steve Liao, Tao-Yuan Shien, Taiwan, Prov. of China**

*Primary Examiner*—Freda S. Nunn  
*Attorney, Agent, or Firm*—Browdy and Neimark

[73] Assignee: **EFA Corporation, Tao-Yuan Shien, Taiwan, Prov. of China**

[57] **CLAIM**

[\*\*] Term: **14 Years**

The ornamental design for a monitor, as shown and described.

[21] Appl. No.: **11,196**

**DESCRIPTION**

[22] Filed: **Jul. 29, 1993**

[52] U.S. Cl. .... **D14/113**

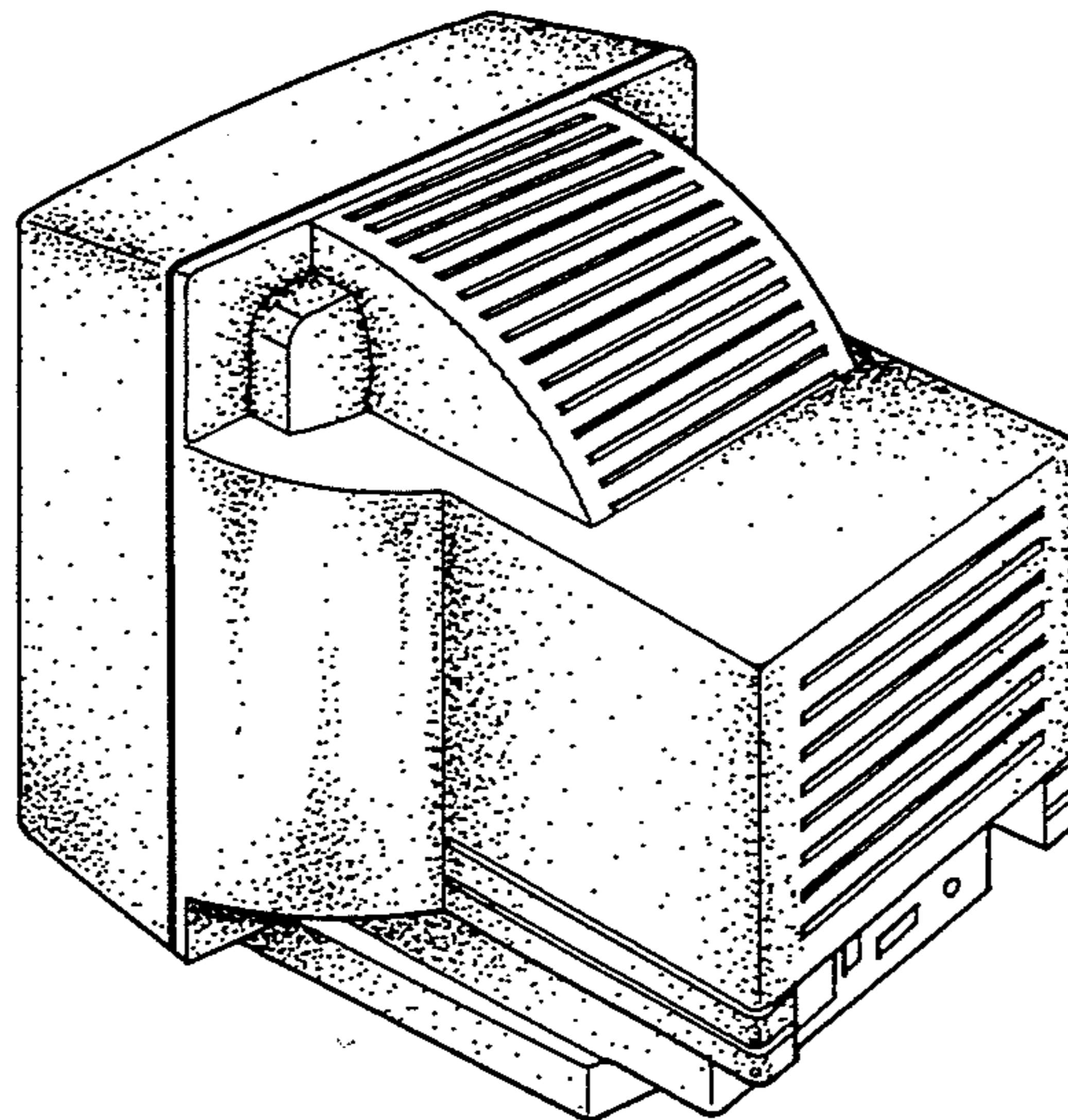
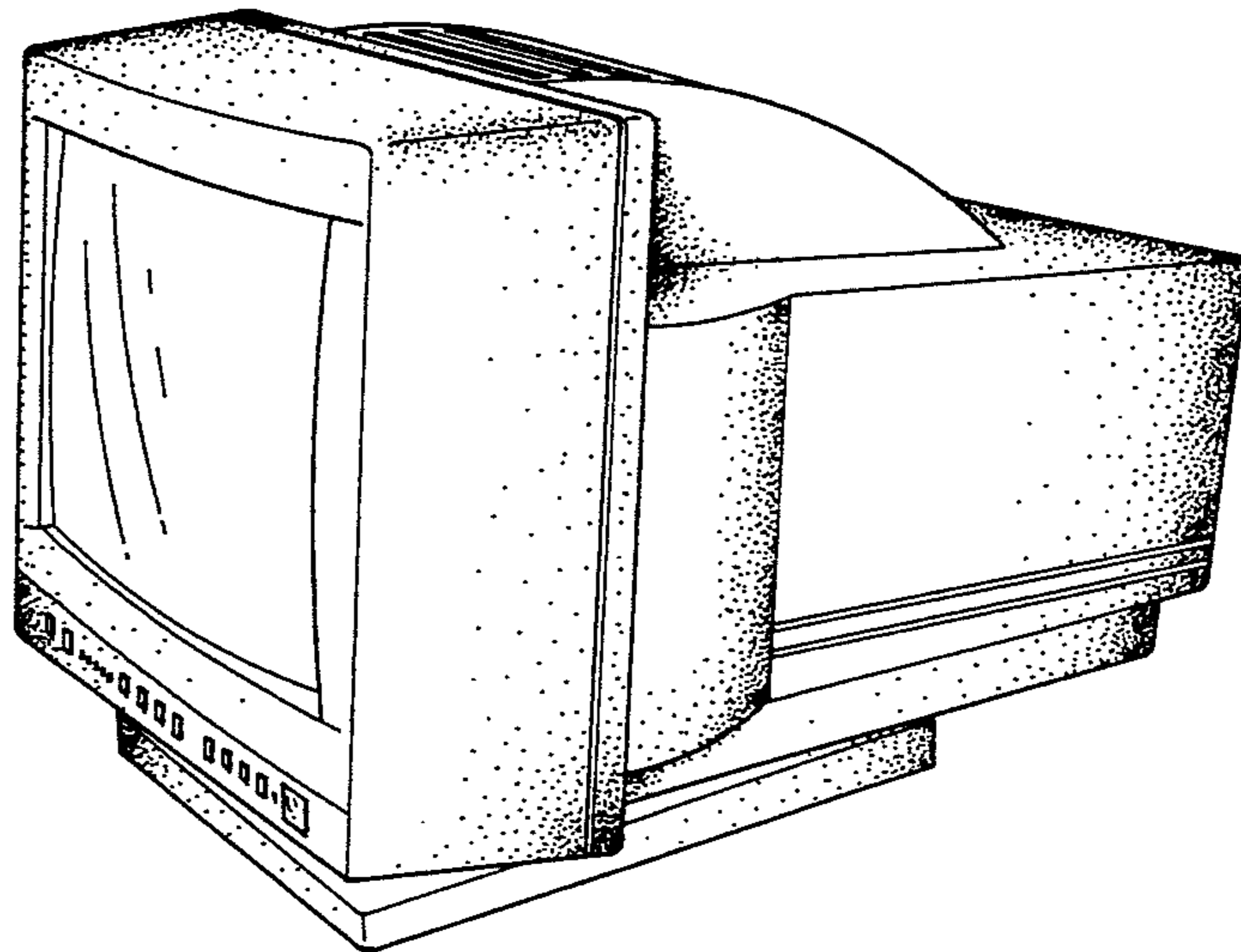
[58] Field of Search ..... D14/100, 101, 106, 113,  
D14/124-127; 345/104, 133, 156, 168, 173,  
901-905; 358/249, 254, 255

FIG. 1 is an enlarged top front and right side perspective view of a monitor showing my new design; FIG. 2 is the front elevational view thereof; FIG. 3 is the rear elevational view thereof; FIG. 4 is the left side elevational view thereof; FIG. 5 is the right side elevational view thereof; FIG. 6 is the top plan view thereof; FIG. 7 is the bottom plan view thereof; and, FIG. 8 is an enlarged top rear and right side perspective view thereof.

[56] **References Cited**

**U.S. PATENT DOCUMENTS**

D. 290,363	6/1987	Conway et al.	.....	D14/113
D. 300,829	4/1989	Morgan	.....	D14/113



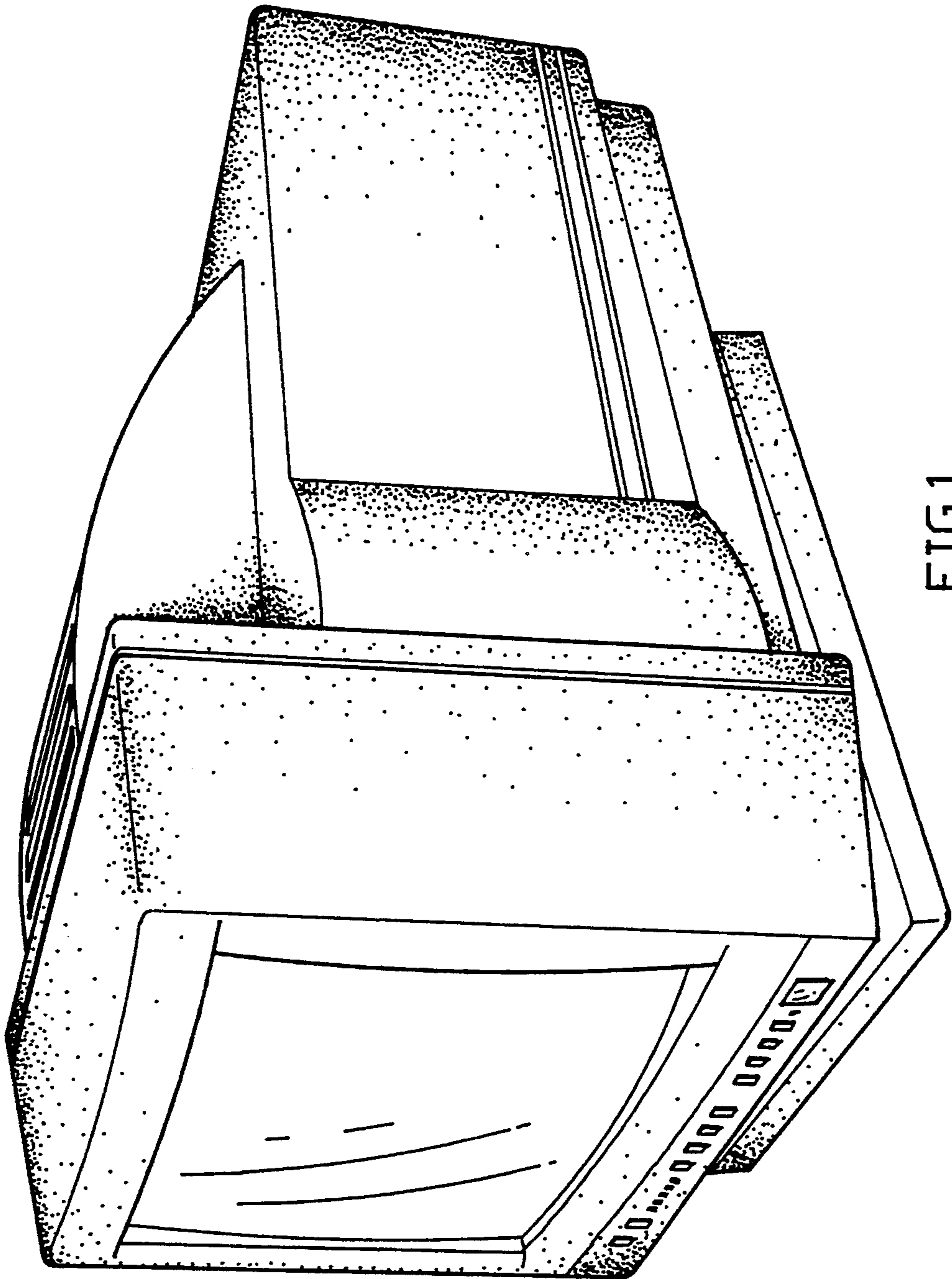


FIG.1

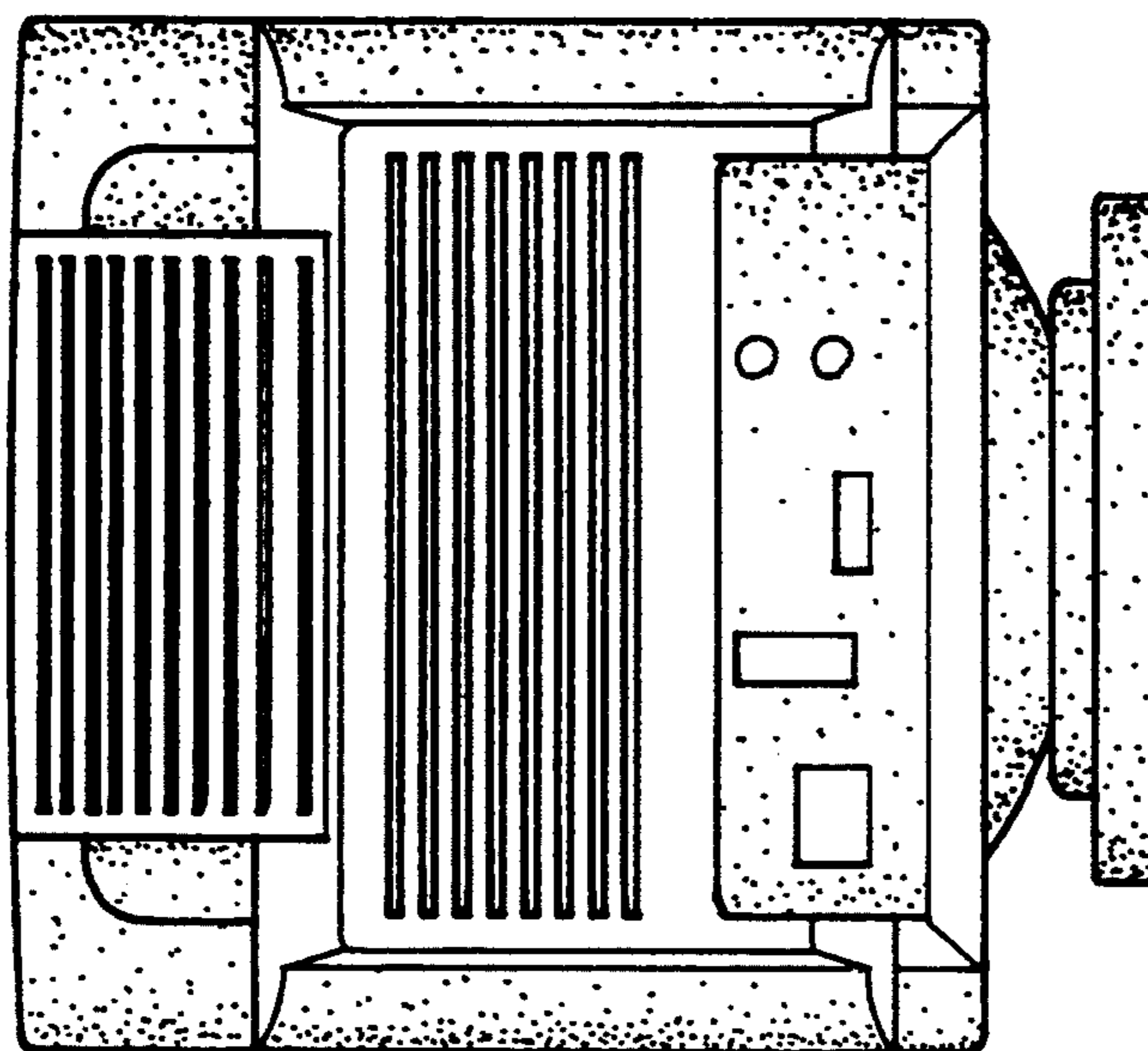


FIG.3

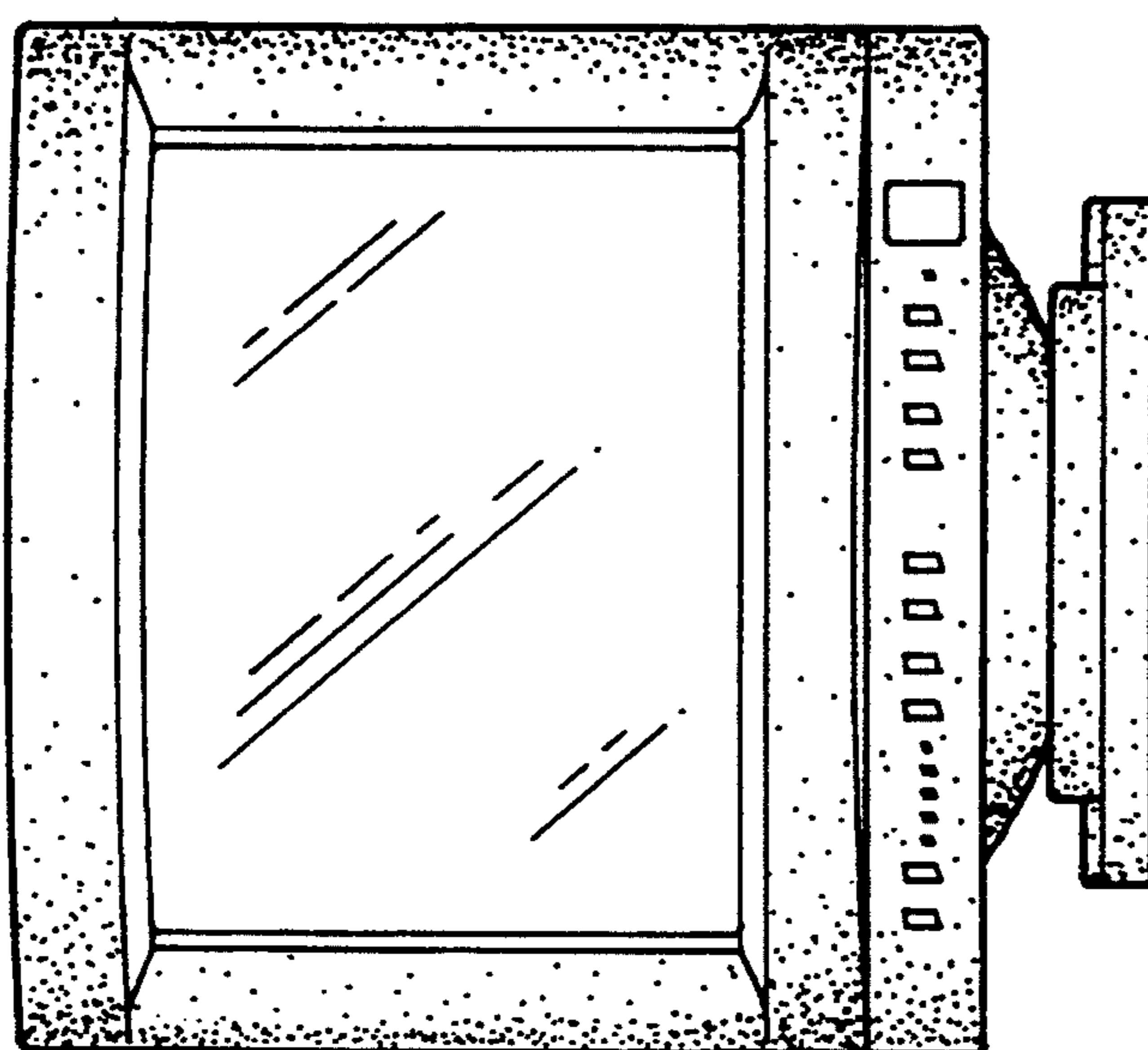


FIG.2

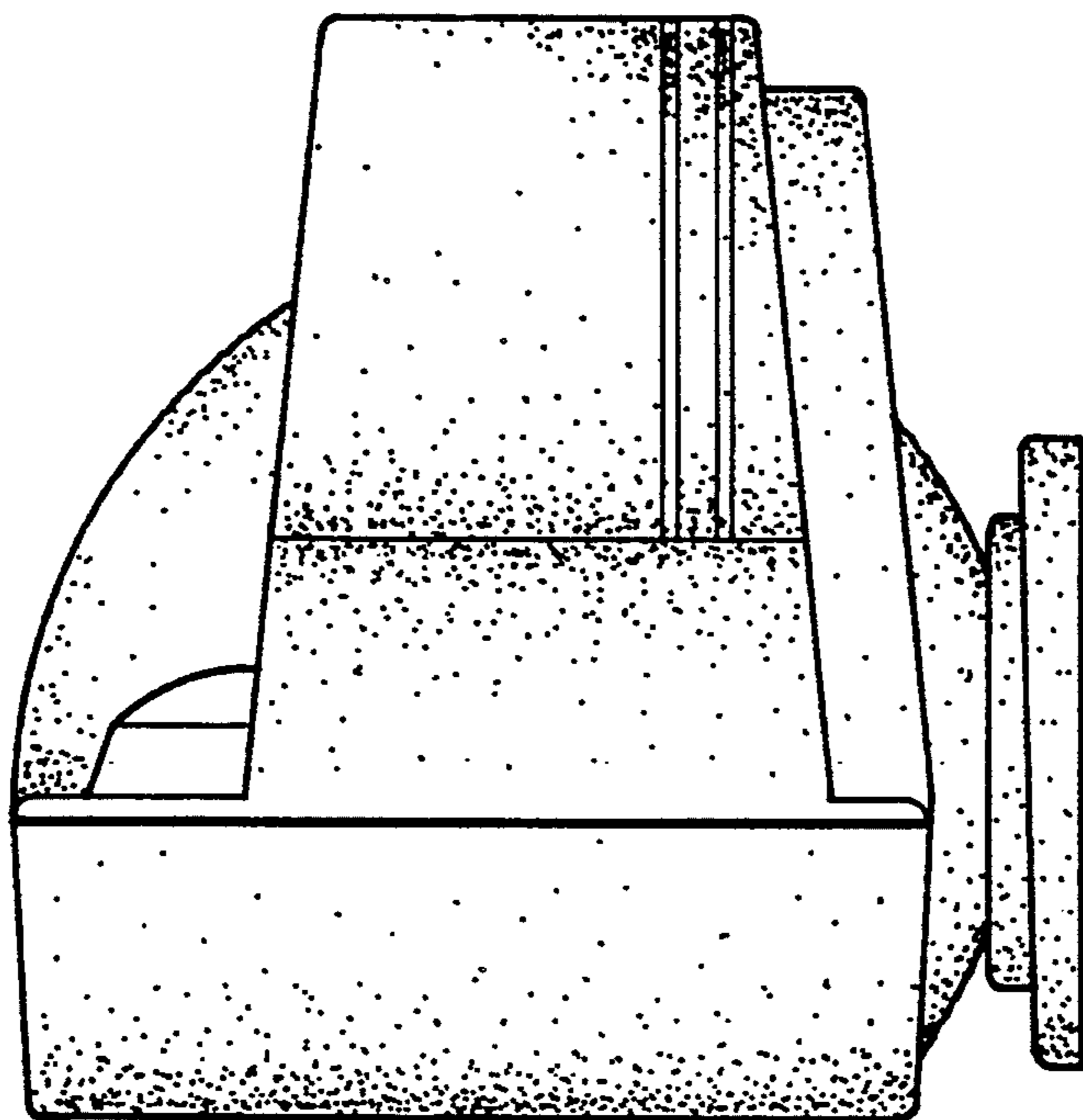


FIG.5

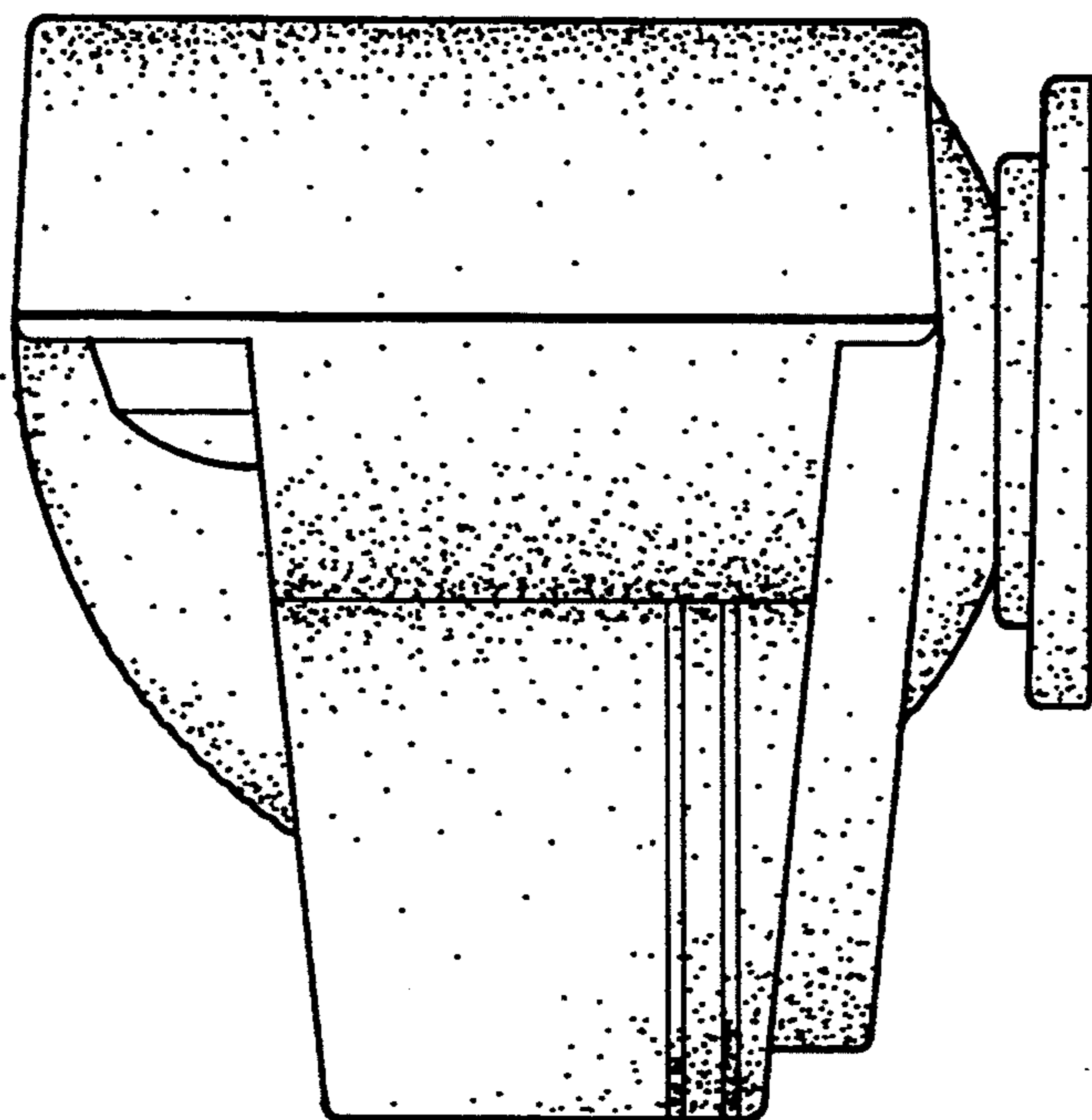


FIG.4

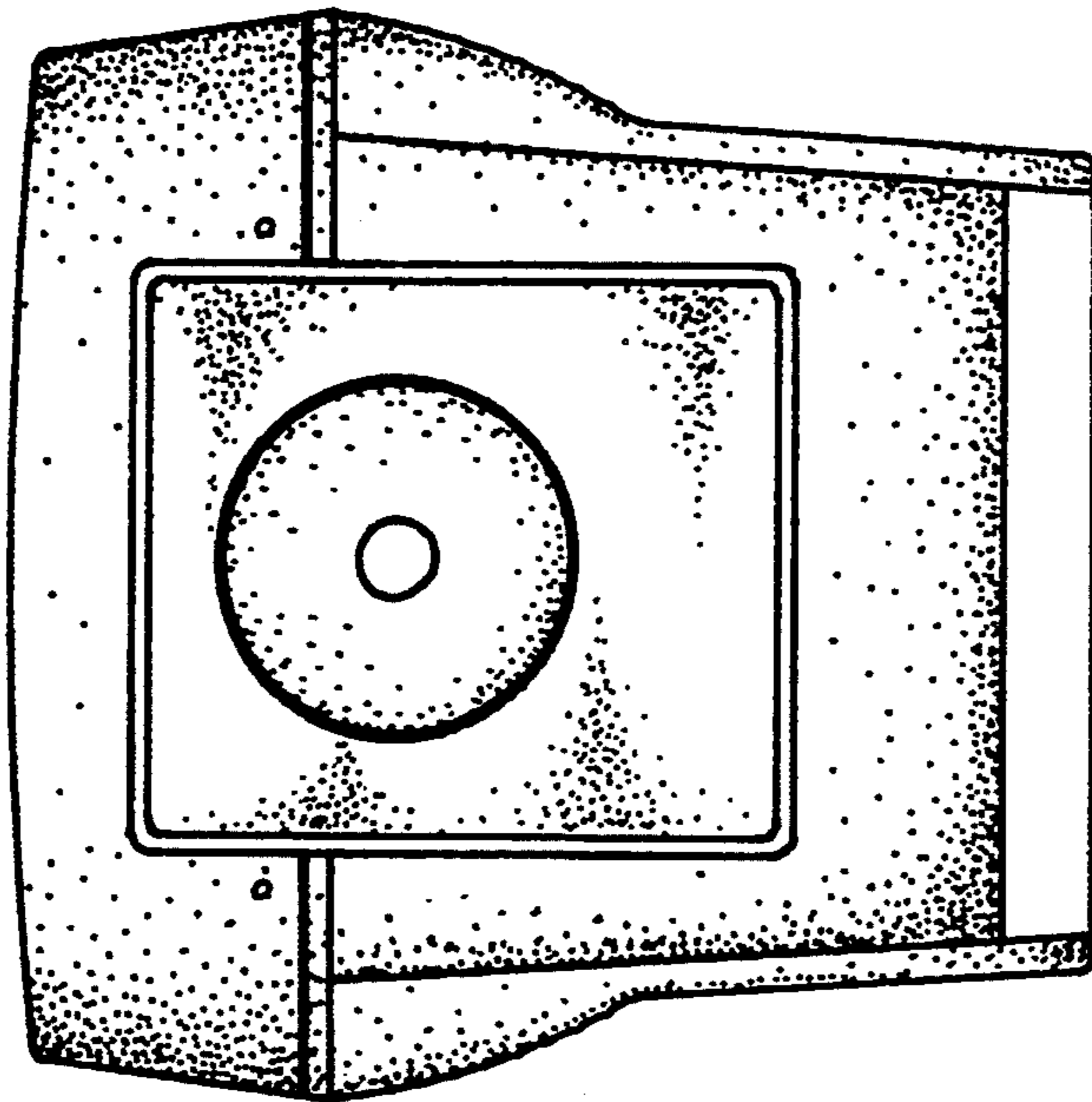


FIG.7

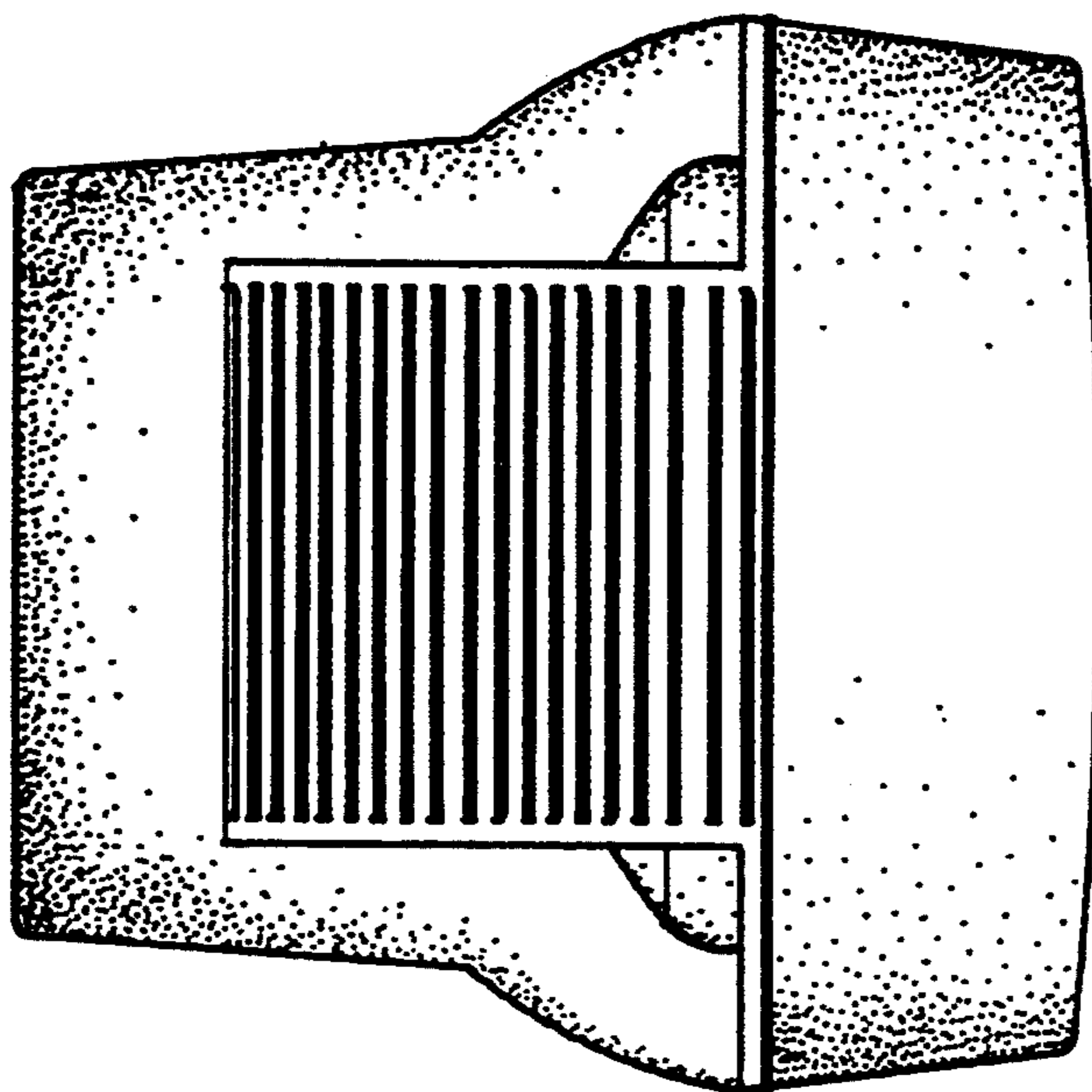


FIG.6

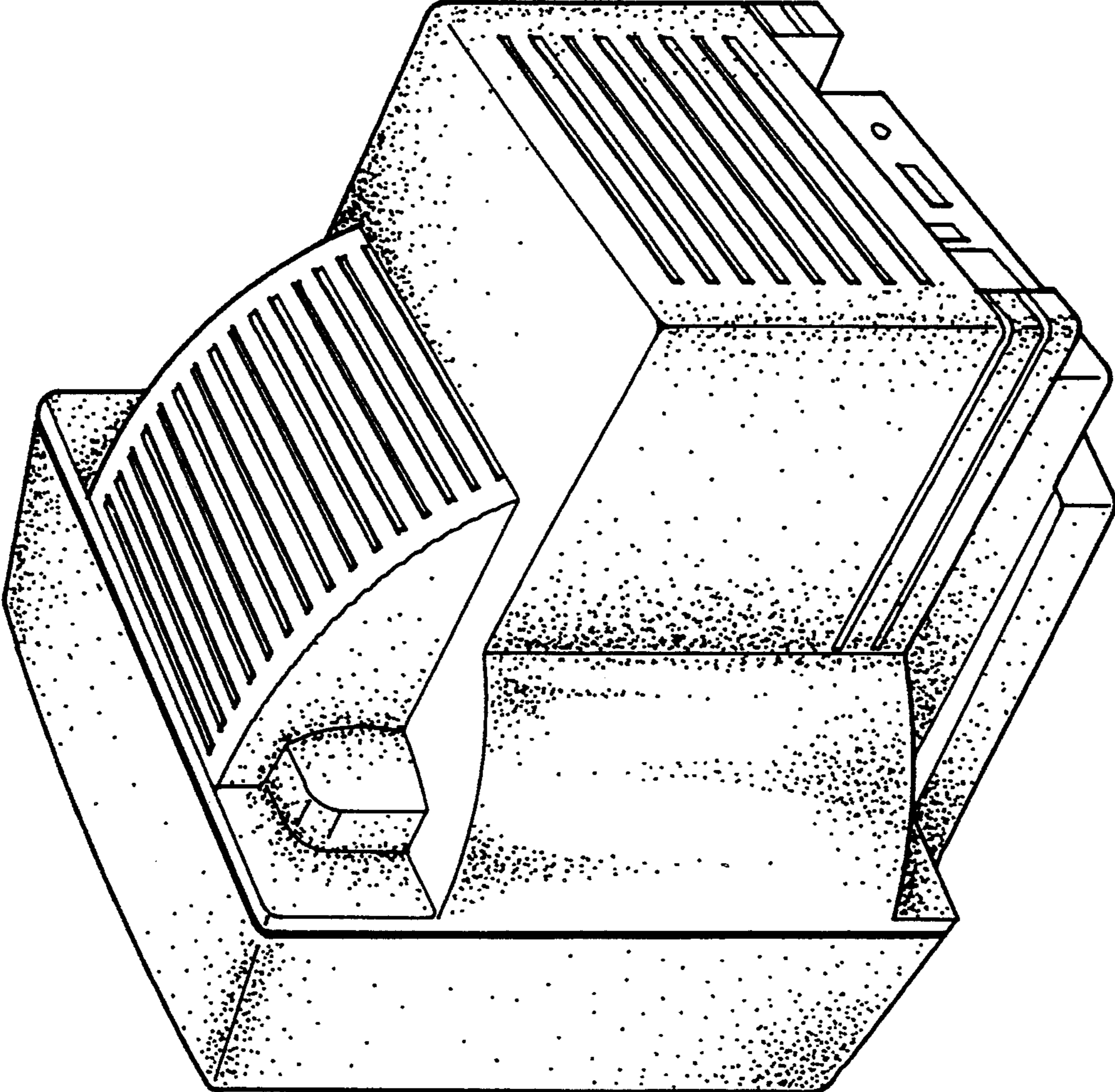


FIG.8