



US00D355173S

United States Patent [19]

[11] Patent Number: **Des. 355,173**

Fenton et al.

[45] Date of Patent: **** Feb. 7, 1995**

[54] **RADIO PACKET MODEM WITH AN INTEGRATED BATTERY HOUSING**

[75] Inventors: **William E. Fenton, Surrey; Roman P. Rak, Delta; Brian Redman, Richmond, all of Canada**

[73] Assignee: **Motorola, Schaumburg, Ill.**

[**] Term: **14 Years**

[21] Appl. No.: **18,475**

[22] Filed: **Feb. 7, 1994**

[52] U.S. Cl. **D14/107; D14/137; D14/242; D14/249**

[58] Field of Search **D14/100, 107, 114, 140, D14/137, 138, 240, 242, 149, 159, 191, 155; 379/62, 440, 419, 441, 420, 428; 455/73, 89-90; 174/50, 52.1, 67**

[56] **References Cited**

U.S. PATENT DOCUMENTS

- D. 212,001 8/1968 Roberts D14/159
- D. 266,509 10/1982 Marshall D14/107 X

- D. 321,691 11/1991 Brenda et al. D14/191
- D. 321,878 11/1991 Brenda et al. D14/191
- D. 328,069 7/1992 Langton D14/137 X
- D. 345,980 4/1994 Scheid et al. D14/191
- D. 346,172 4/1994 Fields et al. D14/114 X
- D. 346,606 5/1994 Harris et al. D14/242

Primary Examiner—Alan P. Douglas
Assistant Examiner—Jeffrey Asch
Attorney, Agent, or Firm—Charles W. Bethards

[57] **CLAIM**

The ornamental design for a radio packet modem with an integrated battery housing, as shown and described.

DESCRIPTION

FIG. 1 is a top front, and right side perspective view of a radio packet modem with an integrated battery housing showing our new design; FIG. 2 is a rear side elevational view thereof; FIG. 3 is a left side elevational view thereof; and, FIG. 4 is a bottom side elevational view thereof. The broken line showing or an antenna throughout the views is for illustrative purposes only and forms no part of the claimed design.

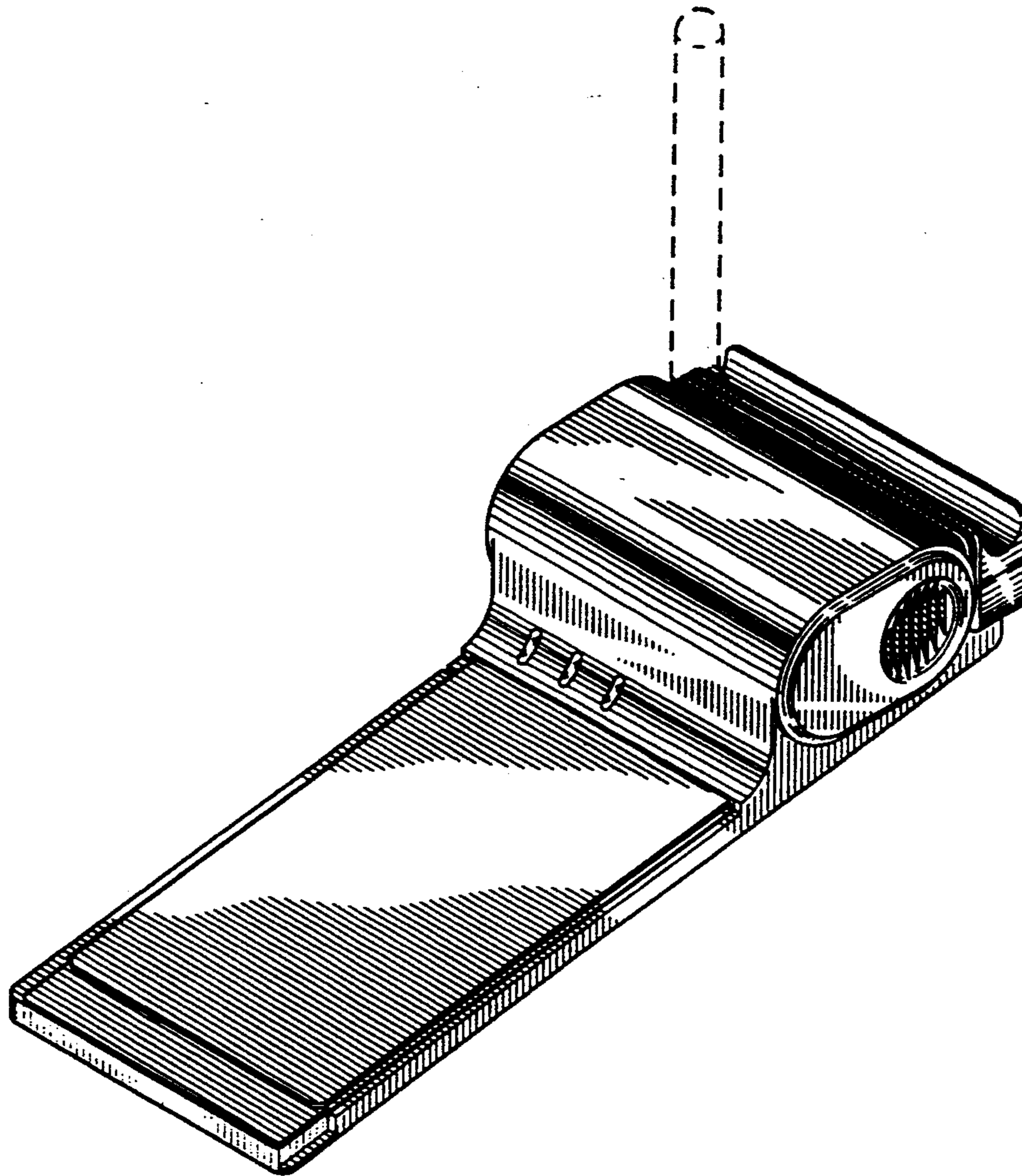


FIG. 1

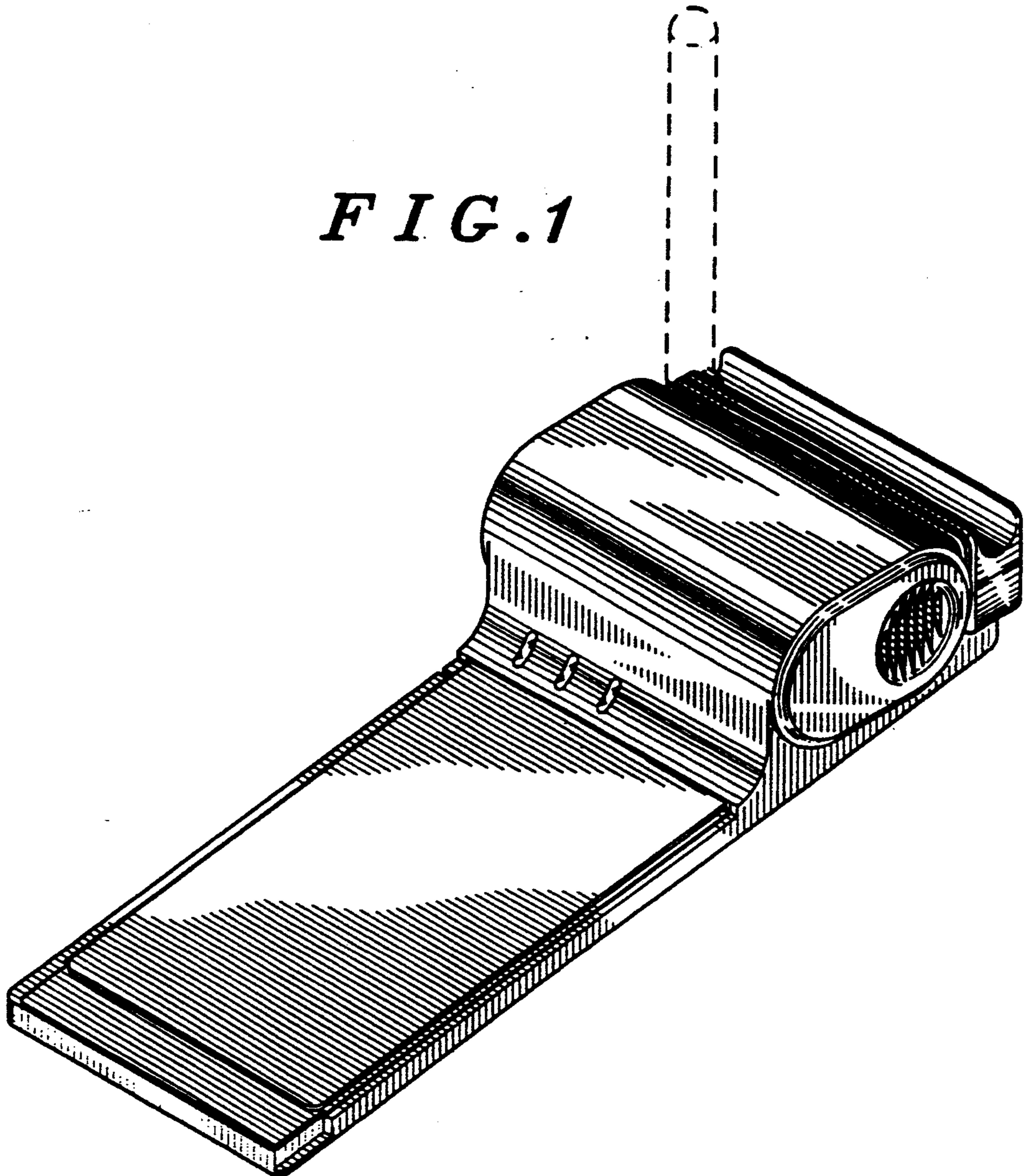


FIG. 3

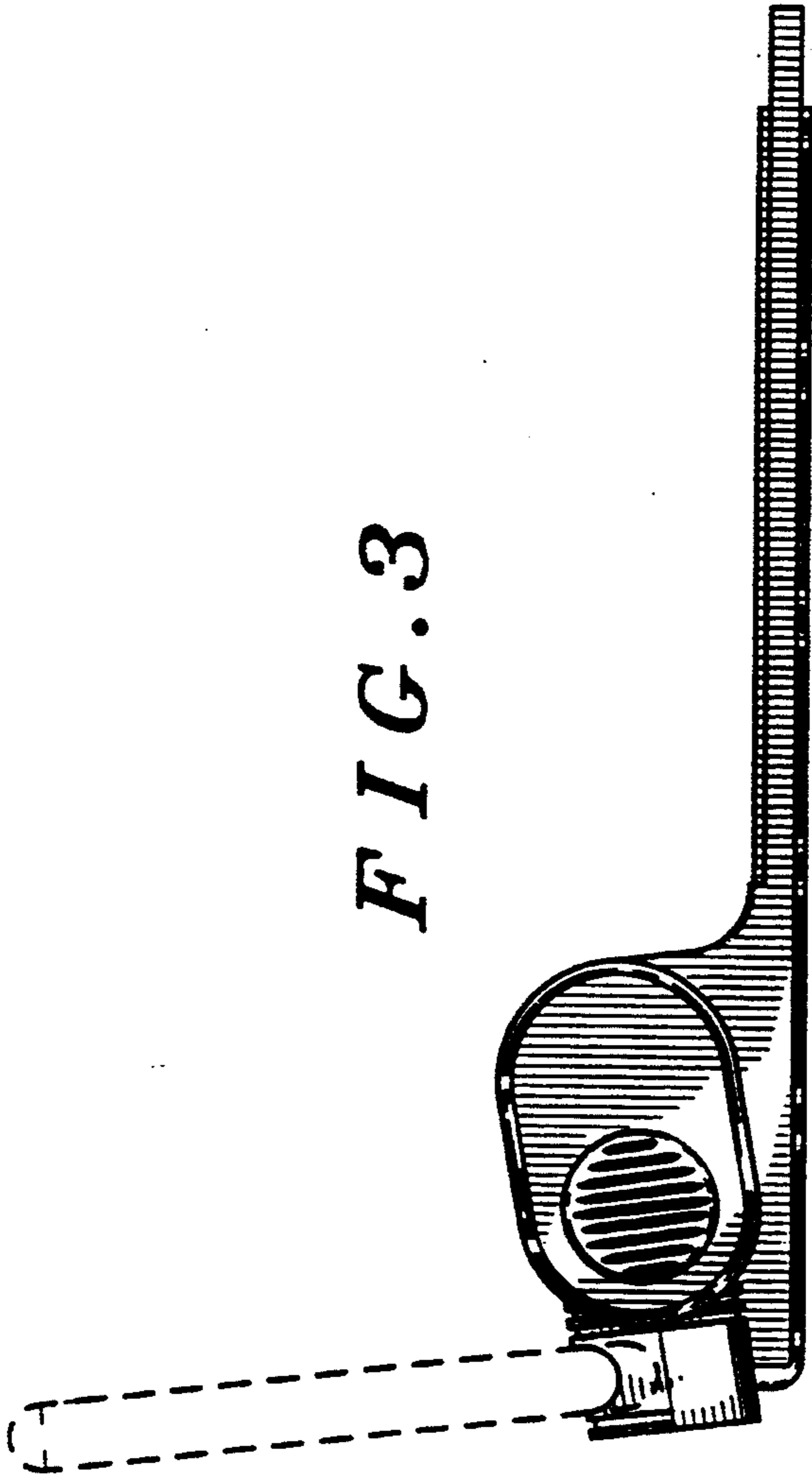


FIG. 2

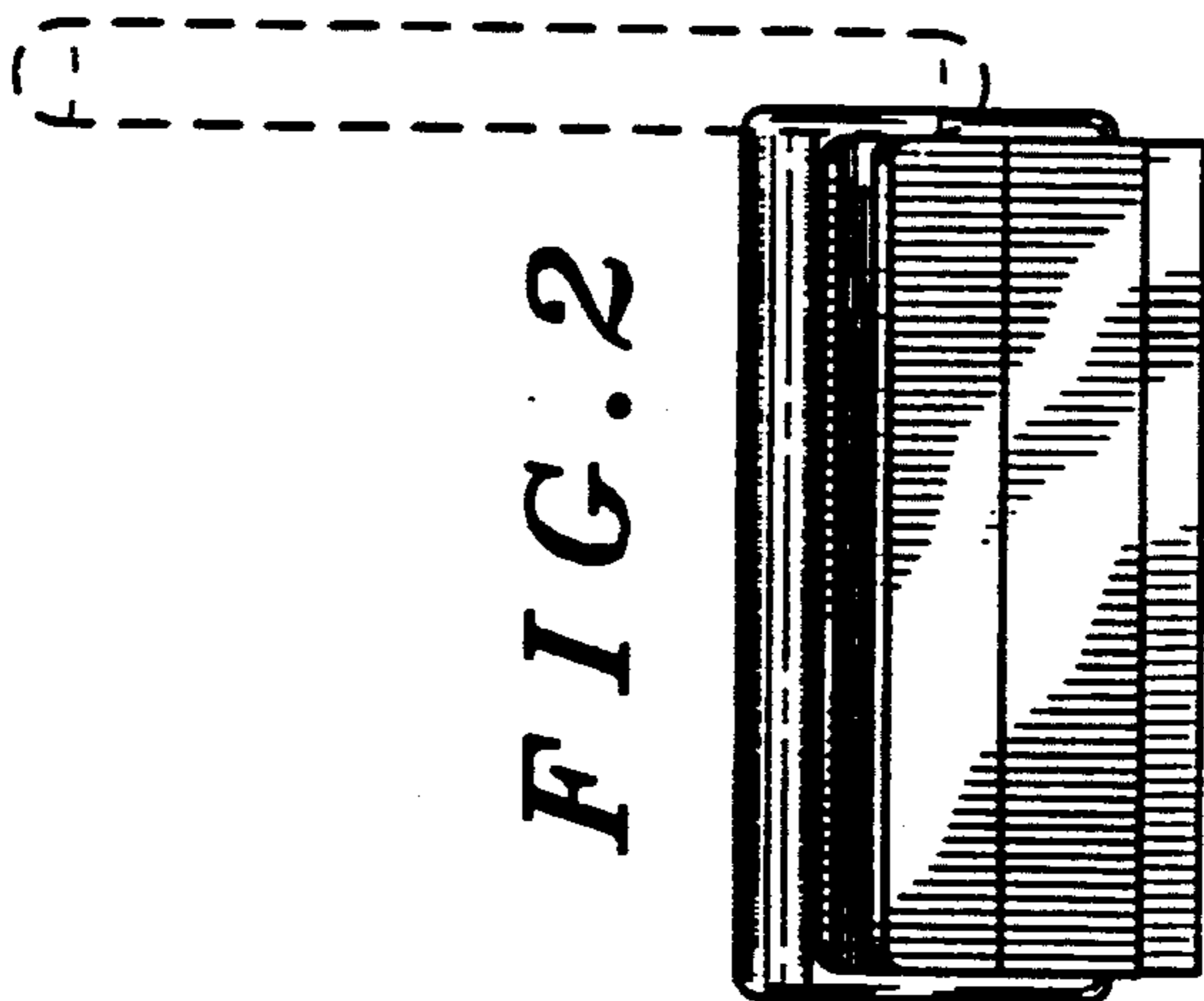
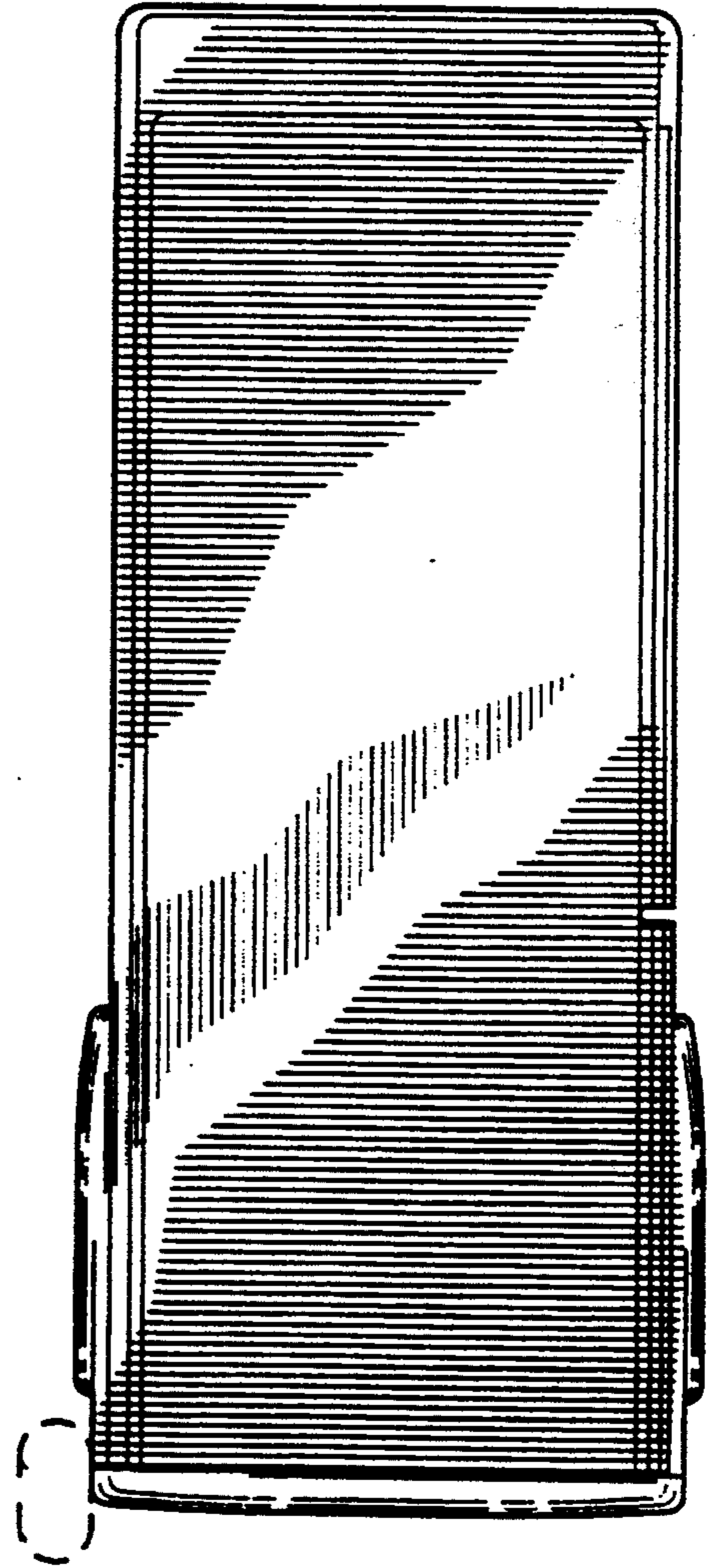


FIG. 4



UNITED STATES PATENT AND TRADEMARK OFFICE
CERTIFICATE OF CORRECTION

PATENT NO. : Des. 355, 173
DATED : February 7, 1995
INVENTOR(S) : William E. Fenton, et. al.

It is certified that error appears in the above-identified patent and that said Letters Patent is hereby corrected as shown below:

Title page, item [57], under DESCRIPTION, line 7, "showing or an" should be --showing of an--.

Signed and Sealed this
Ninth Day of May, 1995



BRUCE LEHMAN

Commissioner of Patents and Trademarks

Attest:

Attesting Officer