



US00D355169S

United States Patent [19]

[11] Patent Number: **Des. 355,169**

Carr et al.

[45] Date of Patent: **** Feb. 7, 1995**

[54] **PORTABLE COMPUTER**

[75] Inventors: **Donald W. Carr**, Birmingham, Mich.;
Scott M. Belliveau, Springboro,
Ohio; **Robert W. Paterson**, Liberty,
S.C.

[73] Assignee: **NCR Corporation**, Dayton, Ohio

[**] Term: **14 Years**

[21] Appl. No.: **12,456**

[22] Filed: **Sep. 1, 1993**

[52] U.S. Cl. **D14/100**

[58] **Field of Search** D14/100, 106, 113, 124-127;
D19/26, 52, 59, 60, 62; 345/104, 156, 173, 901,
905, 168; 364/708.1, 709.04, 709.12; 178/18, 19;
434/307-309

[56] **References Cited**

U.S. PATENT DOCUMENTS

D. 317,151 5/1991 Daly D14/100
D. 323,155 1/1992 Hino et al. D14/100

D. 341,823 11/1993 Sakai D14/100
D. 346,366 4/1994 Kim et al. D14/100
D. 346,591 5/1994 Lee D14/100

Primary Examiner—Freda S. Nunn
Attorney, Agent, or Firm—Paul J. Maginot

[57] **CLAIM**

The ornamental design for a portable computer, as shown and described.

DESCRIPTION

FIG. 1 is a front elevational view of our new design for a portable computer;
FIG. 2 is a back elevational view of the portable computer of FIG. 1;
FIG. 3 is a left side elevational view of the portable computer of FIG. 1;
FIG. 4 is a right side elevational view of the portable computer of FIG. 1;
FIG. 5 is a top plan view of the portable computer of FIG. 1 the bottom view being unornamented; and,
FIG. 6 is a reduced left front perspective view of the portable computer of FIG. 1.

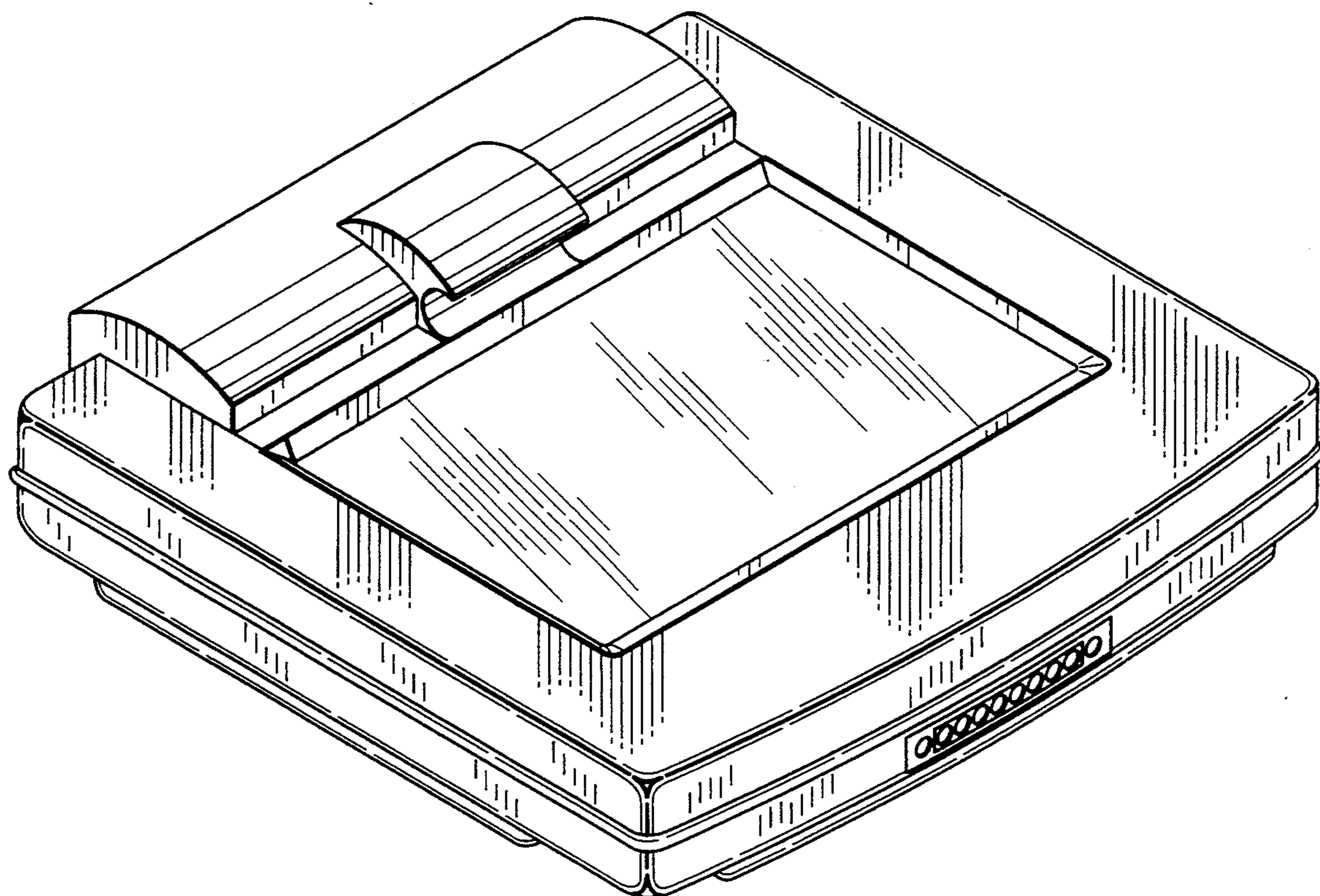


FIG. 1

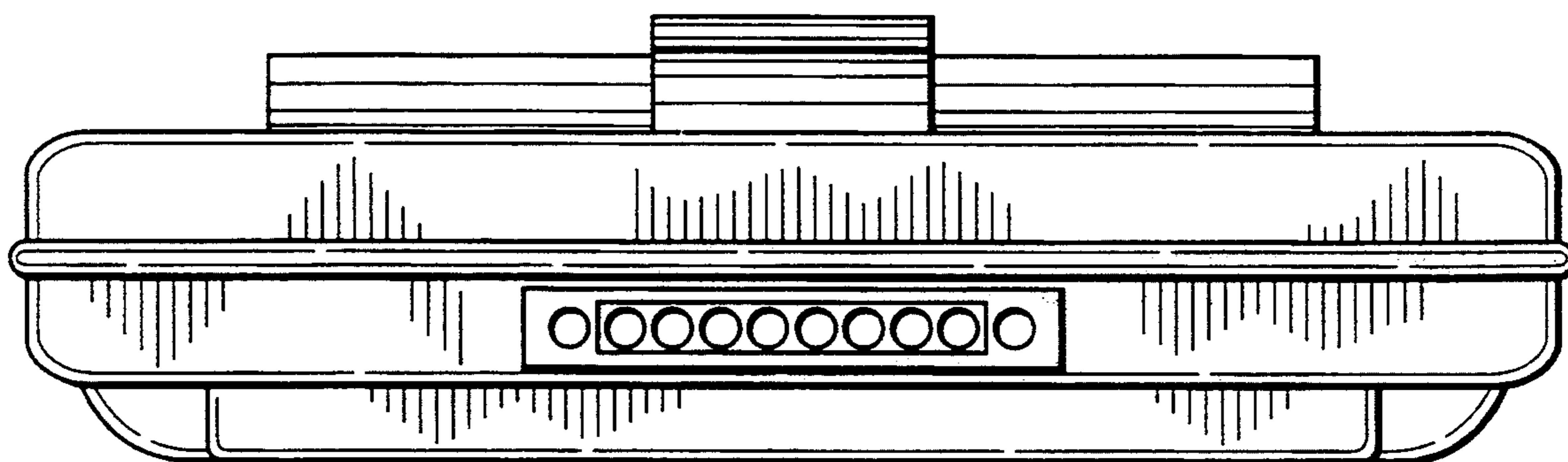


FIG. 2

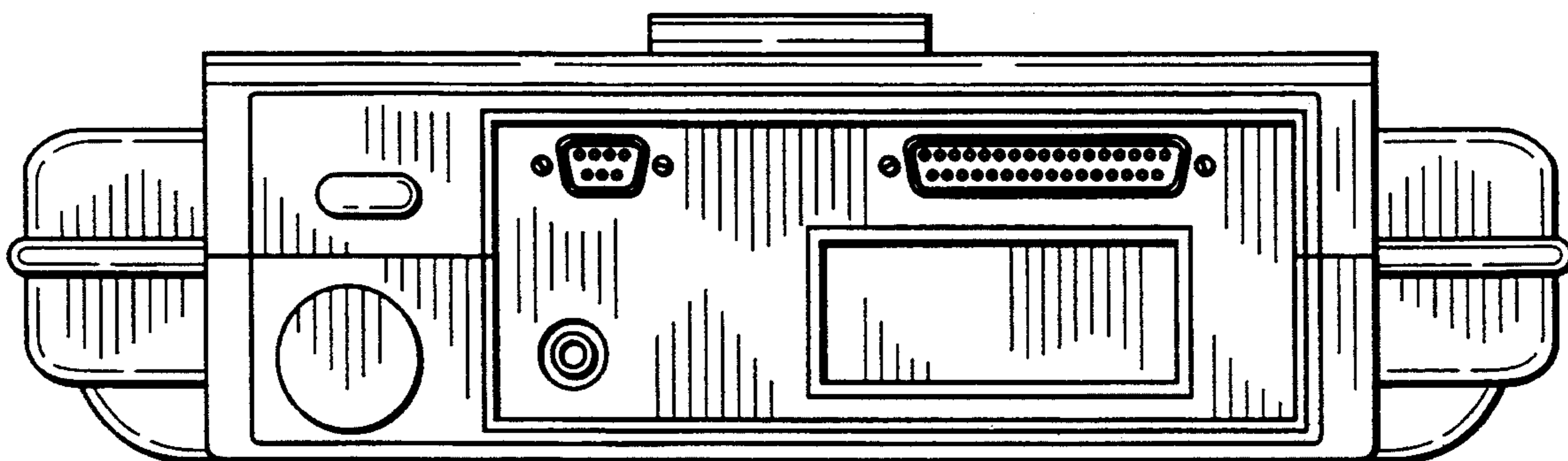


FIG. 3

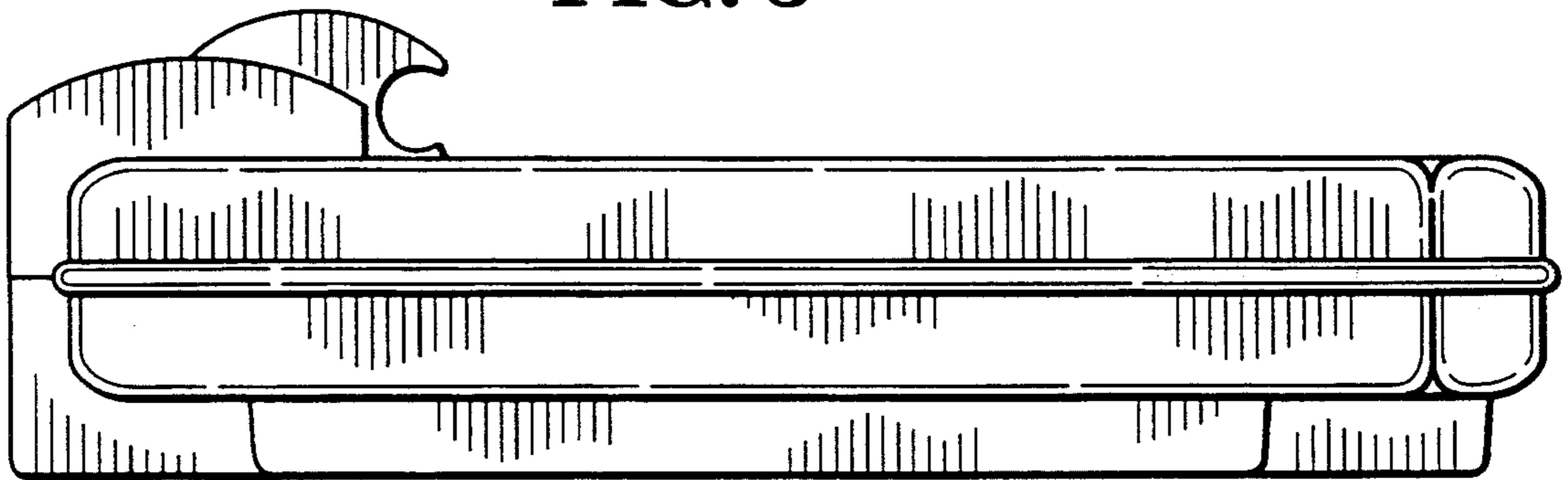


FIG. 4

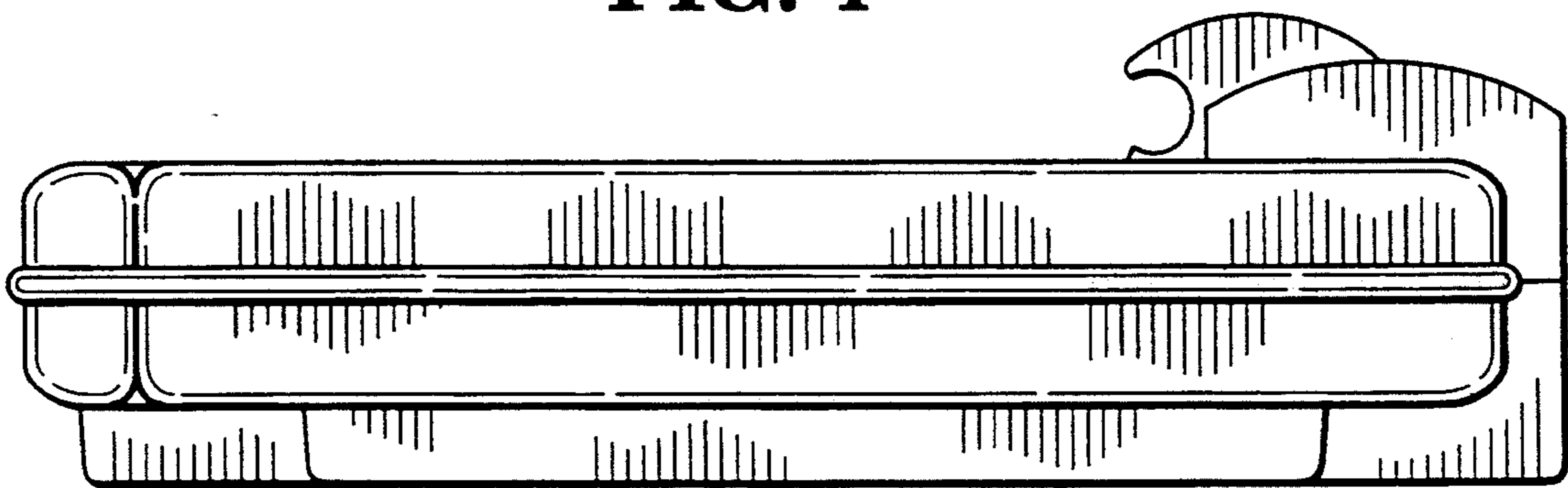
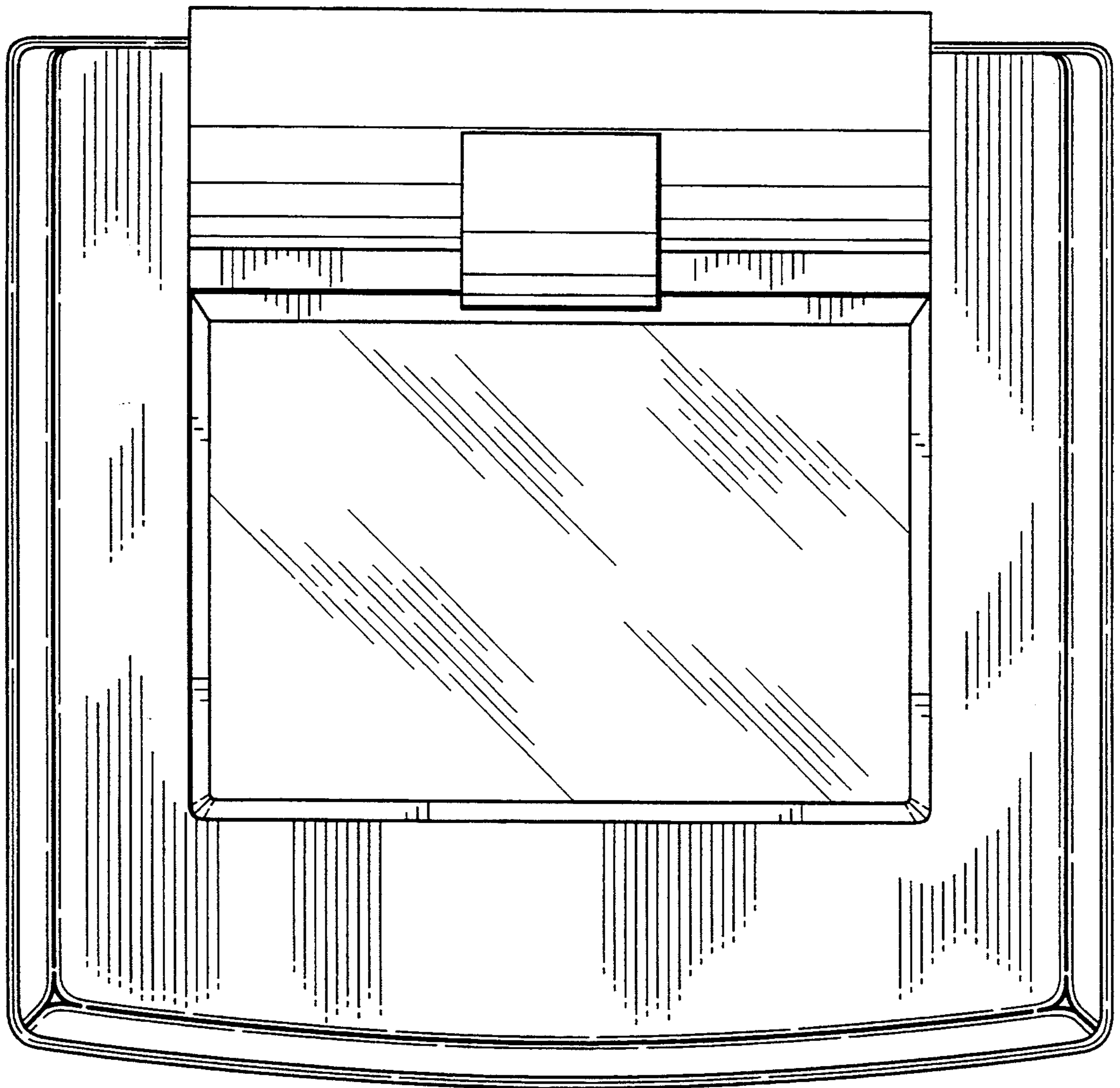


FIG. 5



BEST AVAILABLE COPY

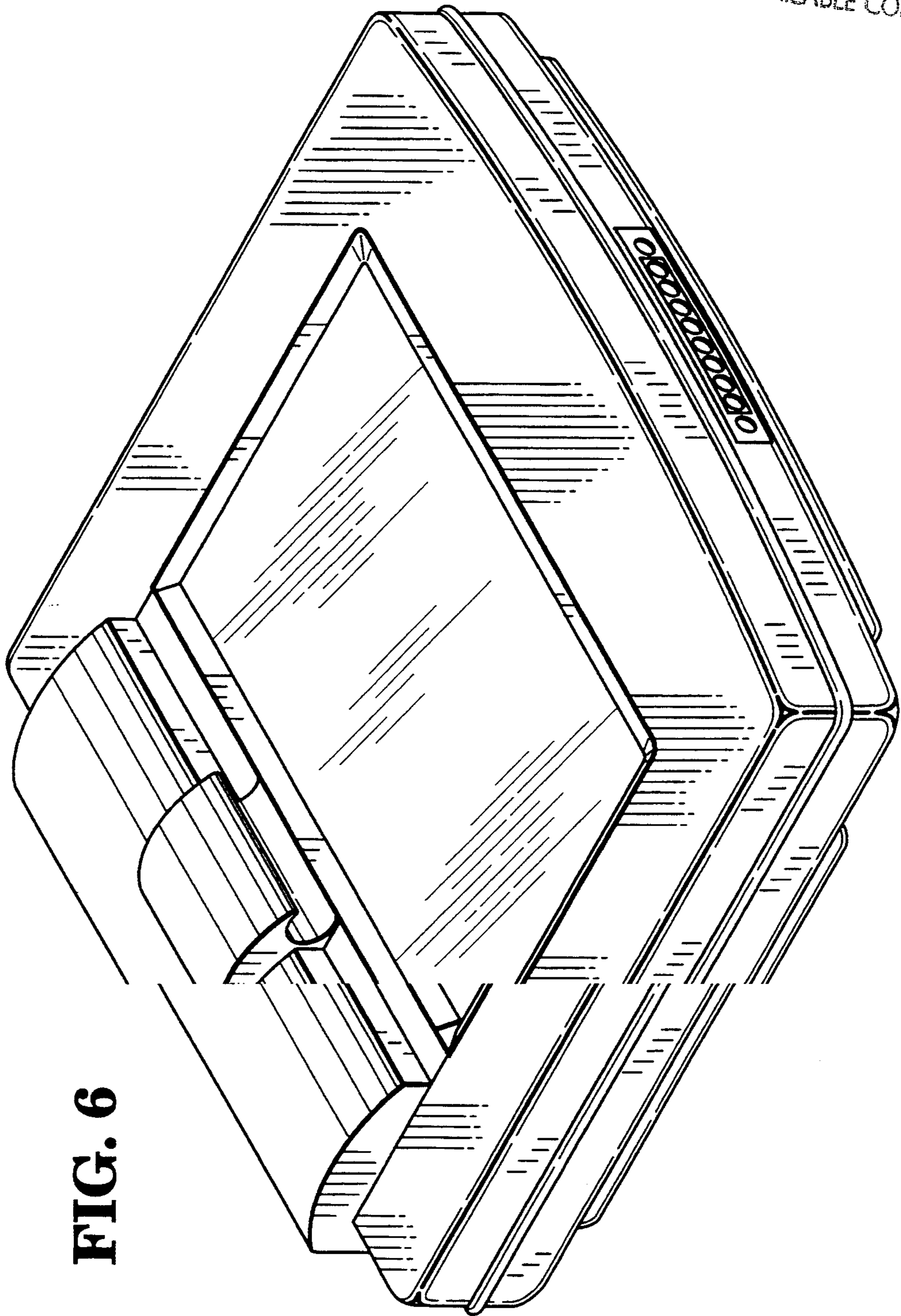


FIG. 6