



US00D355167S

United States Patent [19]

[11] Patent Number: **Des. 355,167**

Barbera et al.

[45] Date of Patent: **** Feb. 7, 1995**

[54] ENCLOSURE FOR COMPUTER

[75] Inventors: **Lawrence E. Barbera**, San Mateo;
Kenneth D. Wood, Woodside, both of Calif.

[73] Assignee: **Apple Computer, Inc.**, Cupertino, Calif.

[**] Term: **14 Years**

[21] Appl. No.: **9,666**

[22] Filed: **Jun. 17, 1993**

[52] U.S. Cl. **D14/100; D14/113**

[58] Field of Search **D14/100, 101, 106, 113, D14/124-127; 345/104, 133, 156, 168, 173, 901-905; 358/249, 254, 255; 248/917-924**

[56] References Cited

U.S. PATENT DOCUMENTS

- D. 310,067 8/1990 Koprowski et al. D14/106
- D. 327,259 6/1992 Barbera et al. D14/106
- D. 331,744 12/1992 Kawai D14/106
- D. 339,327 9/1993 Crawford et al. D14/100

OTHER PUBLICATIONS

MacWarehouse Aug. 1991 p. 15 "Voice Navigator II With Desktop Mike" (located top left side of page).

Primary Examiner—Freda S. Nunn
Attorney, Agent, or Firm—Jeffrey J. Brooks

[57] CLAIM

The ornamental design for an enclosure for computer, as shown and described.

DESCRIPTION

FIG. 1 is a top front and right side perspective view of an enclosure for computer showing our new design; FIG. 2 is an enlarged front elevational view thereof; FIG. 3 is a rear elevational view thereof; FIG. 4 is a right side elevational view thereof; FIG. 5 is a left side elevational view thereof; FIG. 6 is a top plan view thereof; FIG. 7 is a bottom plan view thereof; FIG. 8 is a top front and right side perspective view of a second embodiment thereof; and, FIG. 9 is a top rear and left side perspective view is identical in appearance to that of the first embodiment.

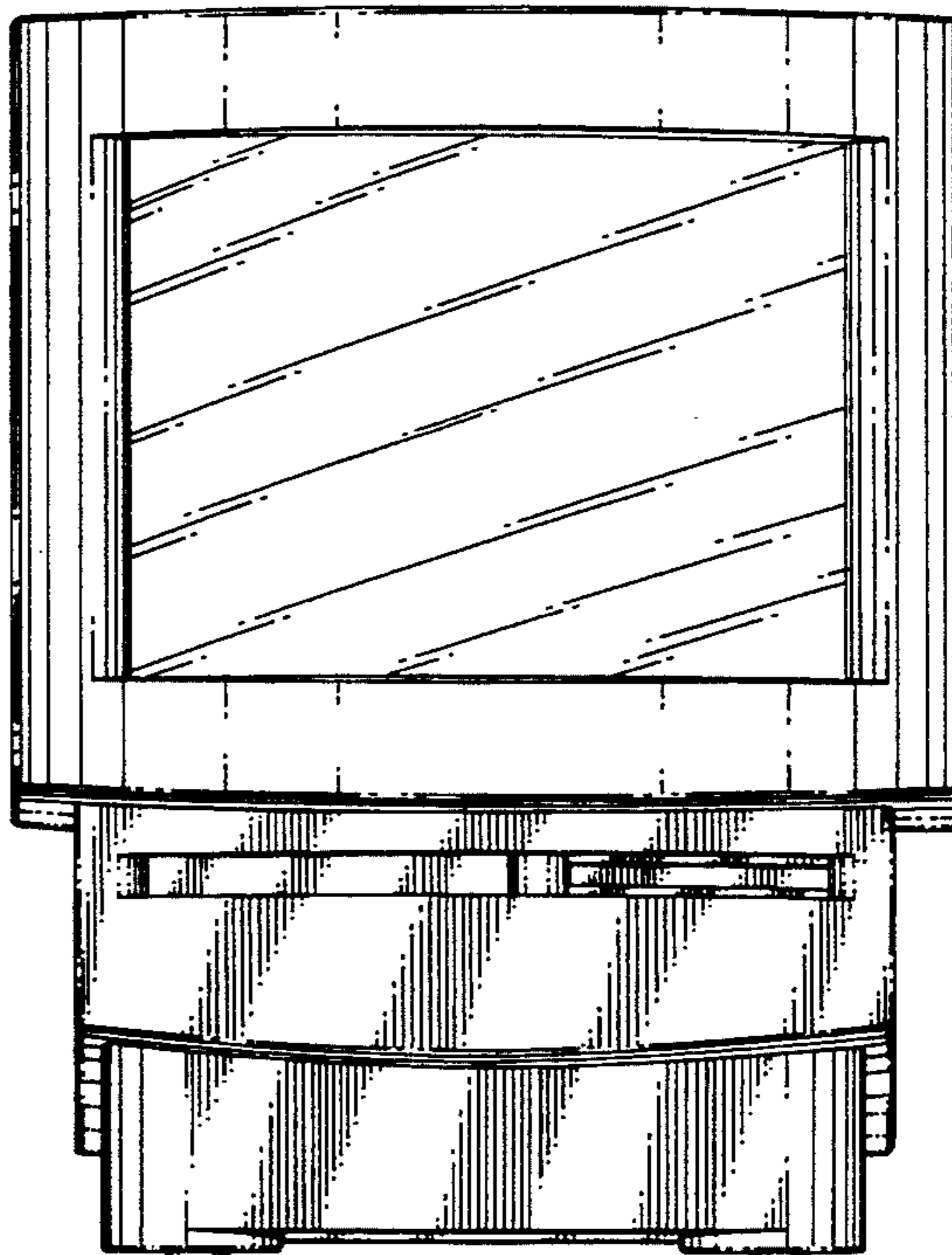
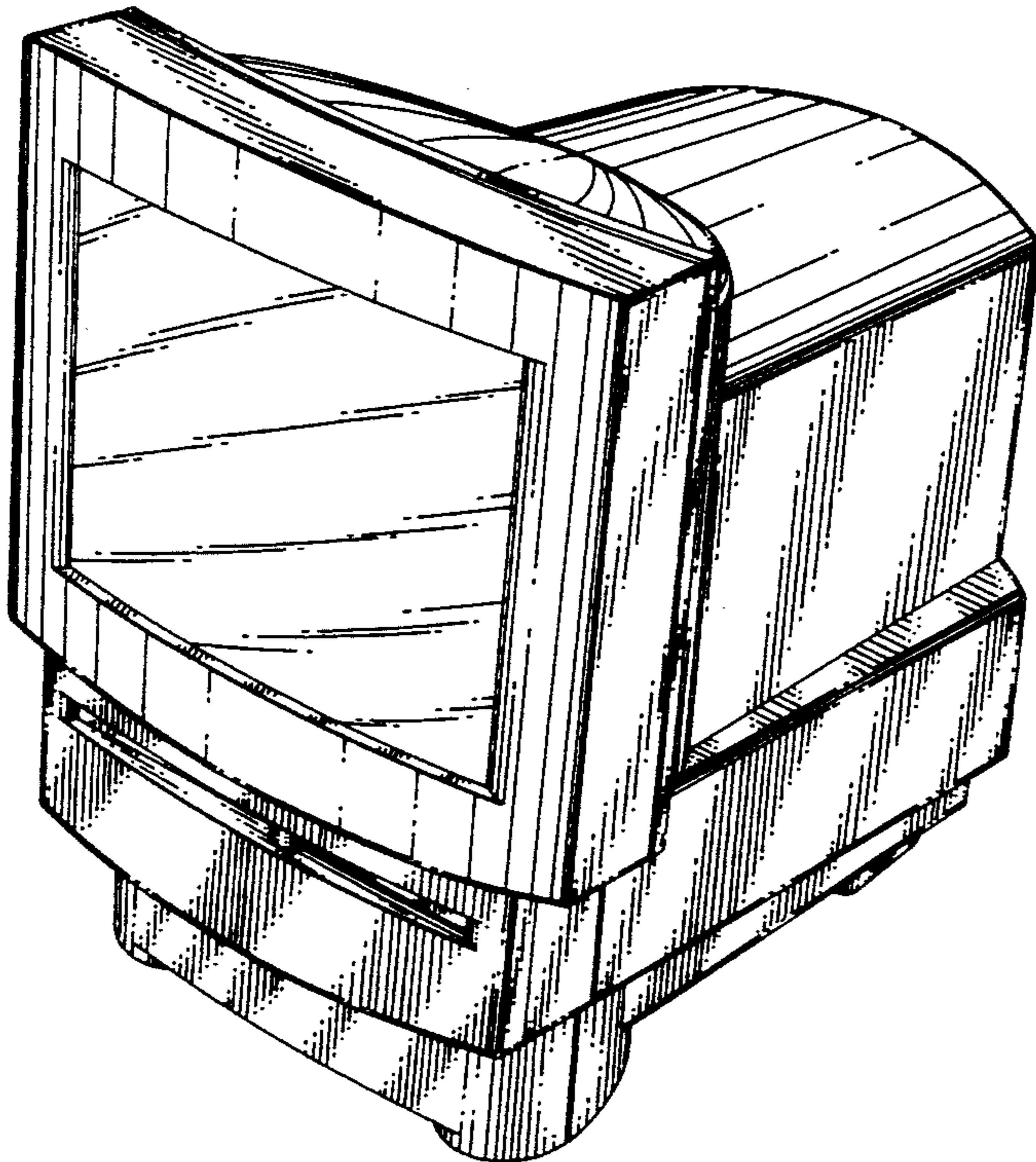


FIG 1

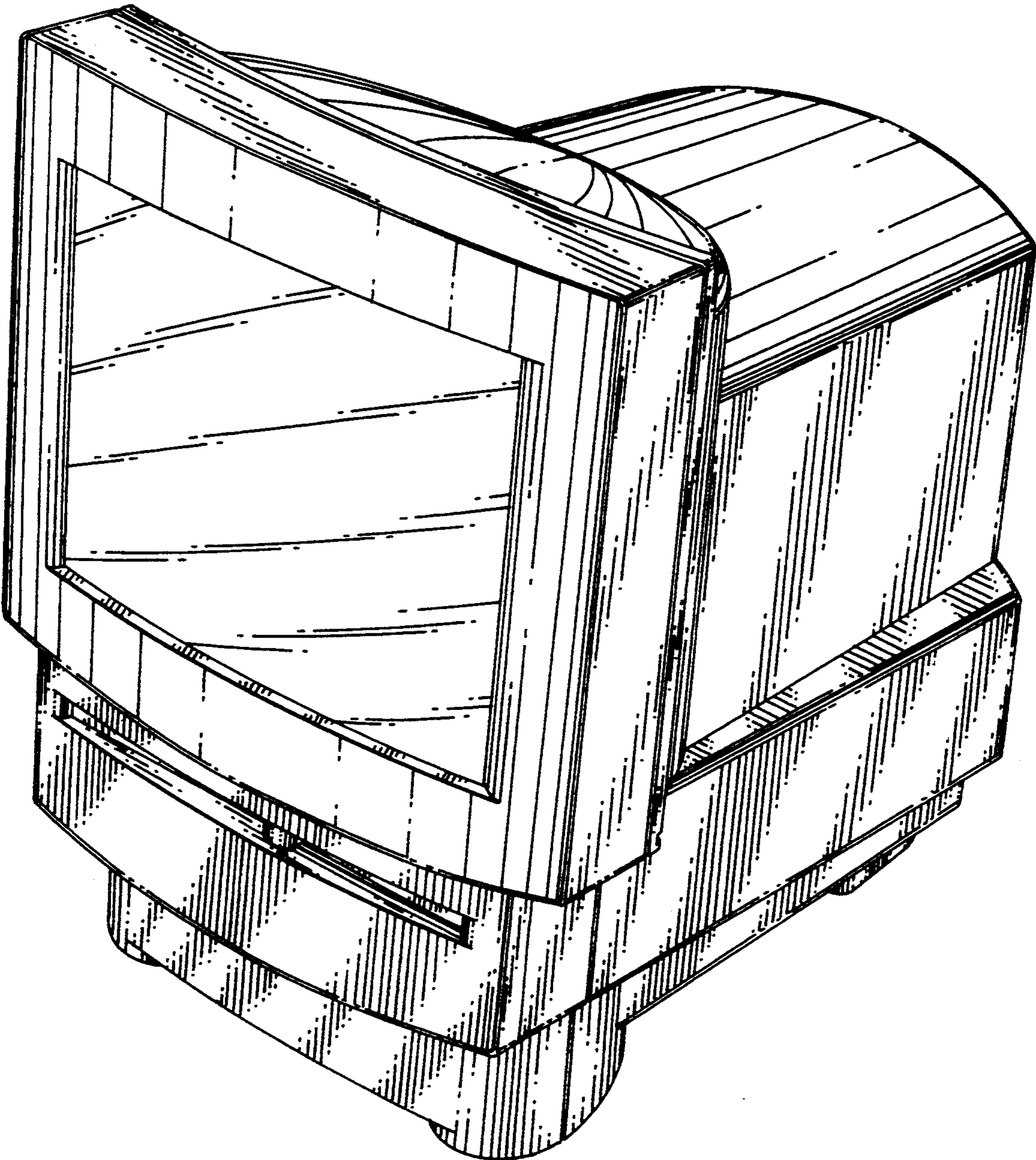


FIG 2

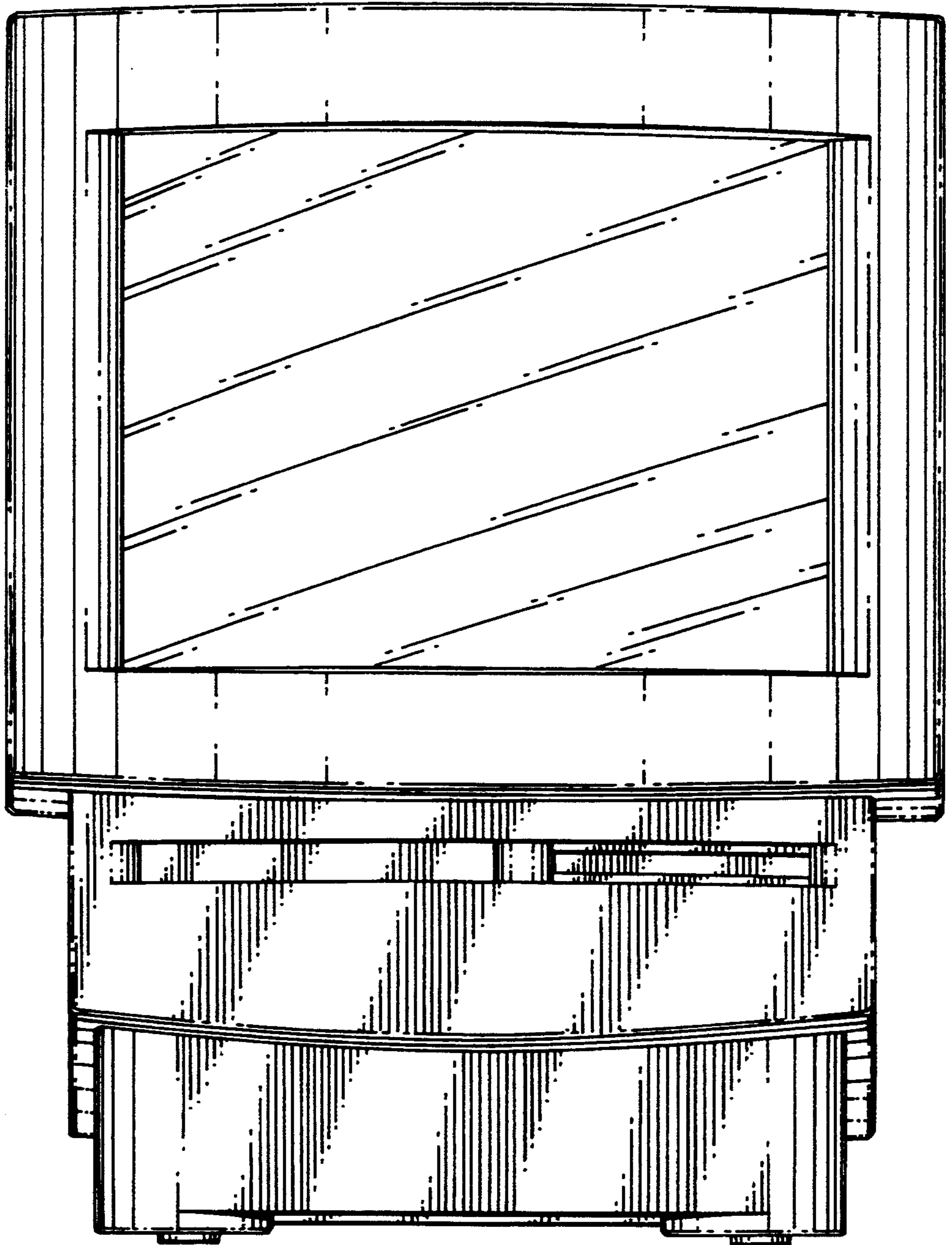


FIG 3

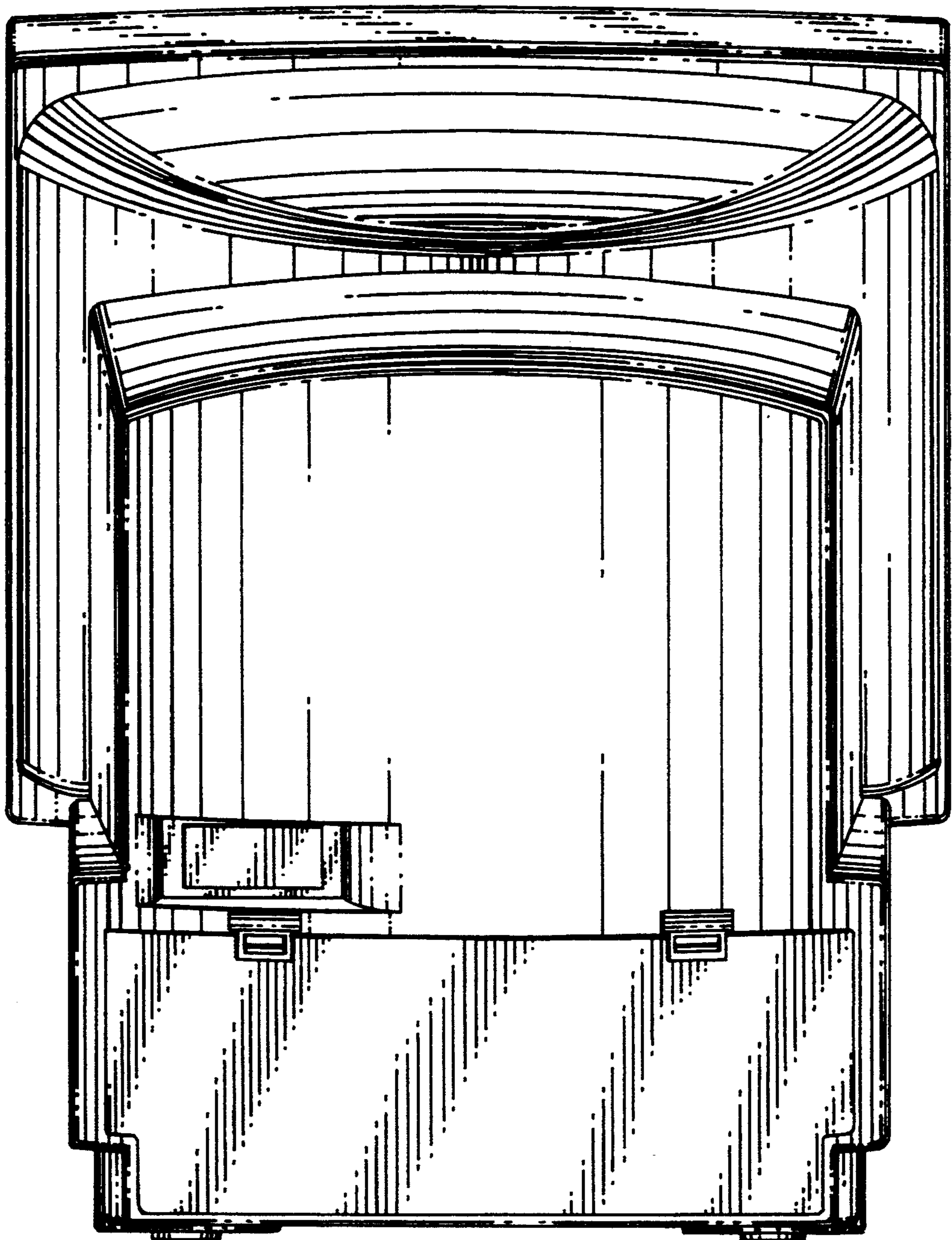


FIG 4

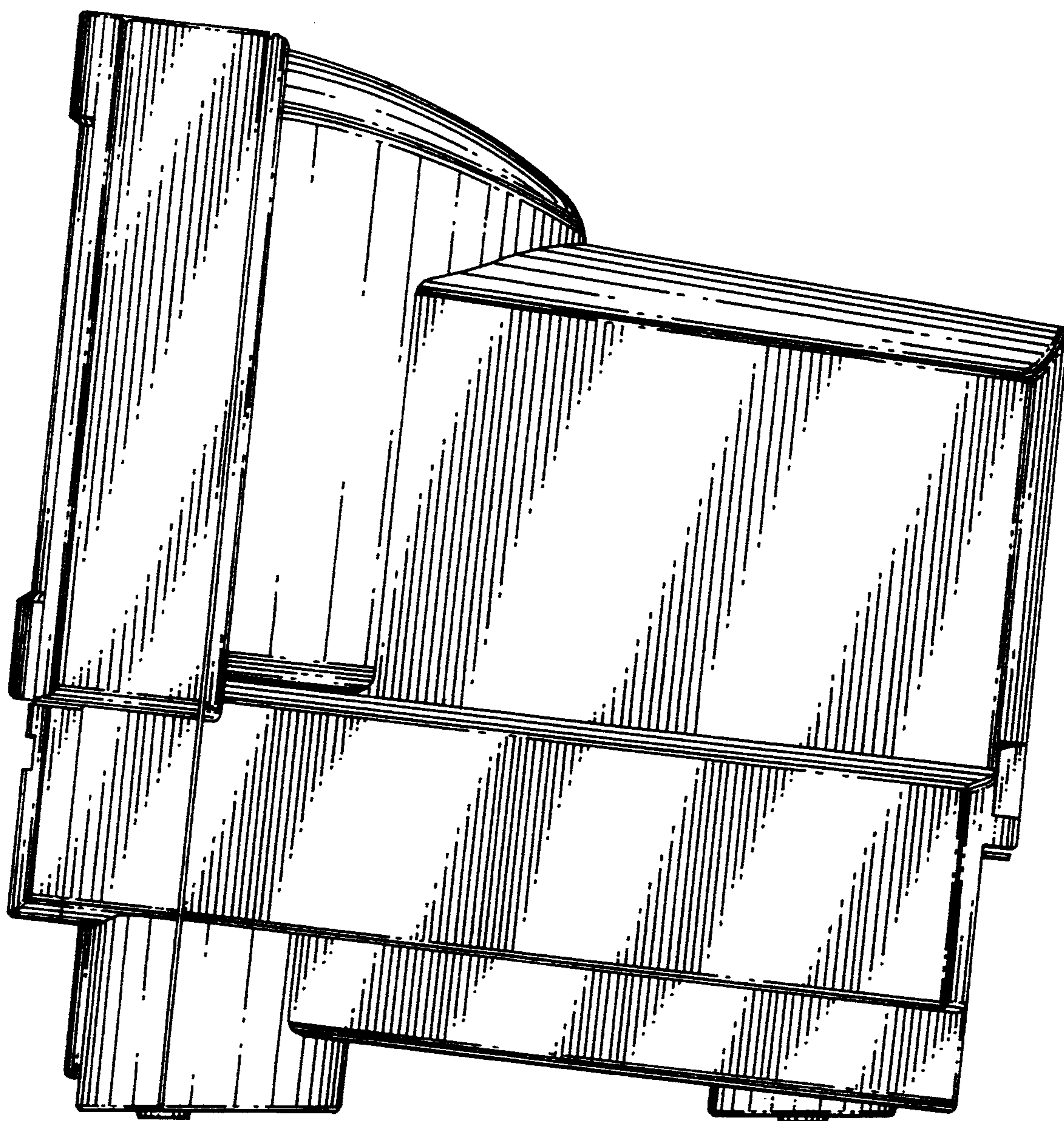


FIG 5

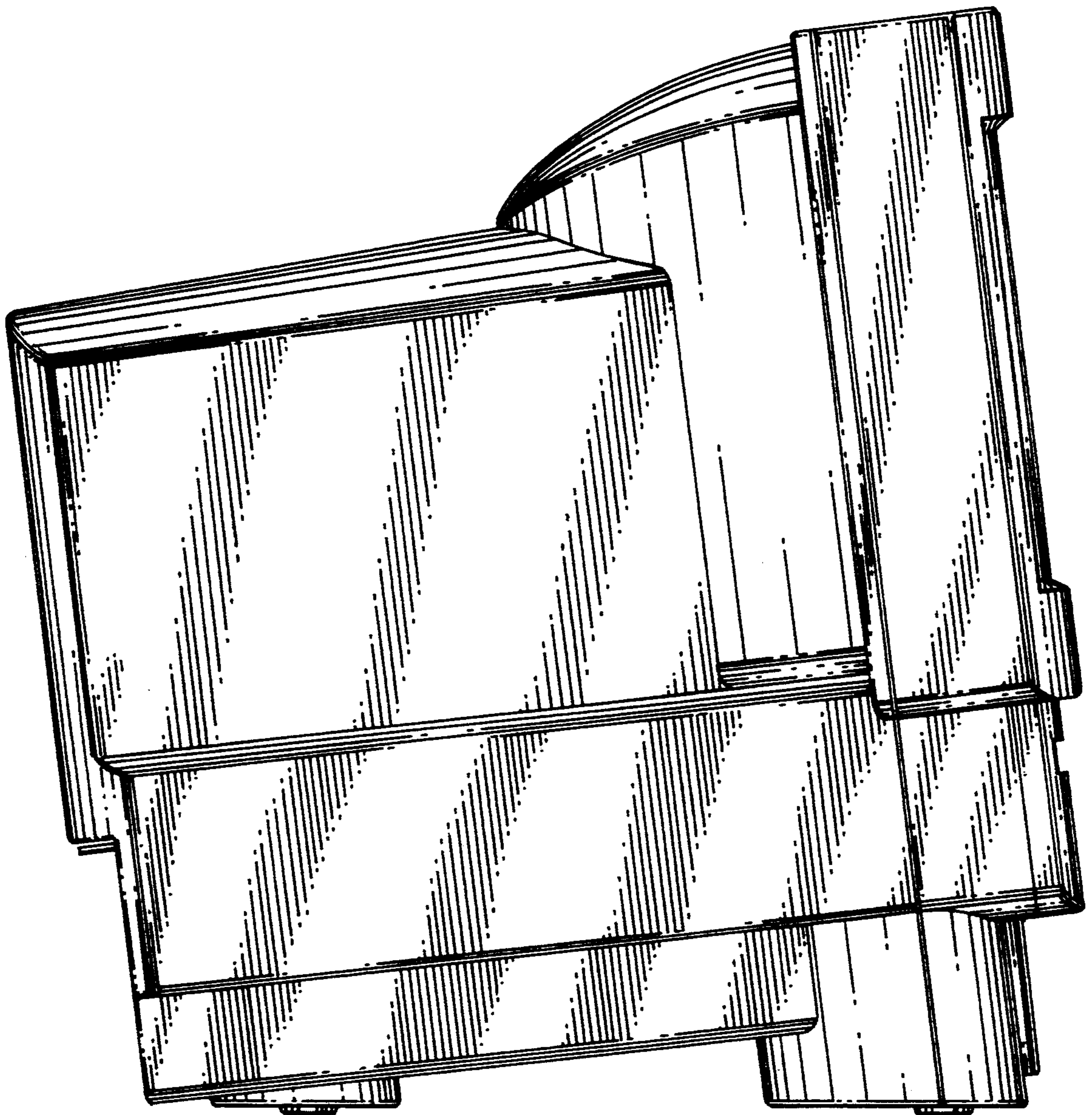


FIG 6

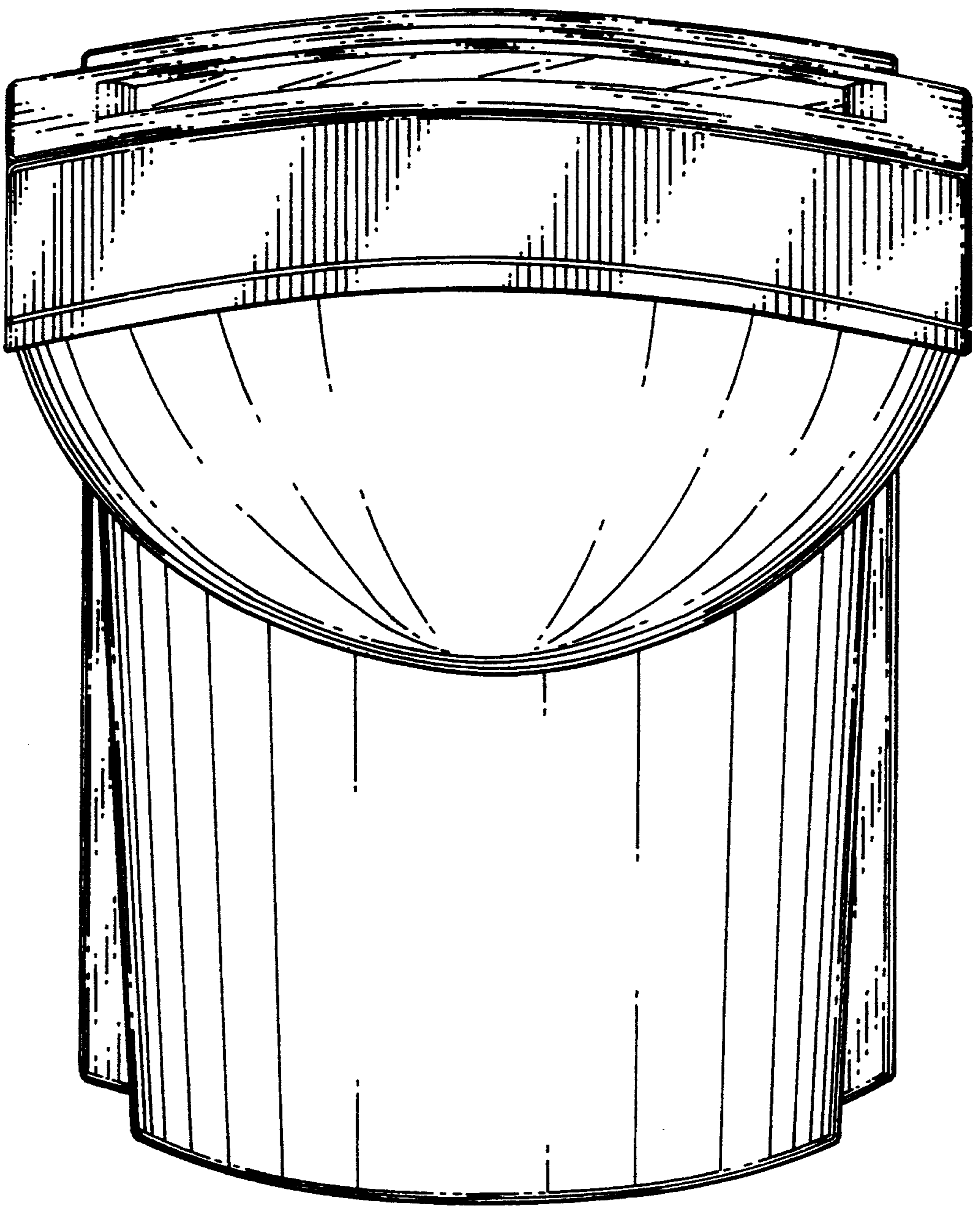


FIG 7

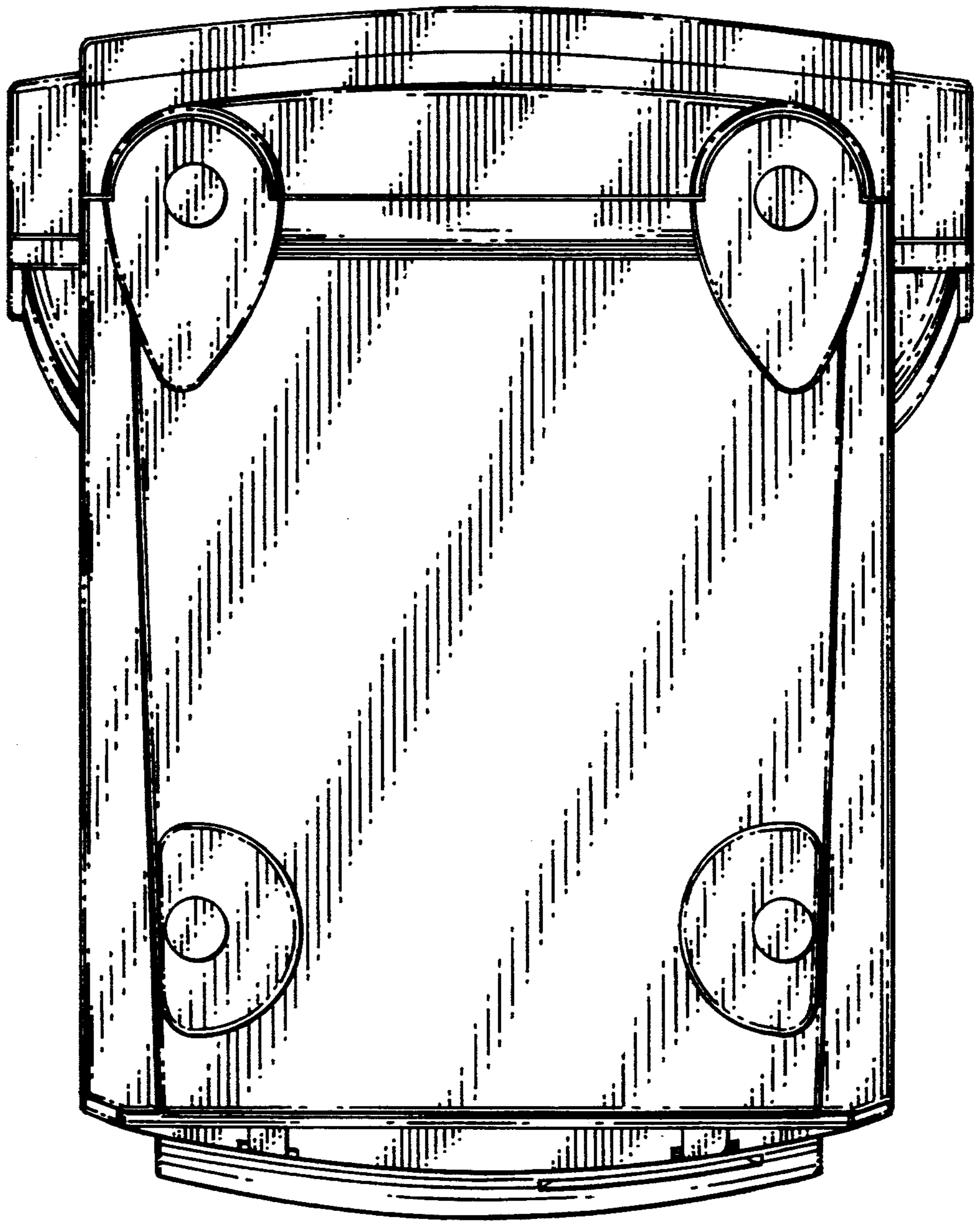


FIG 8

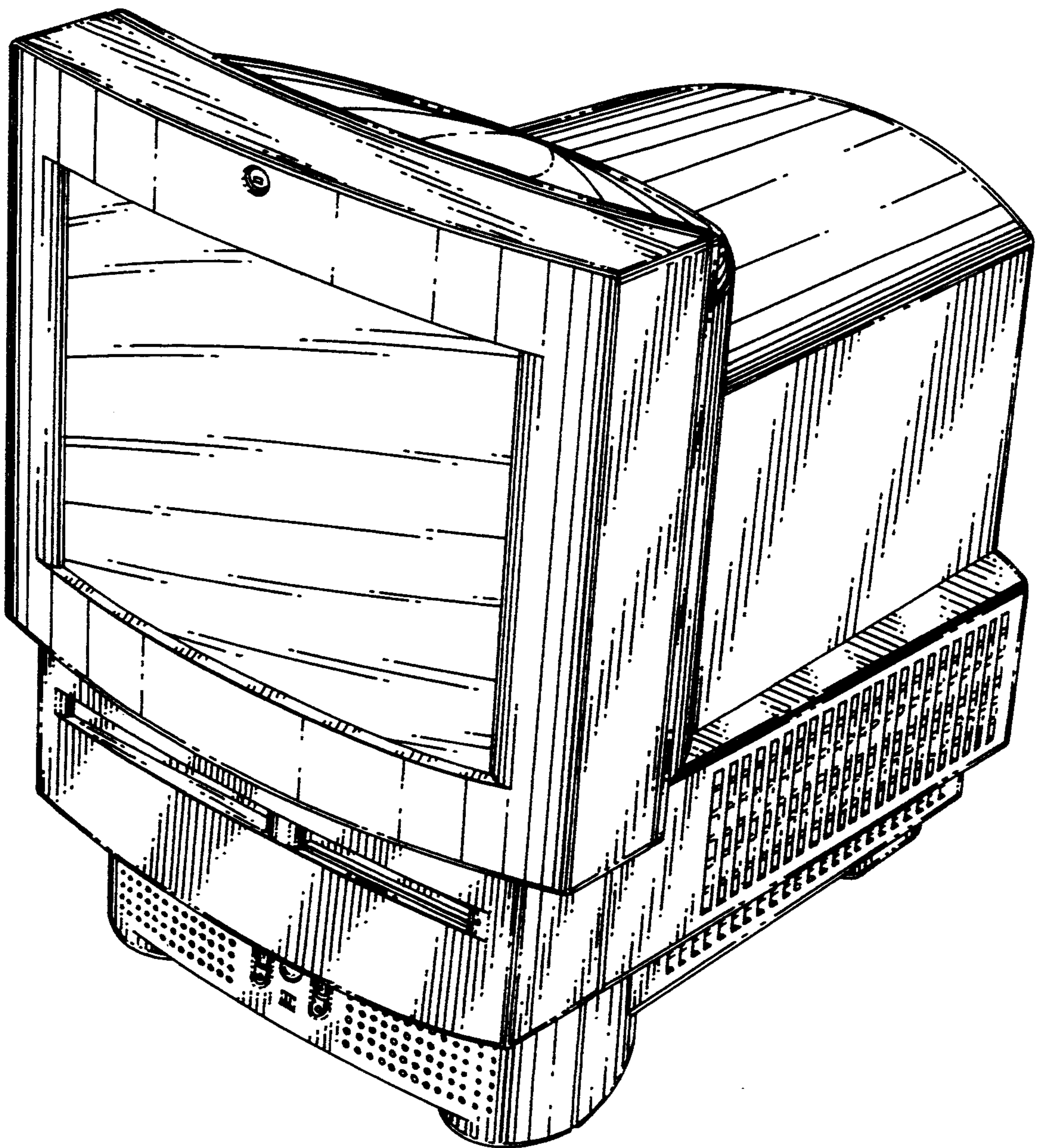


FIG 9

