



US00D355165S

United States Patent [19]

[11] Patent Number: **Des. 355,165**

Sakaguchi et al.

[45] Date of Patent: **** Feb. 7, 1995**

[54] **PORTABLE COMPUTER WITH OPERATION PEN**

- D. 333,299 2/1993 Amber et al. D14/106
- D. 341,823 11/1993 Sakai D14/100
- D. 346,589 5/1994 Andros D14/100
- D. 346,793 5/1994 Iino et al. D14/100

[75] Inventors: **Hiroshi Sakaguchi**, Kyoto; **Hidetoshi Tamaki**, Nara, both of Japan

Primary Examiner—Alan P. Douglas
Assistant Examiner—Caron D. Veynar
Attorney, Agent, or Firm—Nixon & Vanderhye

[73] Assignee: **Sharp Kabushiki Kaisha**, Osaka, Japan

[**] Term: **14 Years**

[57] **CLAIM**

[21] Appl. No.: **2,315**

The ornamental design for portable computer with operation pen, as shown and described.

[22] Filed: **Nov. 20, 1992**

DESCRIPTION

[30] **Foreign Application Priority Data**

FIG. 1 is a top, left side and front perspective view of portable computer with operation pen according to our design;

May 27, 1992 [JP] Japan 4-15583

[52] U.S. Cl. **D14/100**

FIG. 2 is a top plan view thereof;

[58] Field of Search D18/1, 6, 7, 11;

FIG. 3 is a left side elevational view thereof;

D14/100, 106, 101; 235/145 A, 145 R;

FIG. 4 is a front elevational view thereof;

340/700, 706; 364/706-710

FIG. 5 is a right side elevational view thereof;

[56] **References Cited**

FIG. 6 is a rear elevational view thereof;

U.S. PATENT DOCUMENTS

FIG. 7 is a bottom plan view thereof; and,

D. 324,673 3/1992 Iino D14/106

FIG. 8 is a view similar to FIG. 1 with the cover in an open position.

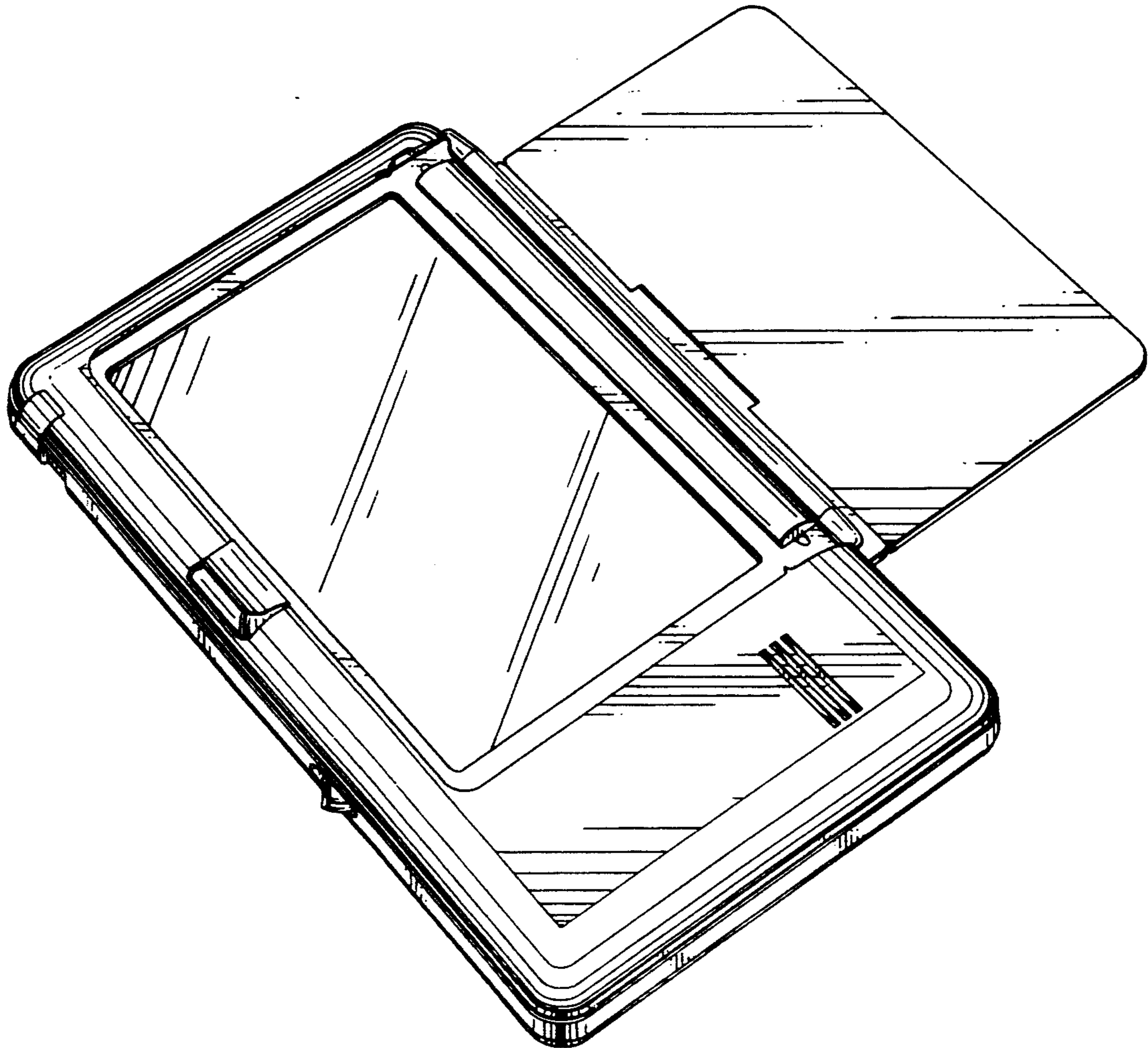


FIG. 1

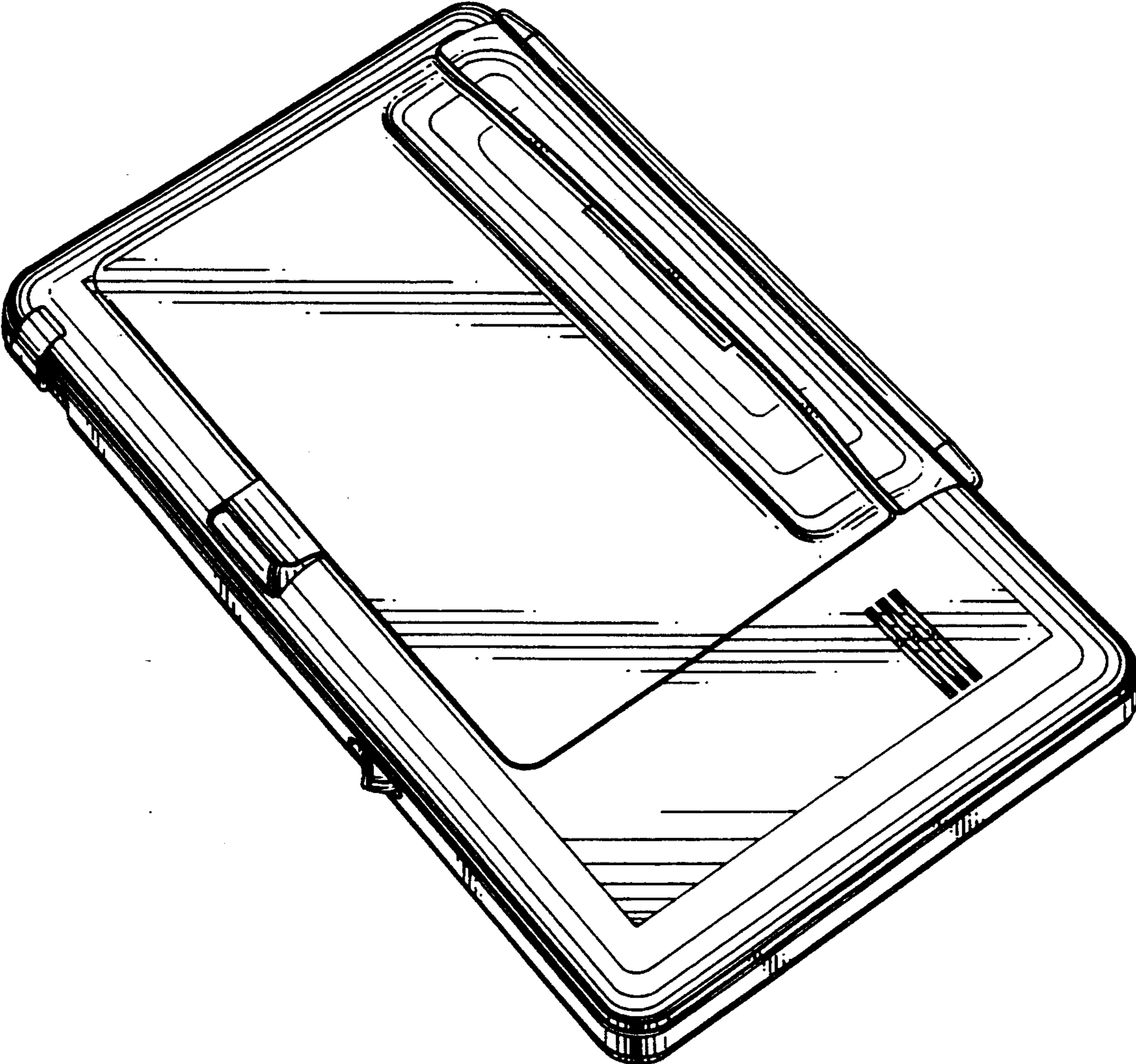


FIG. 2

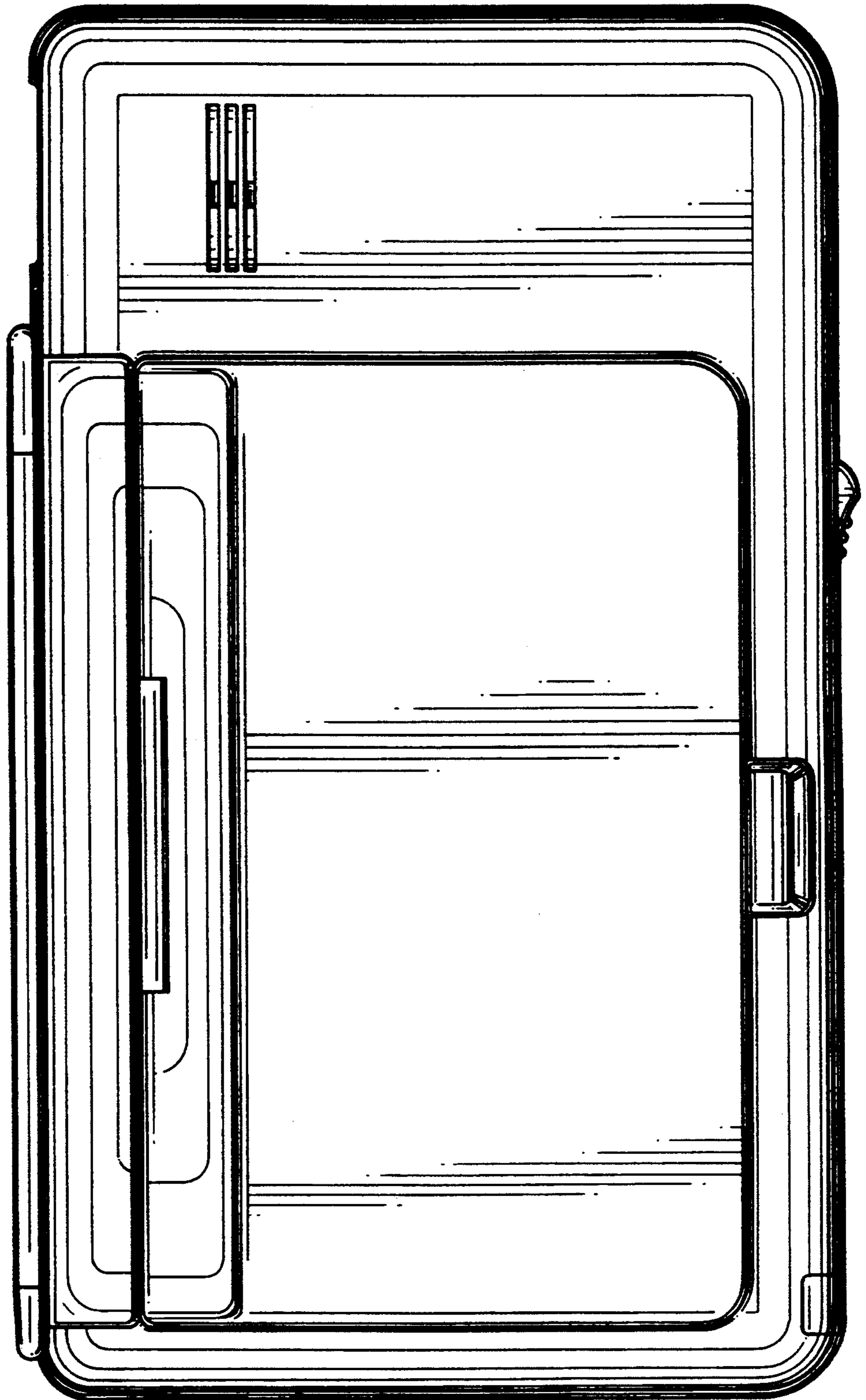


FIG. 3

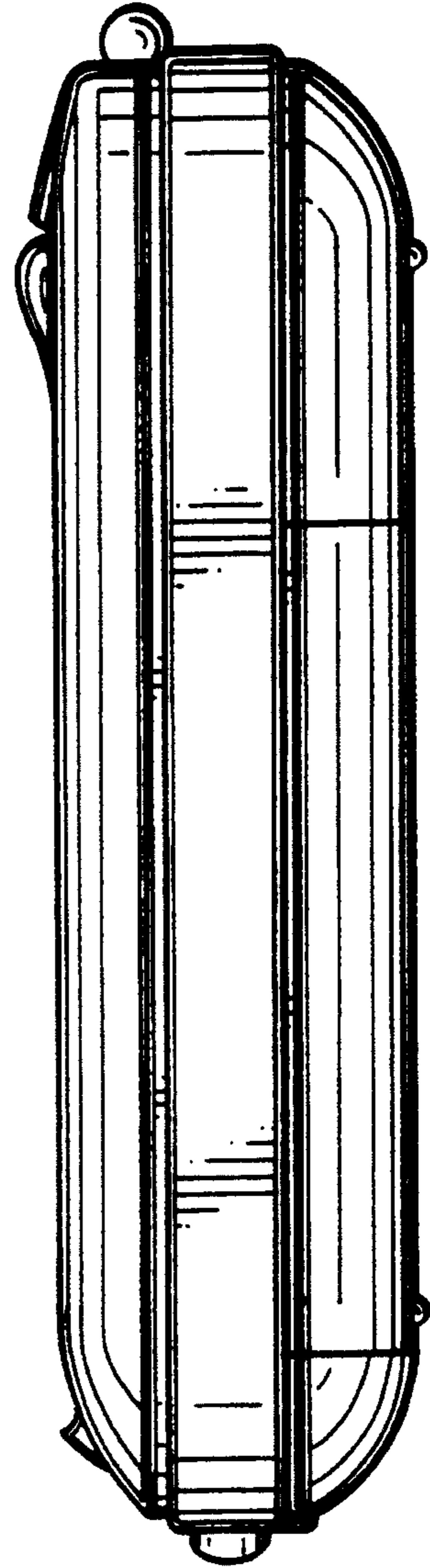
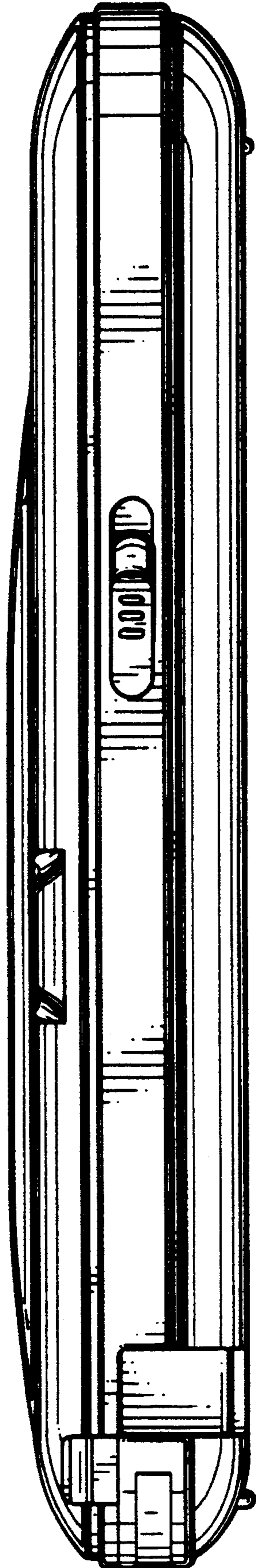


FIG. 4

FIG. 5

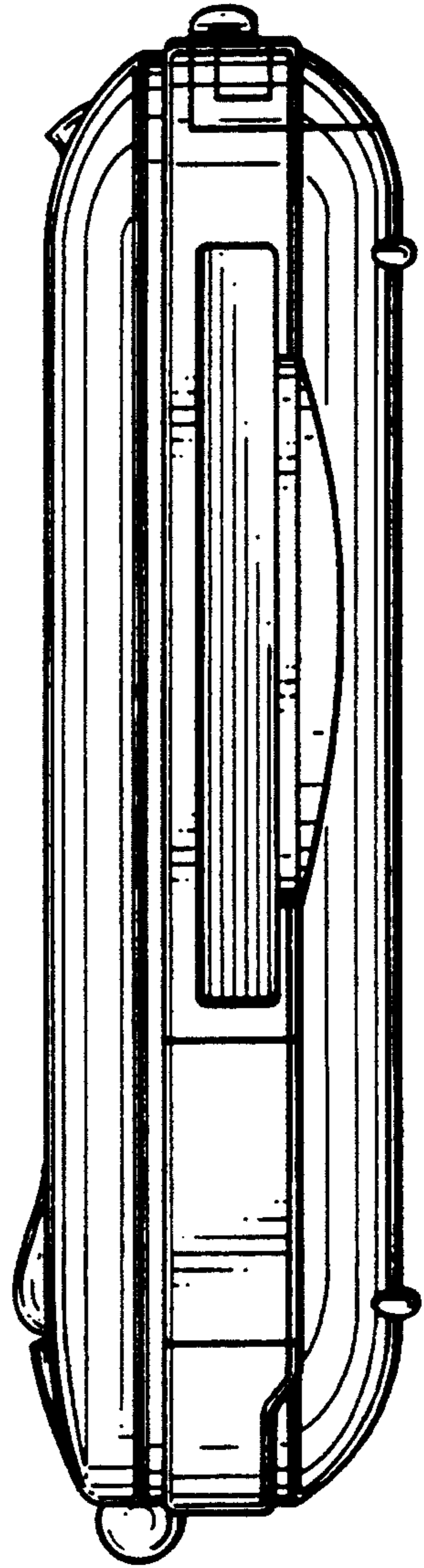
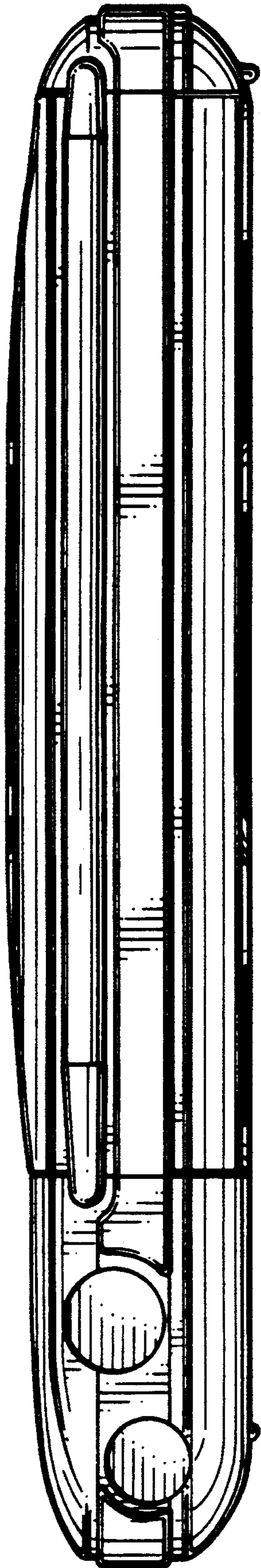
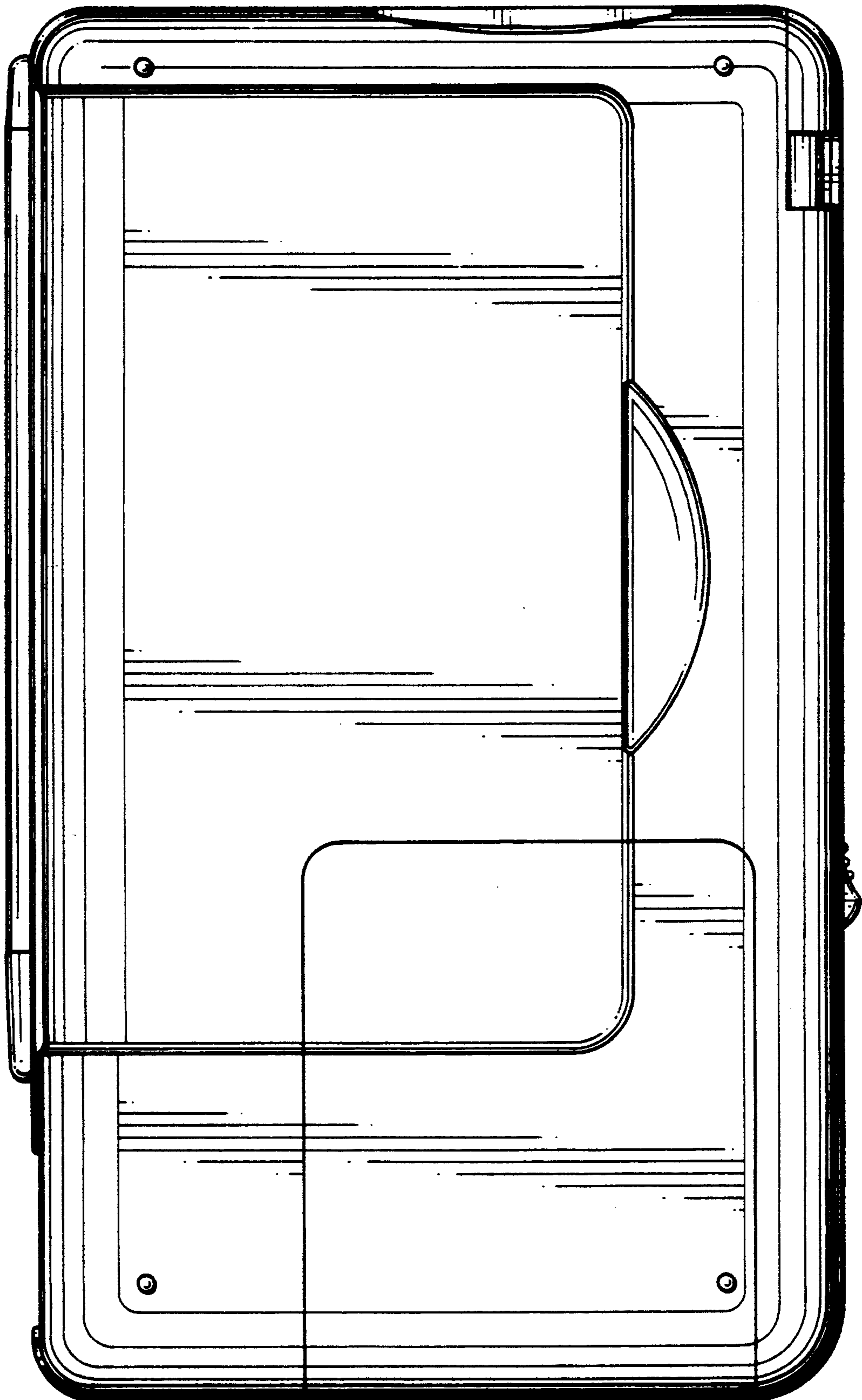


FIG. 6

FIG. 7



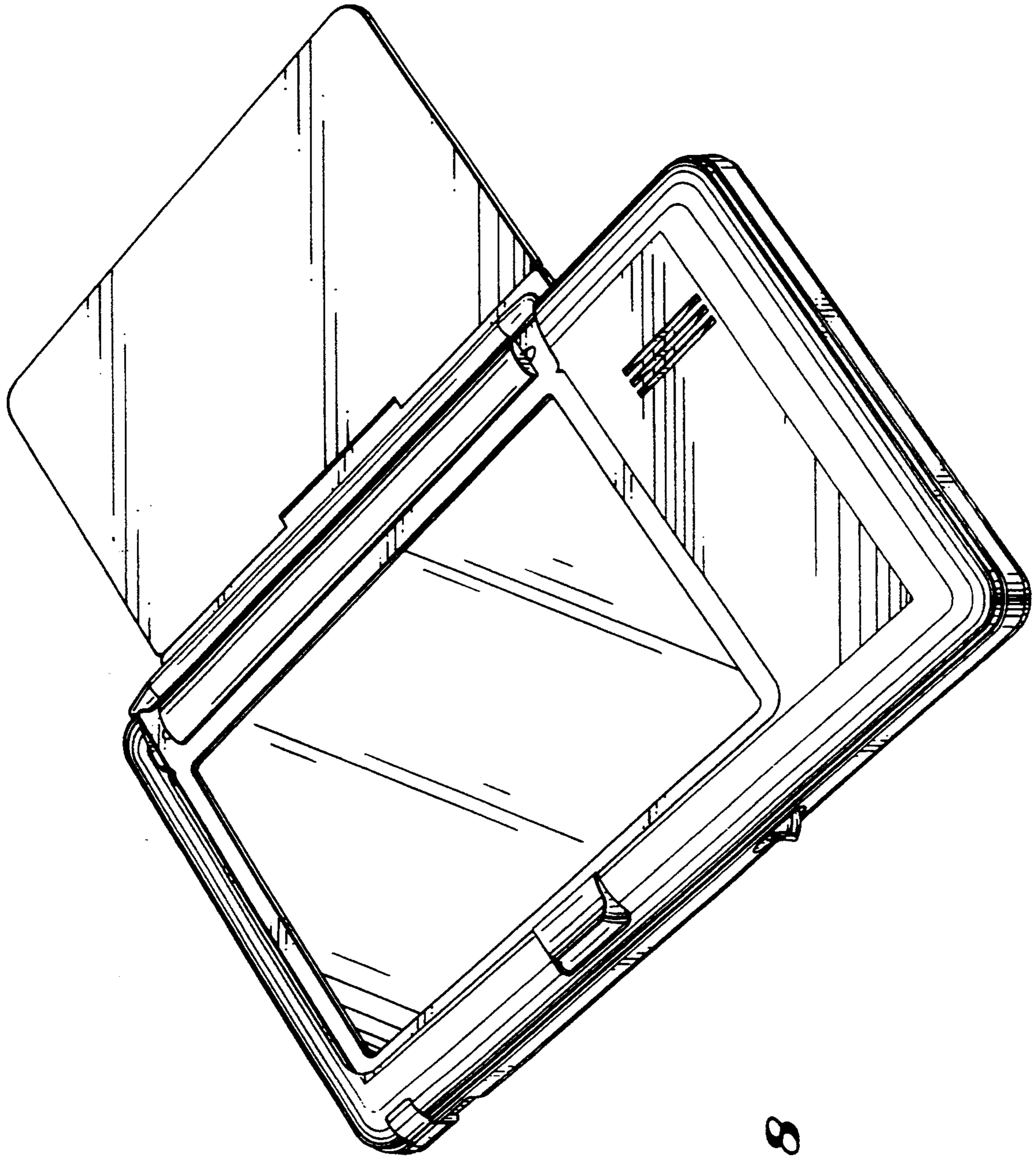


FIG. 8