



US00D355163S

United States Patent [19]

[11] Patent Number: **Des. 355,163**

Dolson et al.

[45] Date of Patent: **** Feb. 7, 1995**

[54] **FEMALE PLUG FOR AN ELECTRICAL CORD**

5,154,642 10/1992 Chung-Yin 439/655 X

[75] Inventors: **Micheal D. Dolson**, Brockville; **Tibor Maknyik**, Richmond Hill, both of Canada

OTHER PUBLICATIONS

MAC II extension cables on p. 23 of 1988 *Businessland* catalog.

[73] Assignee: **Black & Decker Inc.**, Newark, Del.

Primary Examiner—Joel Sincavage
Attorney, Agent, or Firm—Barry E. Deutsch

[**] Term: **14 Years**

[57] CLAIM

[21] Appl. No.: **12,189**

The ornamental design for a female plug for an electrical cord, as shown and described.

[22] Filed: **Aug. 26, 1993**

DESCRIPTION

[52] U.S. Cl. **D13/146**

[58] Field of Search D13/133, 137, 138, 146; 439/606, 655, 660, 677, 680, 682, 685

FIG. 1 is a perspective view of a female plug for an electrical cord showing our new design;
FIG. 2 is a top plan view thereof;
FIG. 3 is a front elevational view thereof;
FIG. 4 is a right side elevational view thereof, with the left side elevational view being a mirror image;
FIG. 5 is a rear elevational view thereof; and,
FIG. 6 is a bottom plan view thereof.

[56] References Cited

U.S. PATENT DOCUMENTS

- | | | | | |
|------------|---------|---------|-------|---------|
| D. 195,171 | 5/1963 | Keller | | D13/146 |
| D. 242,720 | 12/1976 | Lofrese | | D13/146 |
| 4,764,129 | 8/1988 | Jones | | 439/677 |

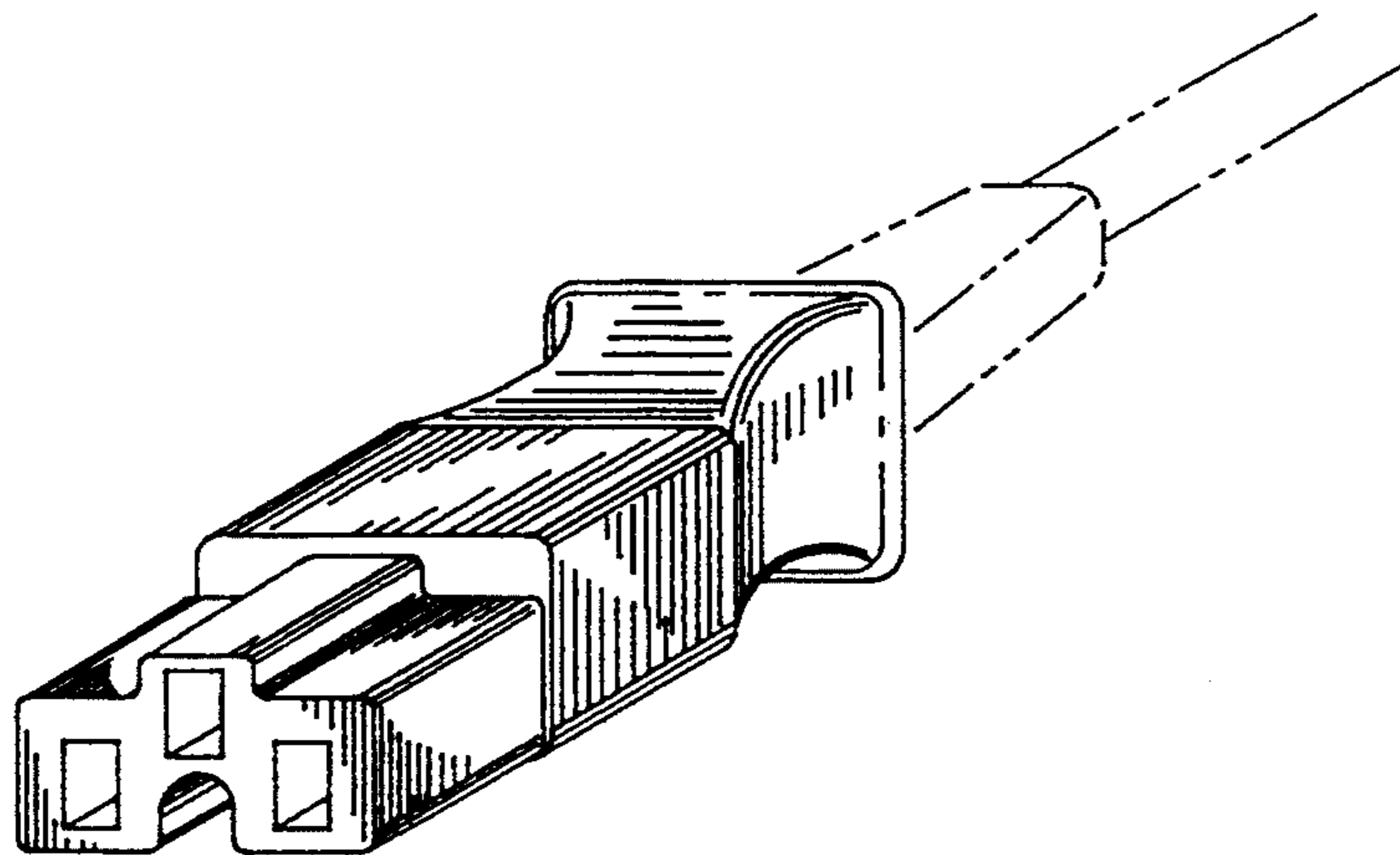


FIG. 1

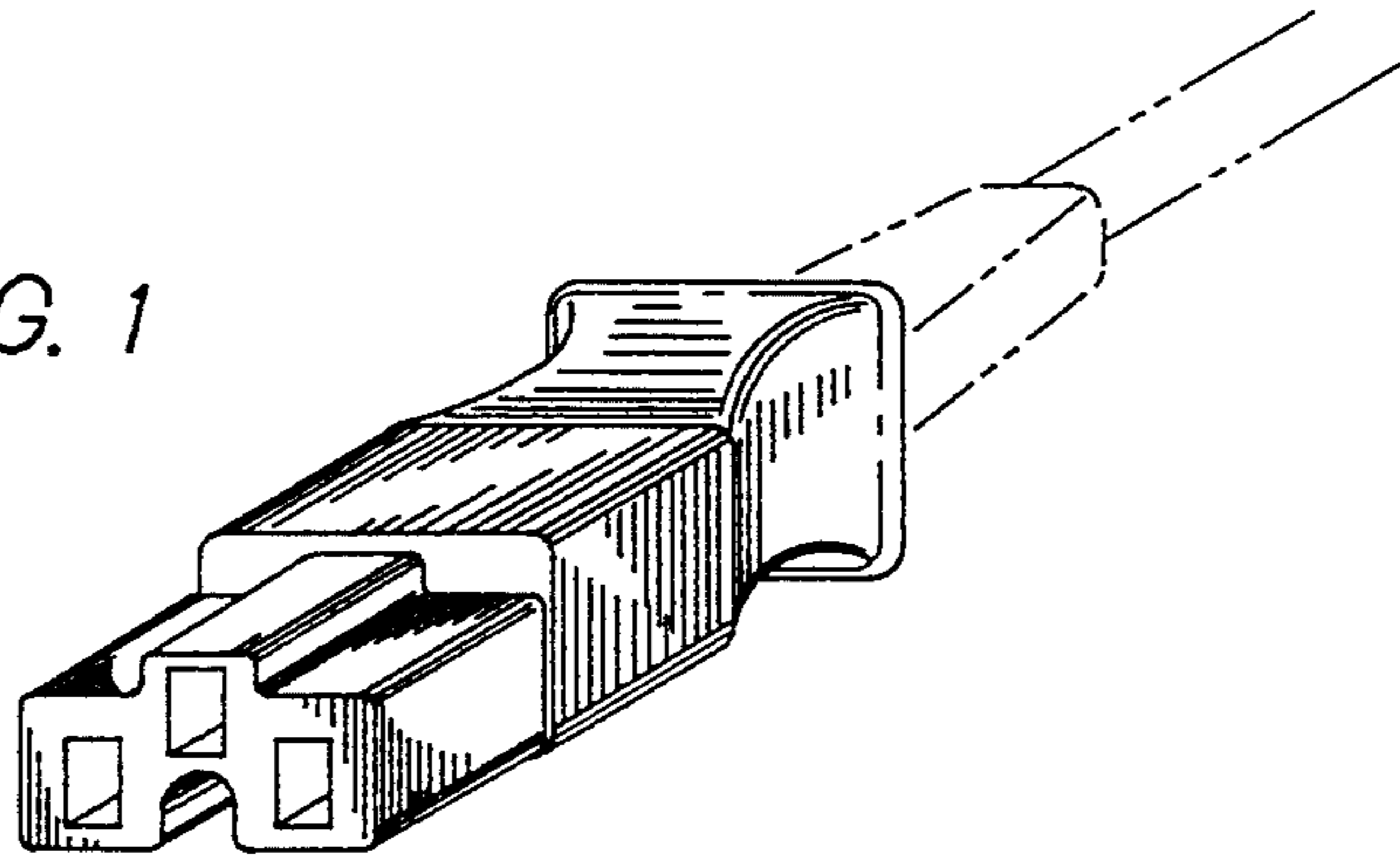


FIG. 2

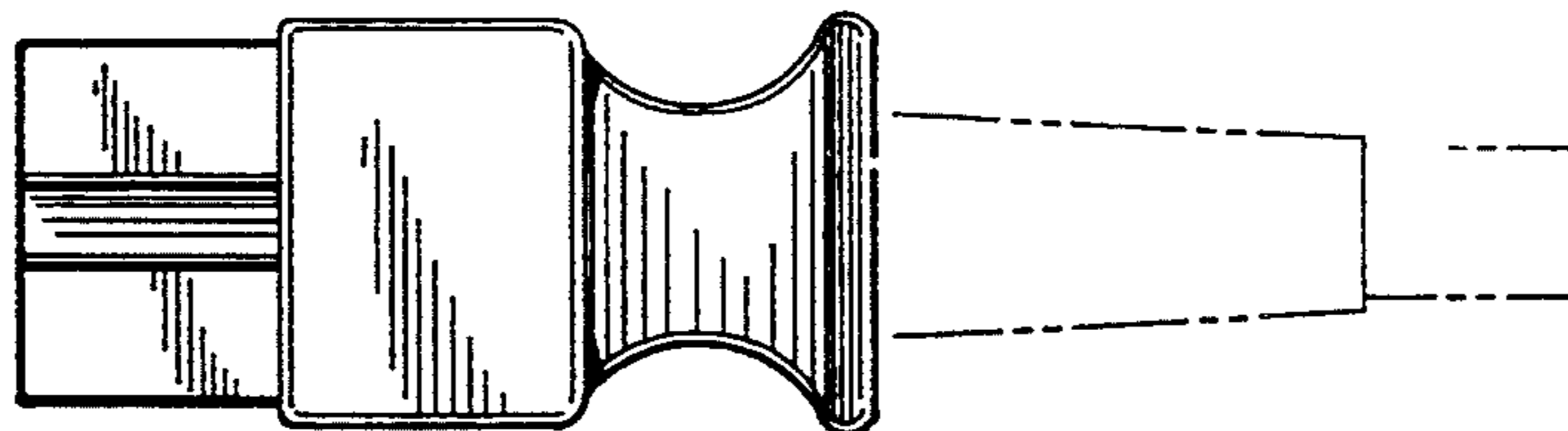


FIG. 3

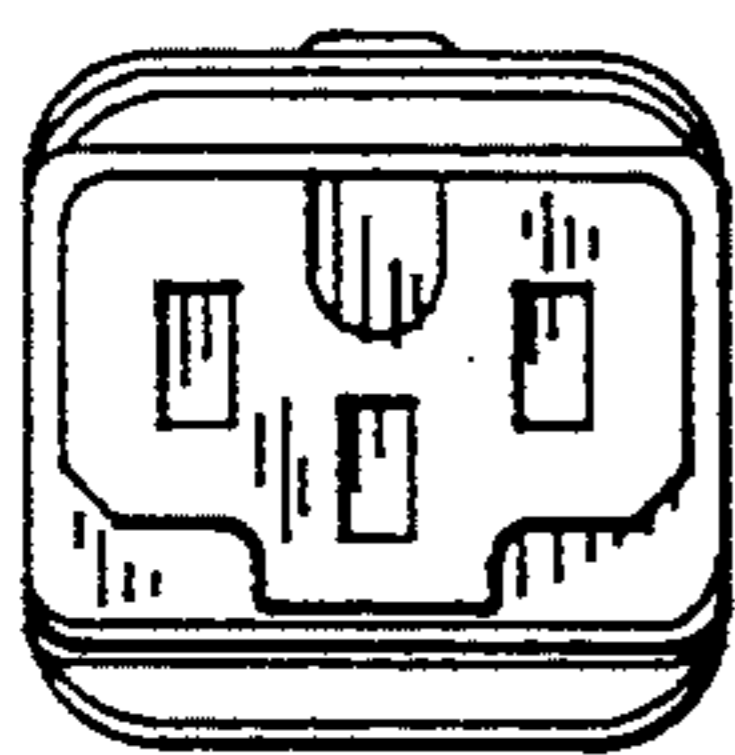


FIG. 4

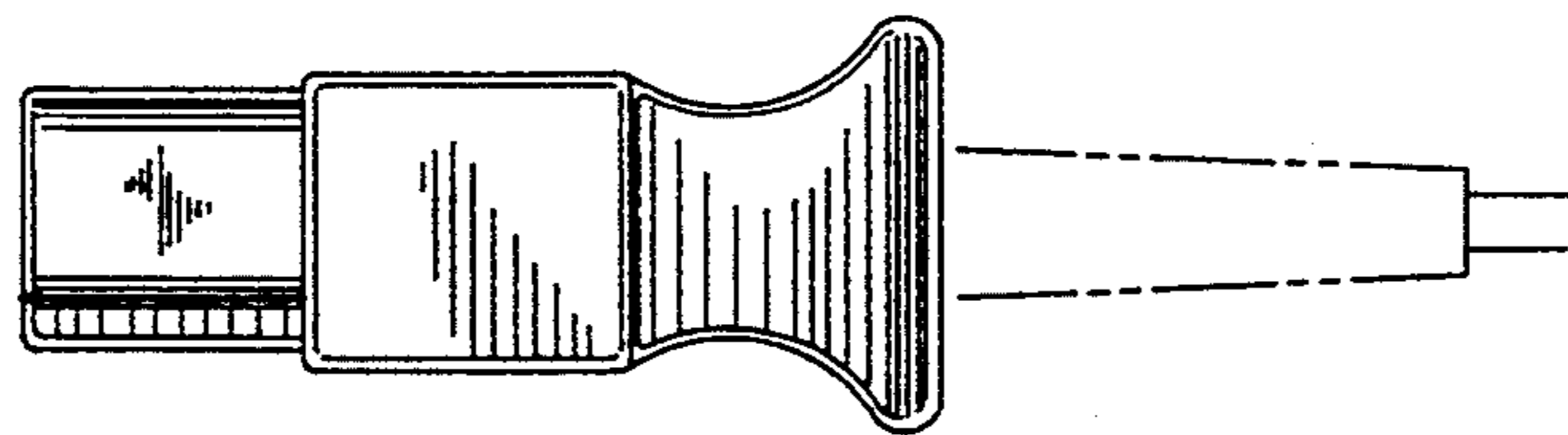


FIG. 5

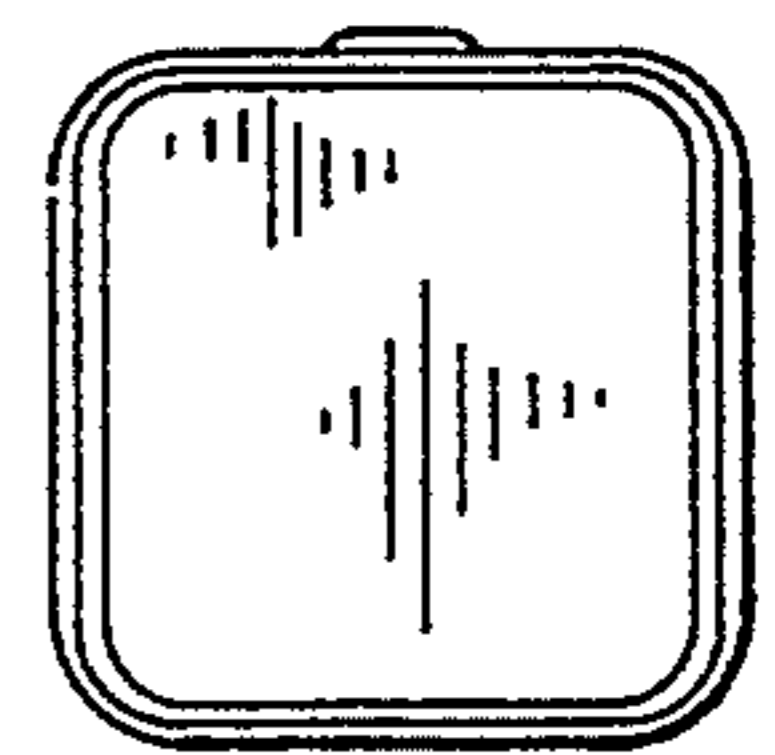


FIG. 6

