



US00D355162S

# United States Patent [19]

[11] Patent Number: **Des. 355,162**

**Karman**

[45] Date of Patent: **\*\* Feb. 7, 1995**

[54] **ELECTRIC PLUG**

[75] Inventor: **M. Gregg Karman, La Quinta, Calif.**

[73] Assignee: **Environmental Associates, Inc., Palm Desert, Calif.**

[\*\*] Term: **14 Years**

[21] Appl. No.: **15,352**

[22] Filed: **Nov. 15, 1993**

[52] U.S. Cl. .... **D13/139; D13/138**

[58] Field of Search ..... **D13/137, 138, 139, 141; 439/105, 106, 300, 483, 484, 606, 628**

[56] **References Cited**

**U.S. PATENT DOCUMENTS**

D. 88,337	10/1932	Massey	.....	D13/138
D. 92,466	4/1934	Grant	.....	D13/138
D. 117,216	7/1939	Clark, Jr.	.....	D13/138
D. 148,105	7/1946	Gossard	.....	D13/138
D. 154,700	3/1948	Neustadt	.....	D13/138
D. 155,149	9/1949	Gossard	.....	439/483 X
D. 159,196	9/1950	Englar	.....	D13/138
D. 185,163	5/1959	Miller	.....	D13/141
D. 242,464	11/1976	Acosta	.....	D13/138
D. 292,700	11/1987	Rauch	.....	D13/139
1,318,723	2/1927	Pearson	.....	439/483
1,714,763	7/1928	Boyson	.....	439/484
2,030,115	5/1929	Muldoon	.....	439/484
2,507,092	12/1944	Cline	.....	439/484
2,869,096	11/1957	Miller	.....	439/484

**FOREIGN PATENT DOCUMENTS**

155491 12/1979 Japan ..... 439/105  
1282403 7/1972 United Kingdom ..... 439/105

**OTHER PUBLICATIONS**

Surge protector BP1160V on p. 86 of *Barnett Brass & Copper, Inc.* 1987 catalog.

Plug adapters on p. M-1 of *Bryant* catalog No. BDB1504, Jun. 1987.

*Primary Examiner*—Joel Sincavage

*Attorney, Agent, or Firm*—Dennison, Meserole, Pollack & Scheiner

[57] **CLAIM**

The ornamental design for an electric plug, as shown and described.

**DESCRIPTION**

FIG. 1 is a top, rear perspective view of an electric plug showing my new design;  
FIG. 2 is a left side view thereof;  
FIG. 3 is a right side view thereof;  
FIG. 4 is a top plan view thereof;  
FIG. 5 is a bottom plan view thereof;  
FIG. 6 is a front elevation view thereof;  
FIG. 7 is a rear elevation view thereof; and,  
FIG. 8 is a top, rear perspective of an electric plug showing a second embodiment of my new design. The plan and elevational views thereof are the same as the first embodiment except for the appearance of the rear.

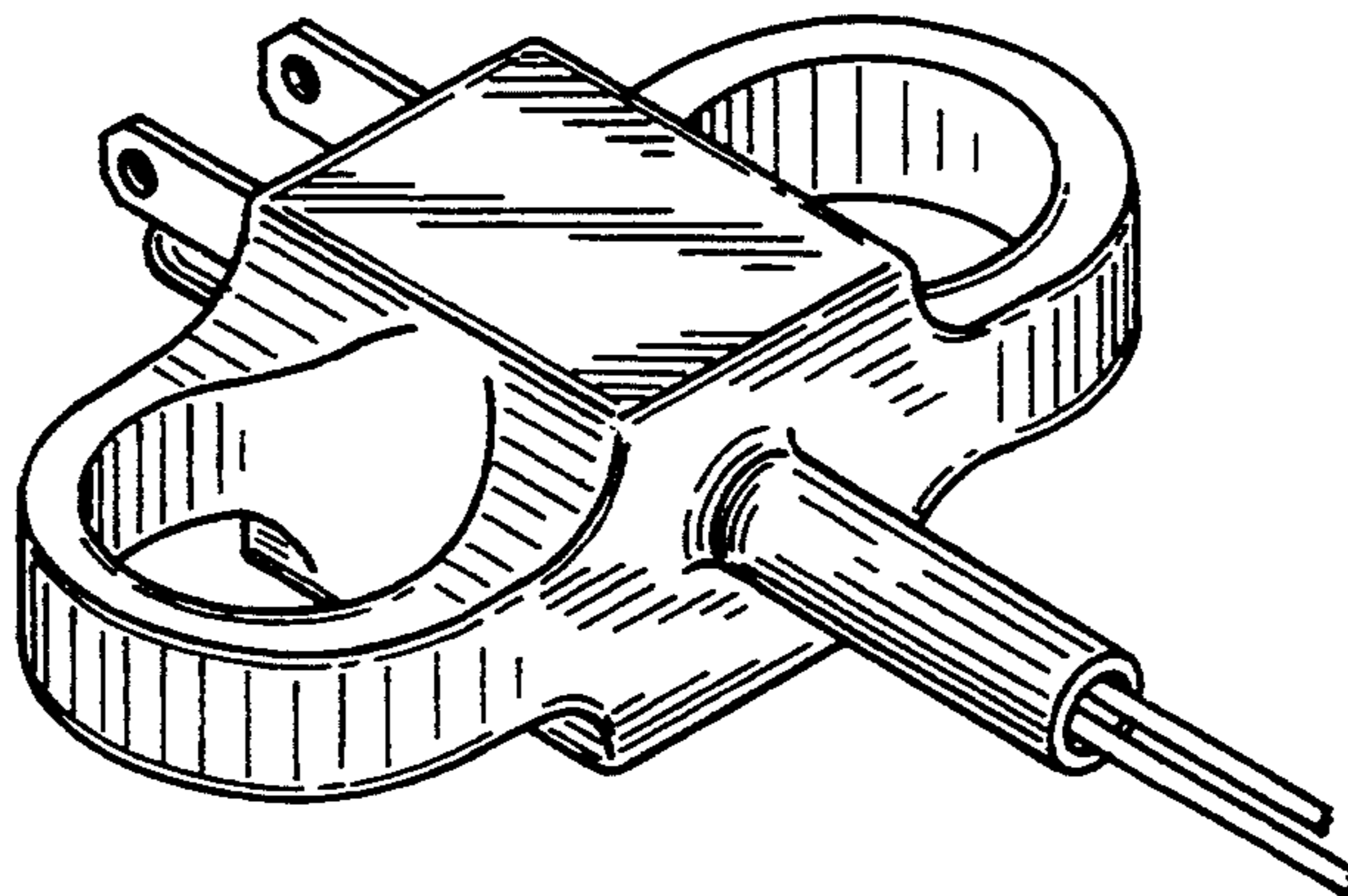
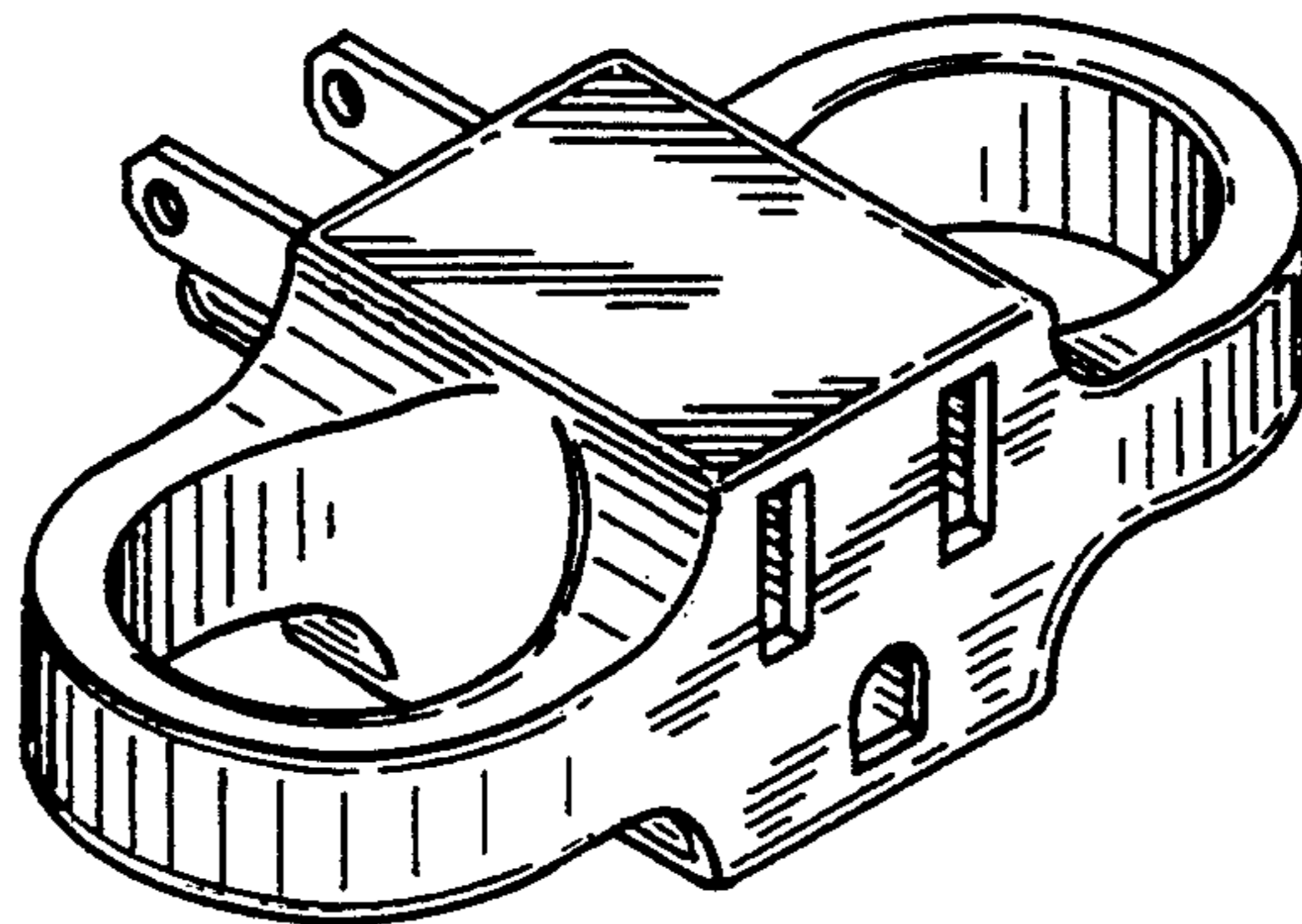


FIG. 1

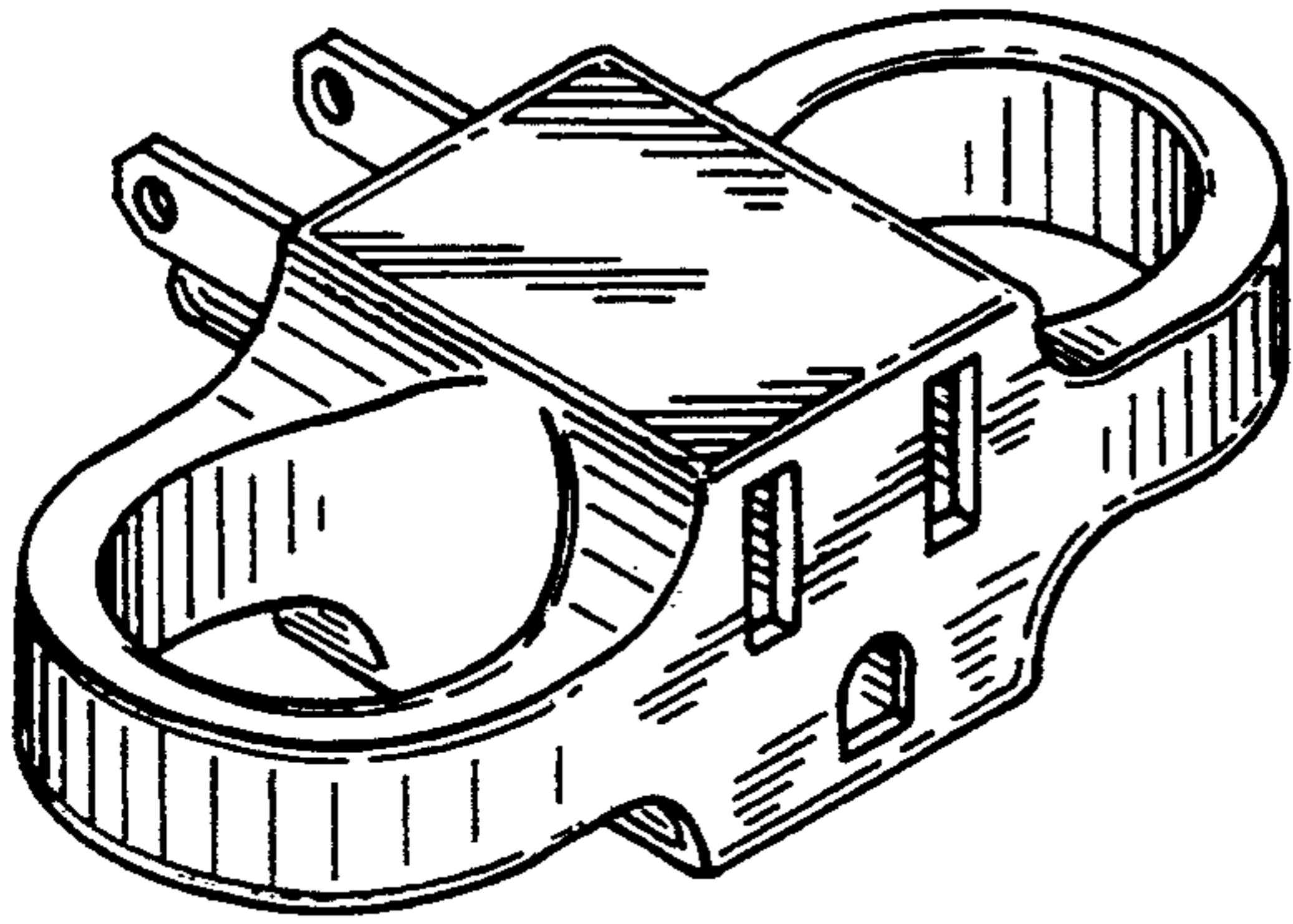


FIG. 4

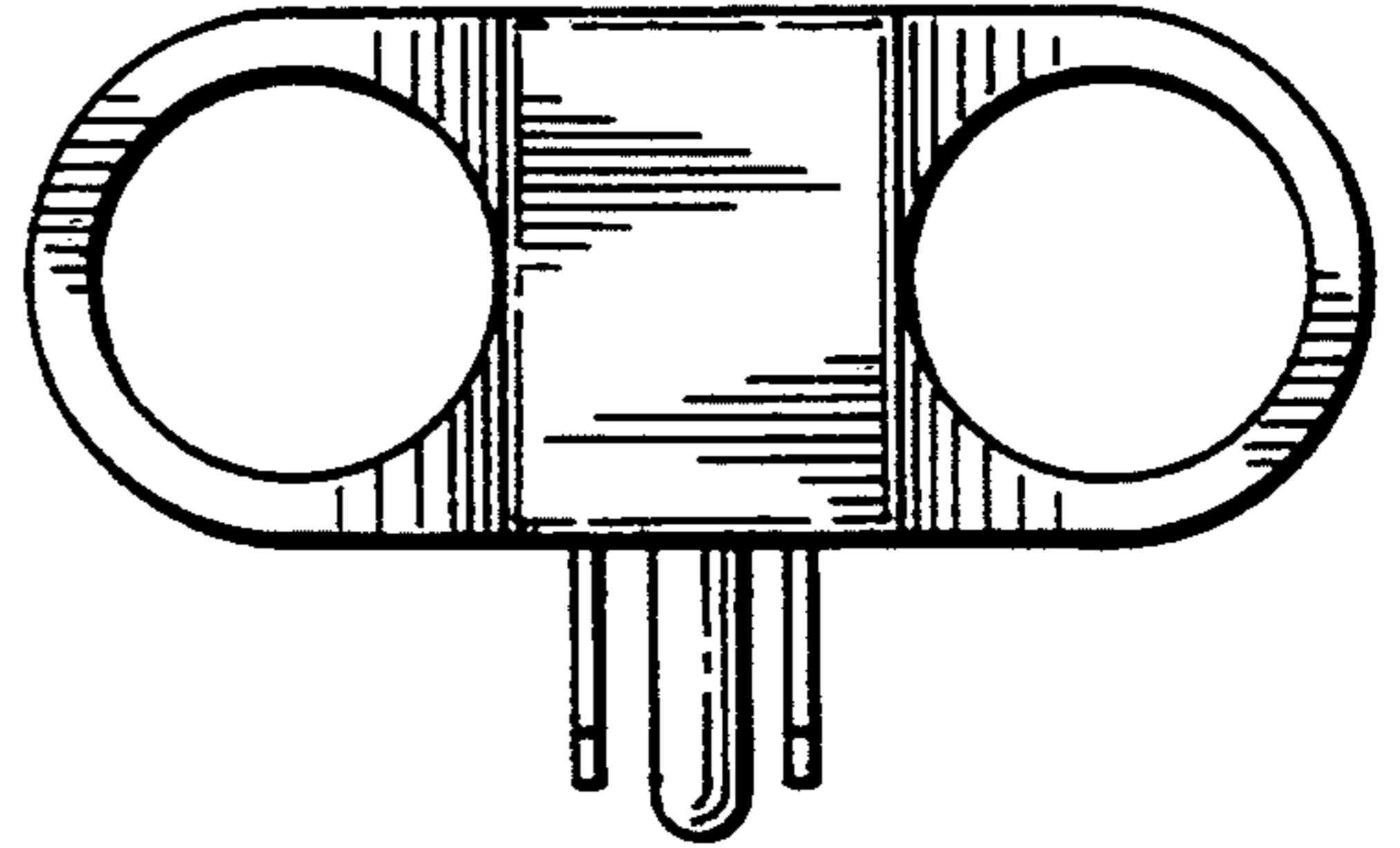


FIG. 2

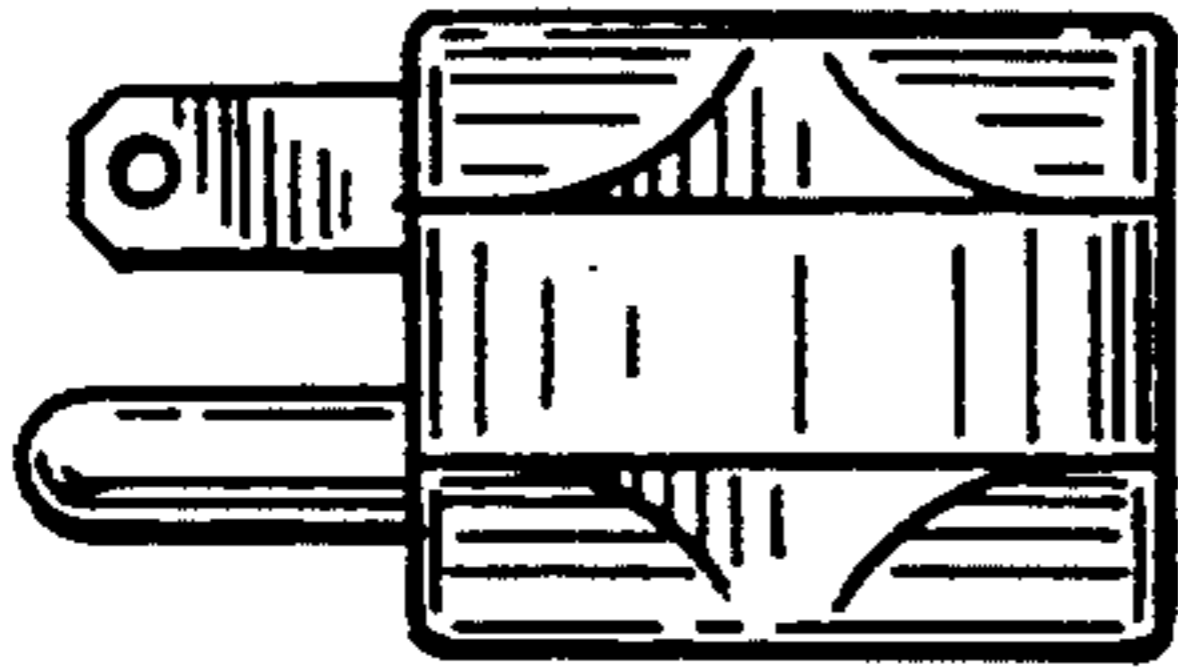


FIG. 5

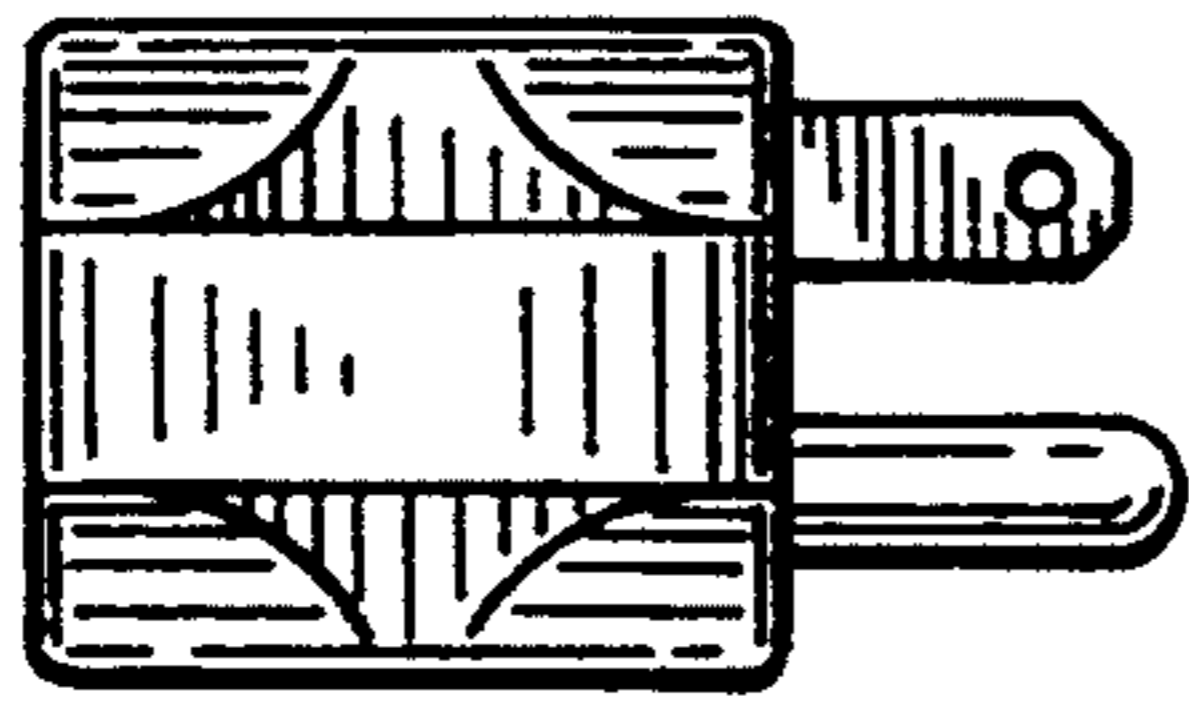
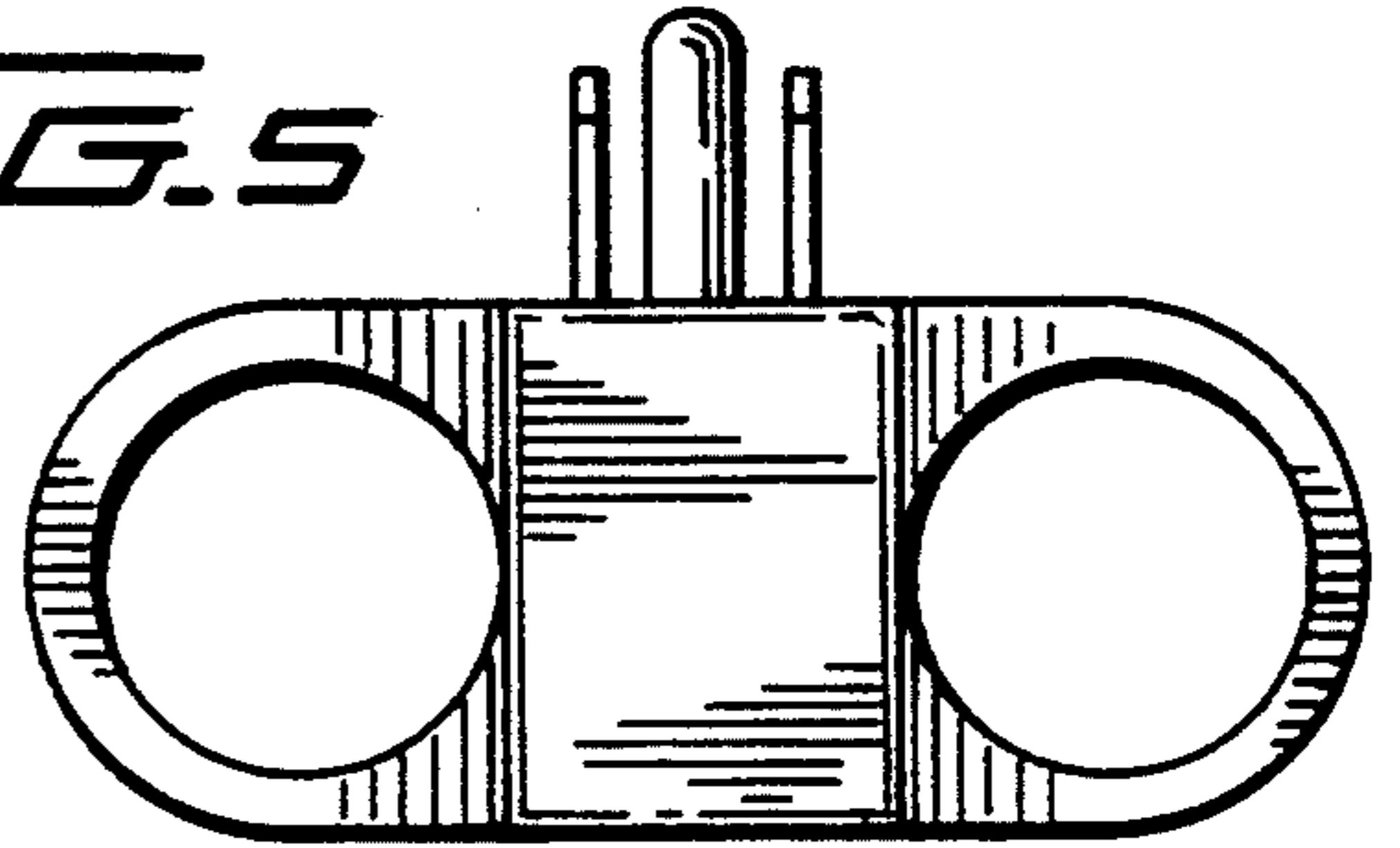


FIG. 6

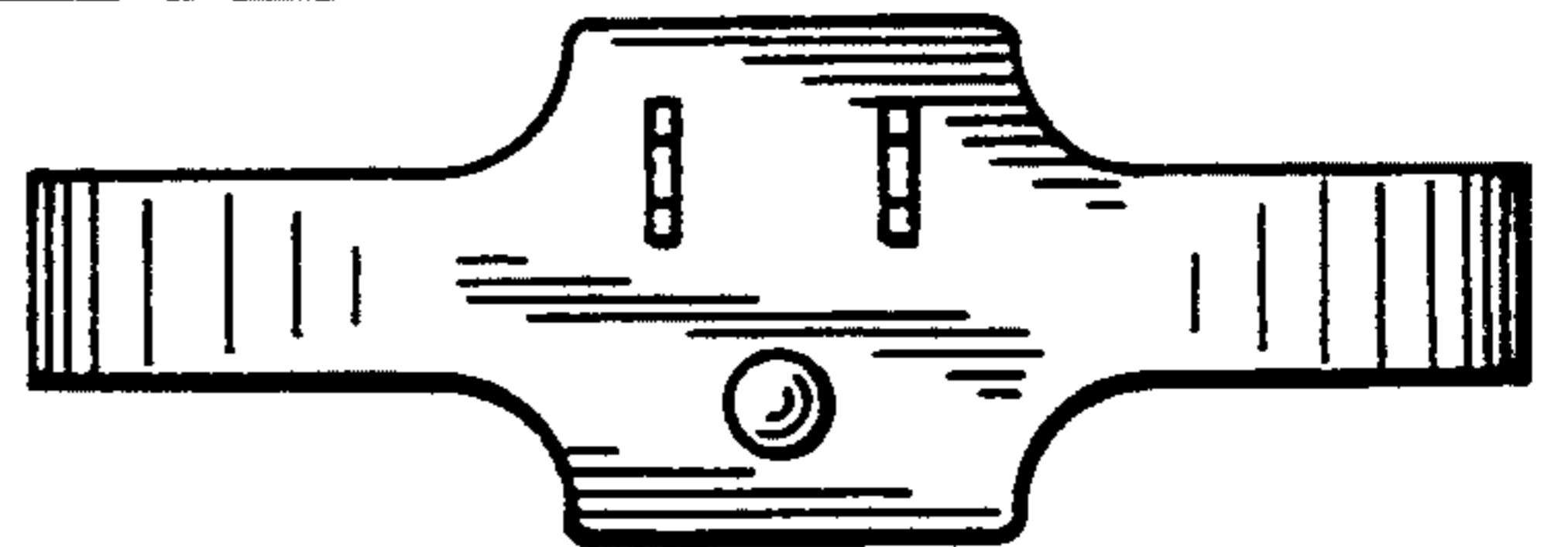


FIG. 3

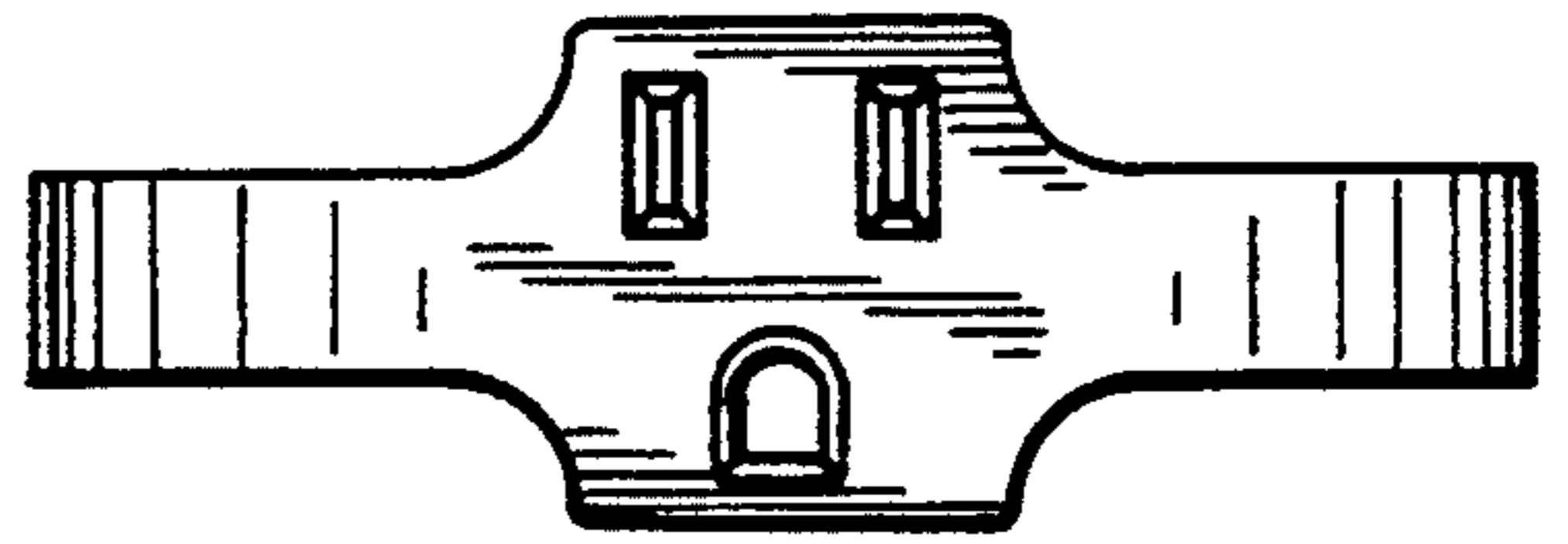


FIG. 7

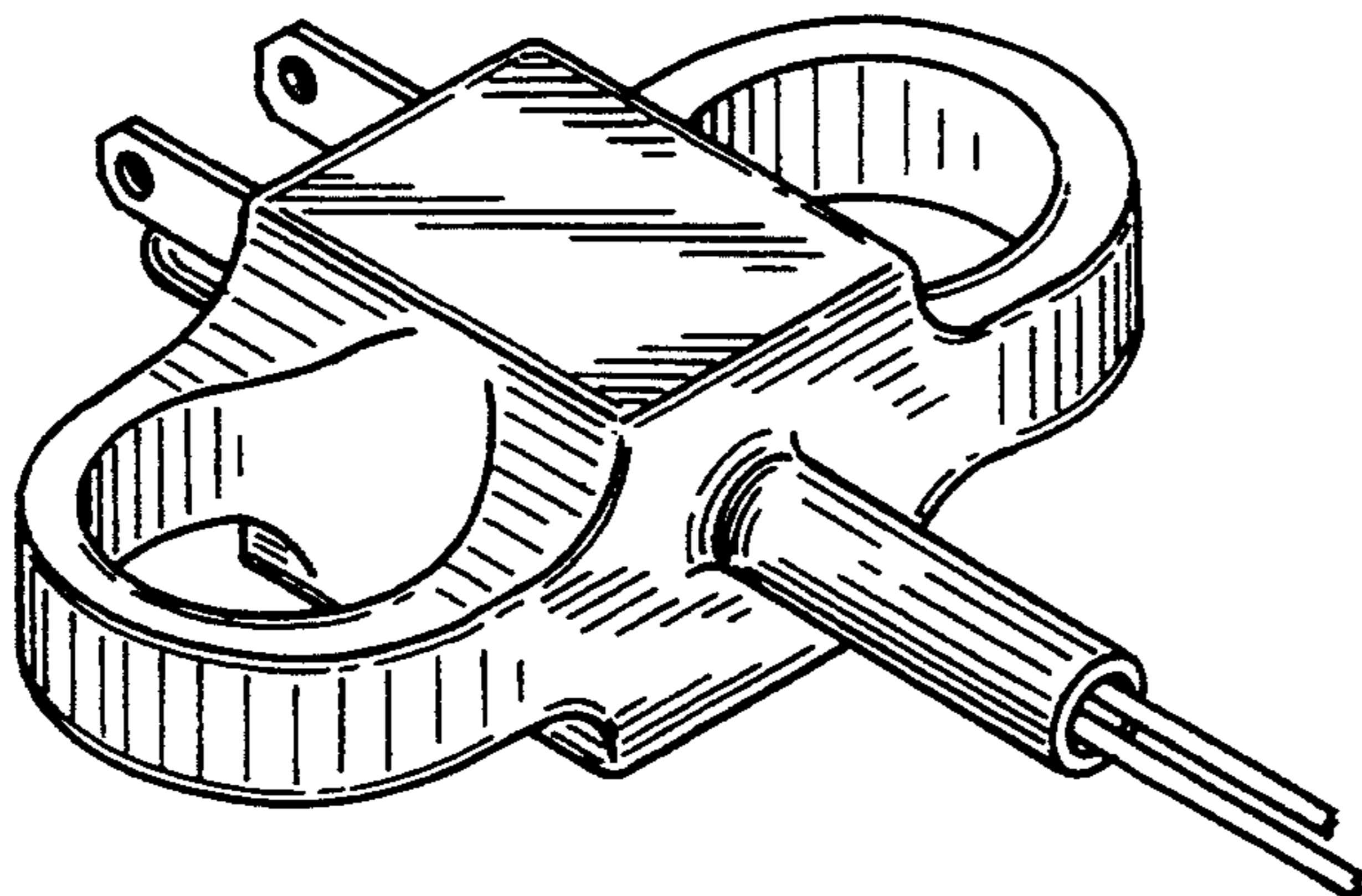


FIG. 8