



US00D355161S

United States Patent [19]

[11] Patent Number: **Des. 355,161**

Bodnar

[45] Date of Patent: **** Feb. 7, 1995**

[54] **COMBINED ELECTRICAL OUTLET AND OUTLET HOLDER**

5,052,937 10/1991 Glen 439/1220
5,114,365 5/1992 Thompson et al. D13/137 X

[76] Inventor: **Larry H. Bodnar**, 8423 Benjamin Dr.,
Huntington Beach, Calif. 92647

FOREIGN PATENT DOCUMENTS

[**] Term: **14 Years**

1306883 9/1962 France 439/120
1435160 3/1966 France 439/110
617019 2/1961 Italy 439/420
284707 3/1965 Netherlands 439/110
2067363 7/1981 United Kingdom 439/120

[21] Appl. No.: **10,487**

[22] Filed: **Jul. 9, 1993**

Primary Examiner—Joel Sincavage
Attorney, Agent, or Firm—Terry M. Gernstein

[52] U.S. Cl. **D13/146; D13/137;**
D13/143

[58] **Field of Search** D13/137, 138, 139, 143,
D13/146, 153; 439/94, 110, 115, 116, 120, 121,
209, 211, 216, 639; 174/48

[57] CLAIM

The ornamental design for a combined electrical outlet and outlet holder, as shown and described.

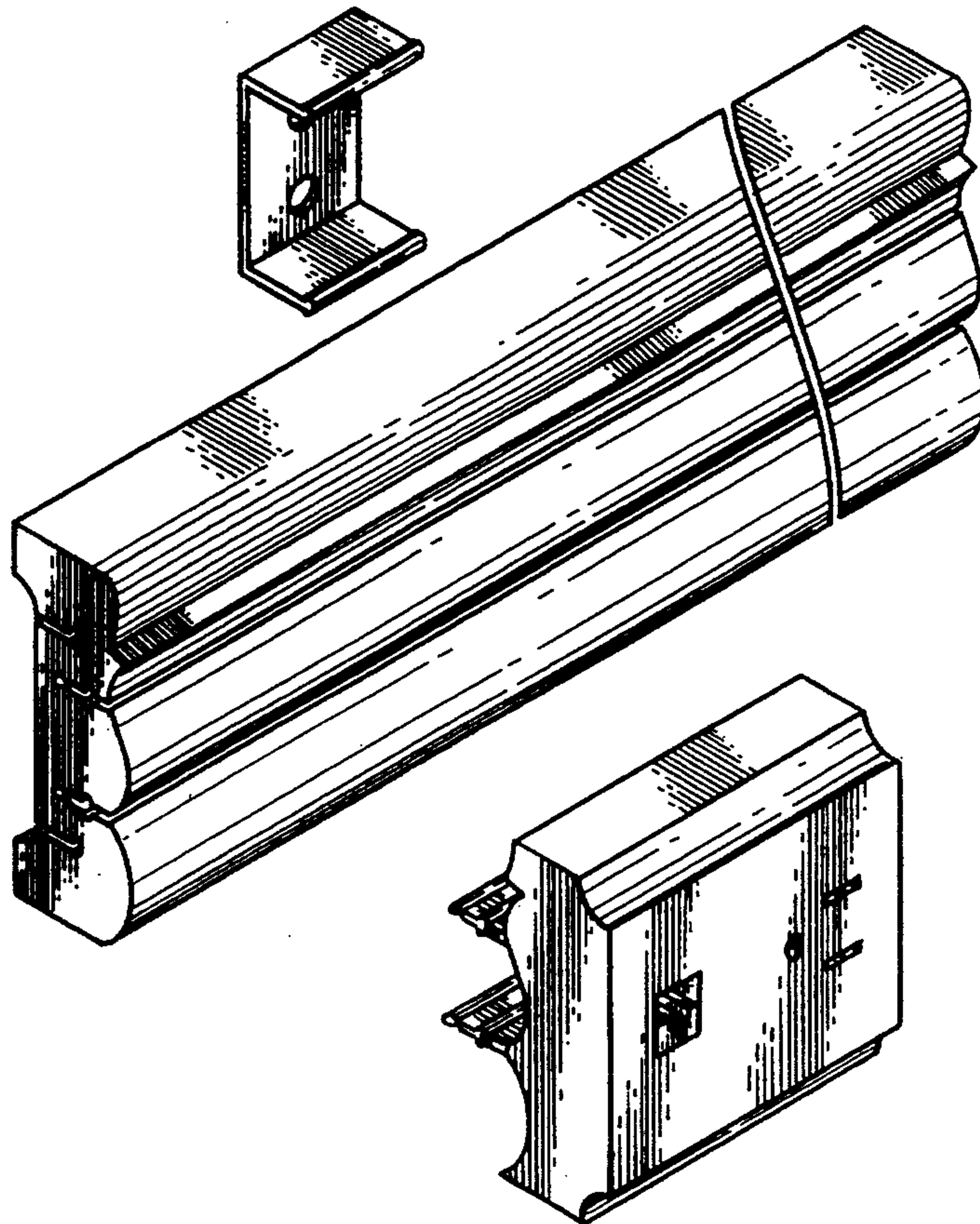
[56] References Cited

DESCRIPTION

U.S. PATENT DOCUMENTS

D. 325,562	4/1992	Smith, Sr.	D13/137
2,105,833	1/1938	Feuer et al.	439/120 X
2,108,031	2/1938	Acuff	439/120 X
2,192,899	3/1940	Edmonson	439/115
2,283,398	5/1942	Van Deventer	439/120
2,441,461	5/1948	Wayne	439/115
2,899,668	8/1959	Gribben	439/115
3,771,097	11/1973	Luxton	439/94
3,821,688	6/1974	Larsile	439/209
4,428,641	1/1984	Flachbarth	439/654
5,007,863	4/1991	Xaun	439/654
5,041,024	8/1991	Liu	439/654

FIG. 1 is a front, top and side perspective view of the combined electrical outlet and outlet holder showing my new design, the outlet holder being broken to show indeterminate length, and a support bracket being shown. The outlet, holder and bracket are shown separated for clarity;
FIG. 2 is a front elevational view thereof;
FIG. 3 is a rear elevational view thereof;
FIG. 4 is an end elevational view thereof shown in assembled condition, the end opposite being a mirror image of the end shown in FIG. 4;
FIG. 5 is a top plan view thereof; and,
FIG. 6 is a bottom plan view thereof.



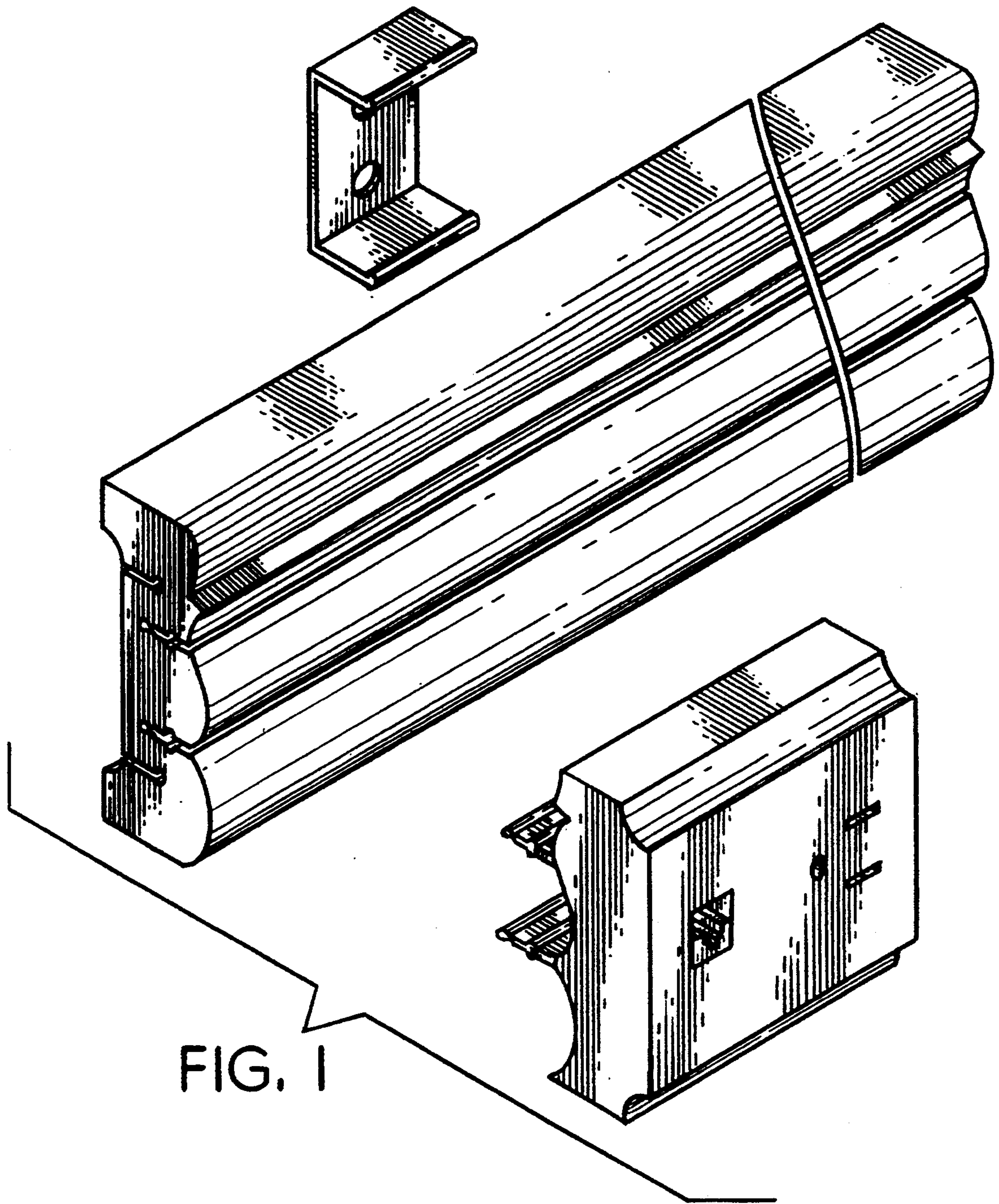


FIG. 1

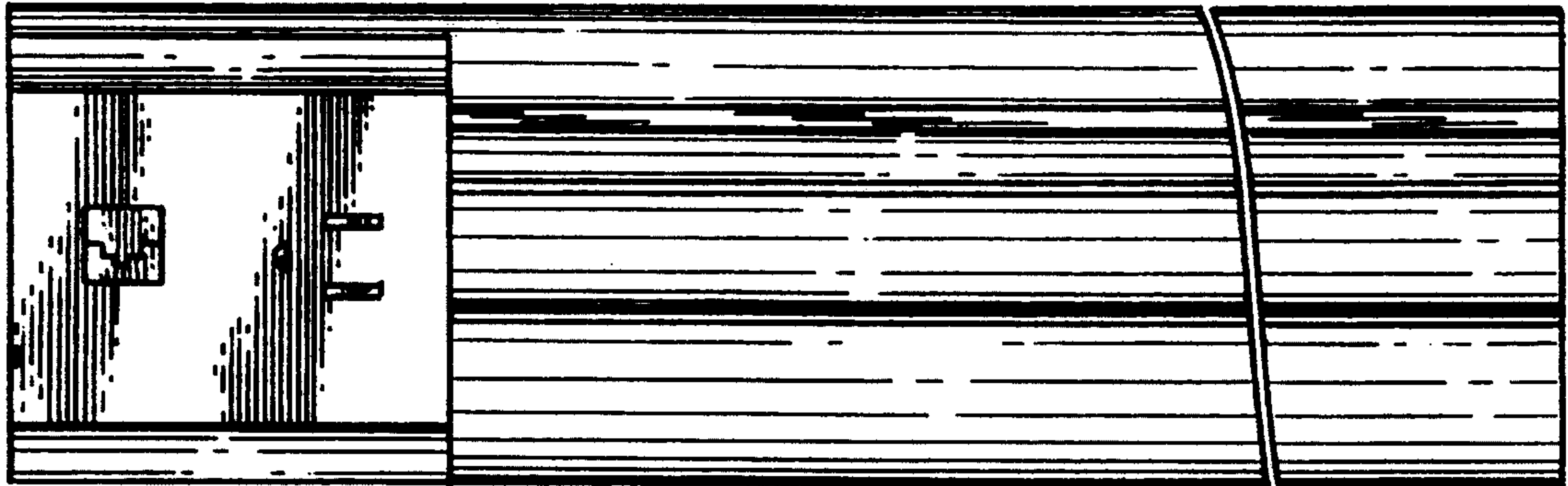
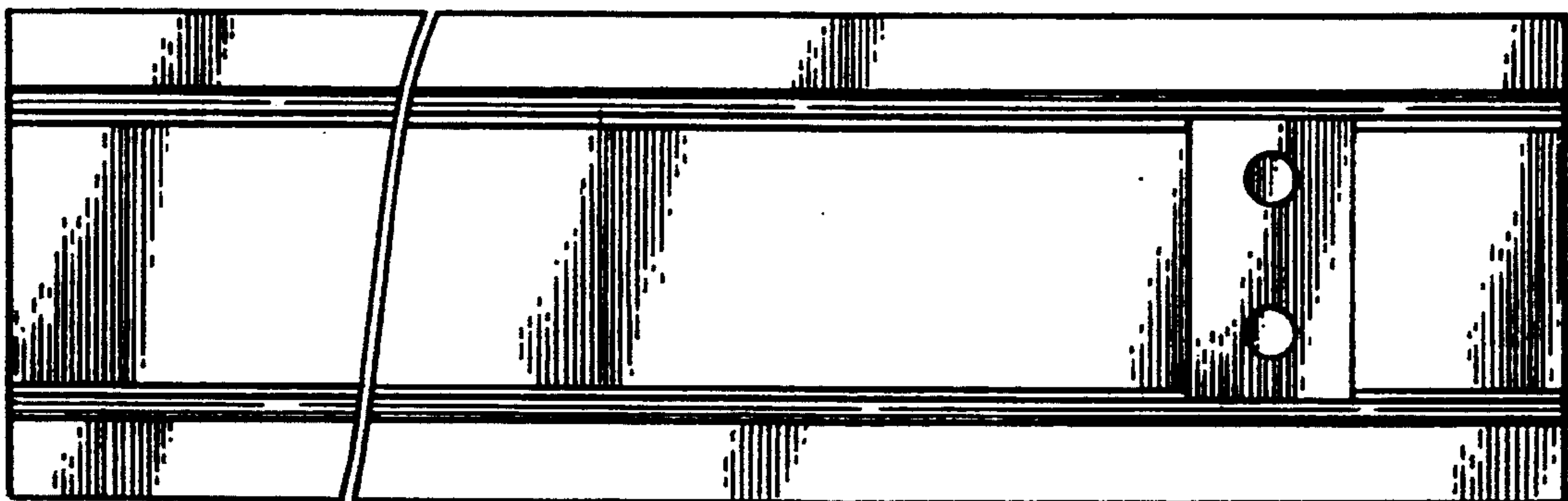


FIG. 2

FIG. 3



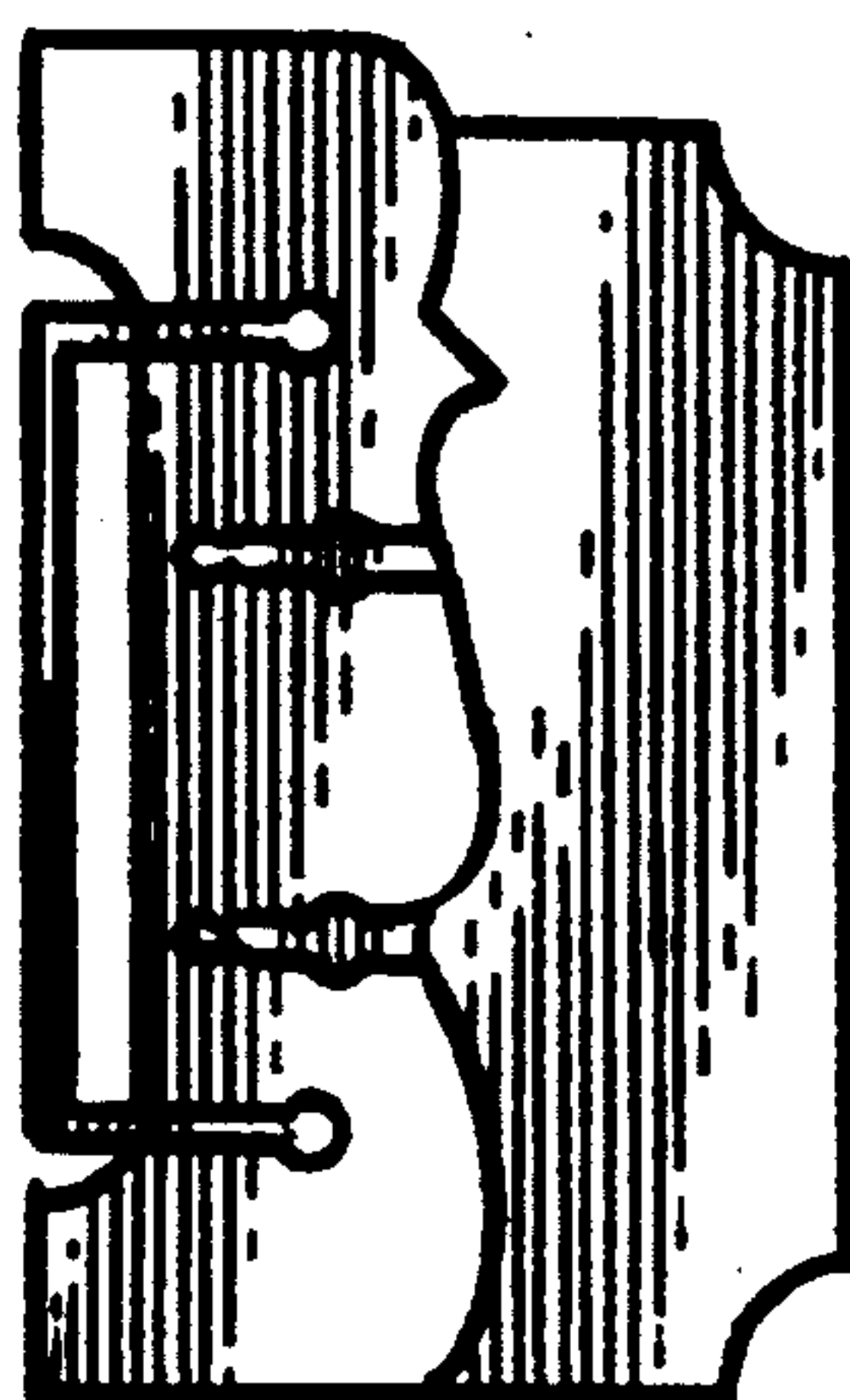


FIG. 4

FIG. 5

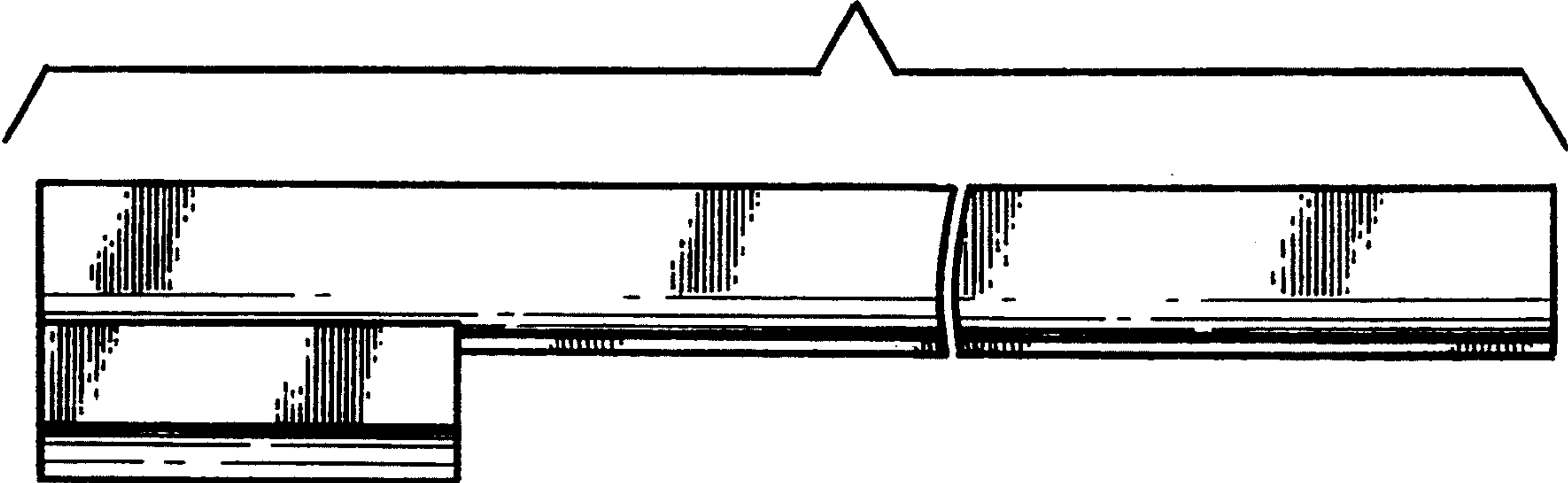


FIG. 6

