



US00D355158S

# United States Patent [19]

Alexandres et al.

[11] Patent Number: **Des. 355,158**

[45] Date of Patent: **\*\* Feb. 7, 1995**

[54] **BATTERY HOUSING FOR A COMMUNICATIONS TRANSCEIVER**

[75] Inventors: **Jon K. Alexandres; Gary J. Downs; William R. Peterson**, all of Mason City, Iowa

[73] Assignee: **Alexander Manufacturing Company**, Mason City, Iowa

[\*] Notice: The portion of the term of this patent subsequent to Jul. 26, 2007 has been disclaimed.

[\*\*] Term: **14 Years**

[21] Appl. No.: **896,568**

[22] Filed: **Jun. 9, 1992**

[52] U.S. Cl. .... **D13/103**

[58] Field of Search ..... **D13/103; D14/114, 138, D14/217; 320/2, 3, 4; 429/96, 97, 98, 99, 100, 121, 122, 123**

[56] **References Cited**

**U.S. PATENT DOCUMENTS**

D. 265,985 8/1982 House, II ..... D13/103

D. 280,322	8/1985	Velinsky .....	D14/114
D. 280,717	9/1985	Schied et al. ....	D13/103
D. 283,888	5/1986	Claxton et al. ....	D13/103
D. 289,044	3/1987	Watanabe .....	D14/138
D. 295,511	5/1988	Scheid et al. ....	D14/138 X
D. 299,226	1/1989	Toth et al. ....	D13/103
D. 329,649	9/1992	Stamps, Jr. et al. ....	D13/103 X
4,714,439	12/1987	Marabotto et al. ....	429/121 X
5,189,400	2/1993	Schultz .....	429/97 X

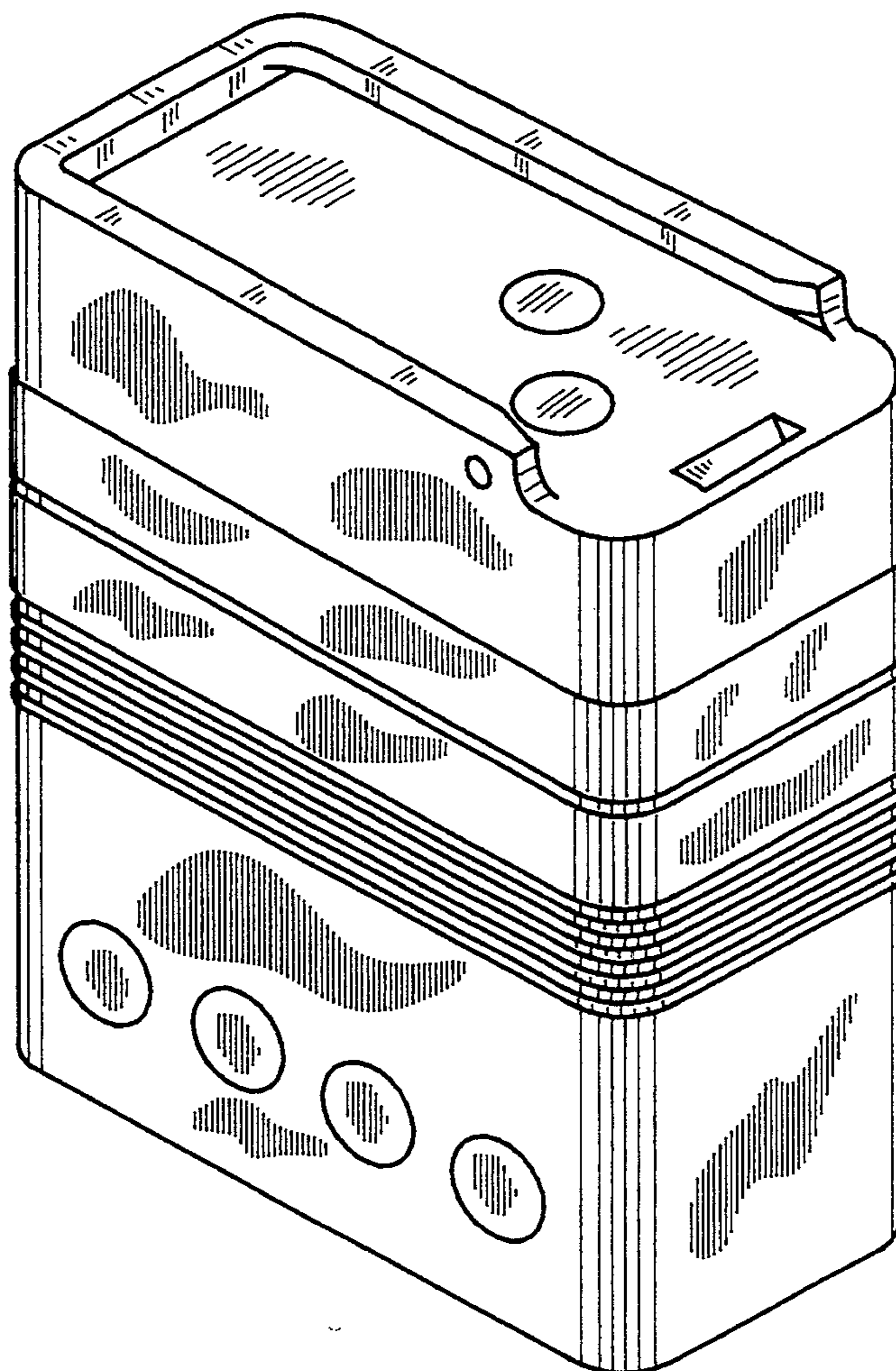
*Primary Examiner*—Joel Sincavage  
*Attorney, Agent, or Firm*—Hugh D. Jaeger

[57] **CLAIM**

The ornamental design for a battery housing for a communications transceiver, as shown.

**DESCRIPTION**

FIG. 1 illustrates a front view of an battery housing for a communications transceiver our new design; FIG. 2 illustrates a right side view thereof; FIG. 3 illustrates a left side view thereof; FIG. 4 illustrates a top view thereof; FIG. 5 illustrates a bottom view thereof; FIG. 6 illustrates a back view thereof; and, FIG. 7 illustrates a perspective view thereof.



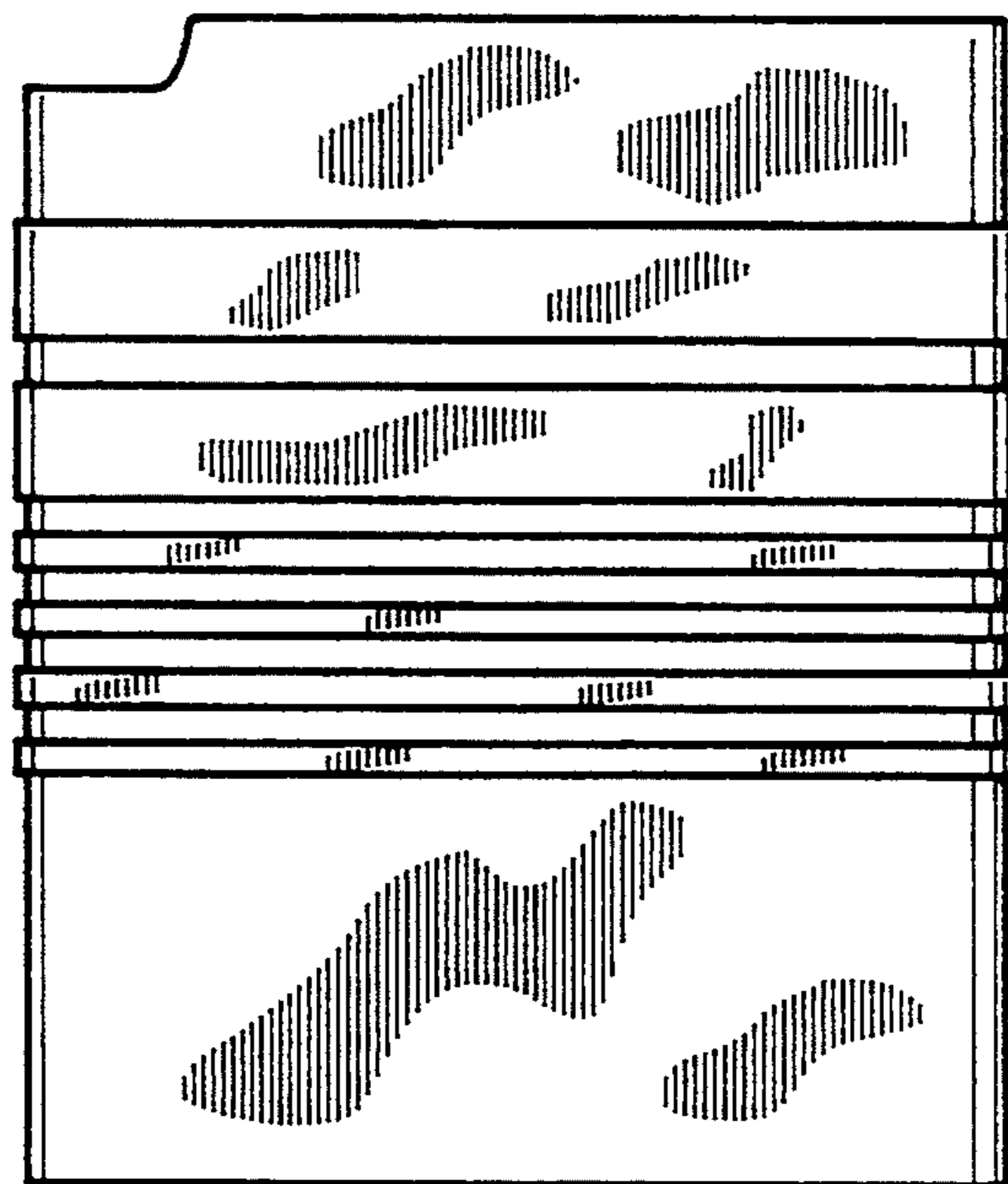
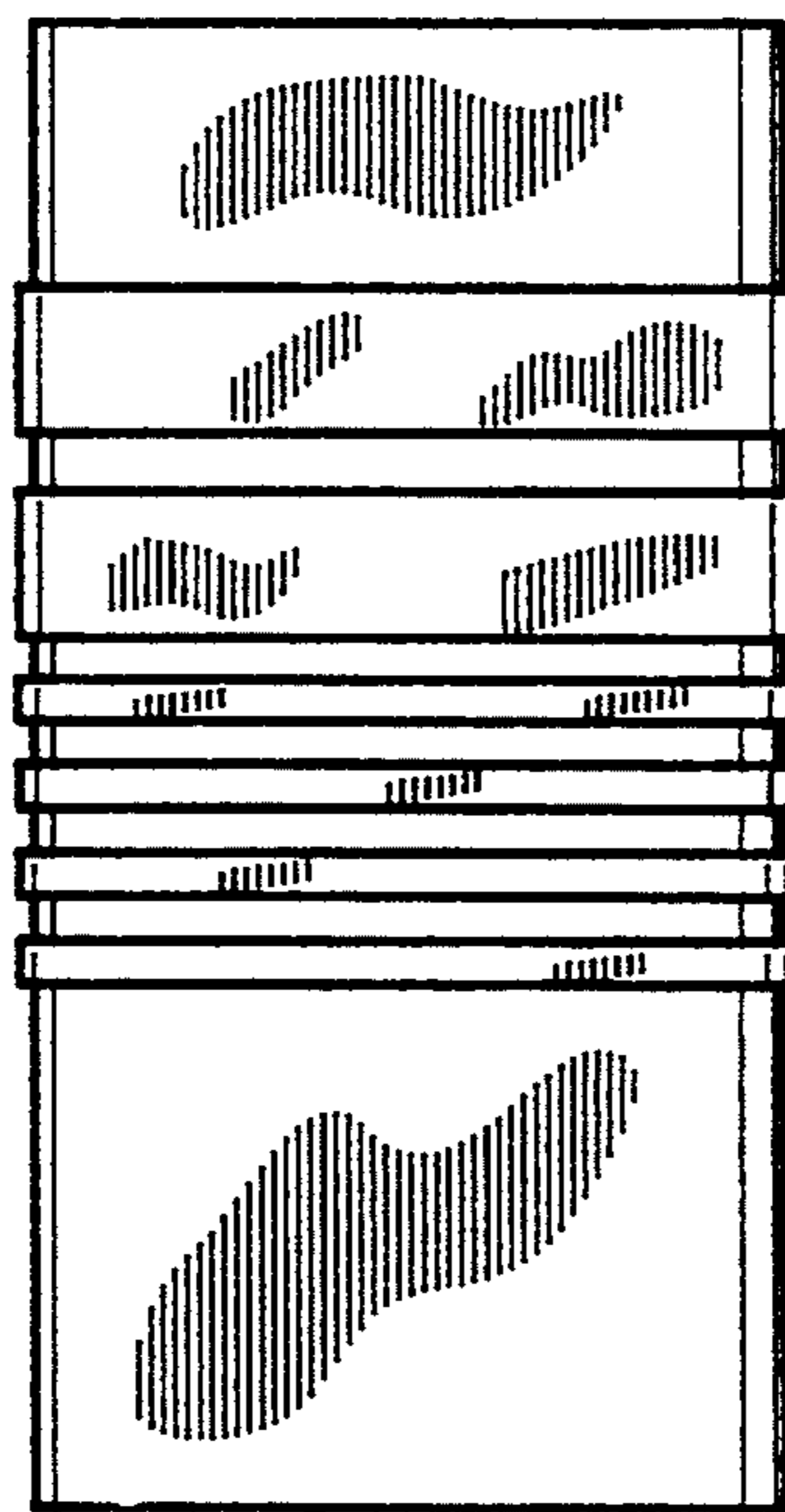


FIG. 1



**FIG. 2**

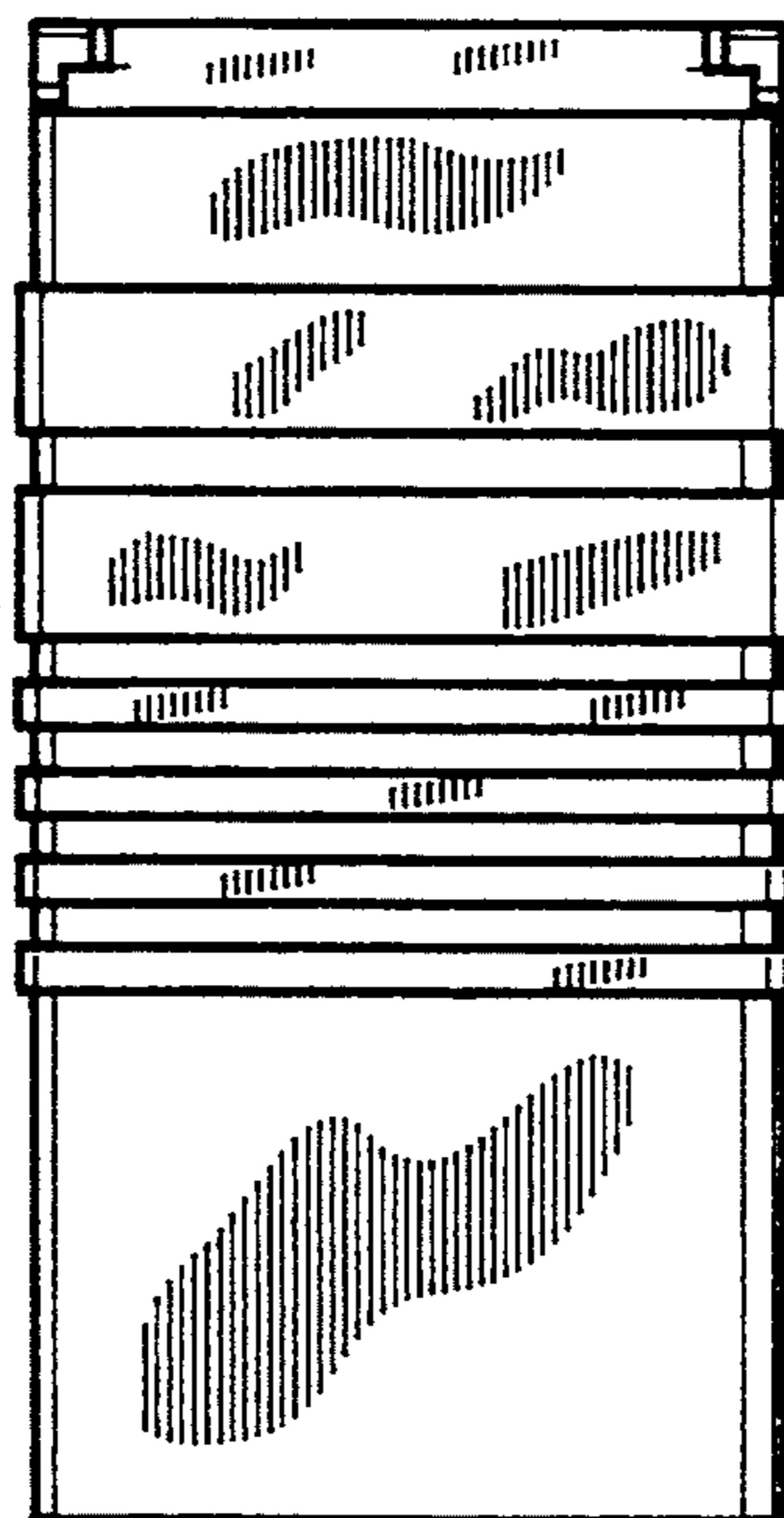
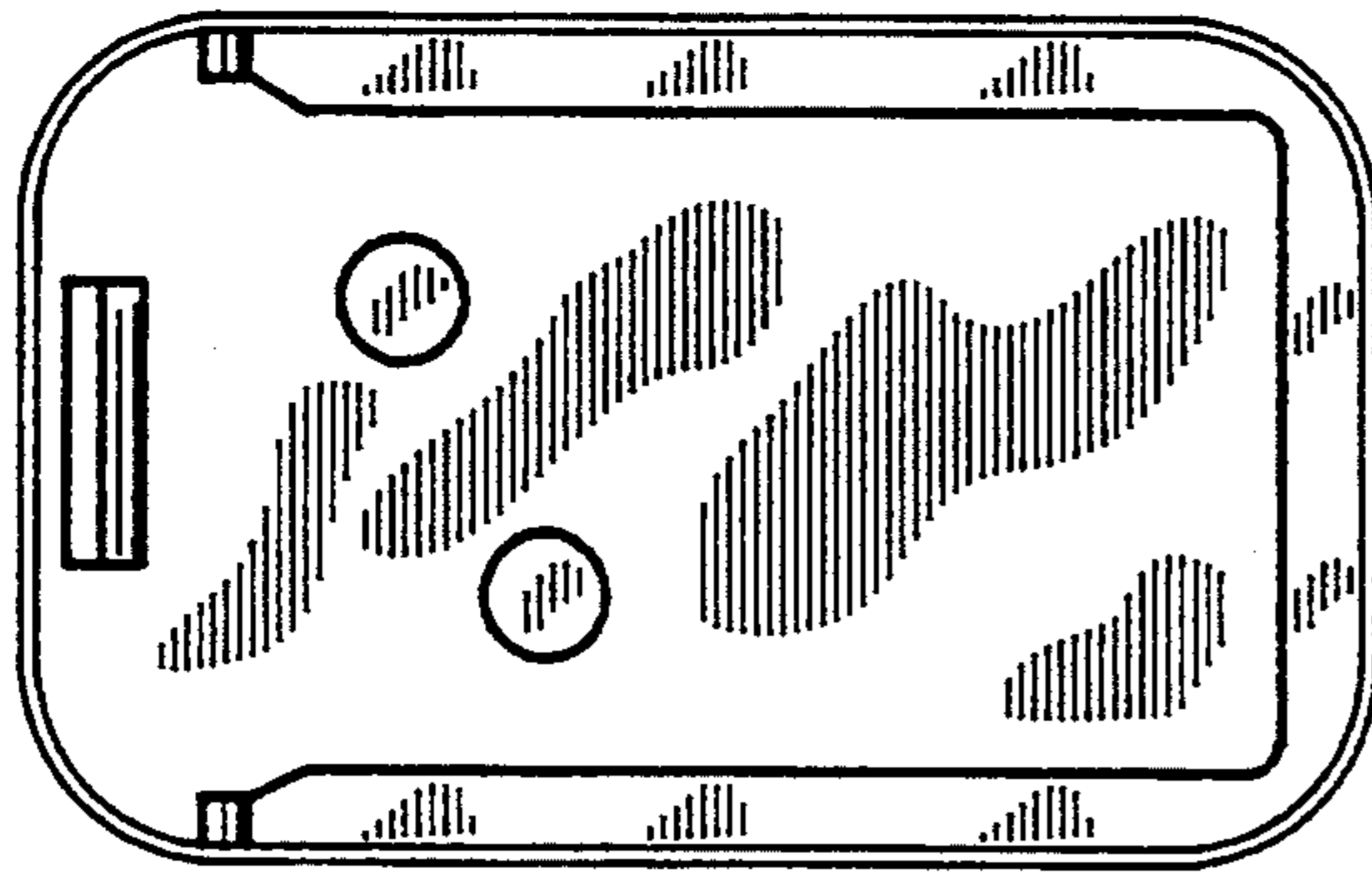
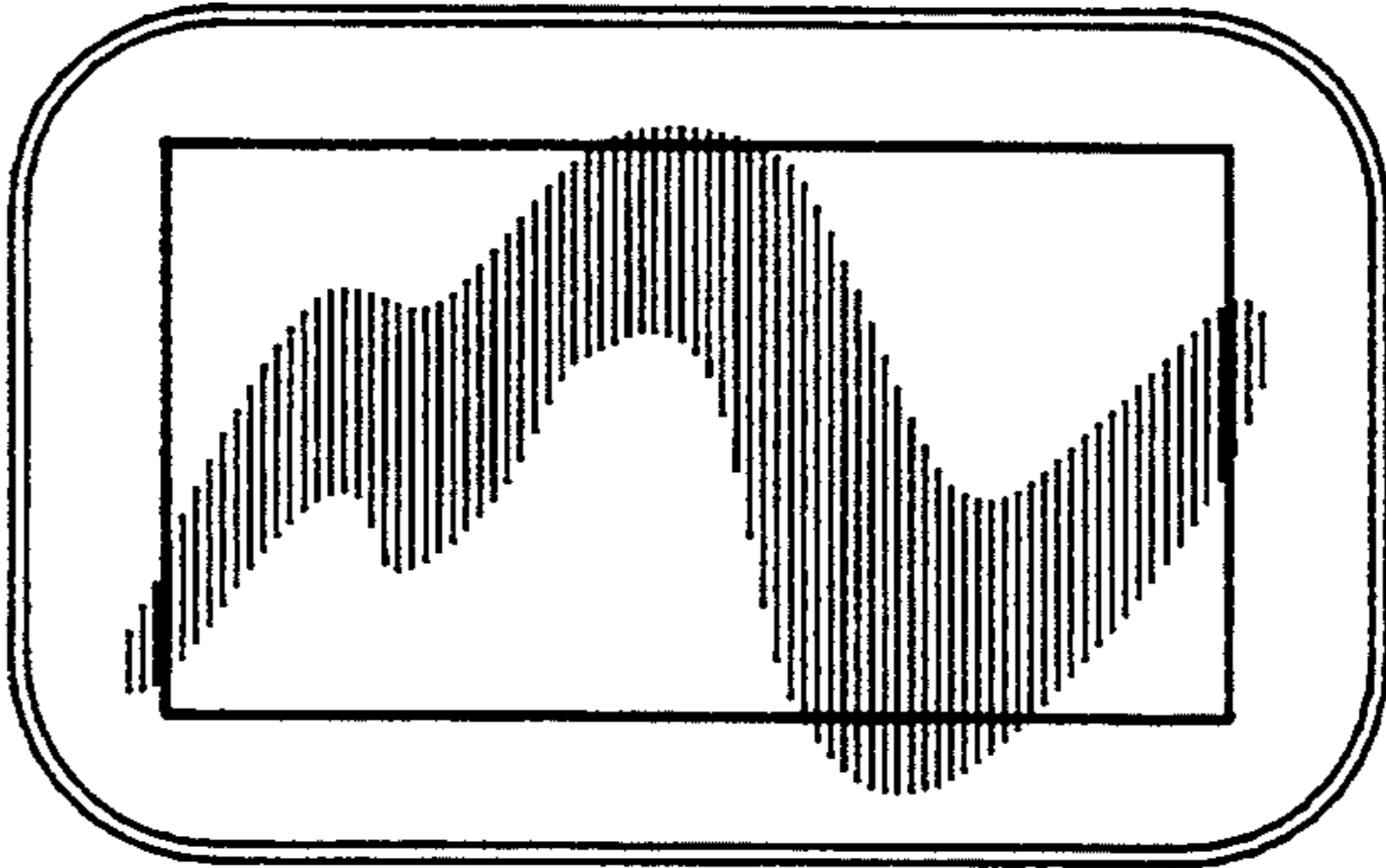


FIG. 3



**FIG. 4**



**FIG. 5**

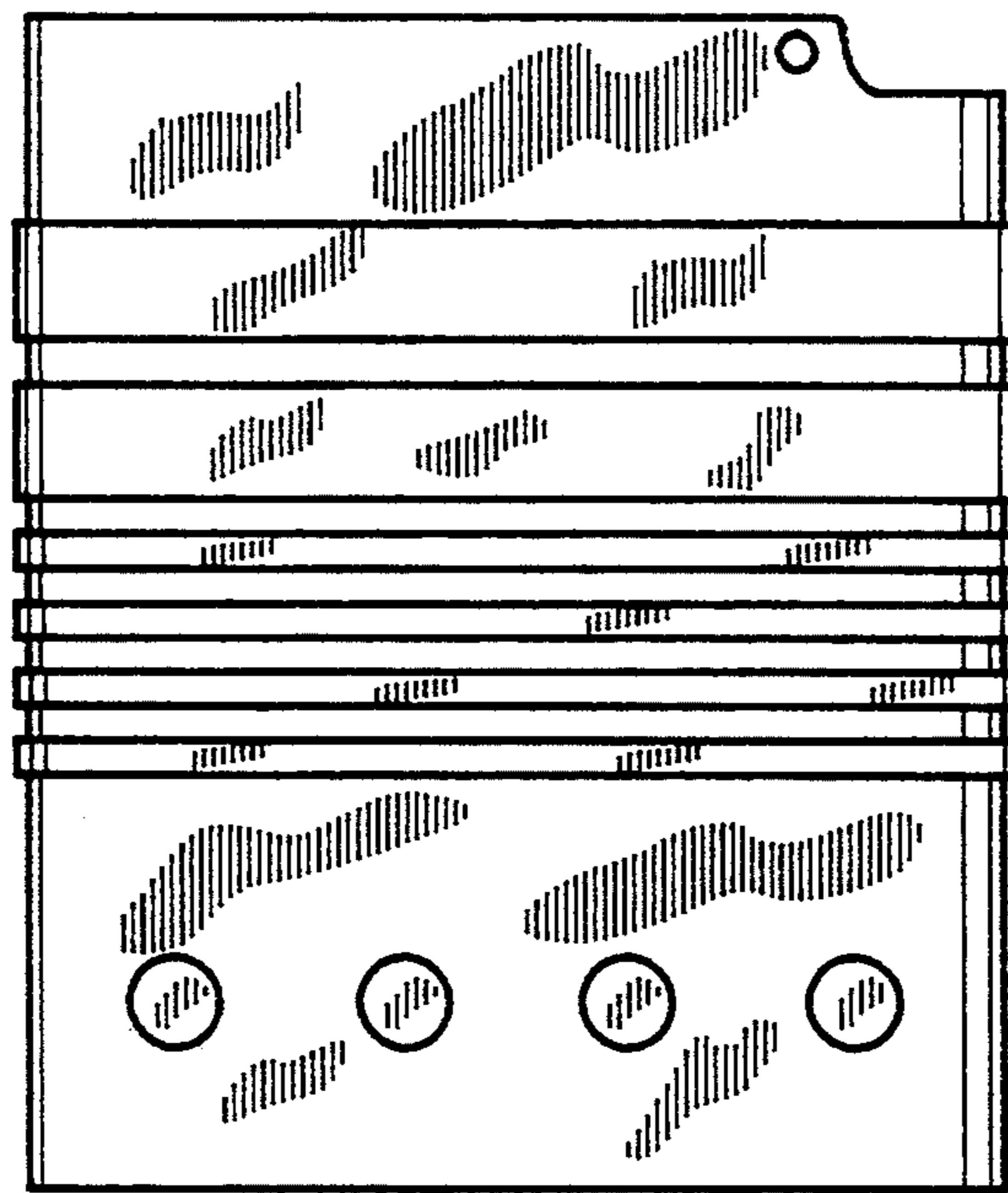


FIG. 6



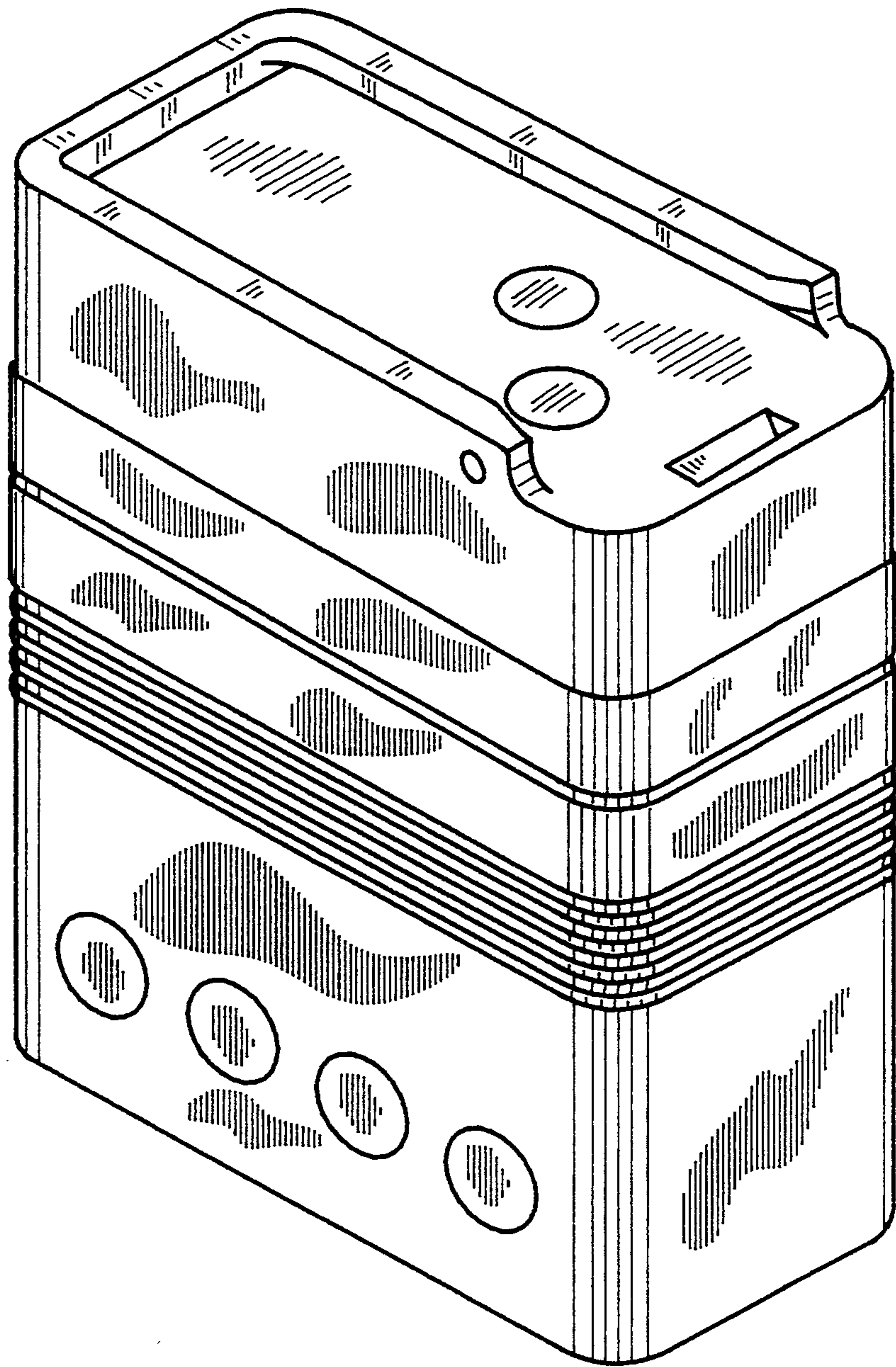


FIG. 7