



US00D355156S

# United States Patent [19]

[11] Patent Number: **Des. 355,156**

**Davis**

[45] Date of Patent: **\*\* Feb. 7, 1995**

[54] **MOTOR VEHICLE GRILLE**

[75] Inventor: **Herschel W. Davis**, Altamonte Springs, Fla.

[73] Assignee: **Wheeled Coach Industries, Inc.**, Winter Park, Fla.

[\*\*] Term: **14 Years**

[21] Appl. No.: **8,408**

[22] Filed: **May 14, 1993**

[52] U.S. Cl. .... **D12/163**

[58] Field of Search ..... **D12/163, 164, 170; 180/68.6; 296/194**

[56] **References Cited**

**U.S. PATENT DOCUMENTS**

- D. 289,515 4/1987 Wood, Jr. .... D12/163
- D. 298,426 11/1988 Kikuchi ..... D12/163
- 5,188,445 2/1993 Haun et al. .... 296/194

*Primary Examiner*—James M. Gandy  
*Attorney, Agent, or Firm*—Don M. Bradley

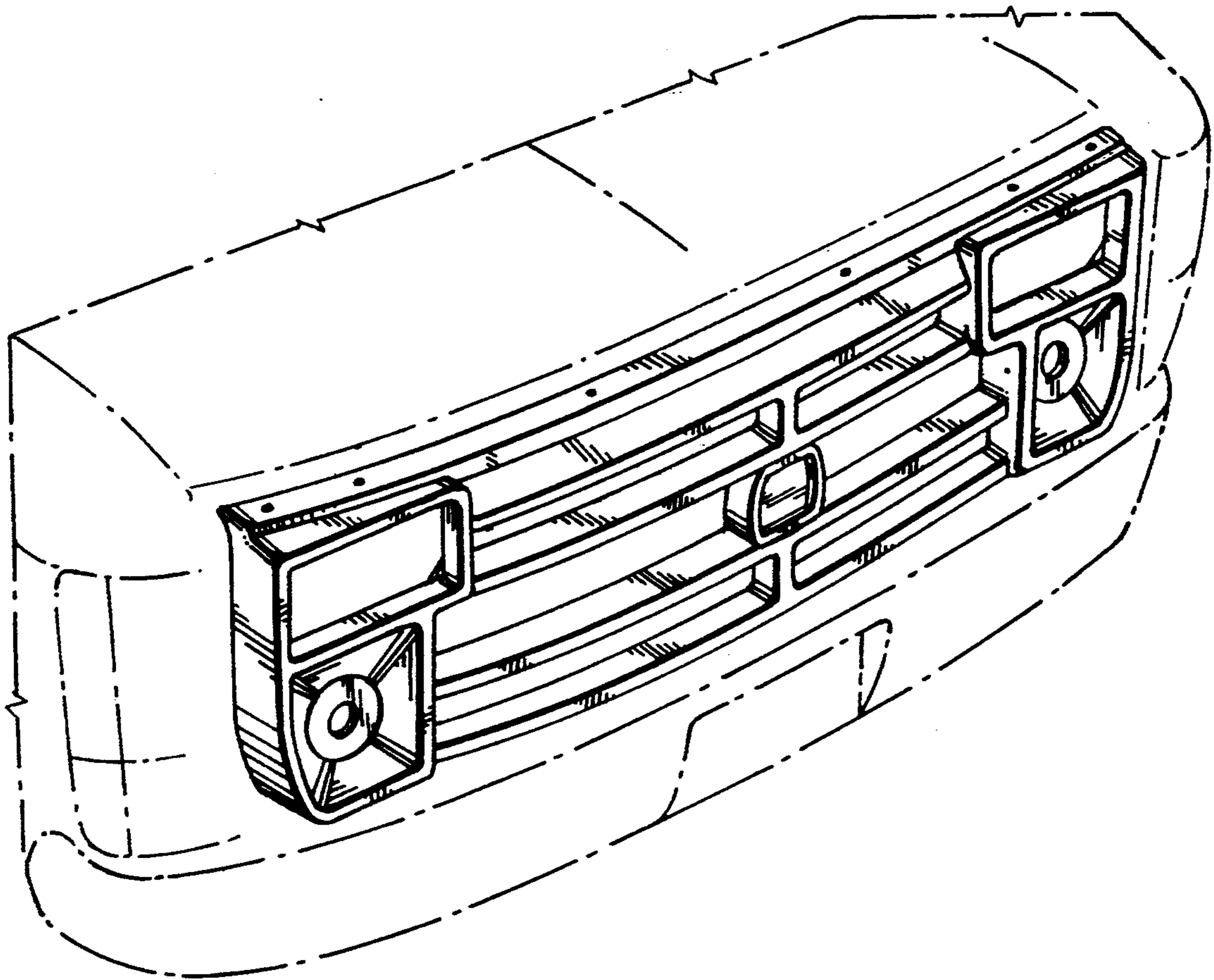
[57] **CLAIM**

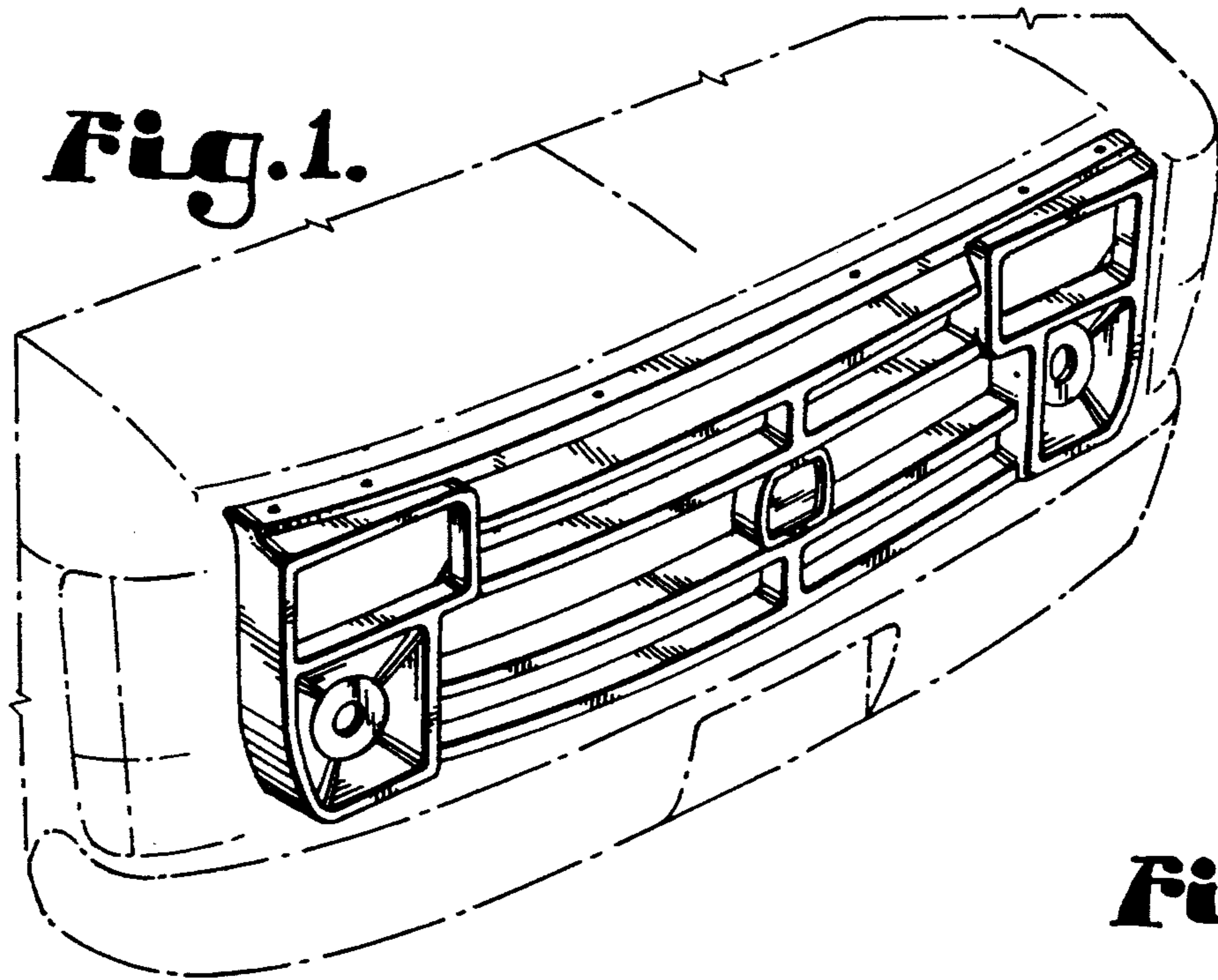
The ornamental design for a motor vehicle grille, as shown and described.

**DESCRIPTION**

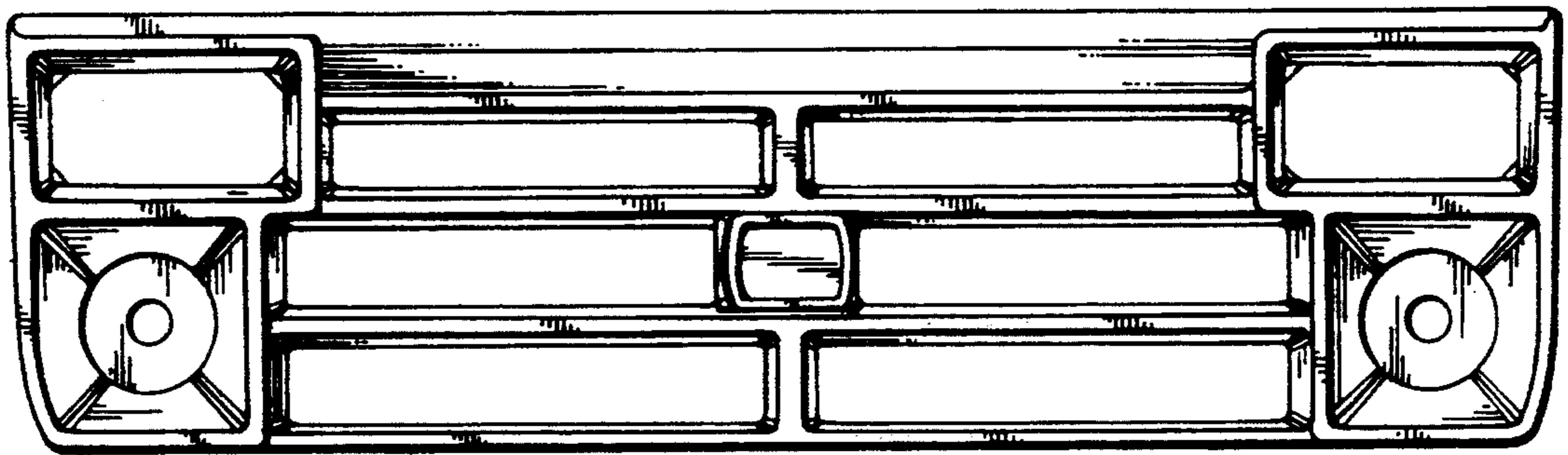
FIG. 1 is a top, front perspective view of the motor vehicle grille showing my new design;  
 FIG. 2 is a front elevation view of the motor vehicle grille shown in FIG. 1;  
 FIG. 3 is a rear elevation view thereof;  
 FIG. 4 is a top plan view thereof;  
 FIG. 5 is a bottom plan view thereof; and,  
 FIG. 6 is an end elevation view thereof, the opposite end being a mirror image.

The phantom line showing of a motor vehicle in FIG. 1 is for illustrative purposes only and forms no part of the claimed design.

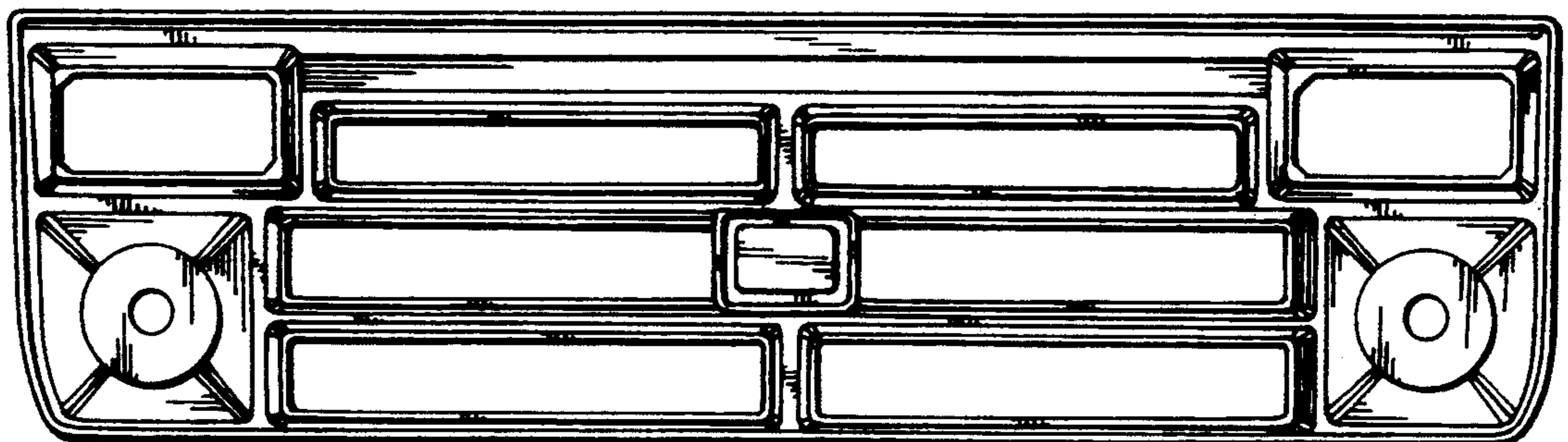




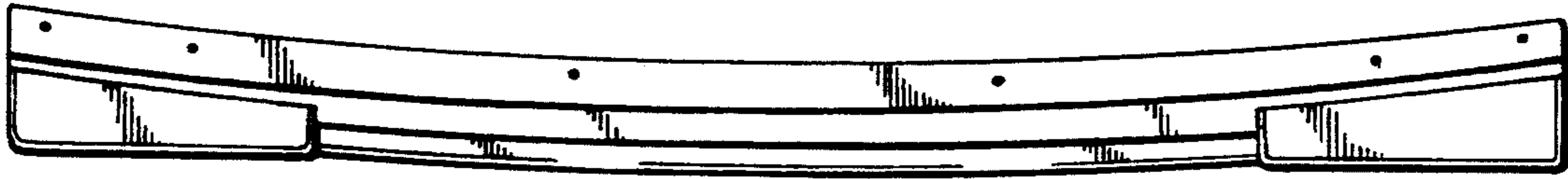
**Fig. 2.**



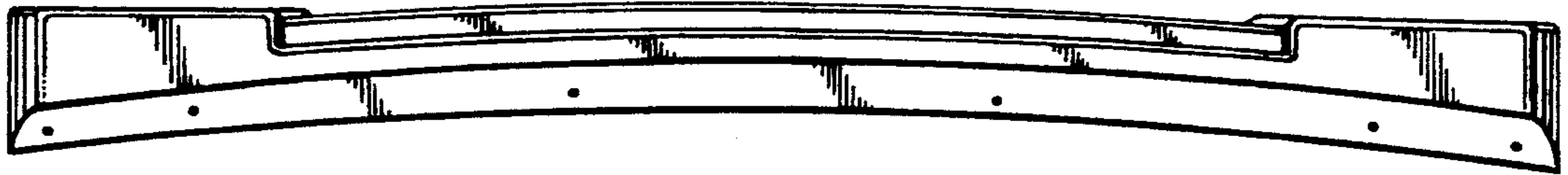
**Fig. 3.**



*Fig. 4.*



*Fig. 5.*



*Fig. 6.*

