



US00D355154S

United States Patent [19]

[11] Patent Number: **Des. 355,154**

Croyle et al.

[45] Date of Patent: **** Feb. 7, 1995**

[54] **TIRE TREAD**

[75] Inventors: **Warren L. Croyle, Wadsworth; Douglas A. Swift, Hudson; John J. Taube, Tallmadge, all of Ohio**

[73] Assignee: **The Goodyear Tire & Rubber Company, Akron, Ohio**

[**] Term: **14 Years**

[21] Appl. No.: **5,768**

[22] Filed: **Mar. 11, 1993**

[52] U.S. Cl. **D12/147**

[58] Field of Search **D12/136, 145-151; 152/209 R, 209 A, 209 B, 209 D**

[56] **References Cited**

U.S. PATENT DOCUMENTS

- D. 329,412 9/1992 Maxwell et al. D12/147
- 4,953,604 9/1990 Shepler et al. 152/209 A
- 5,002,109 3/1991 Shepler et al. D12/146

Primary Examiner—James M. Gandy
Attorney, Agent, or Firm—T. P. Lewandowski

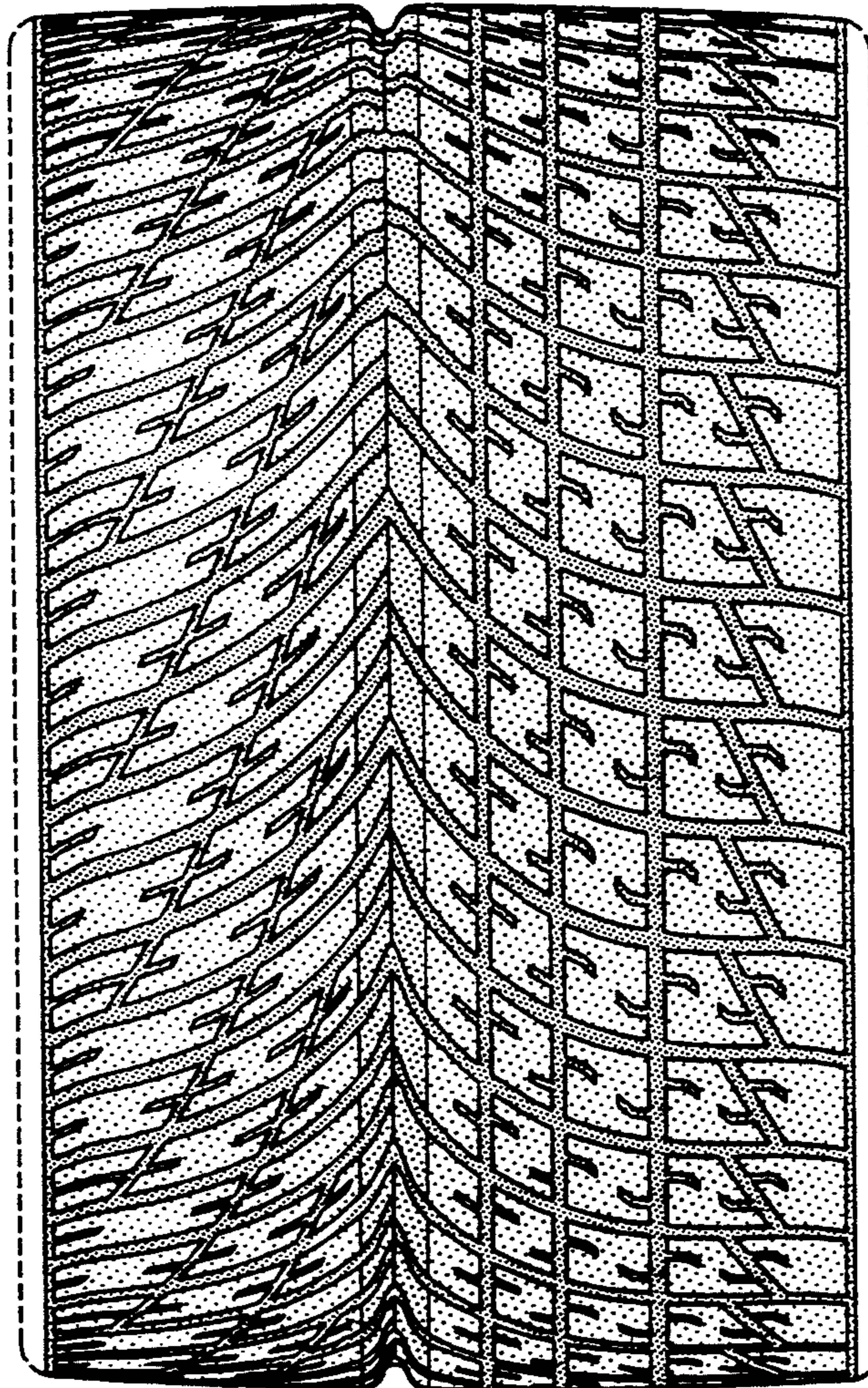
[57] **CLAIM**

The ornamental design for a tire tread, as shown and described.

DESCRIPTION

FIG. 1 is a front elevational view of a tire tread showing our new design, it being understood that the pattern is repeated throughout the circumference thereof; FIG. 2 is a right perspective view thereof; FIG. 3 is a left perspective view thereof; FIG. 4 is a right side elevational view thereof; FIG. 5 is a left side elevational view thereof; and, FIG. 6 is an enlarged fragmentary front elevational view thereof.

In the drawings, the broken line showing of the tire sidewall and the solid line defining the peripheral boundary between the tire tread and the sidewall are for illustrative purposes only and form no part of the claimed design.



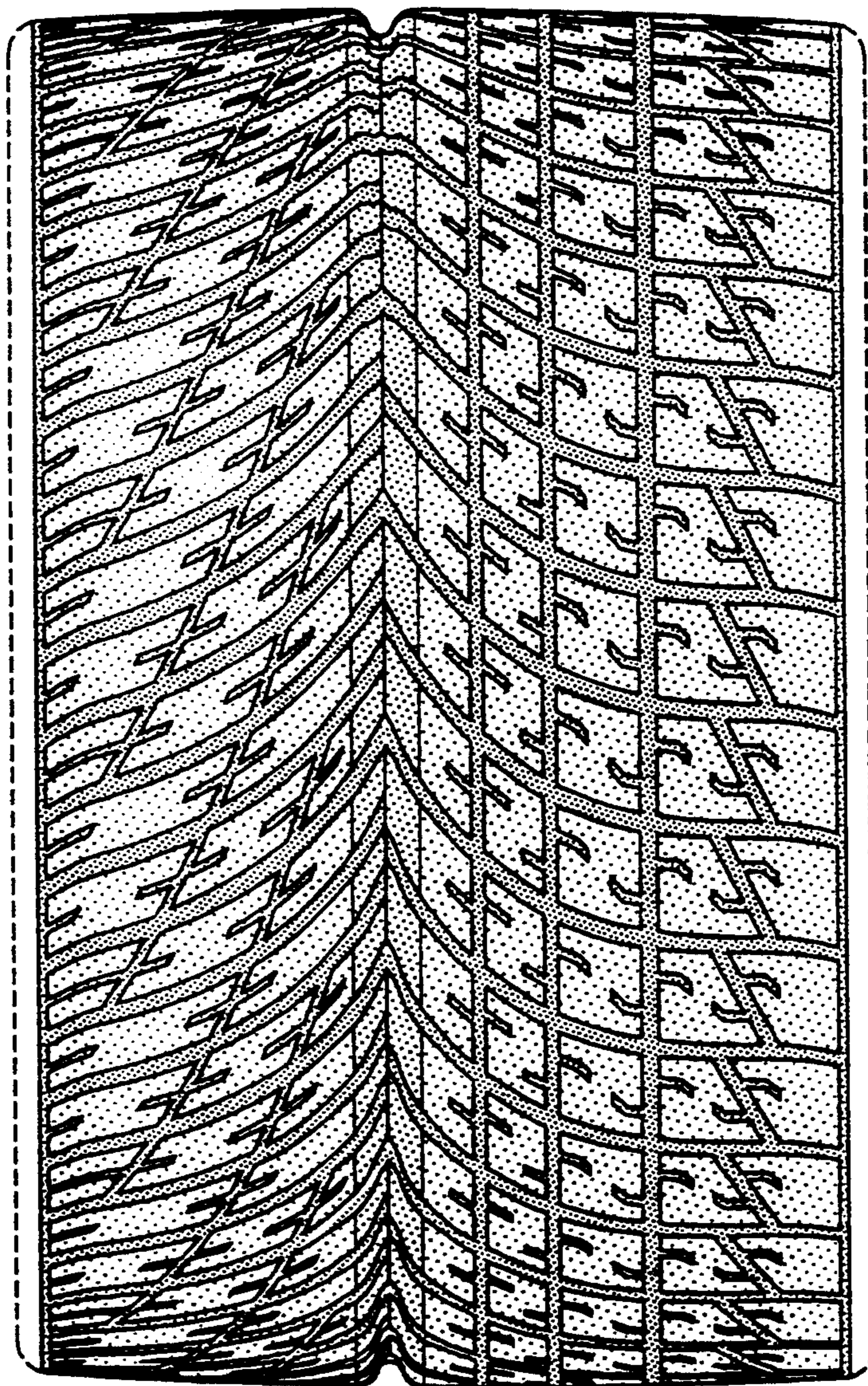


FIG-1

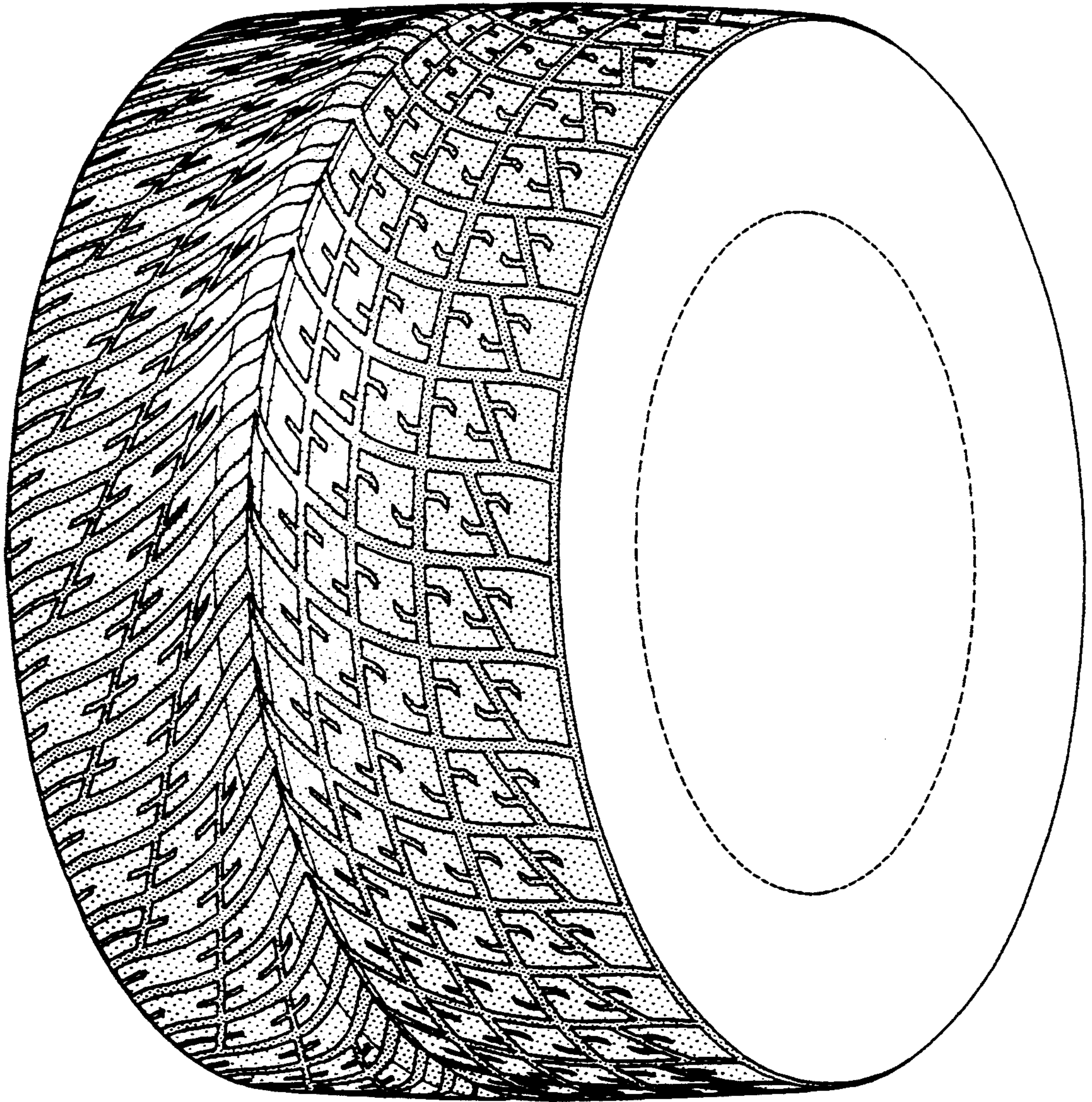


FIG-2

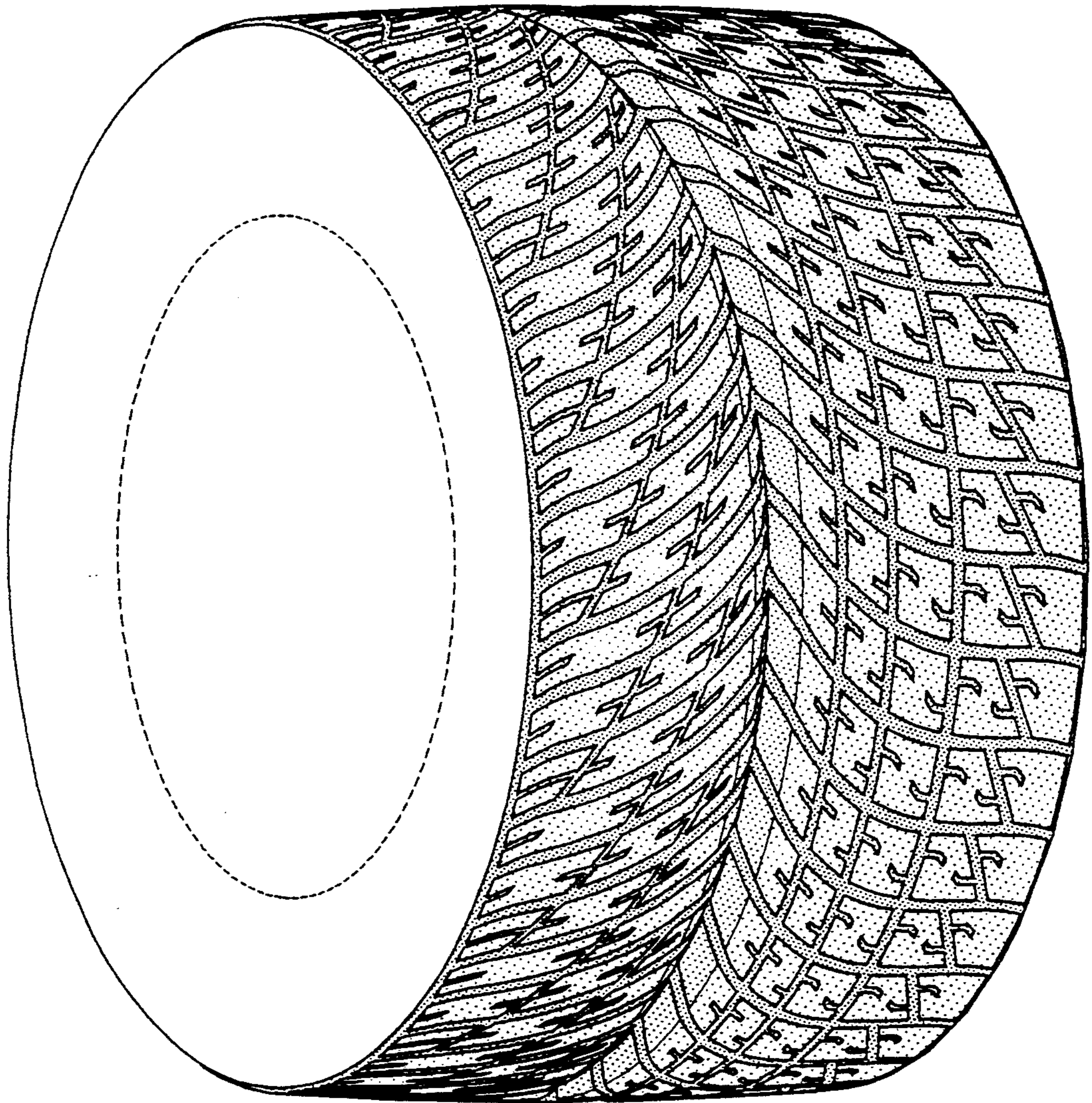


FIG-3

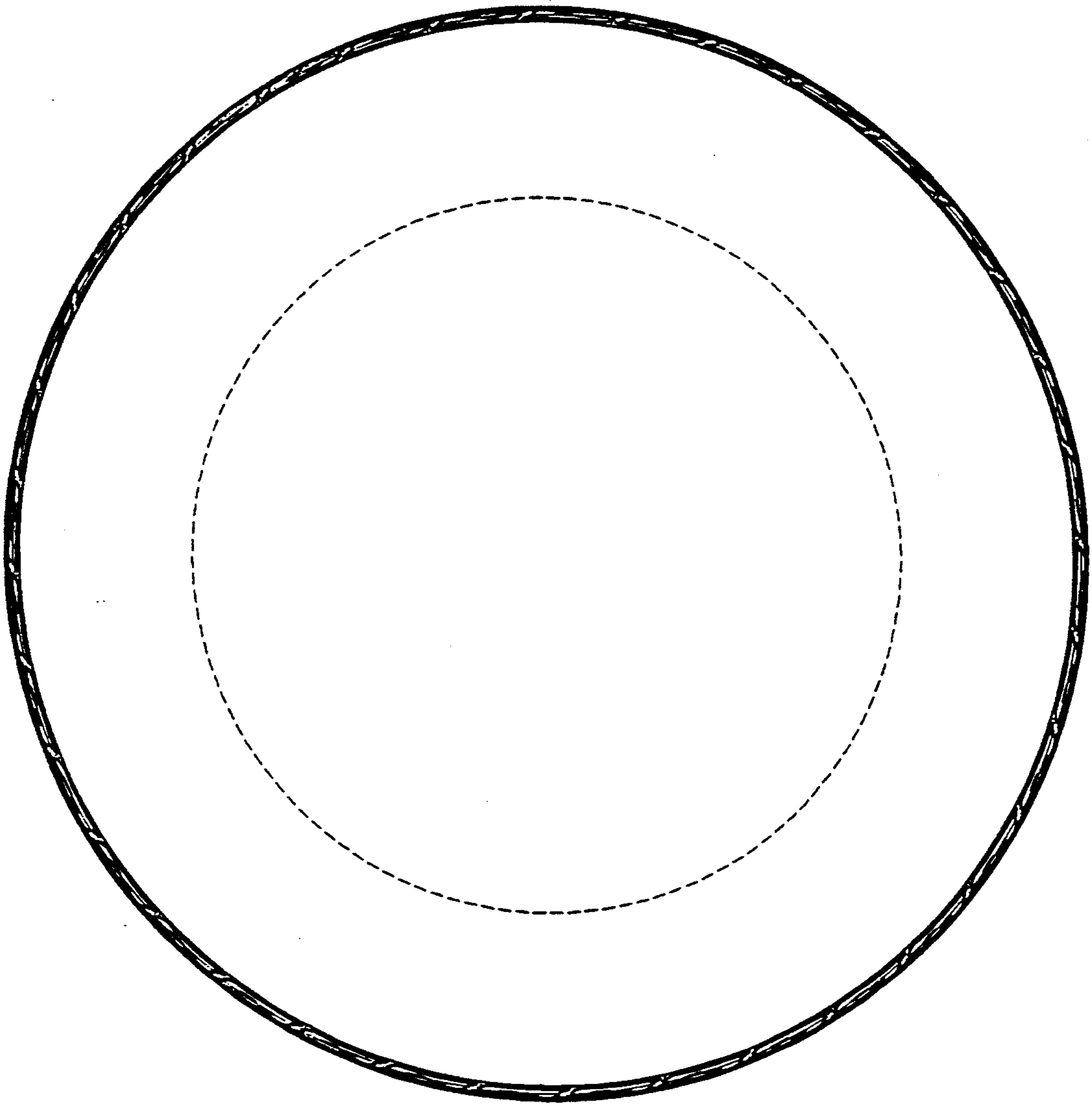


FIG-4

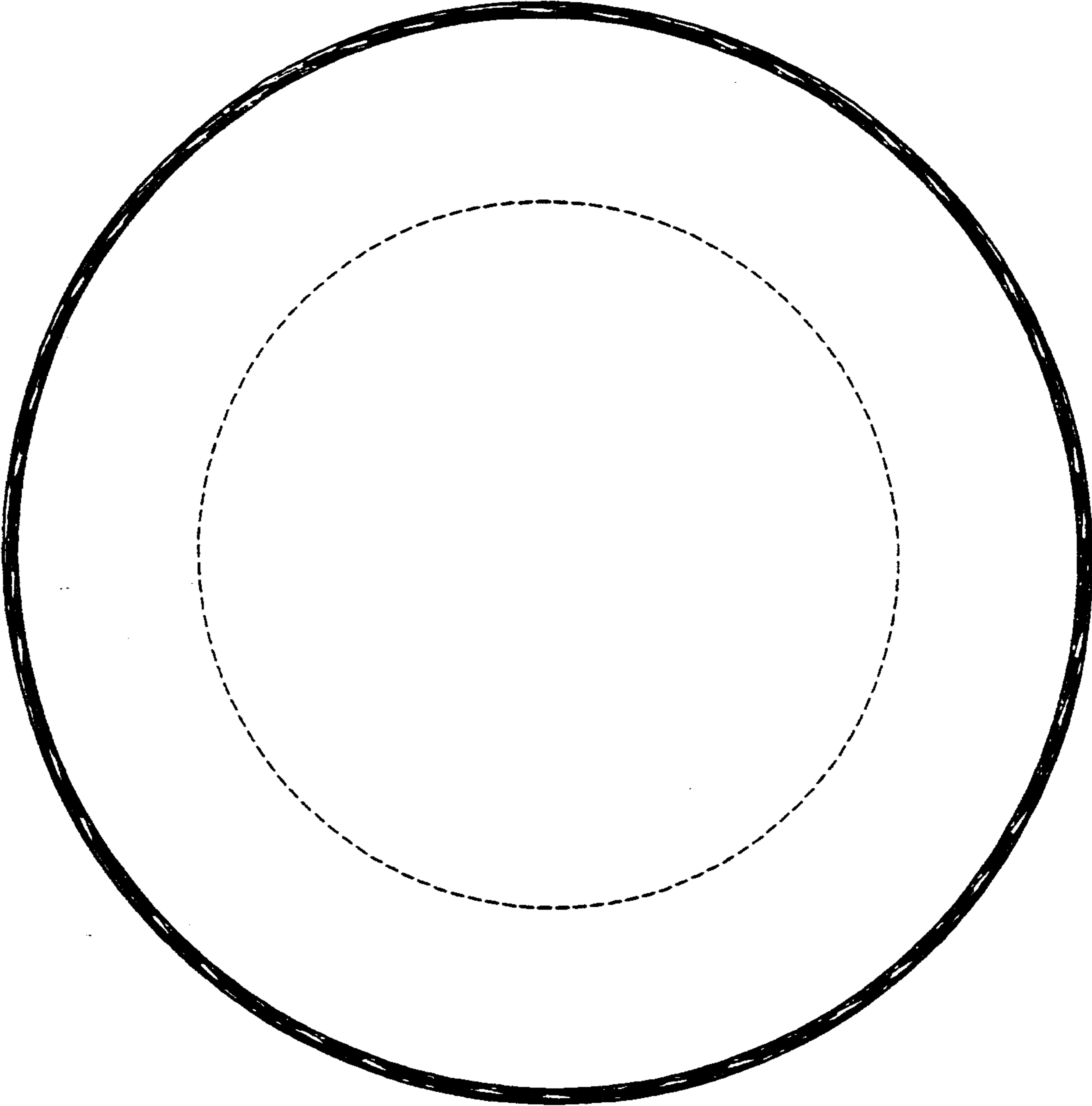


FIG-5

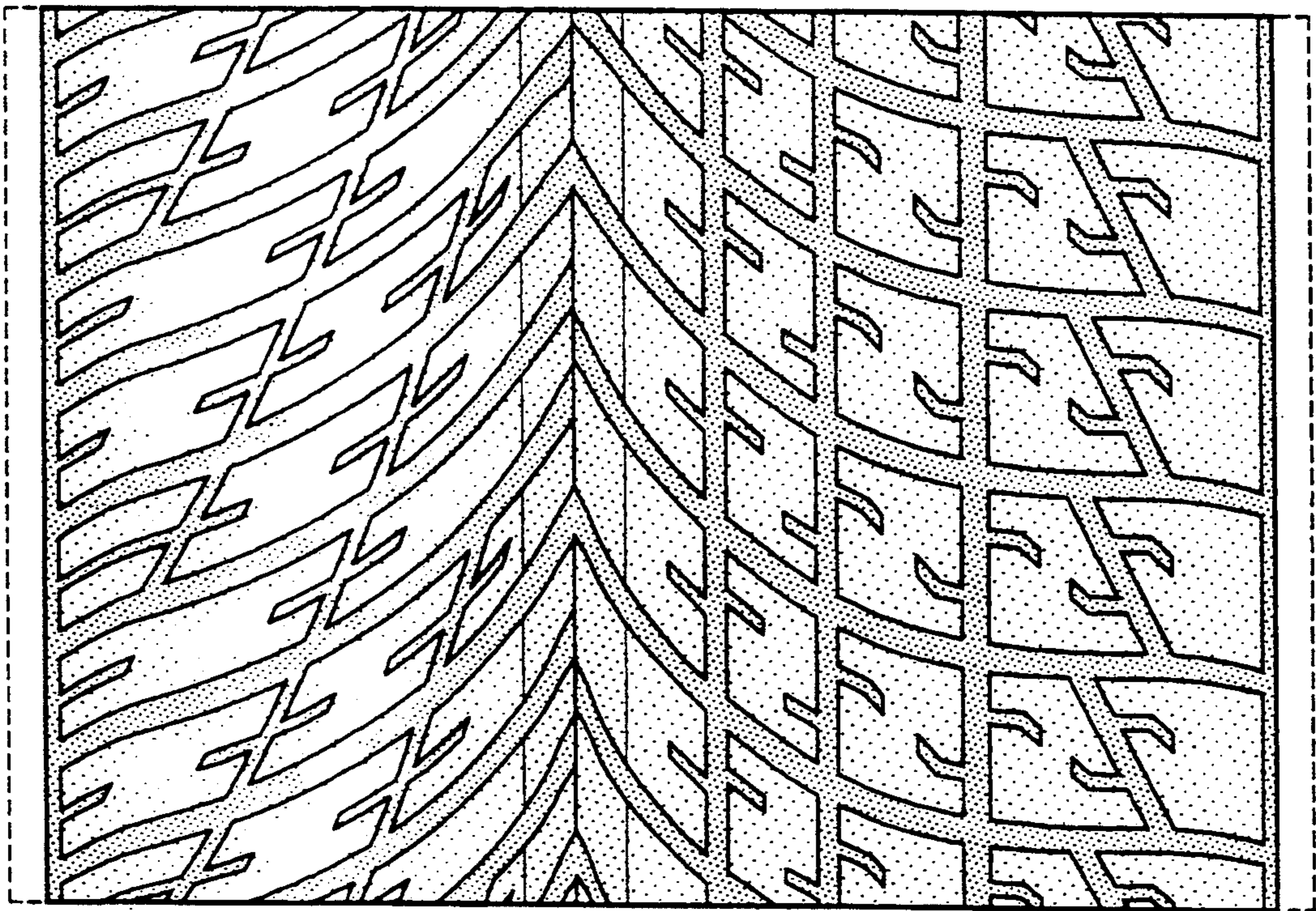


FIG-6