



US00D355147S

United States Patent [19]

[11] Patent Number: **Des. 355,147**

Frano

[45] Date of Patent: **** Feb. 7, 1995**

[54] ZIPPER PULL

4,602,405	7/1986	Sturman et al.	24/418
4,704,770	11/1987	Minami et al.	24/431
4,896,404	1/1990	Garner	24/415

[75] Inventor: **Francis G. Frano, Hoffman Estates, Ill.**

Primary Examiner—Ralf T. Seifert

[73] Assignee: **Illinois Tool Works Inc., Glenview, Ill.**

Attorney, Agent, or Firm—T. W. Buckman; J. P. O'Brien

[**] Term: **14 Years**

[57] **CLAIM**

[21] Appl. No.: **16,824**

The ornamental design for a zipper pull, as shown and described.

[22] Filed: **Dec. 27, 1993**

DESCRIPTION

[52] U.S. Cl. **D11/221**

FIG. 1 is a top, front left side perspective view of a zipper pull showing my new design, the broken line showing of a pair of cord ends is for illustrative purposes only and forms no part of the claimed design;

[58] Field of Search D11/200, 221; 24/381, 24/385, 415-417, 427-431; 70/456; 264/252

FIG. 2 is a top, back, left side perspective view of FIG. 1;

[56] **References Cited**

U.S. PATENT DOCUMENTS

D. 303,511	9/1989	Minami	D11/221
D. 311,158	10/1990	Soule	D11/221
D. 320,367	10/1991	Kalbach	D11/221
D. 348,236	6/1994	James	D11/200
1,447,627	3/1923	Primoshic	24/431
2,277,506	3/1942	Beckwith	24/442
3,967,350	7/1976	Kawashima	24/415

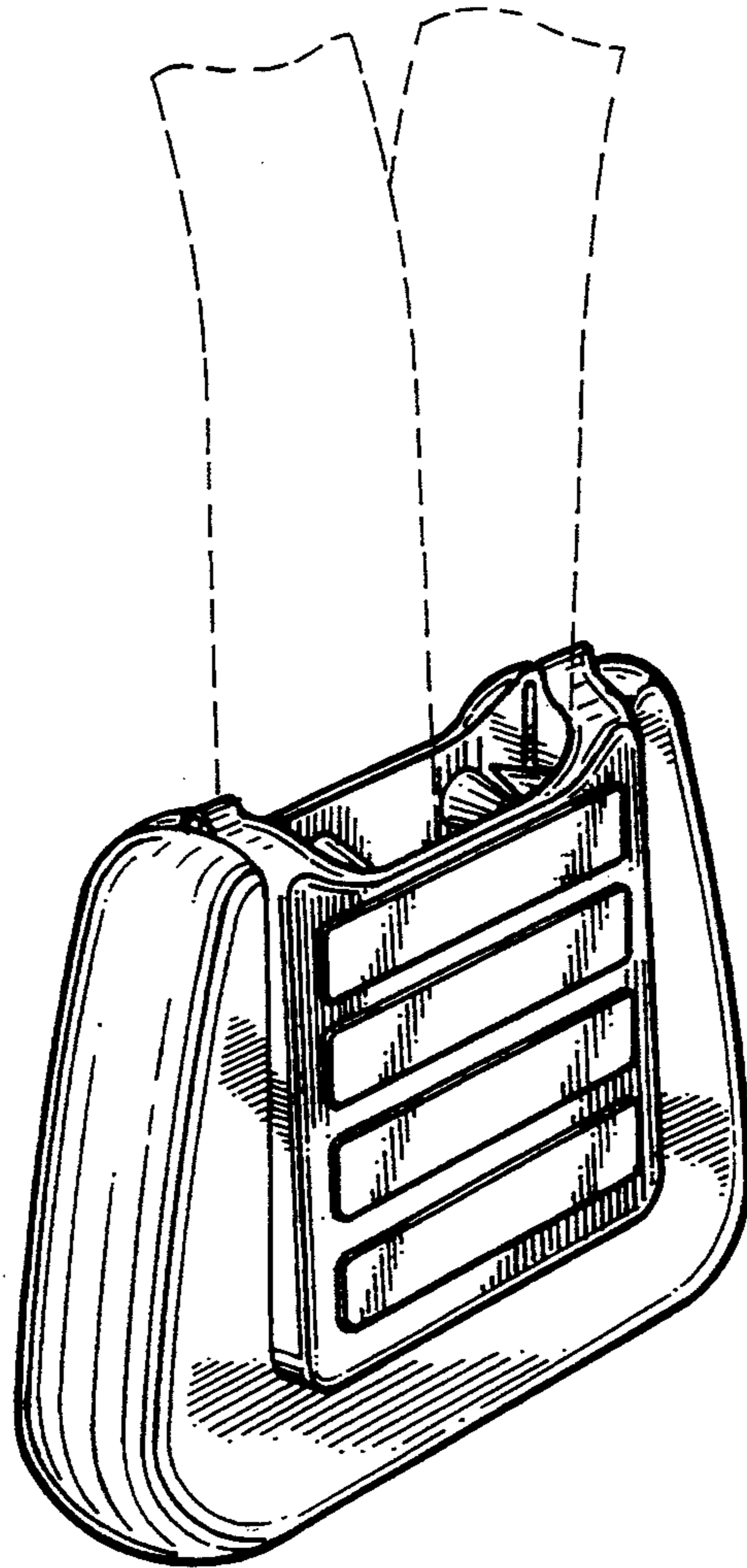
FIG. 3 is a top, plan, rear view of the zipper pull shown in the open position;

FIG. 4 is a front elevational view of FIG. 3;

FIG. 5 is a left side elevational view as viewed from the left side of FIG. 3;

FIG. 6 is a side elevational view of FIG. 3; and,

FIG. 7 is a bottom plan view of FIG. 3.



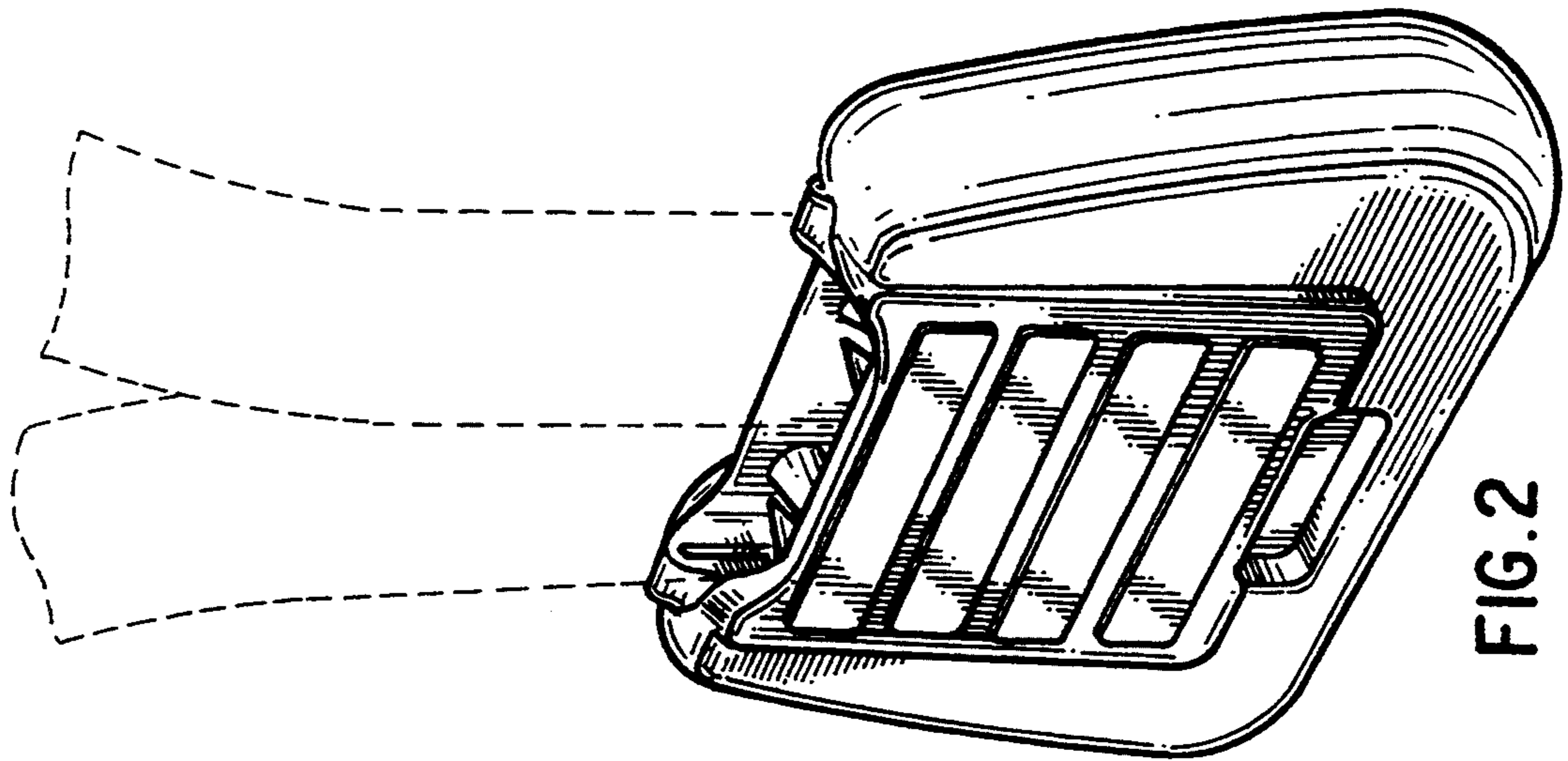


FIG. 2

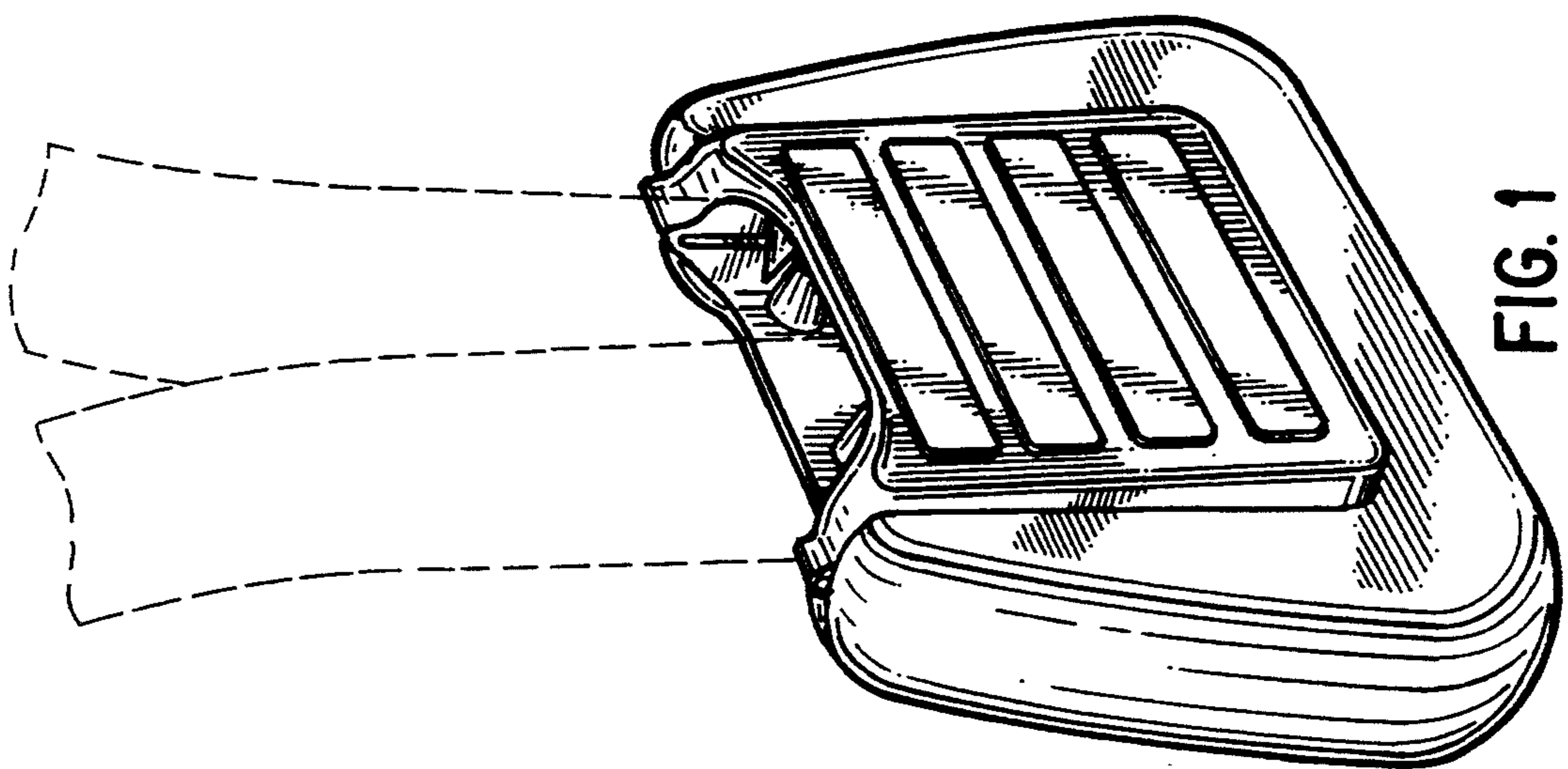


FIG. 1

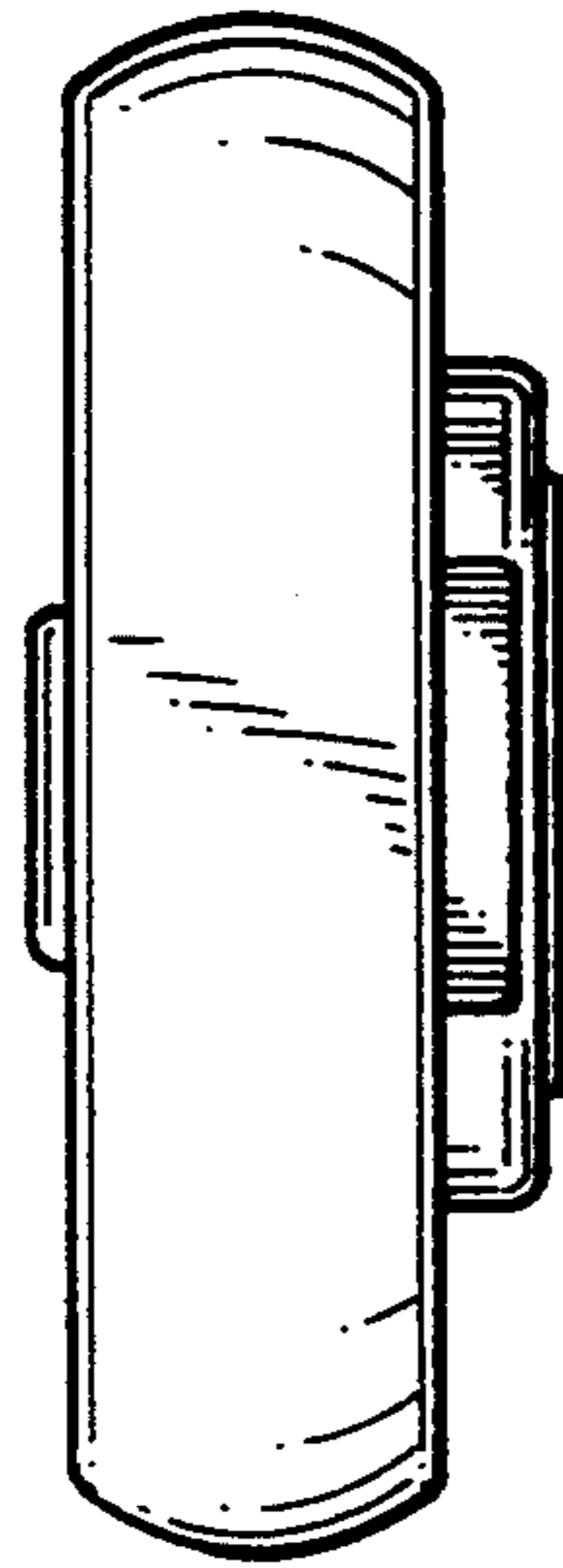


FIG. 5

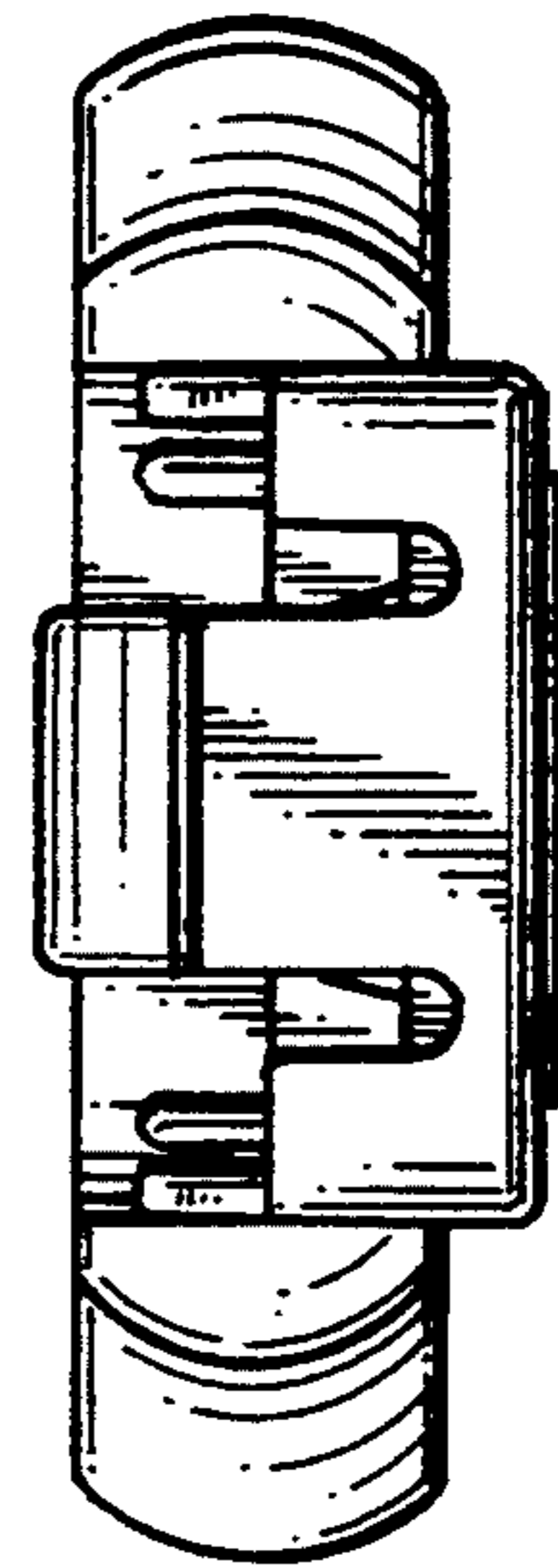


FIG. 6

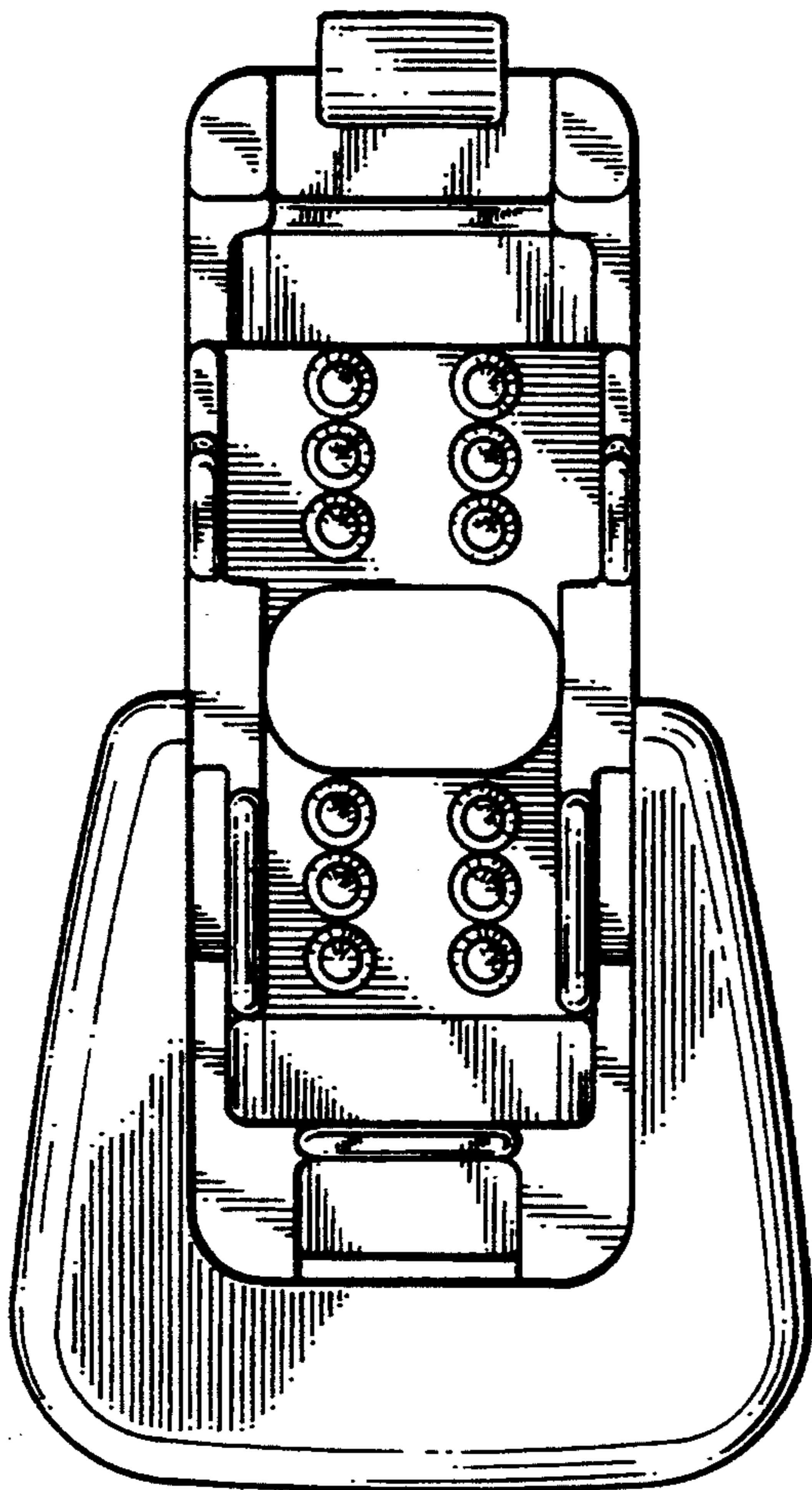


FIG. 3

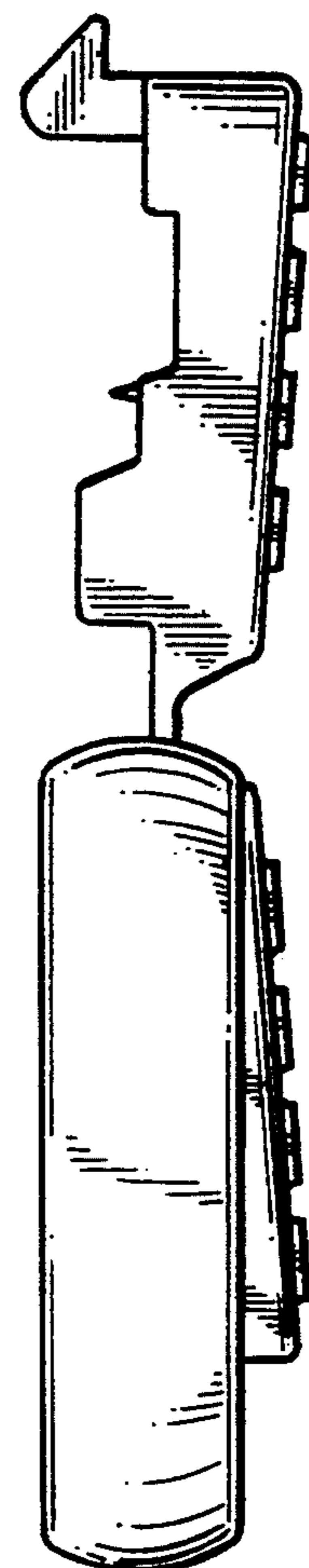


FIG. 4

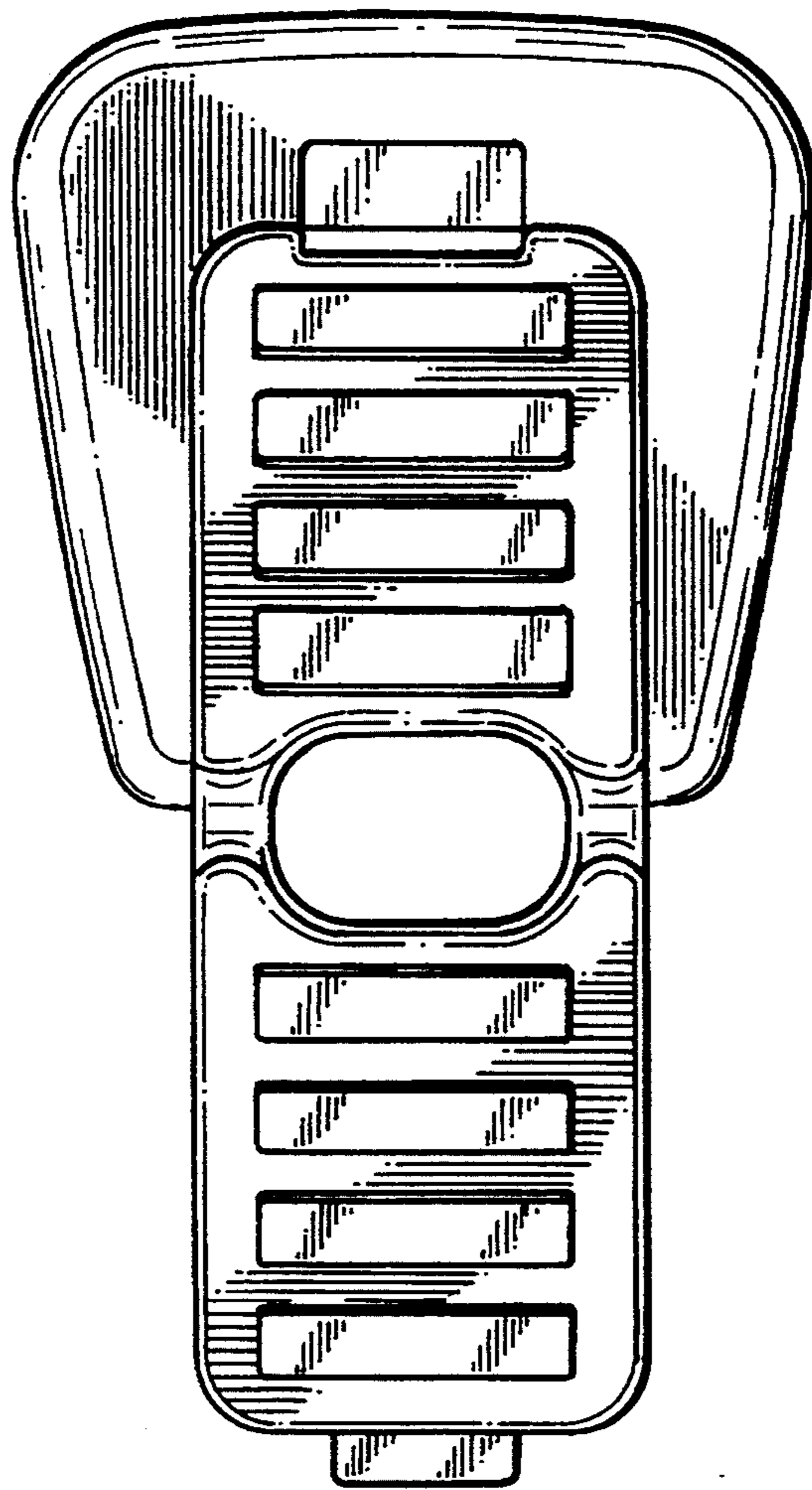


FIG.7