



US00D355144S

United States Patent [19]

[11] Patent Number: **Des. 355,144**

Cord

[45] Date of Patent: **** Feb. 7, 1995**

[54] PENDANT

[76] Inventor: **Barry S. Cord**, 67 Park Ave., New York, N.Y. 10016

[**] Term: **14 Years**

[21] Appl. No.: **13,181**

[22] Filed: **Sep. 20, 1993**

[52] U.S. Cl. **D11/81; D11/96**

[58] Field of Search **D11/1-2, D11/79-85, 95-116, 70-76; 63/1.1, 2, 20, 18**

- D. 153,601 5/1949 Gresh D11/81 X
- D. 189,687 1/1961 McAllister D11/81 X
- D. 192,093 1/1962 Schneider D11/80 X
- D. 225,537 12/1972 Bowers D11/81 X
- D. 283,408 4/1986 Martin D11/81
- D. 329,402 9/1992 Zears D11/81 X

Primary Examiner—Ralf T. Seifert
Attorney, Agent, or Firm—Kuhn and Muller

[57] CLAIM

The ornamental design for a pendant, as shown and described.

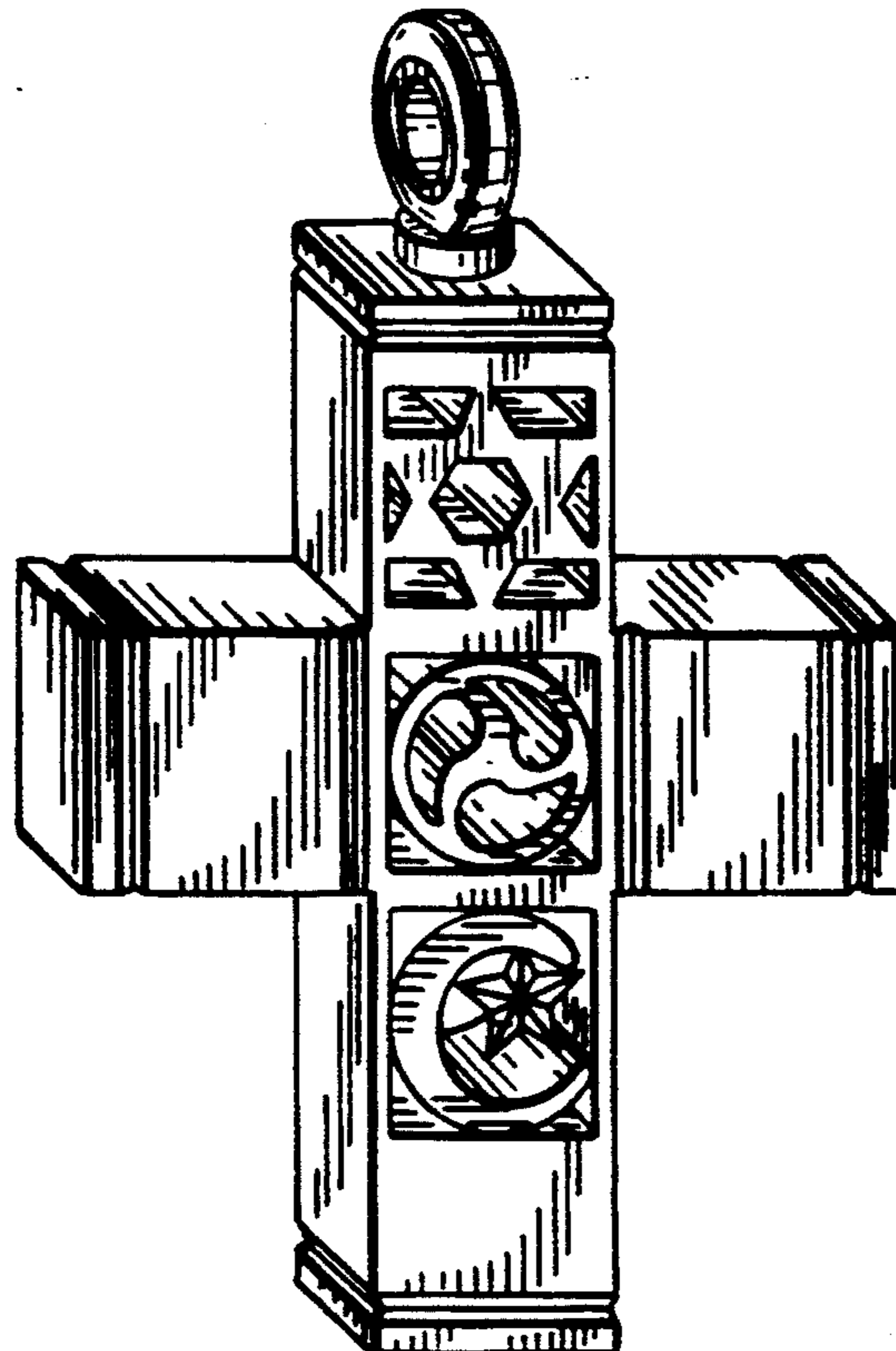
DESCRIPTION

FIG. 1 is an isometric perspective view of the pendant; FIG. 2 is a top plan view thereof; FIG. 3 is a left side view, the right side being identical thereof; FIG. 4 is a front elevational view thereof, and, FIG. 5 is a bottom plan view thereof.

[56] References Cited

U.S. PATENT DOCUMENTS

- D. 9,413 8/1876 Menage D11/81 X
- D. 10,652 4/1878 Briggs D11/81
- D. 118,859 2/1940 Kronstadt D11/81 X
- D. 148,022 12/1947 Jacobson D11/81 X



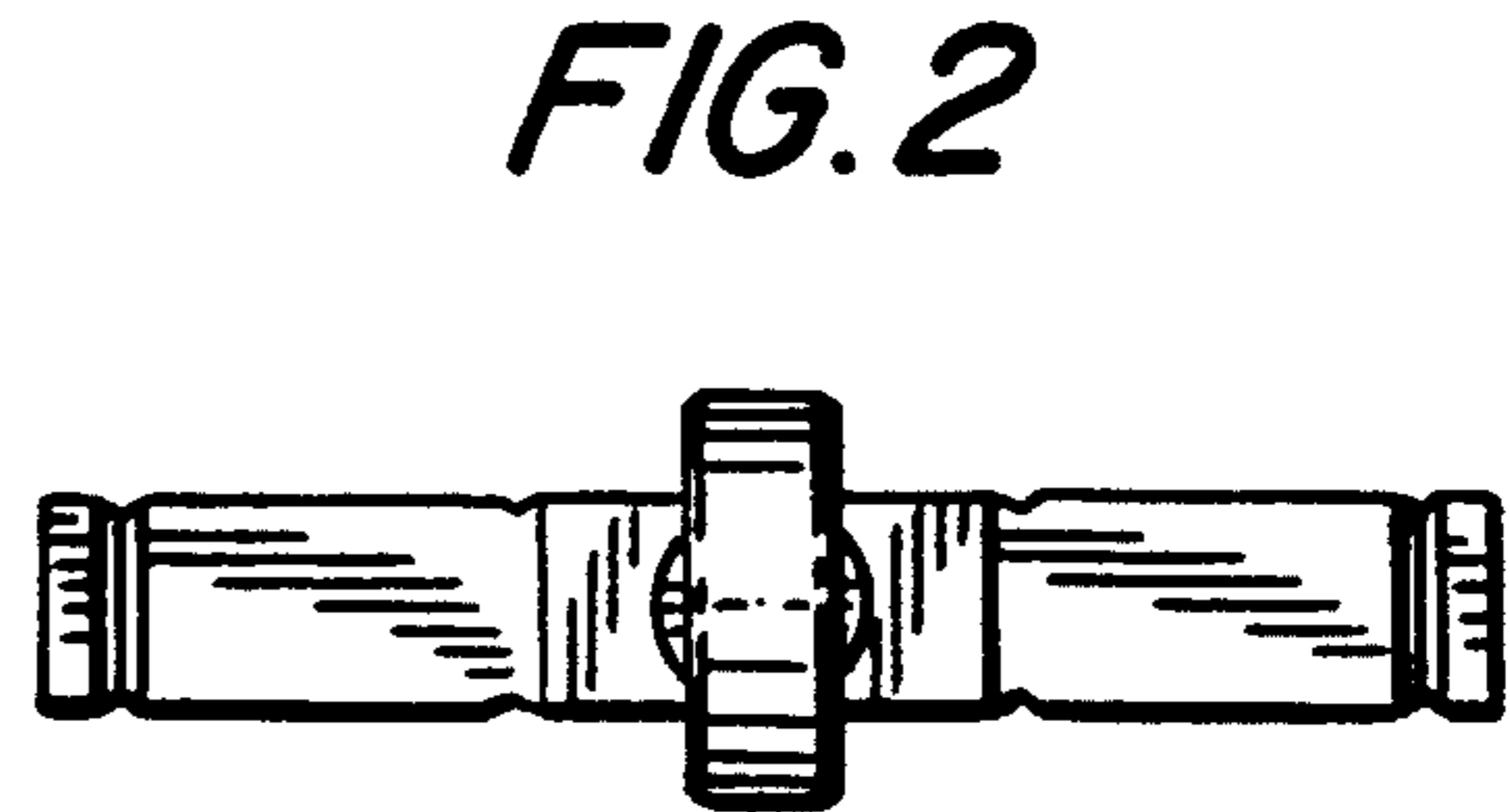
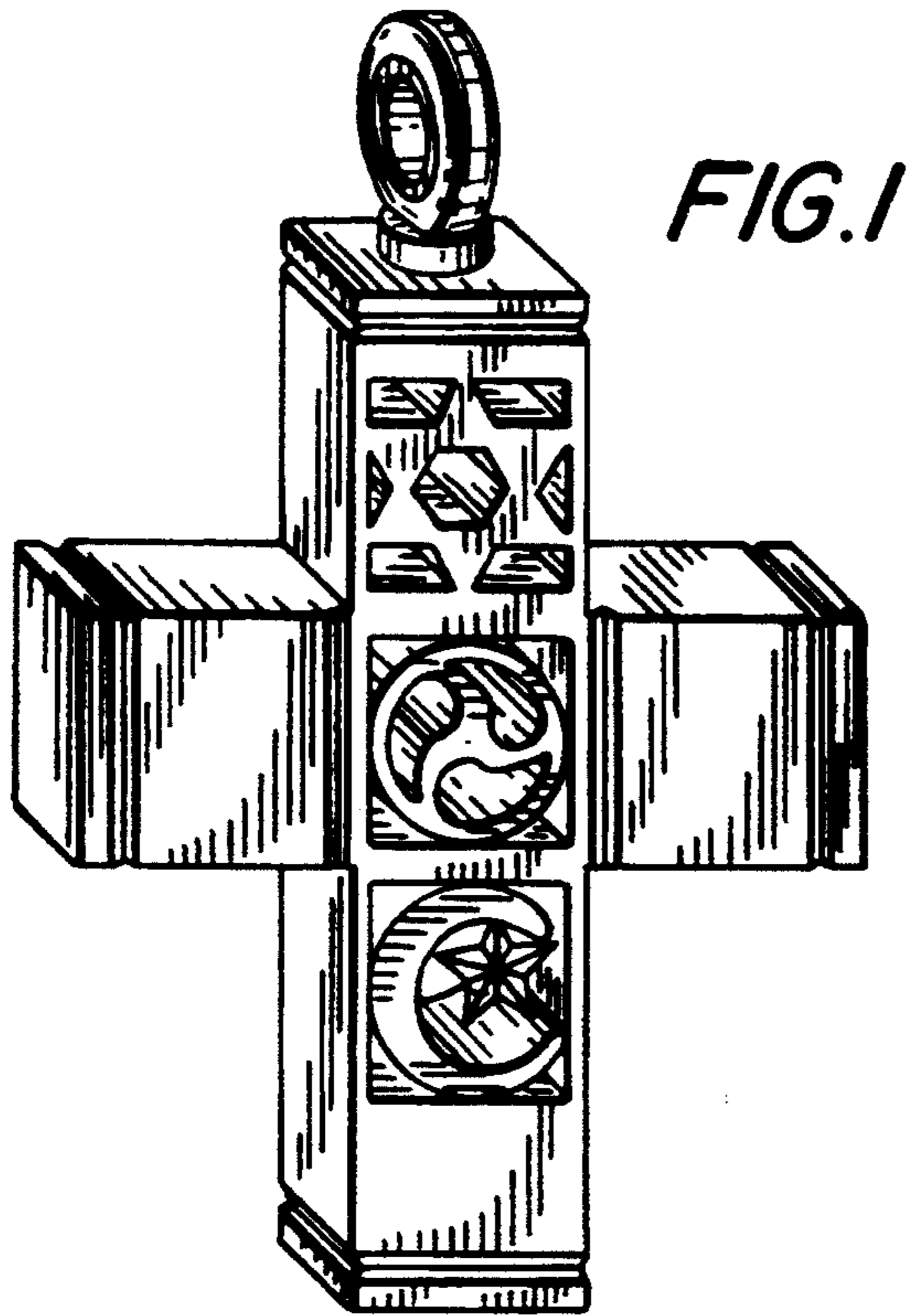


FIG. 3

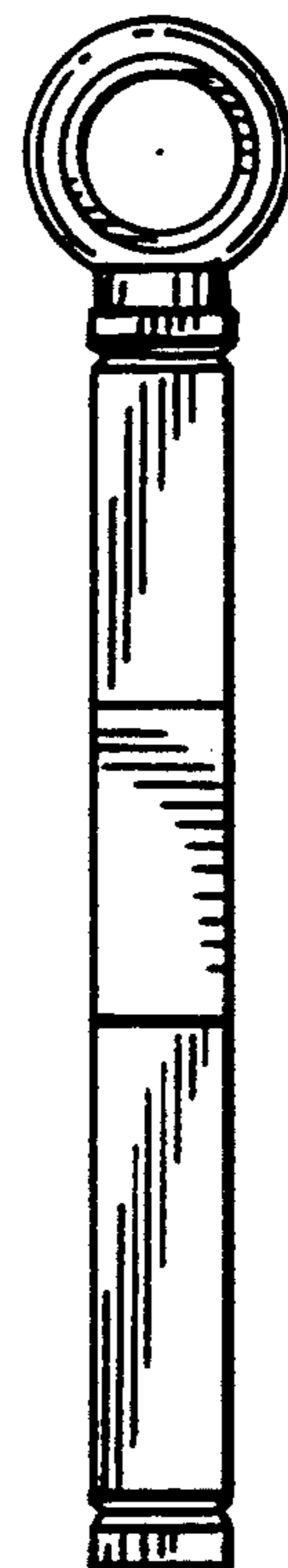
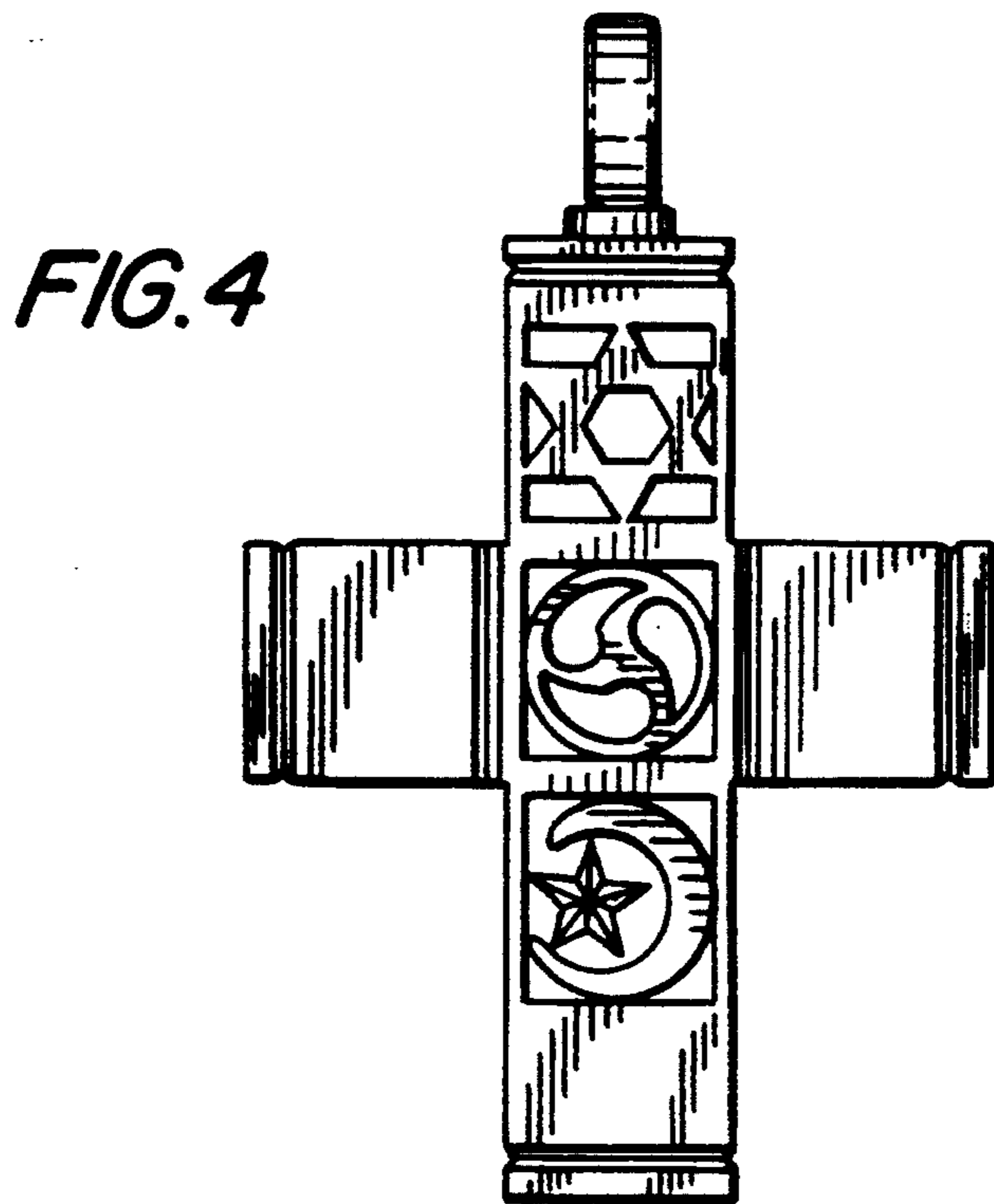


FIG. 5

