



US00D355143S

United States Patent [19]

[11] Patent Number: **Des. 355,143**

Lee et al.

[45] Date of Patent: **** Feb. 7, 1995**

[54] **CHIME COVER**

D. 280,083	8/1985	Zevin et al.	D10/118
D. 284,175	6/1986	Zevin	D10/118
D. 294,471	3/1988	Zevin et al.	D10/118

[75] Inventors: **William A. Lee, Wheaton; Gary F. Prokop, Berwyn, both of Ill.**

Primary Examiner—Wallace R. Burke
Assistant Examiner—Marcus Jackson
Attorney, Agent, or Firm—Augustus Douvas

[73] Assignee: **Seatt Corporation, Downers Grove, Ill.**

[**] Term: **14 Years**

[57] **CLAIM**

[21] Appl. No.: **22,082**

The ornament design for a chime cover, as shown and described.

[22] Filed: **Apr. 29, 1994**

DESCRIPTION

[52] U.S. Cl. **D10/118**

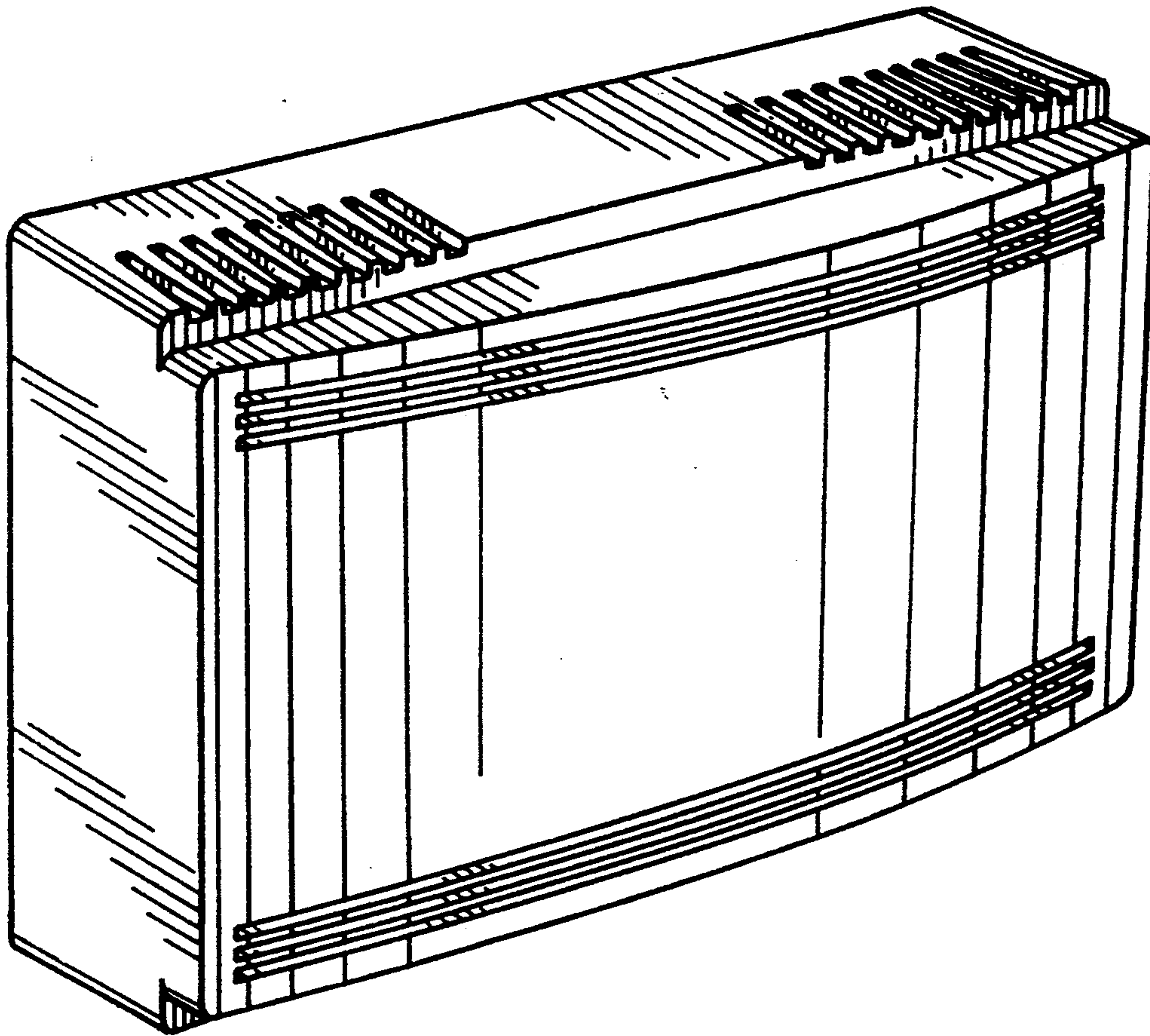
[58] Field of Search D10/104, 116, 118, 121;
340/384 R, 384 E, 392, 393, 394, 404, 405;
116/141

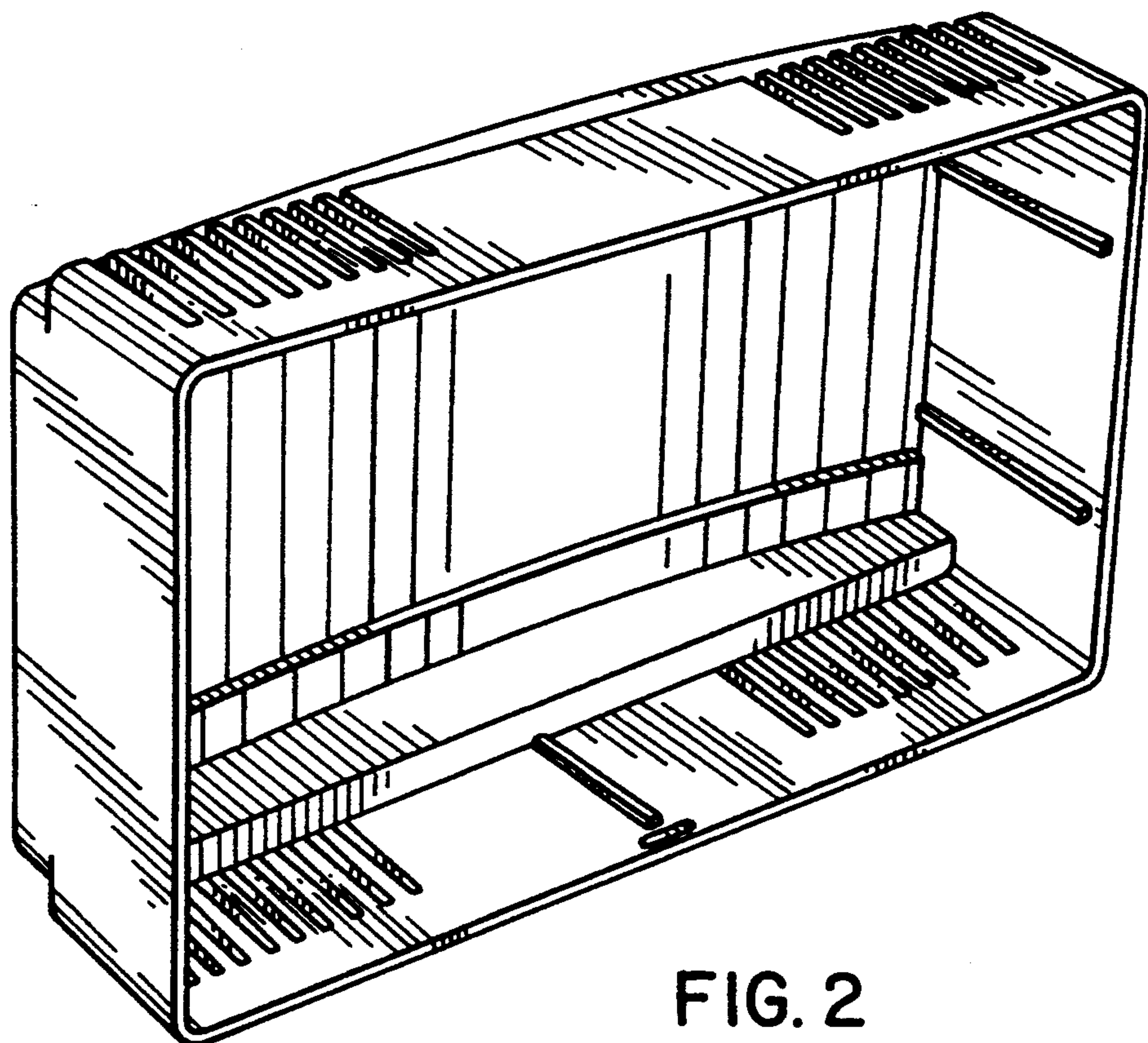
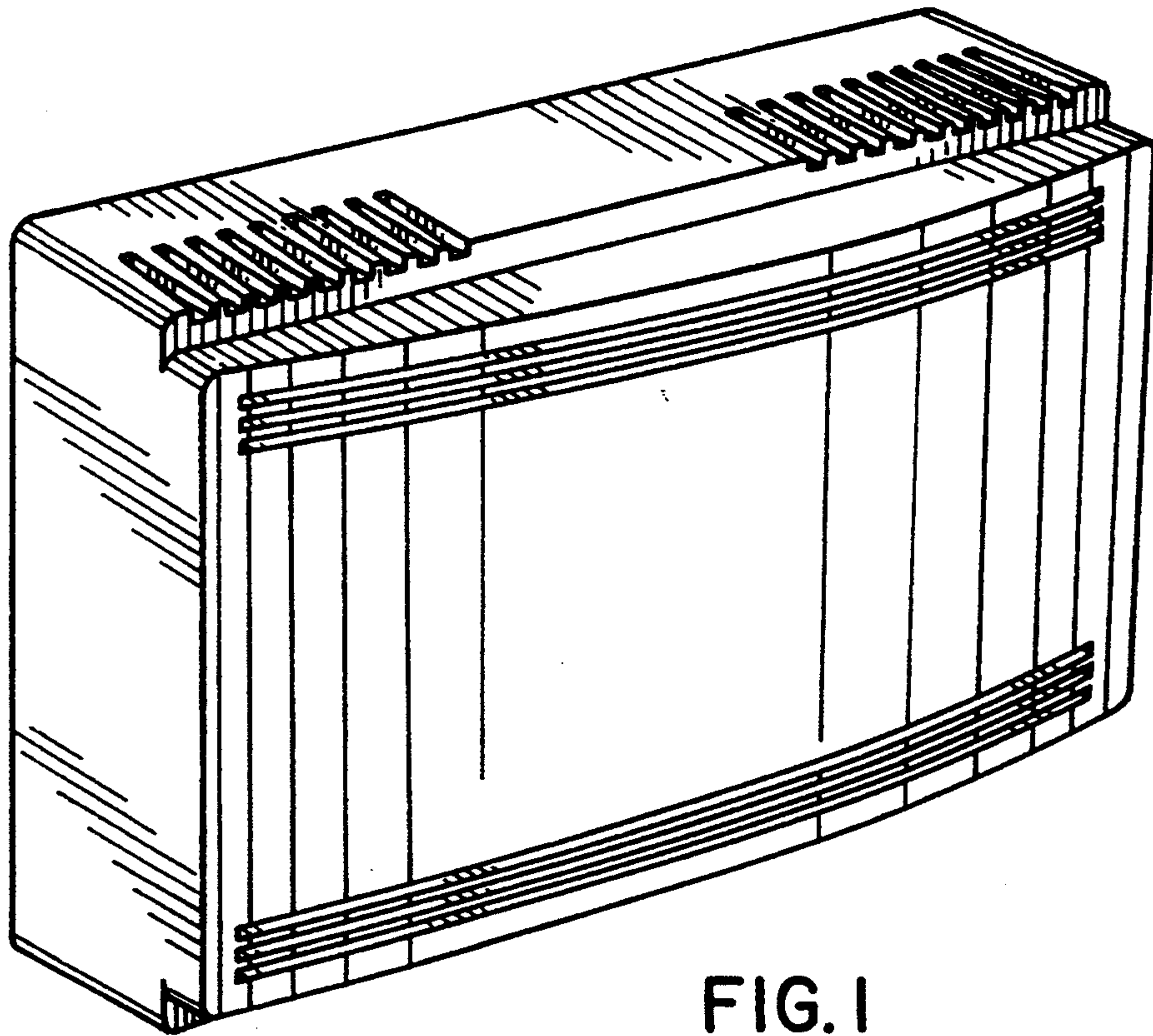
FIG. 1 is a front perspective view of an embodiment of my chime cover showing my new design;
FIG. 2 is a rear perspective view of the chime cover;
FIG. 3 is a front elevation view of the chime cover;
FIG. 4 is a side elevation view of the chime over (both sides being identical);
FIG. 5 is a top view of the chime cover; and,
FIG. 6 is a rear elevation view of the chime cover.

[56] **References Cited**

U.S. PATENT DOCUMENTS

D. 280,082 8/1985 Zevin et al. D10/118





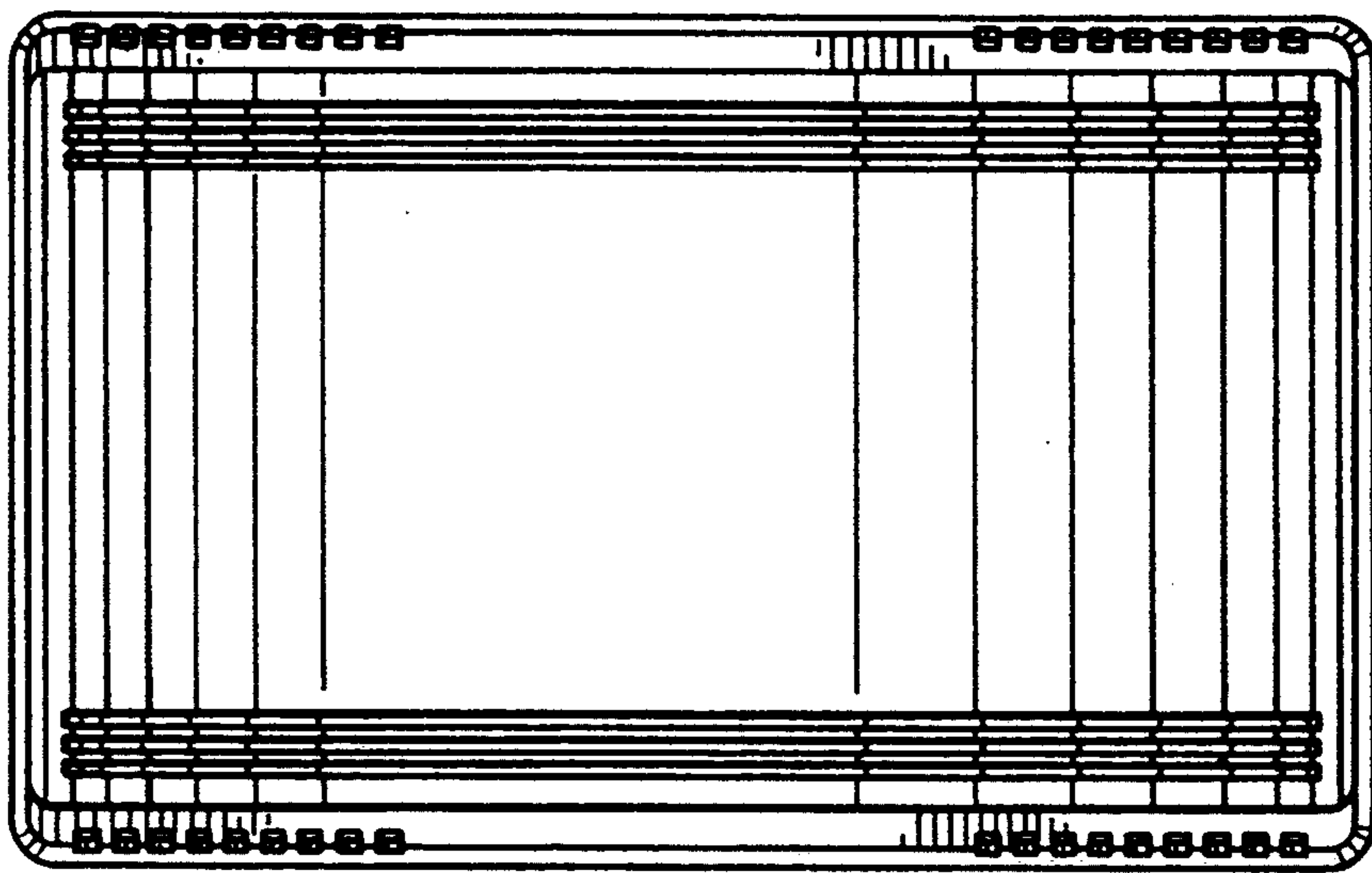


FIG. 3

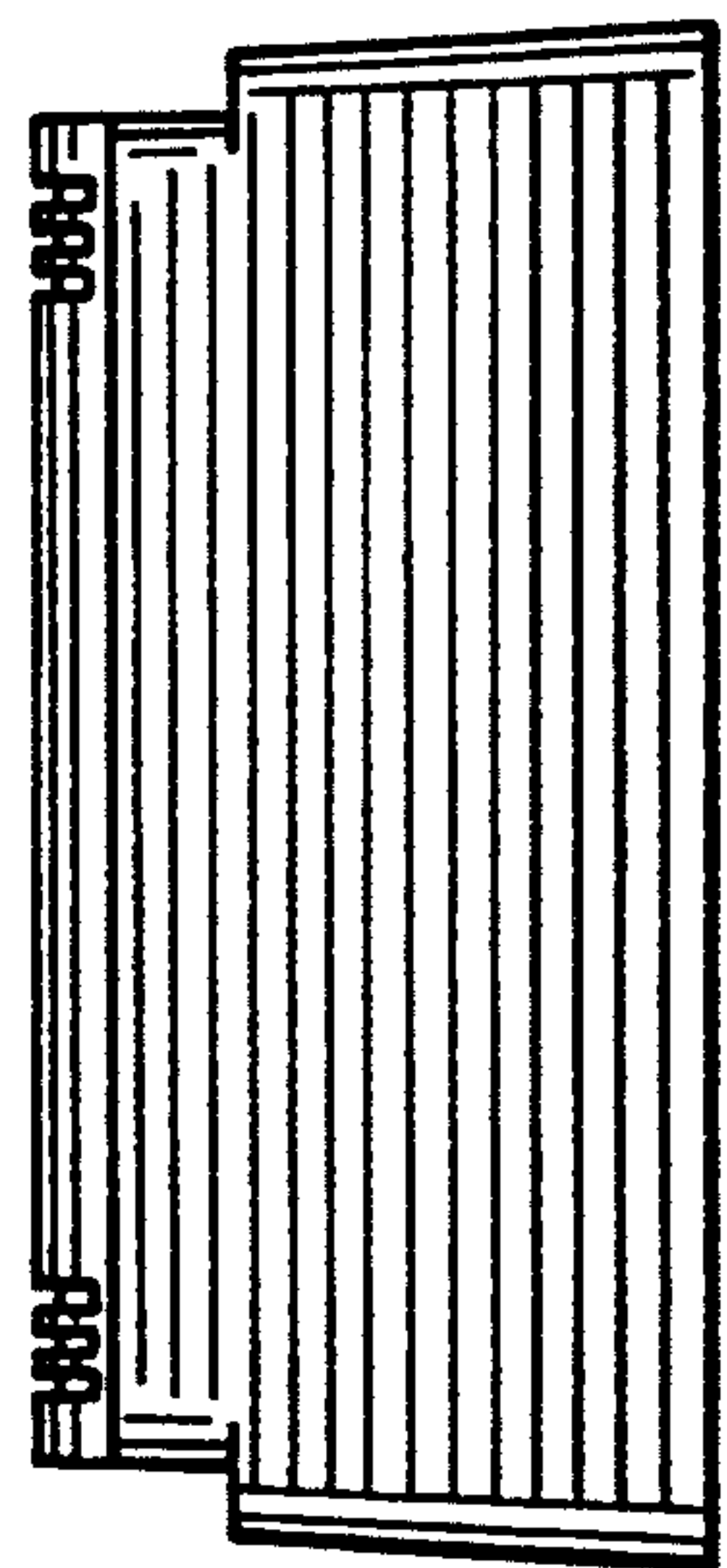


FIG. 4

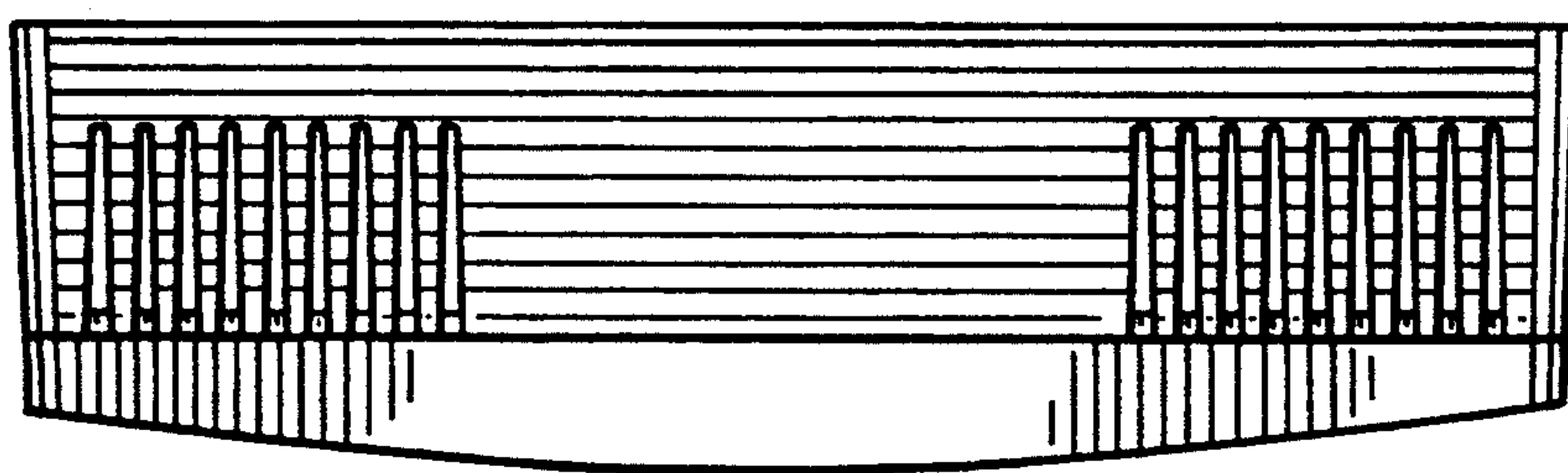


FIG. 5

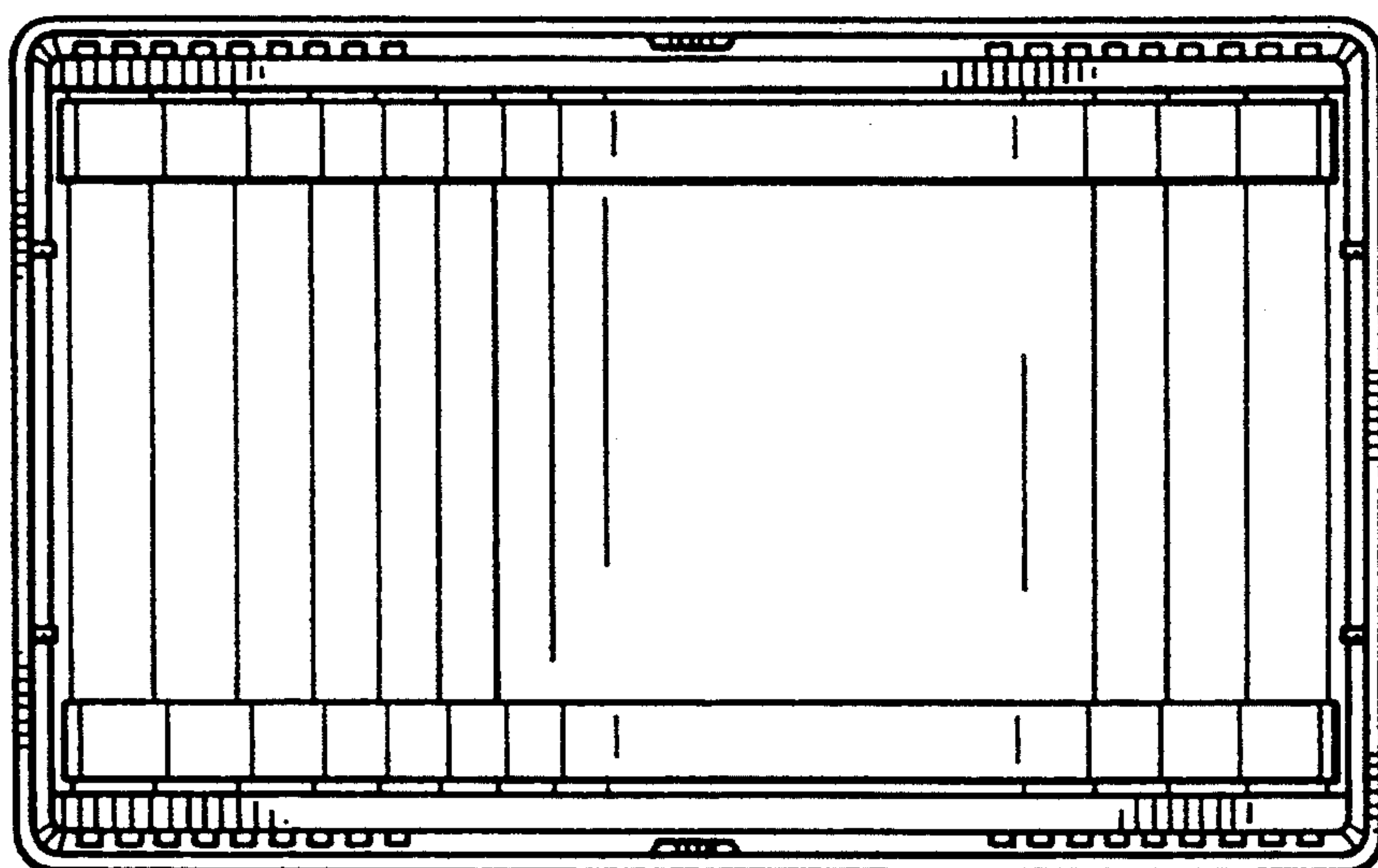


FIG. 6