



US00D355142S

# United States Patent [19]

[11] Patent Number: **Des. 355,142**

Wagner

[45] Date of Patent: **\*\* Feb. 7, 1995**

[54] **COMBINED WARNING LIGHT AND SIREN HOUSING FOR AN EMERGENCY VEHICLE**

D. 324,921 3/1992 Stanuch et al. .... D10/114  
D. 326,621 6/1992 Jincks et al. .... D10/114

[75] Inventor: **Thomas E. Wagner, Kirkwood, Mo.**

*Primary Examiner*—James M. Gandy  
*Assistant Examiner*—Marcus Jackson  
*Attorney, Agent, or Firm*—Paul M. Denk

[73] Assignee: **Wagner Products Co., Kirkwood, Mo.**

[57] **CLAIM**

[\*\*] Term: **14 Years**

The ornamental design for the combined warning light and siren housing for an emergency vehicle, as shown and described.

[21] Appl. No.: **18,444**

[22] Filed: **Feb. 7, 1994**

**DESCRIPTION**

[52] U.S. Cl. .... **D10/114**

[58] **Field of Search** .... D26/28-36;  
D10/114, 115, 121; 362/61, 62, 72, 217, 223,  
224, 227, 262, 282, 311, 362; 340/384 R, 384 E

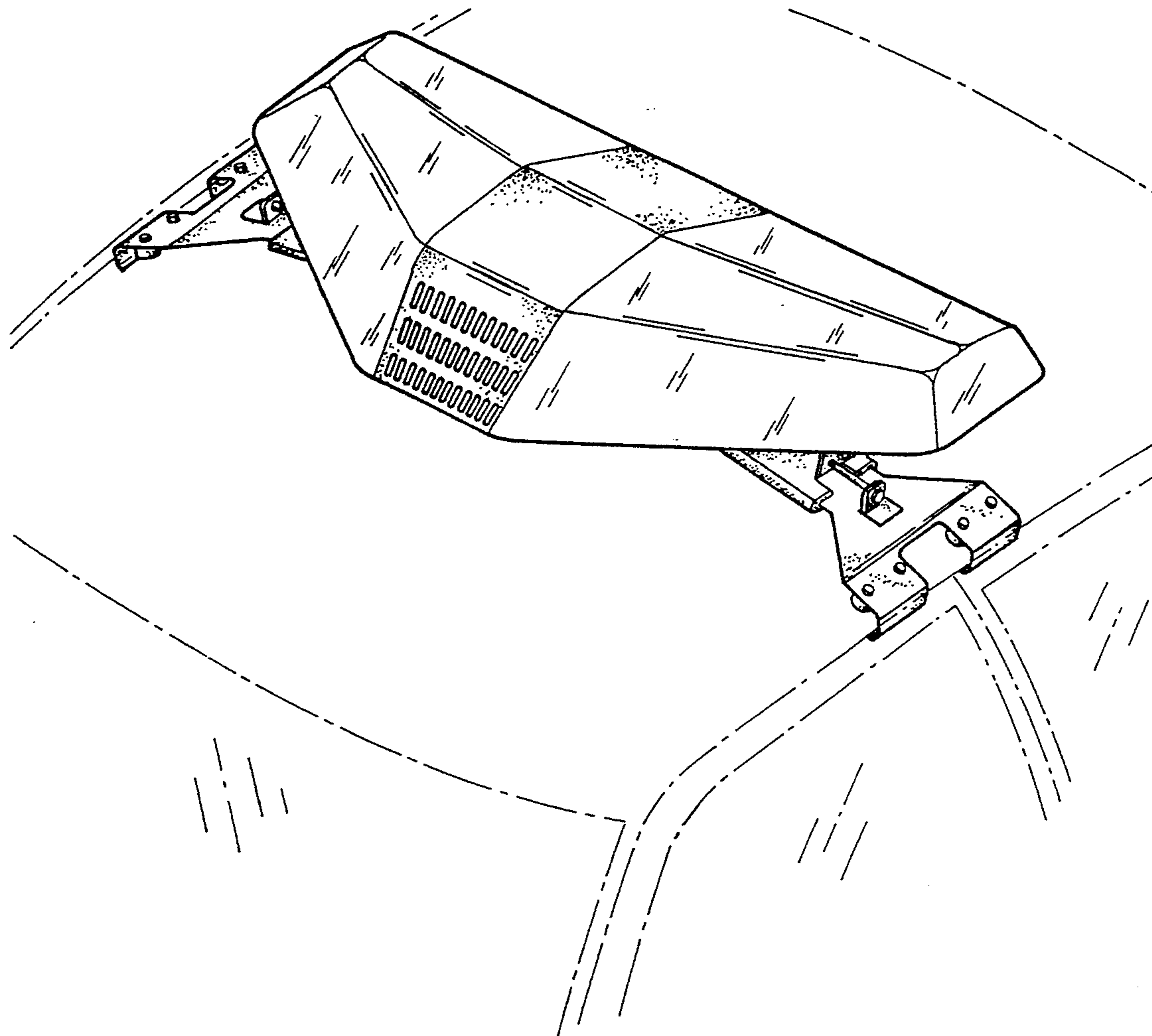
FIG. 1 is a perspective view of a combined warning light and siren housing for an emergency vehicle showing my new design, with a broken line showing for illustrative purposes only and forming no part of the claimed design;

[56] **References Cited**

**U.S. PATENT DOCUMENTS**

D. 249,250 9/1928 Peirish, Jr. .... D10/114  
D. 254,603 4/1980 Gosswiller .... D10/114  
D. 291,870 9/1987 Urbanski et al. .... D10/114  
D. 319,601 9/1991 Sasaki et al. .... D10/114

FIG. 2 is a front view thereof;  
FIG. 3 is a rear view thereof;  
FIG. 4 is a right side view thereof;  
FIG. 5 is a left side view thereof;  
FIG. 6 is a top view thereof; and,  
FIG. 7 is a bottom plan thereof.



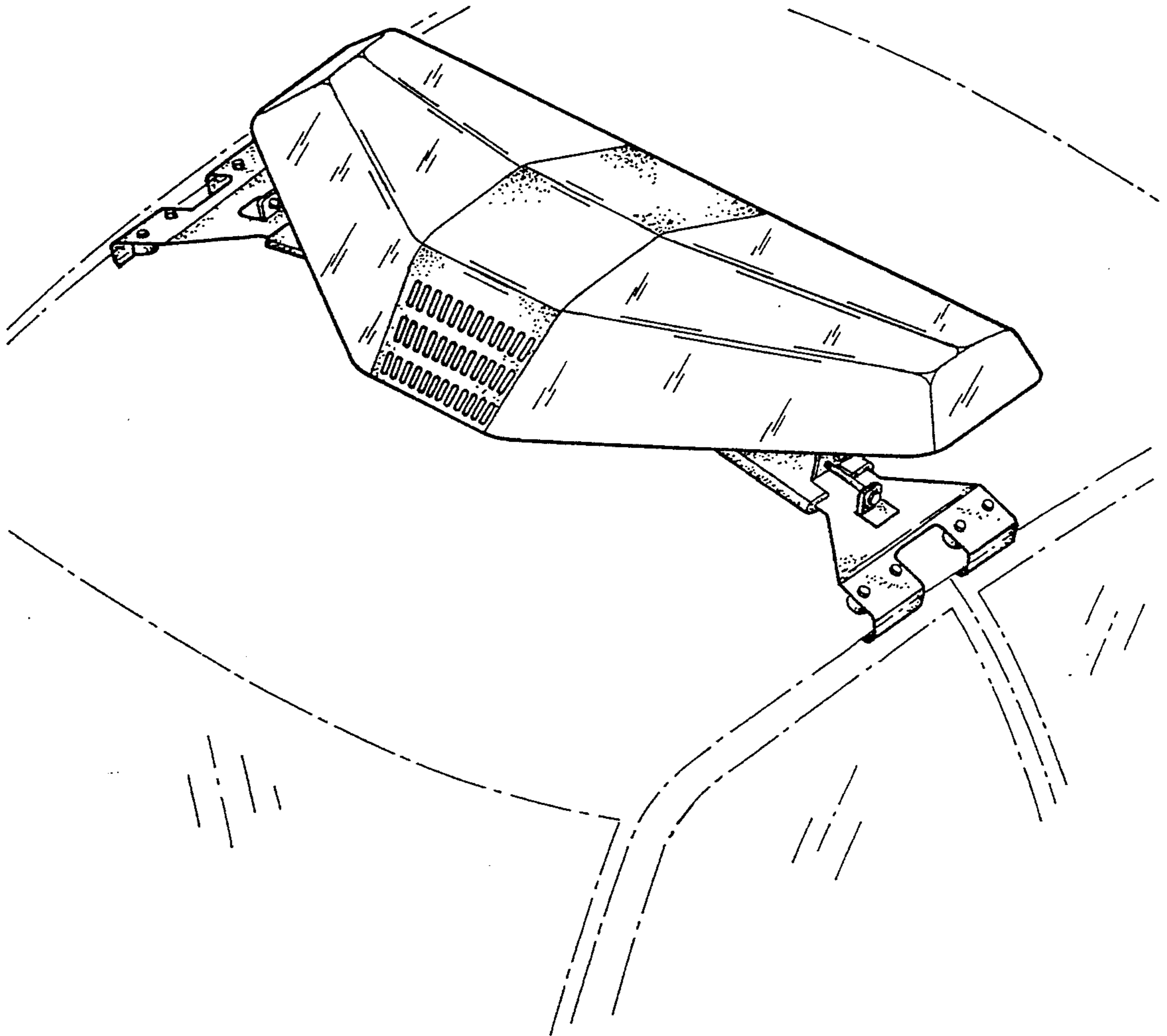


FIG. 1

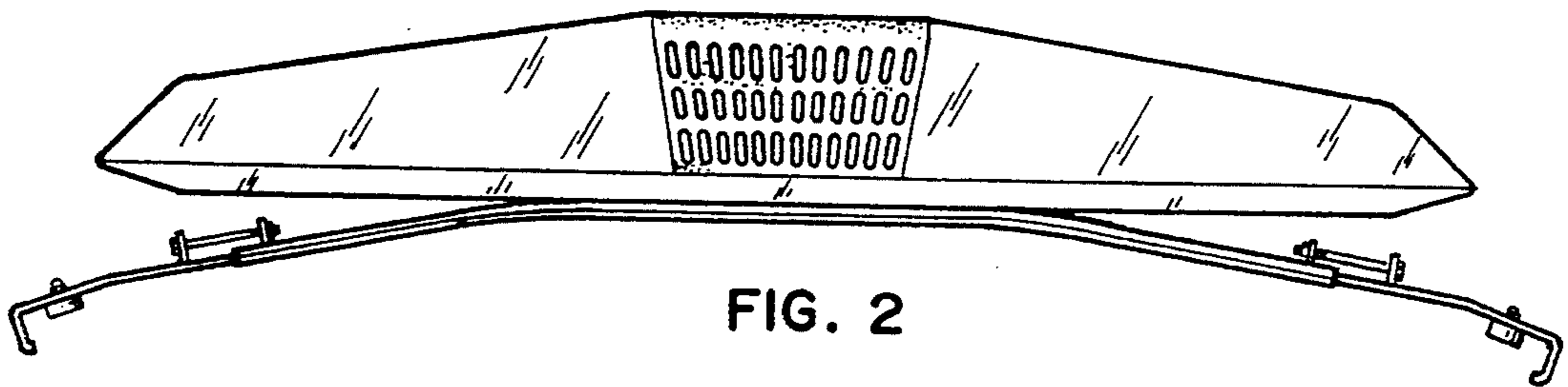


FIG. 2

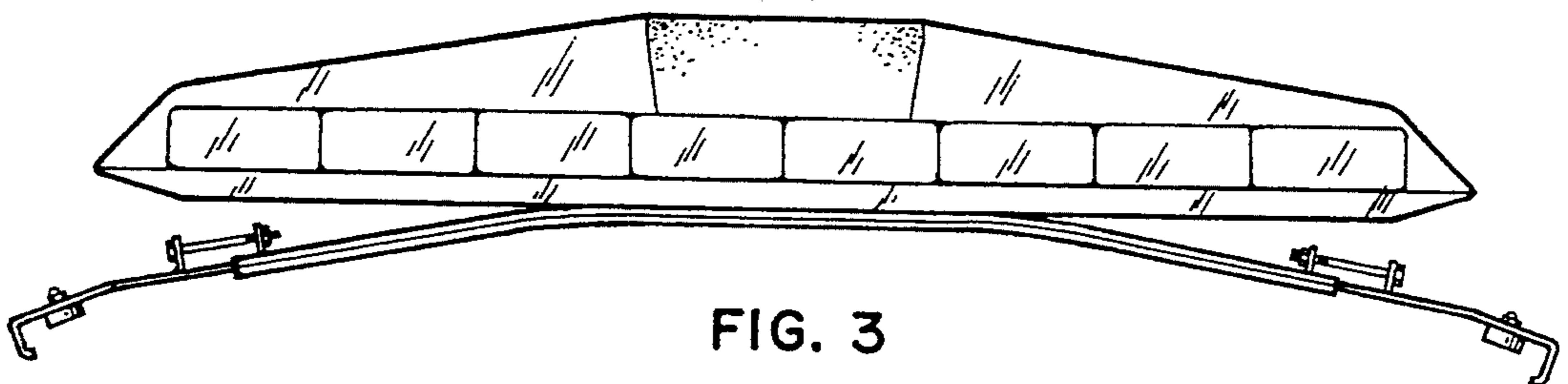


FIG. 3

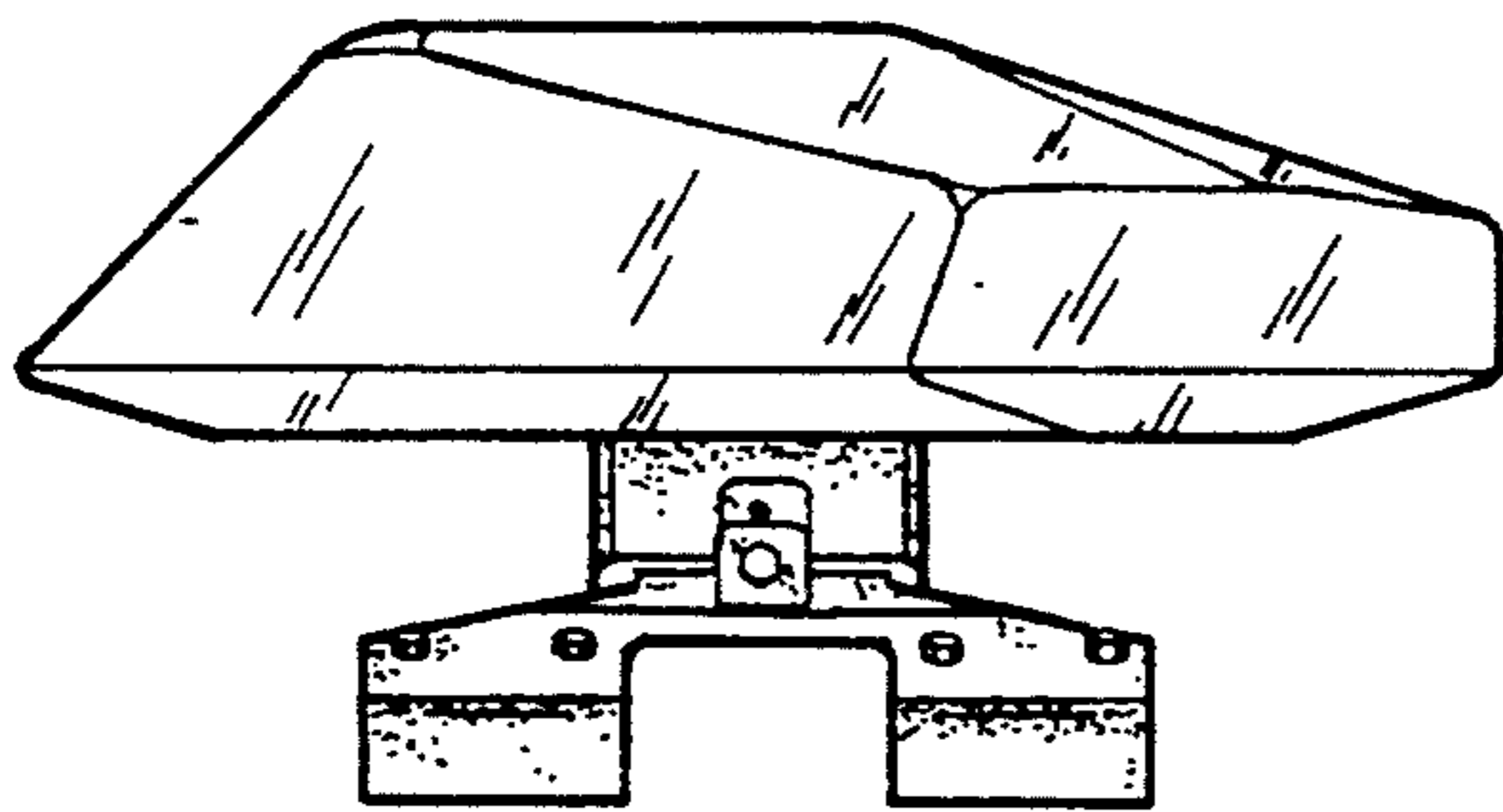


FIG. 4

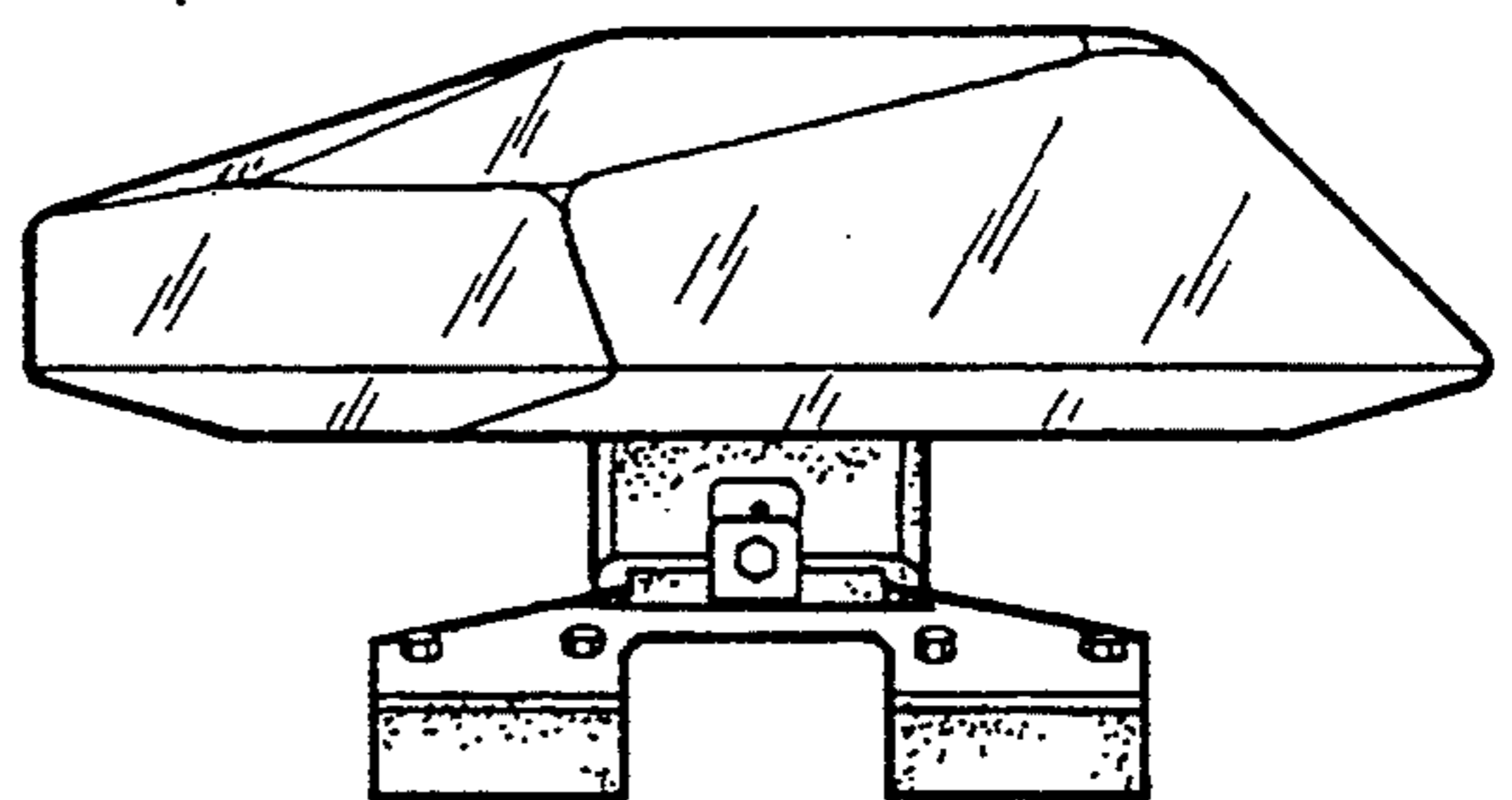


FIG. 5

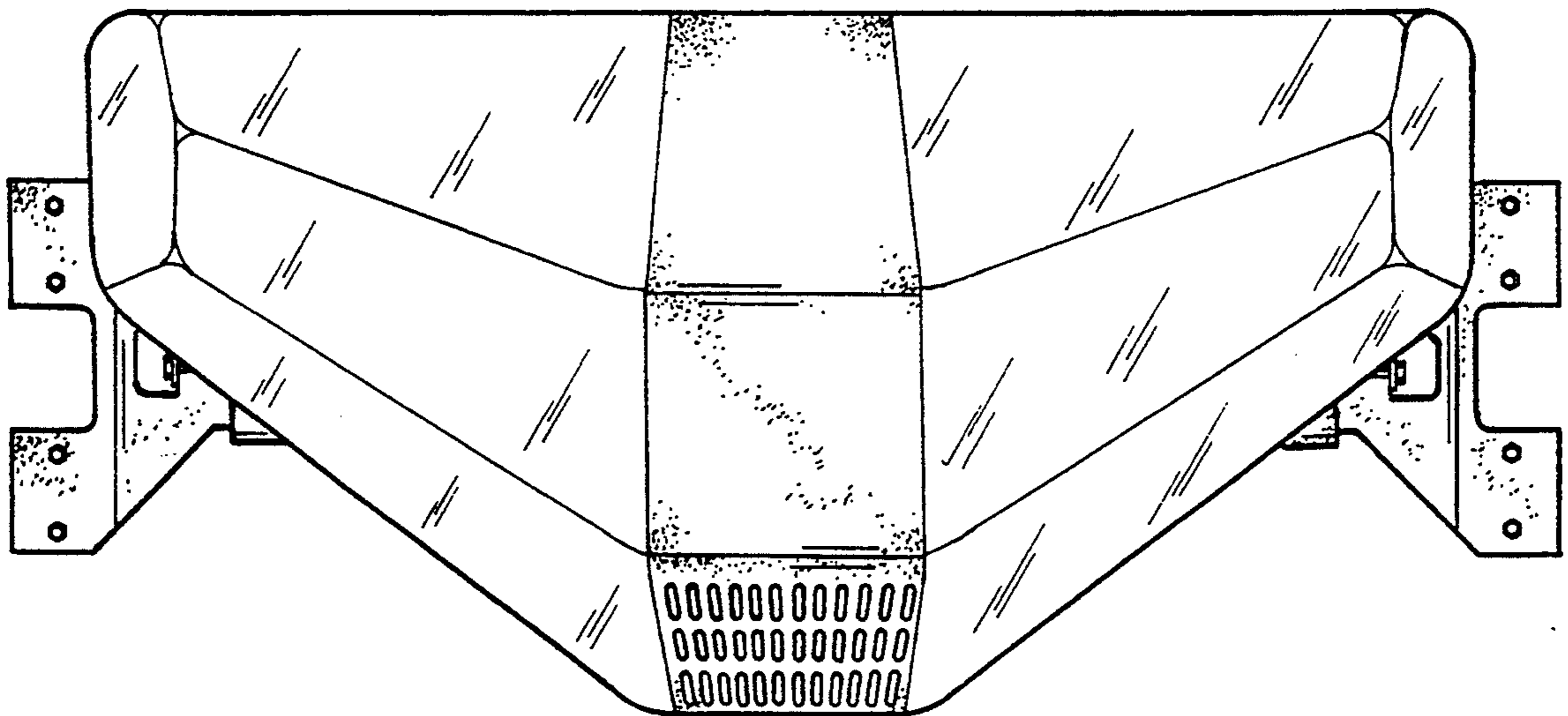


FIG. 6

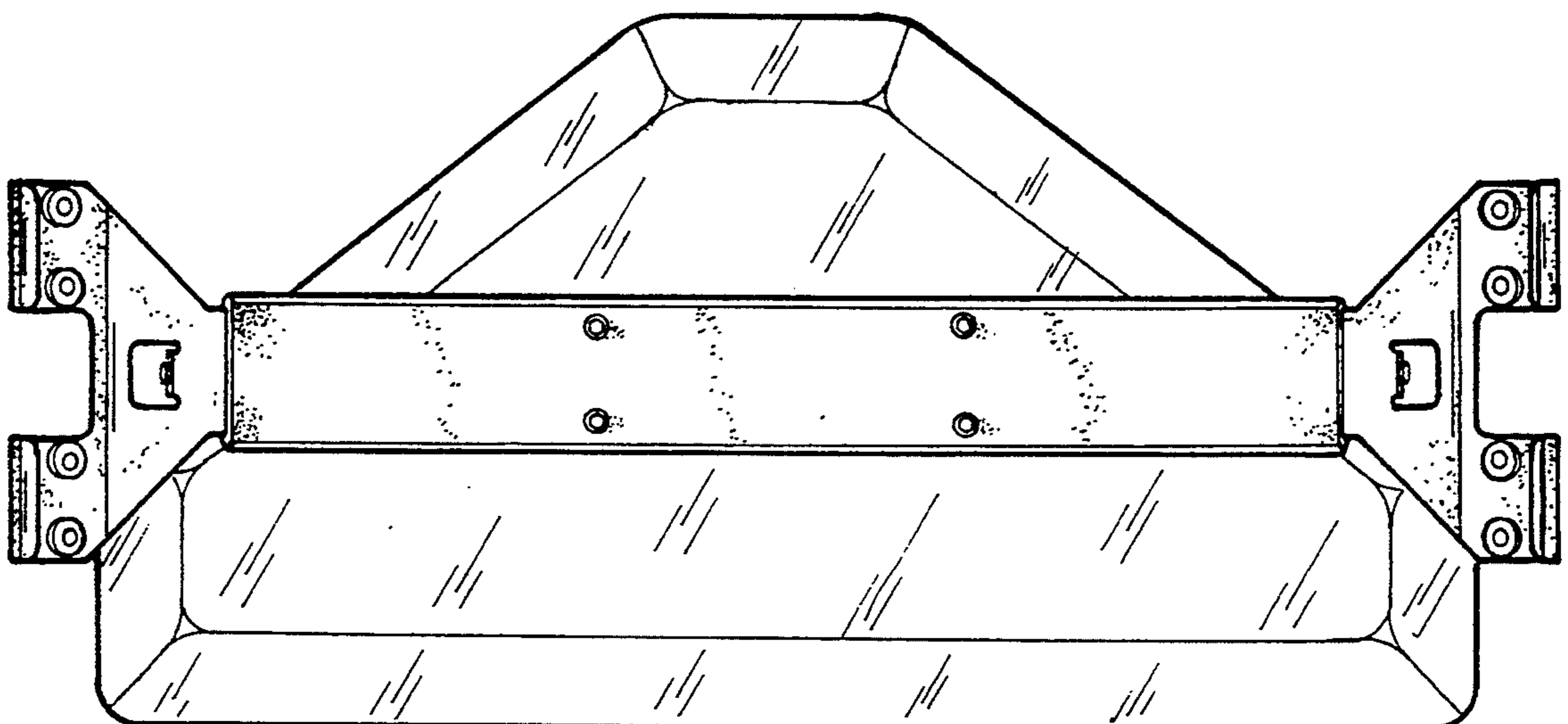


FIG. 7