



US00D355140S

United States Patent [19]

[11] Patent Number: **Des. 355,140**

Yamamura

[45] Date of Patent: **** Feb. 7, 1995**

[54] **ELECTRICAL MEASUREMENT METER**

D. 342,690 12/1993 Jue et al. D10/103

[76] Inventor: **Kunio Yamamura**, 12-20, Magamoto
2-Chome, Urawa-shi, Saitama-ken,
Japan

Primary Examiner—Alan P. Douglas
Assistant Examiner—Antoine D. Davis
Attorney, Agent, or Firm—Darby & Darby

[**] Term: **14 Years**

[57] **CLAIM**

[21] Appl. No.: **14,347**

The ornamental design for an electrical measurement meter, as shown and described.

[22] Filed: **Oct. 19, 1993**

[52] U.S. Cl. **D10/100; D10/46**

DESCRIPTION

[58] **Field of Search** D10/46, 75, 78, 77,
D10/100, 102, 103, 123-127; D13/177; 116/20
R, 28.1, 35 R, 36, 51-54, 62.1-62.4, DIG. 33,
36, 37, 47; 324/106.72, 95, 156 R, 140 D, 632,
638, 642, 646; 333/22 F, 84 B, 113, 26; 343/713,
717; 342/6, 171

FIG. 1 is a perspective view, as viewed from the right side of a electrical measurement meter, showing my new design;

FIG. 2 is a front elevational view thereof;

FIG. 3 is a top plan view thereof;

FIG. 4 is a right side view thereof, the left side view being mirror thereto;

FIG. 5 is a rear elevational view thereof;

FIG. 6 is a bottom plan view thereof;

FIG. 7 is a perspective view from the right side of a modified embodiment of the meter; and,

FIG. 8 is a front elevational view thereof.

[56] References Cited

U.S. PATENT DOCUMENTS

- D. 196,975 11/1963 Dsenis et al. D10/102 X
- D. 206,550 12/1966 Cumming D10/102
- D. 218,431 8/1970 Shimasaki D10/102 X

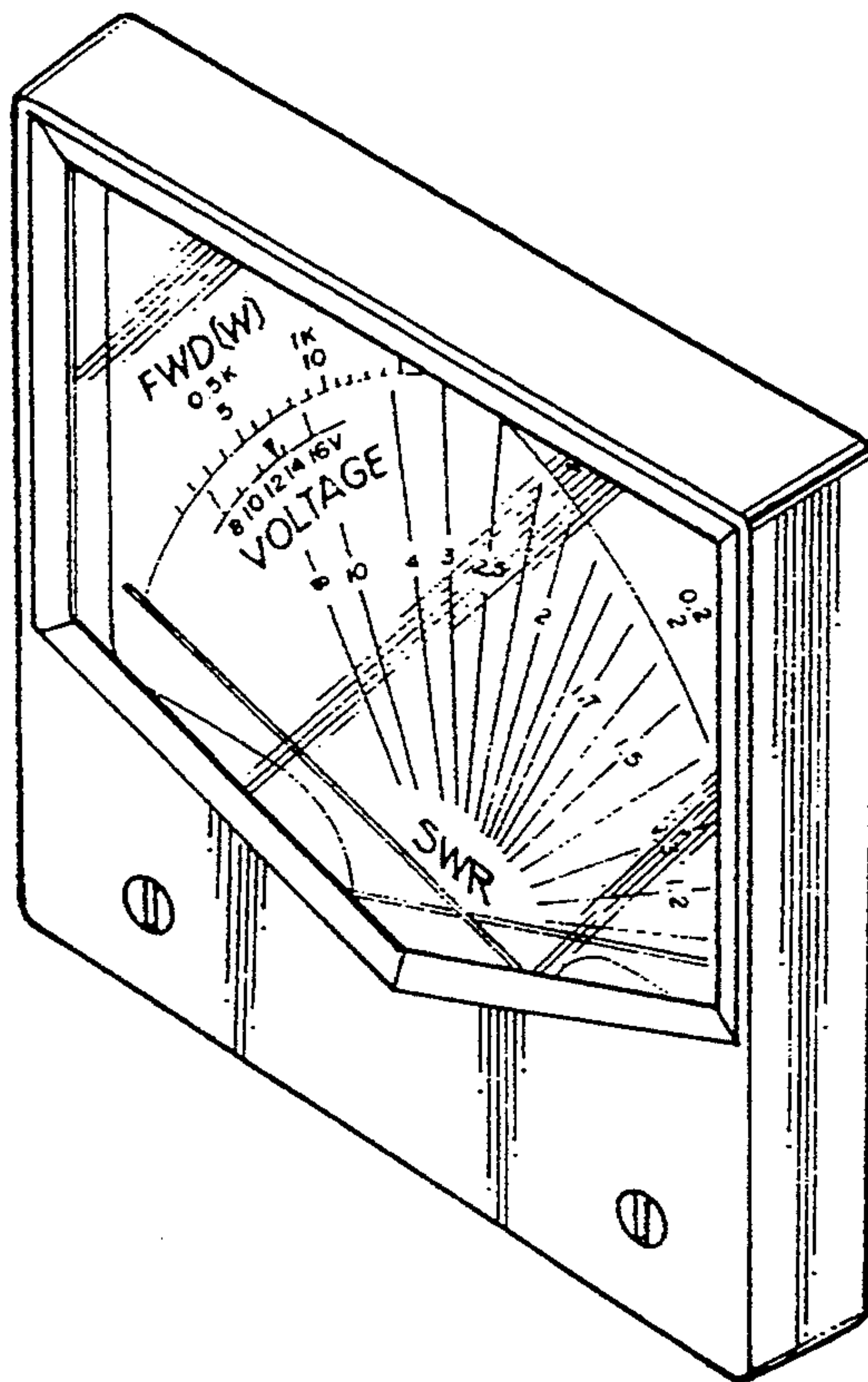


FIG. 1

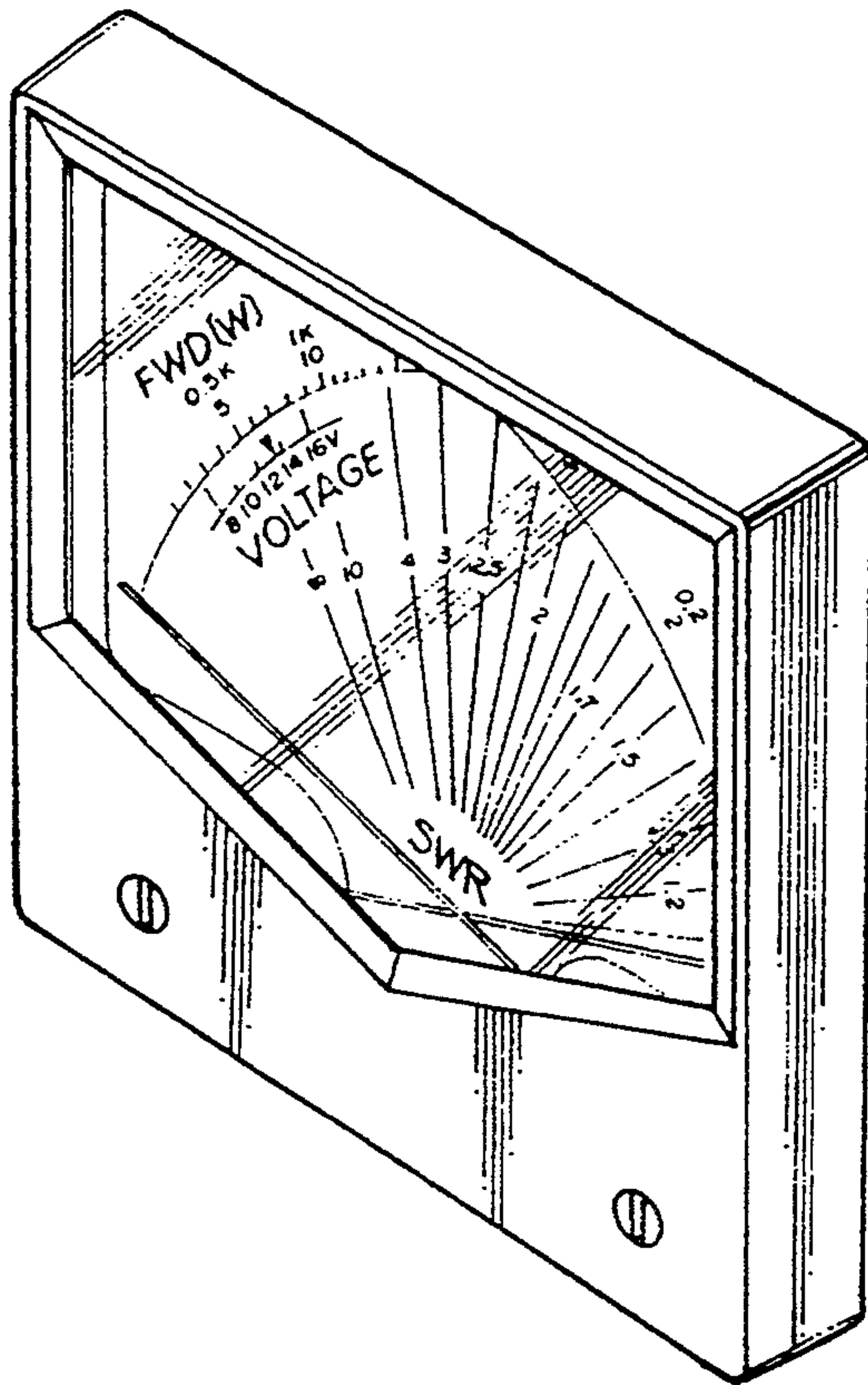


FIG. 2

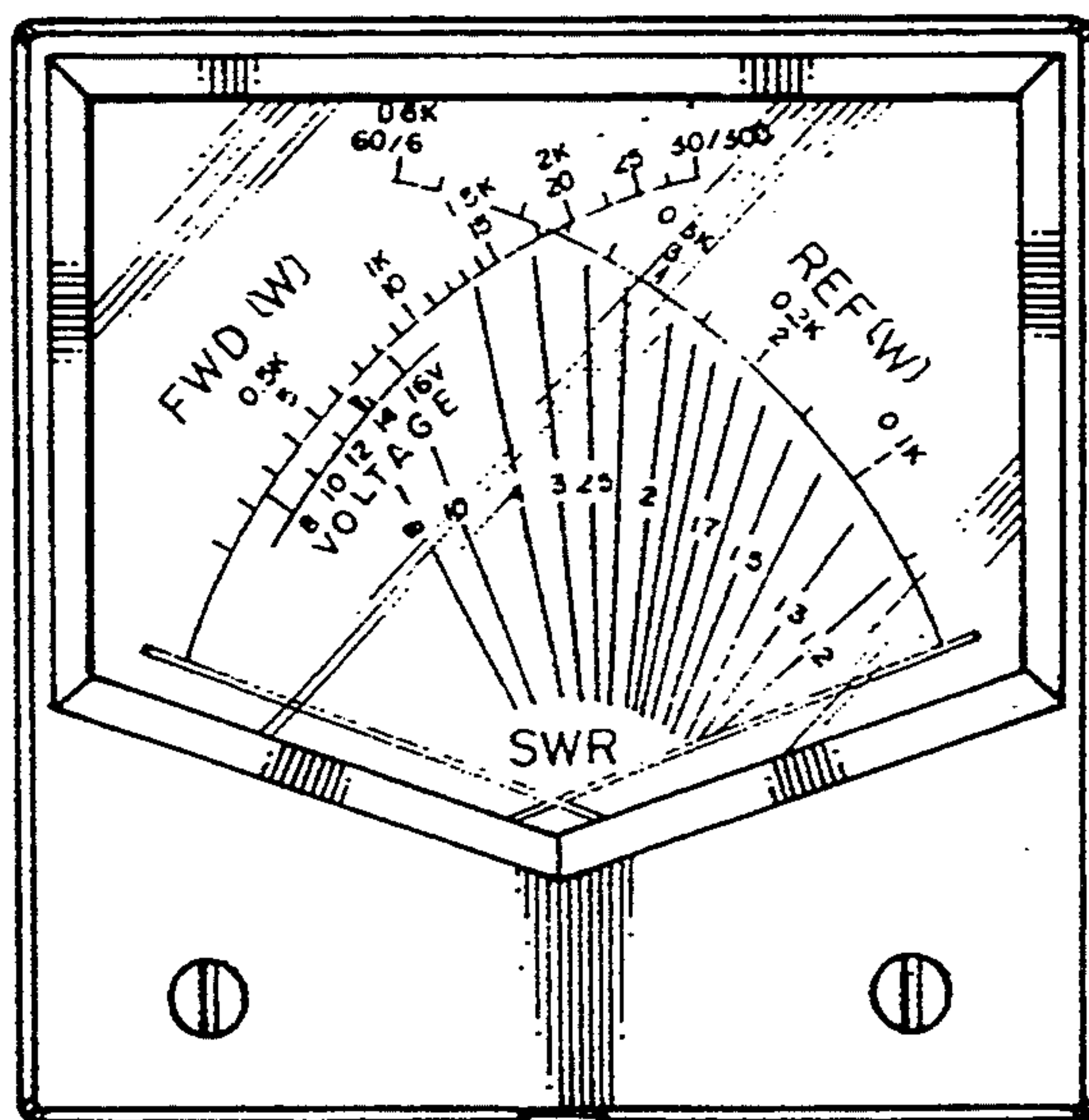


FIG. 3

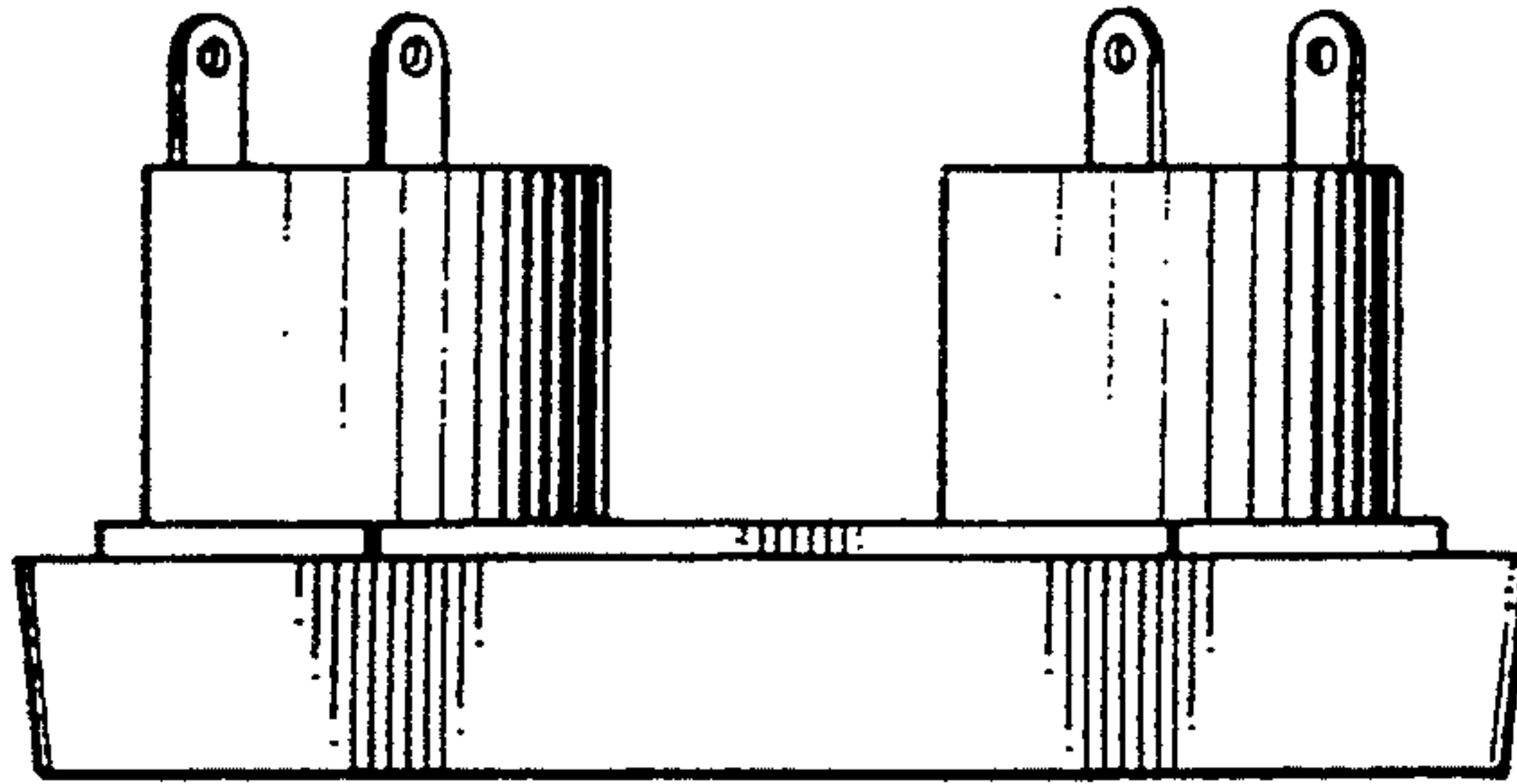


FIG. 4

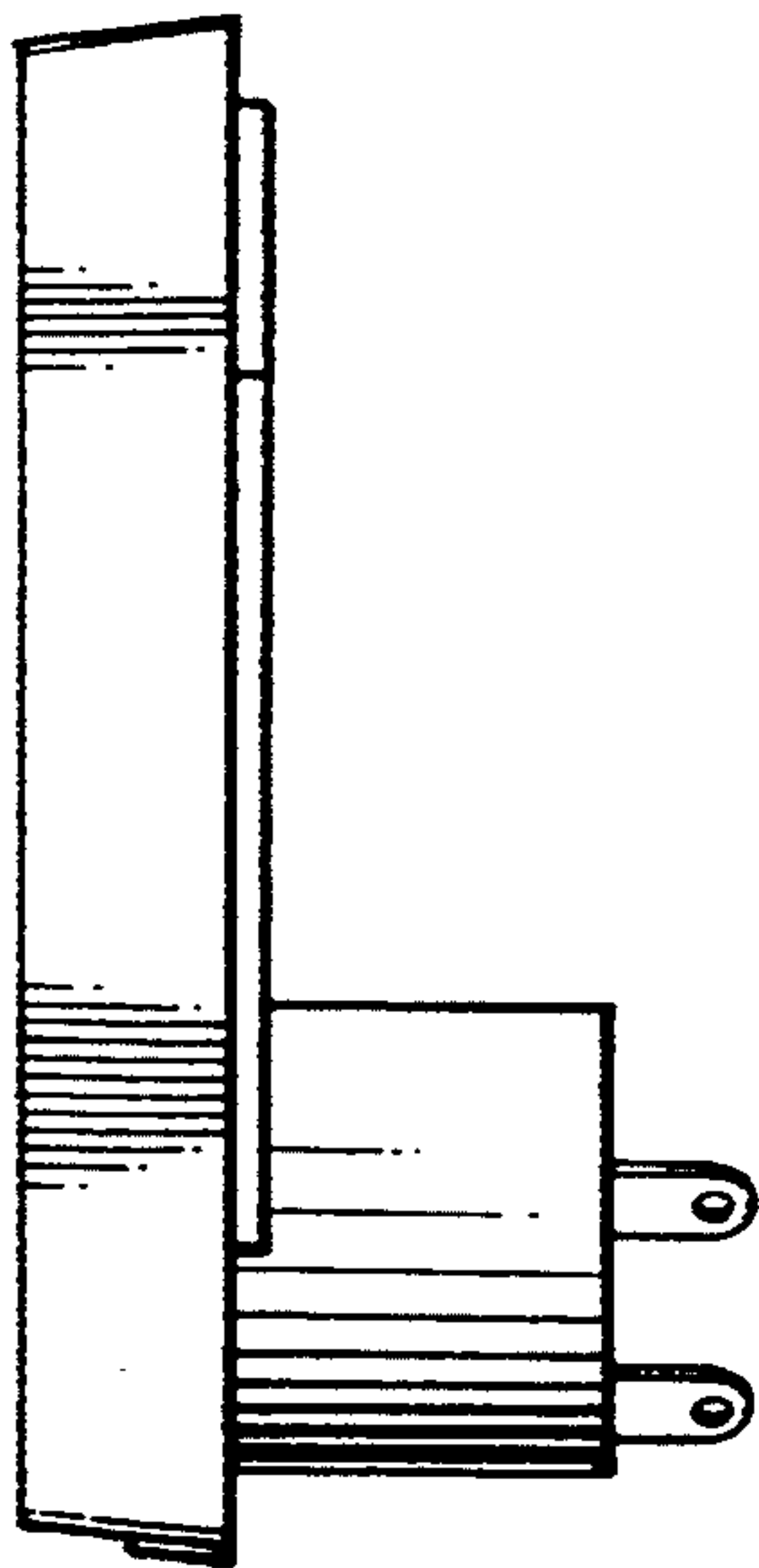


FIG. 5

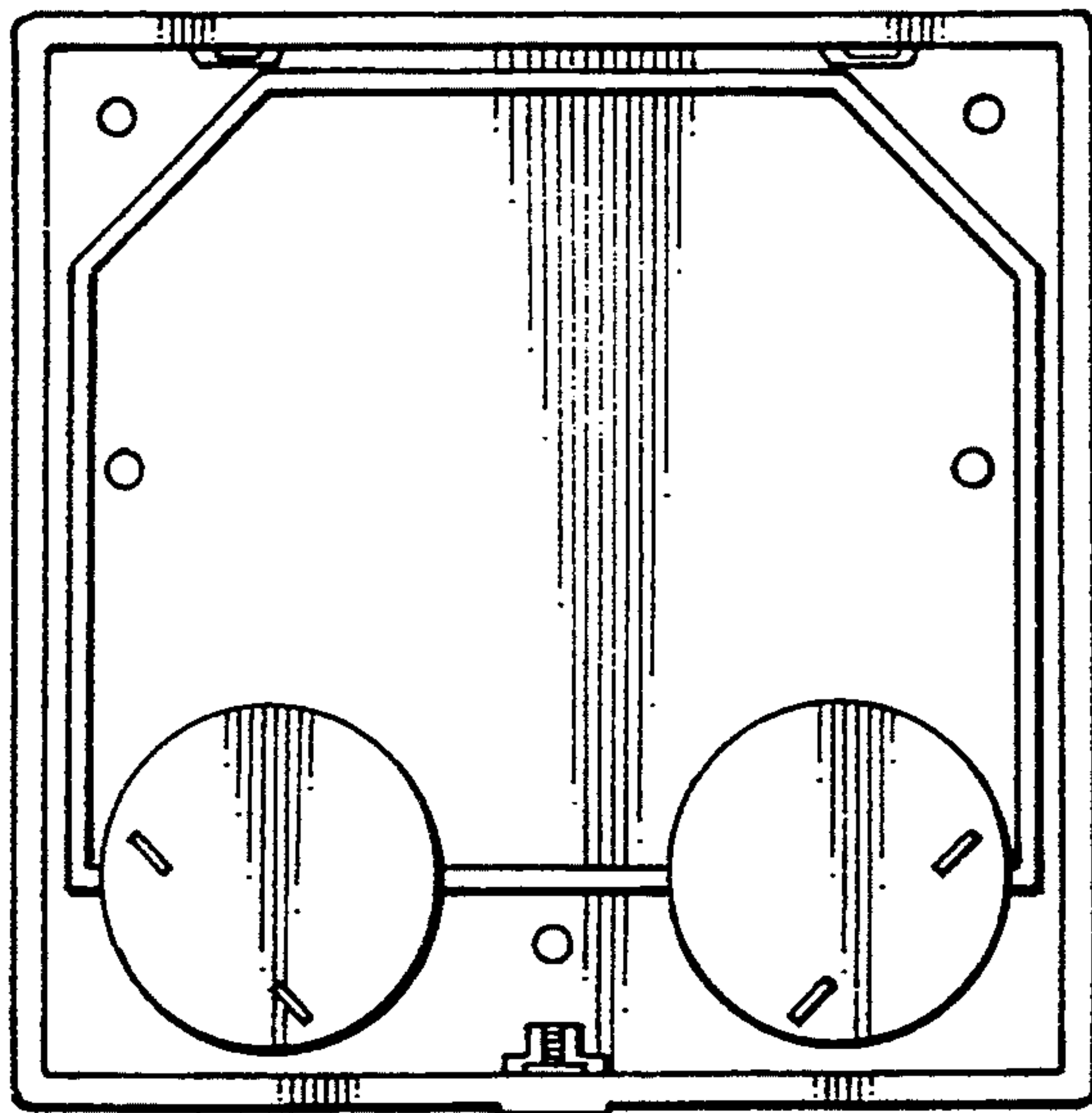


FIG. 6

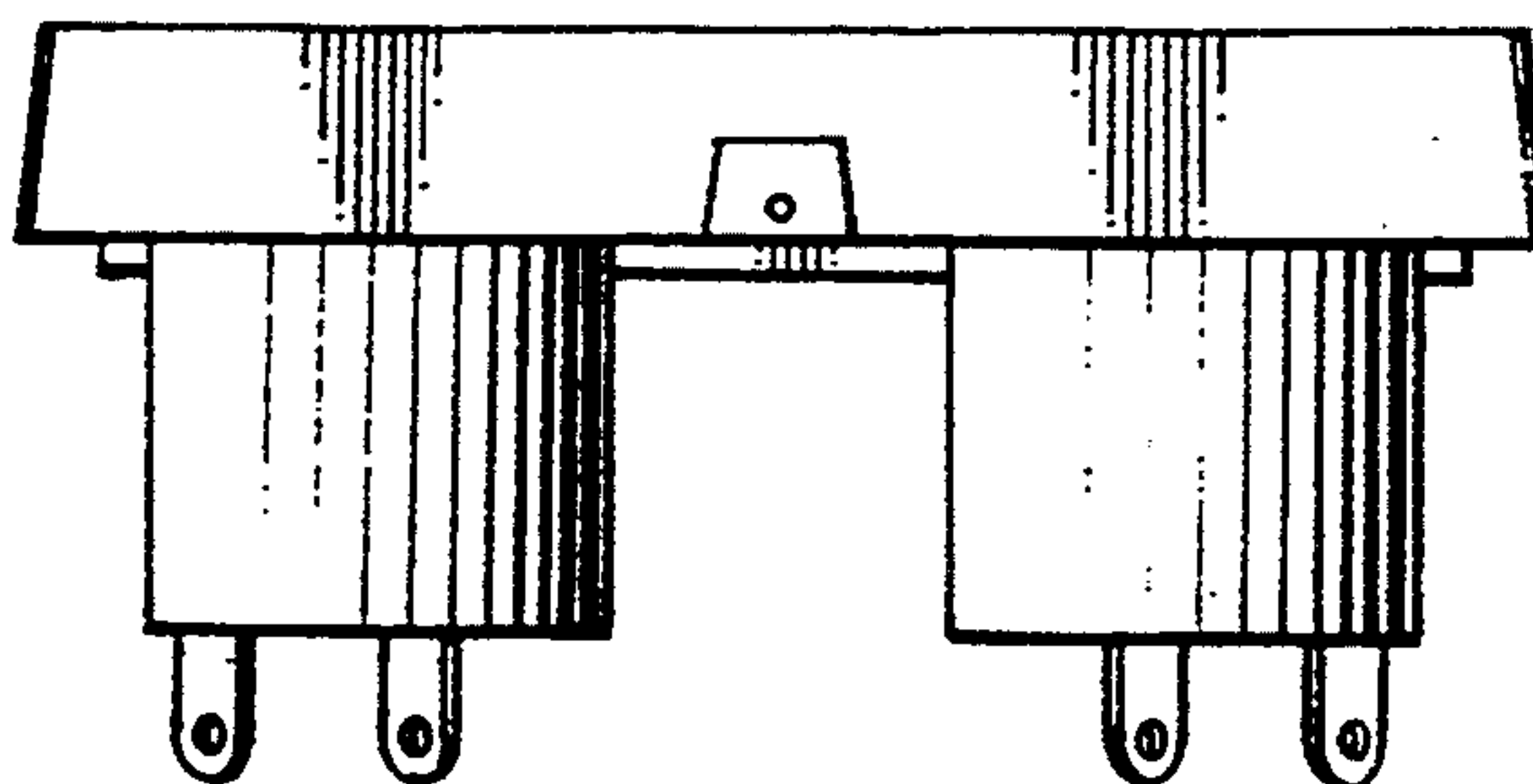


FIG. 7

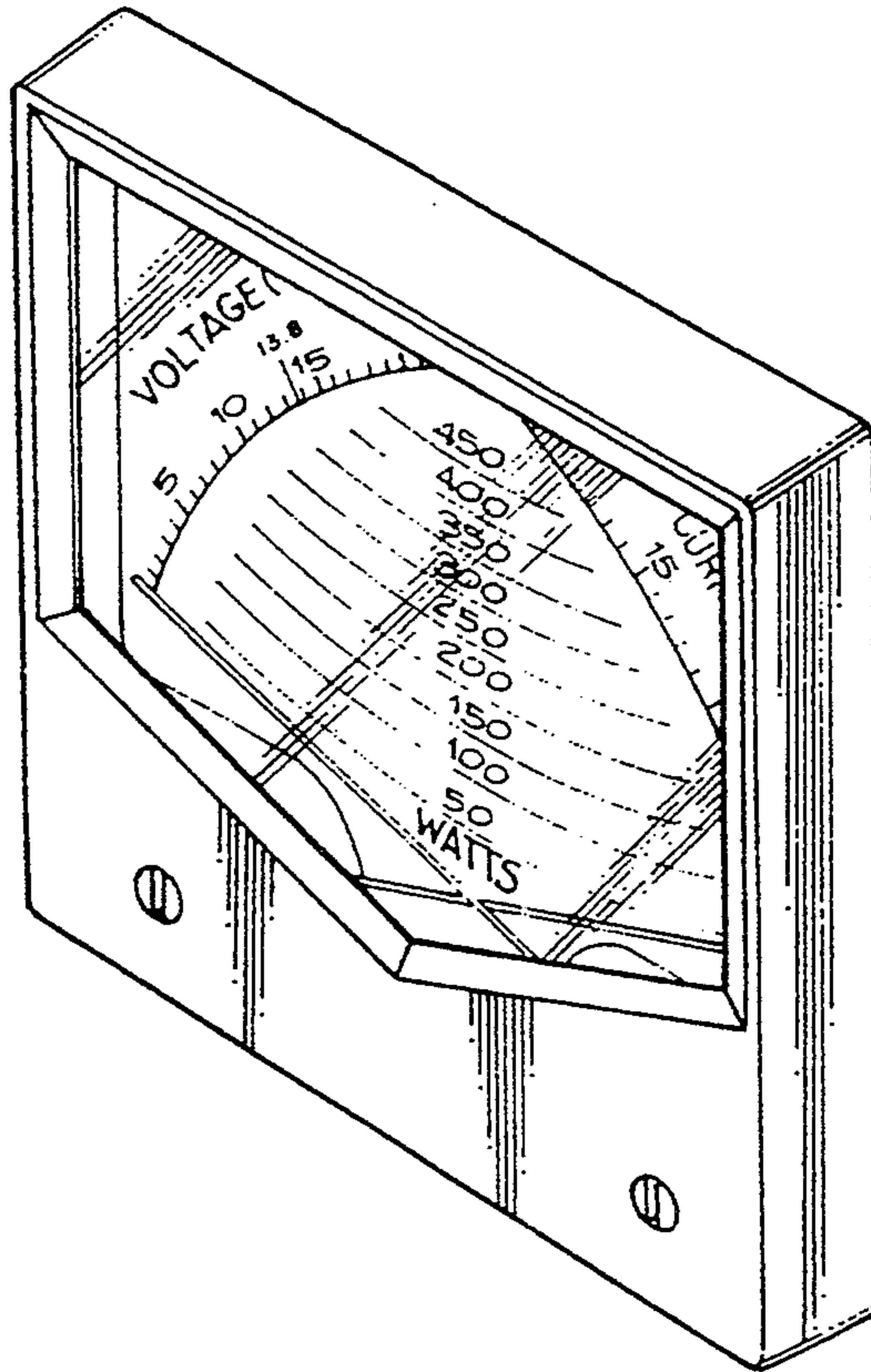


FIG. 8

