



US00D355137S

United States Patent [19]

[11] Patent Number: **Des. 355,137**

DeVeau, Jr. et al.

[45] Date of Patent: **** Feb. 7, 1995**

[54] **OPTICAL SPLICE VERIFICATION UNIT**

4,452,506 6/1984 Reeve et al. 250/227.24
4,475,789 10/1984 Kahn 385/95

[75] Inventors: **George F. DeVeau, Jr., Stone Mountain; Walter S. Konik, Lilburn; Joel L. Mock, Norcross, all of Ga.**

Primary Examiner—Alan P. Douglas
Assistant Examiner—Antoine D. Davis
Attorney, Agent, or Firm—Donald E. Hayes, Jr.

[73] Assignee: **AT&T Corp., Murray Hill, N.J.**

[57] **CLAIM**

[**] Term: **14 Years**

The ornamental design for an optical splice verification unit, as shown and described.

[21] Appl. No.: **954,851**

DESCRIPTION

[22] Filed: **Sep. 30, 1992**

[52] U.S. Cl. **D10/75; D10/46**

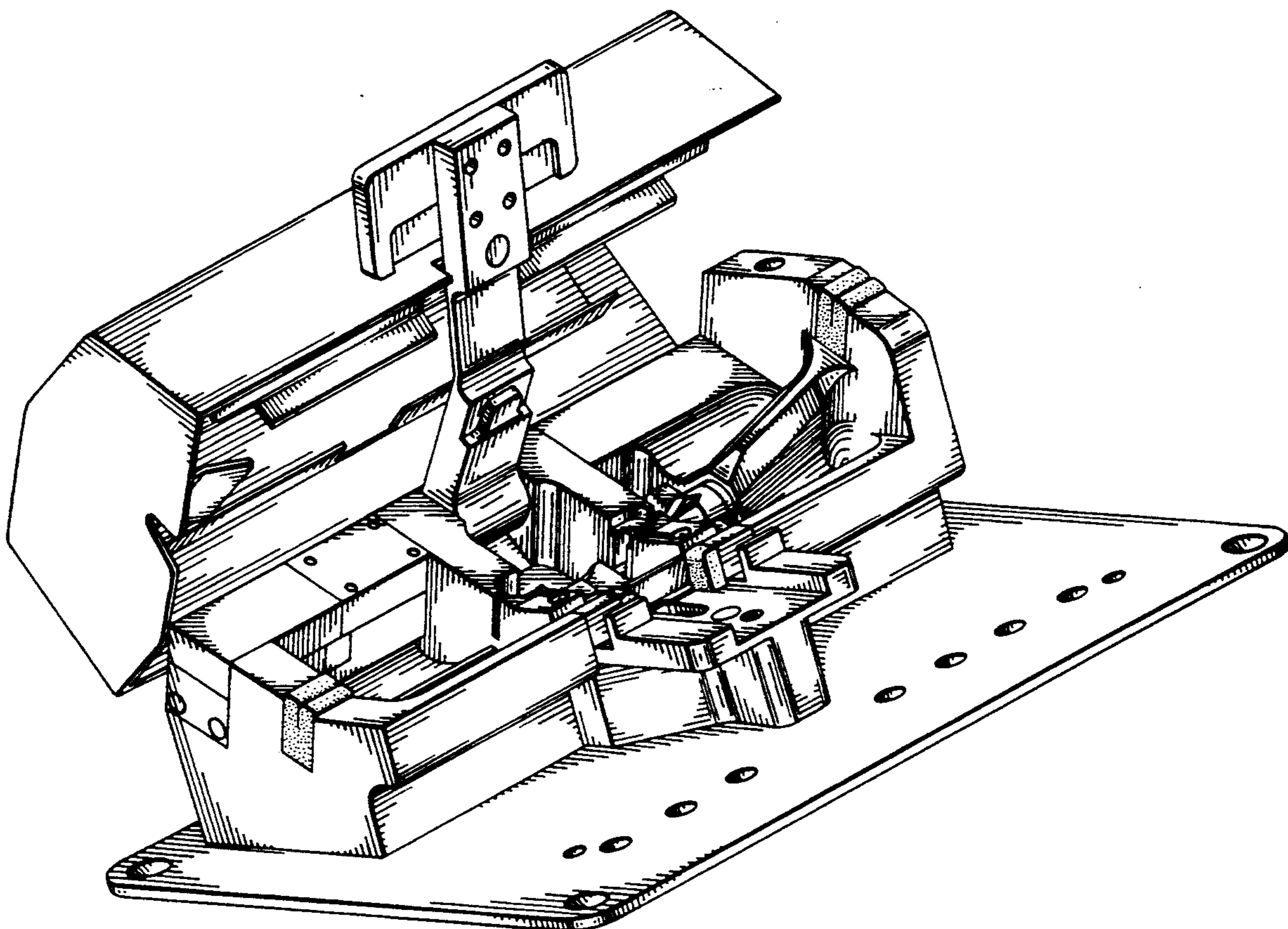
[58] Field of Search **D10/75, 46; 350/96.21; 385/134, 97, 96, 95; 250/227.24, 227.28**

FIG. 1 is a perspective view of an optical splice verification unit showing our new design; FIG. 2 is a top plan view; FIG. 3 is a left side elevational view; FIG. 4 is a right side elevational view; FIG. 5 is a front elevational view; FIG. 6 is a rear elevational view; and, FIG. 7 is a bottom plan view thereof.

[56] **References Cited**

U.S. PATENT DOCUMENTS

4,191,446 3/1980 Arditty et al. 250/227.24 X



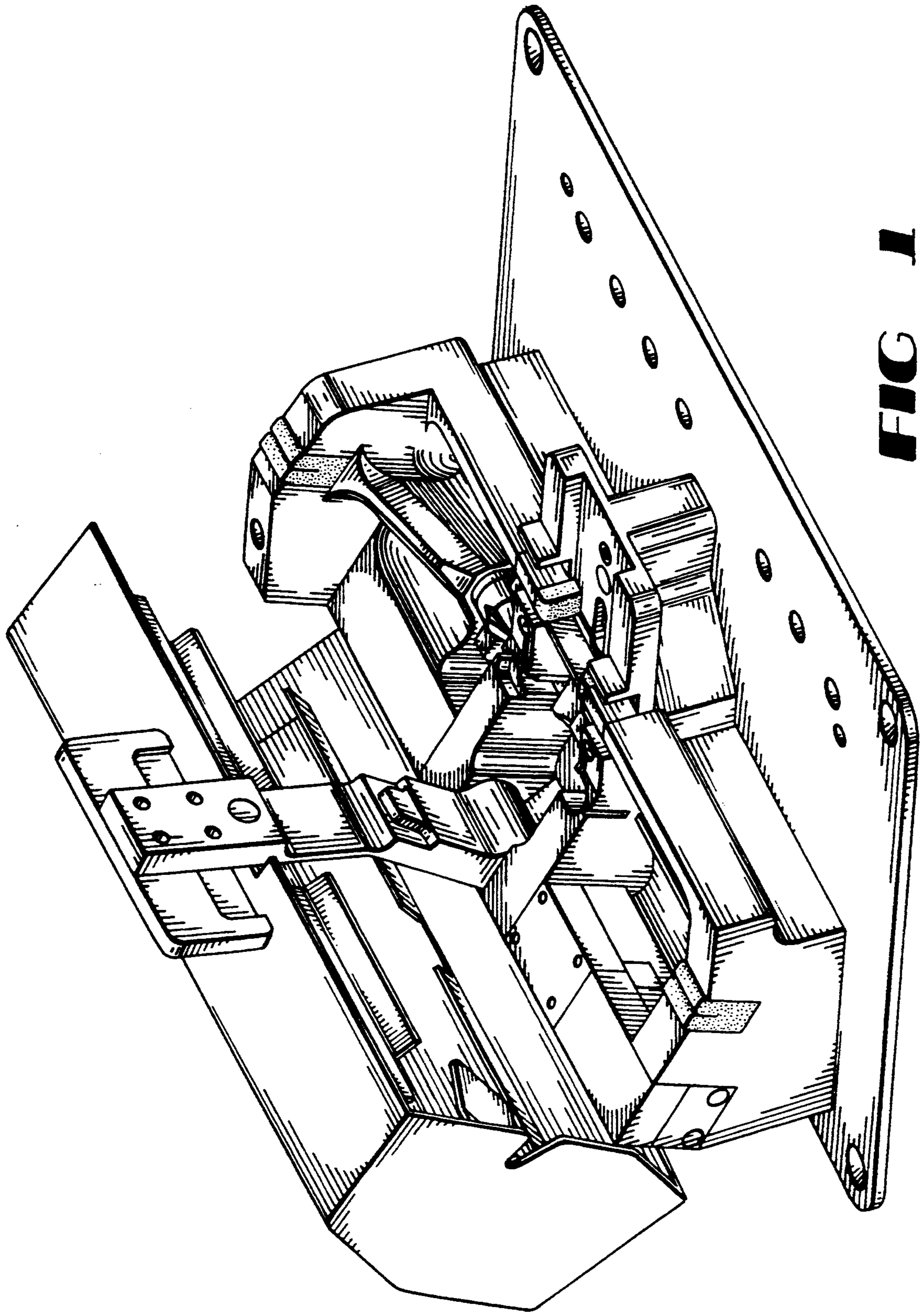


FIG. 1

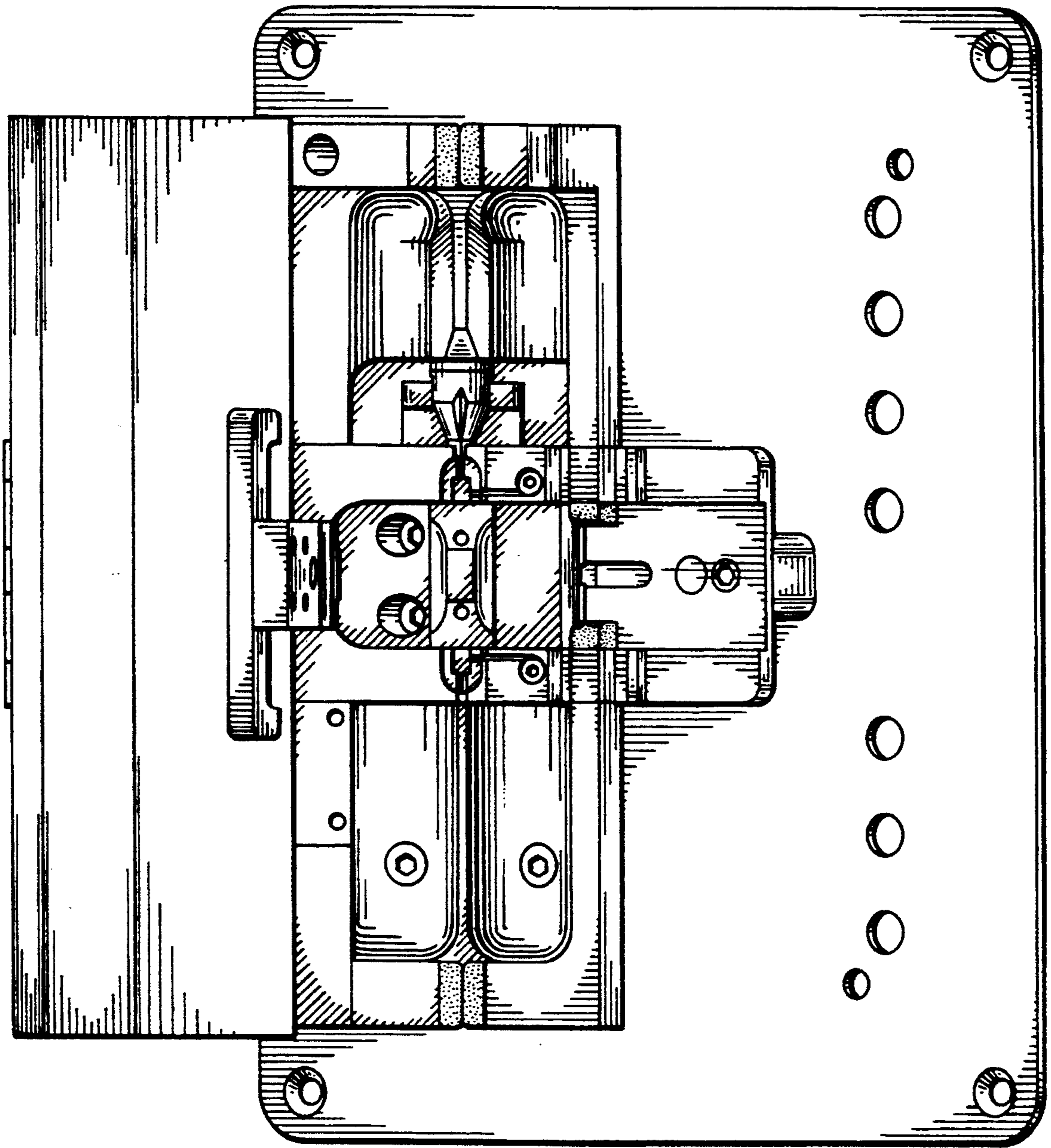


FIG 2

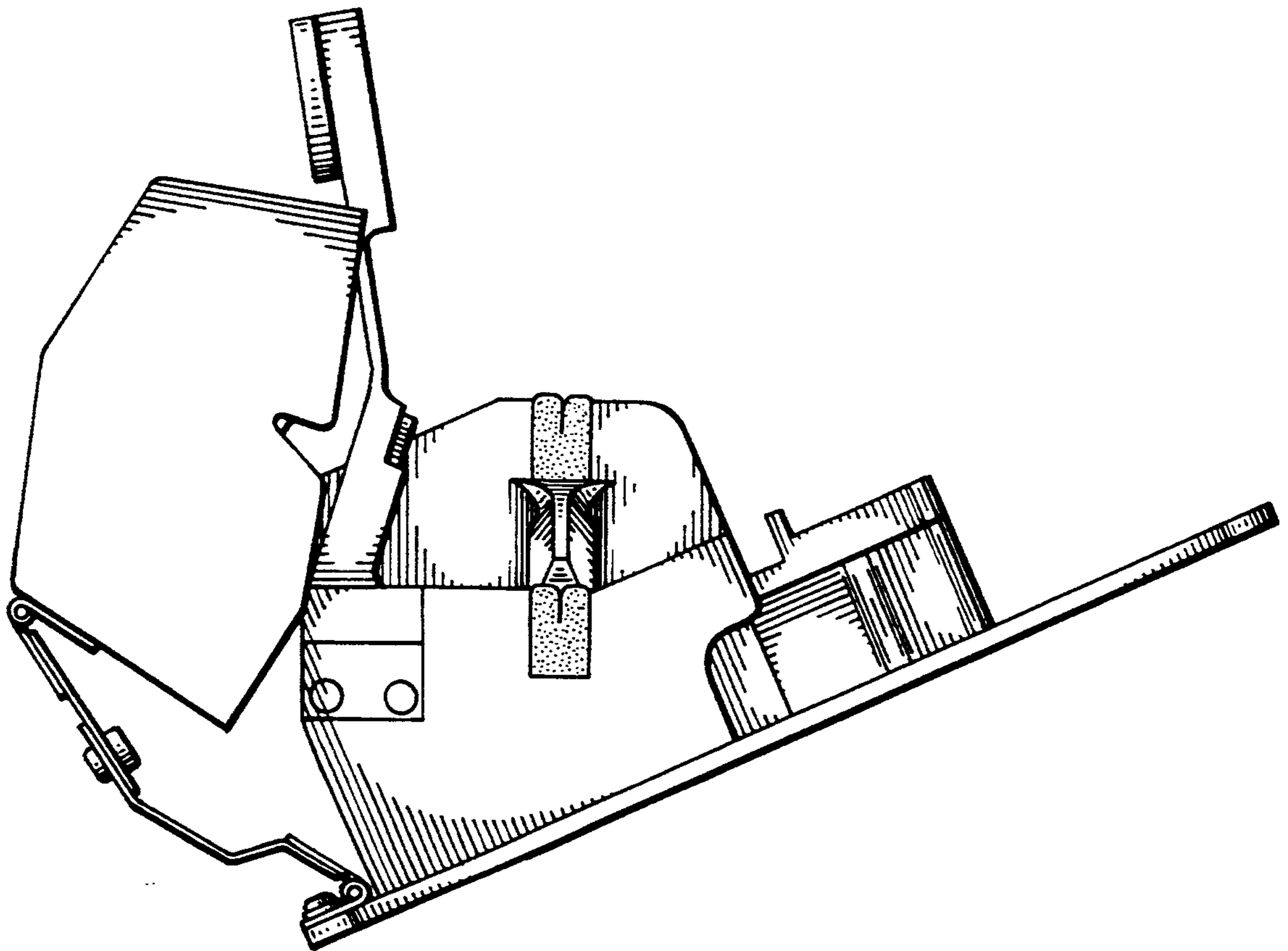


FIG 3

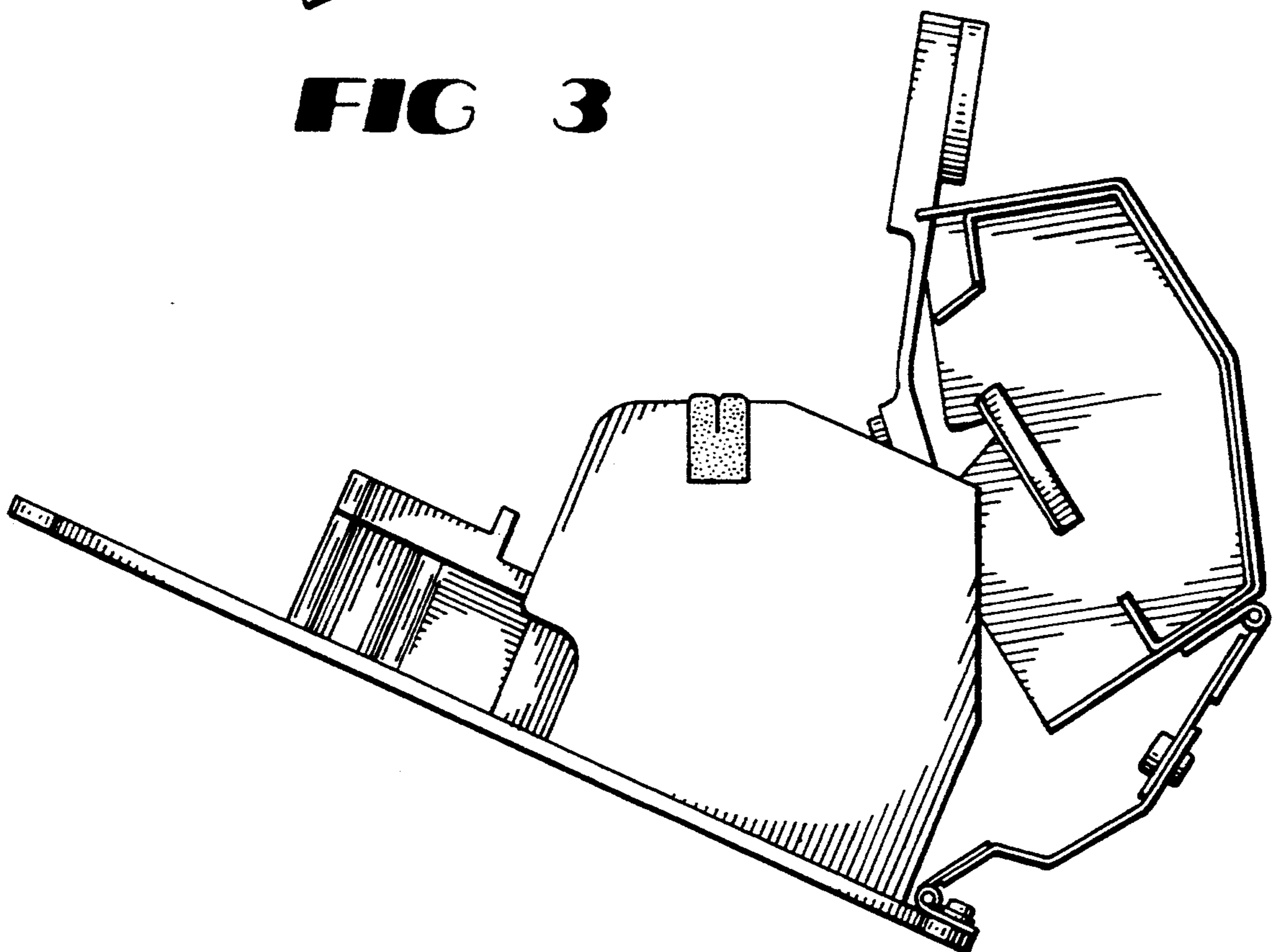


FIG 4

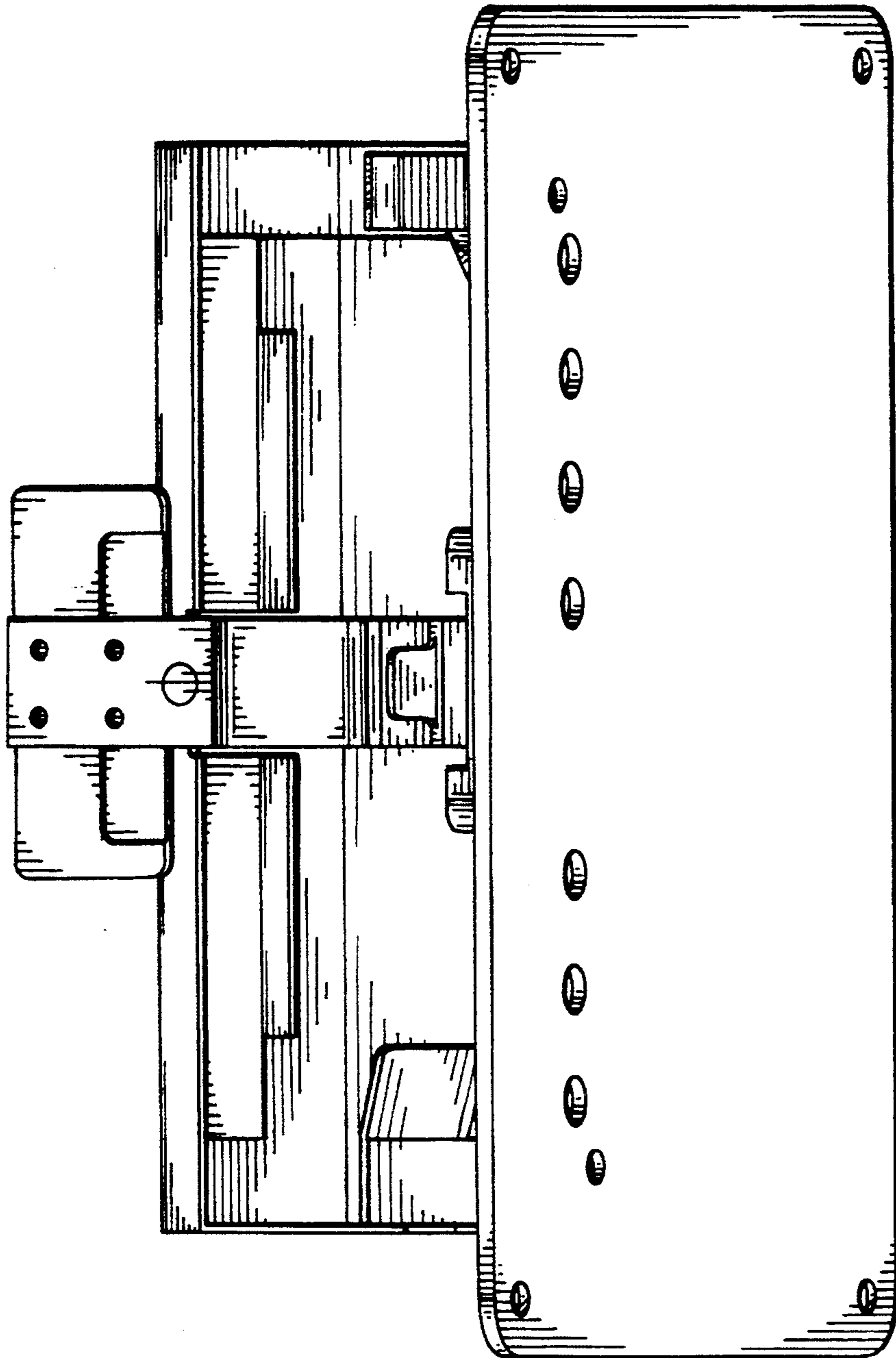


FIG 5

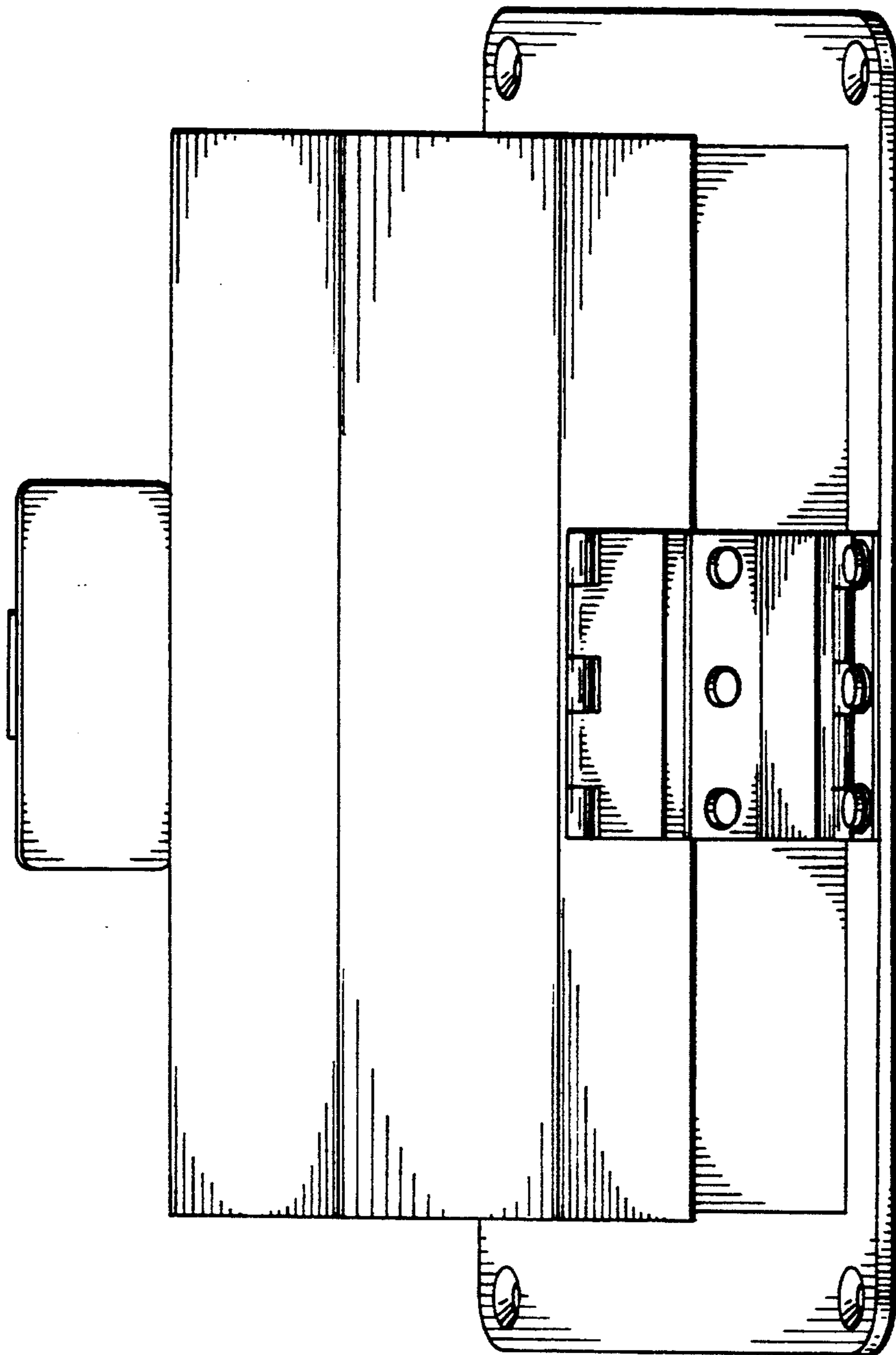


FIG 6

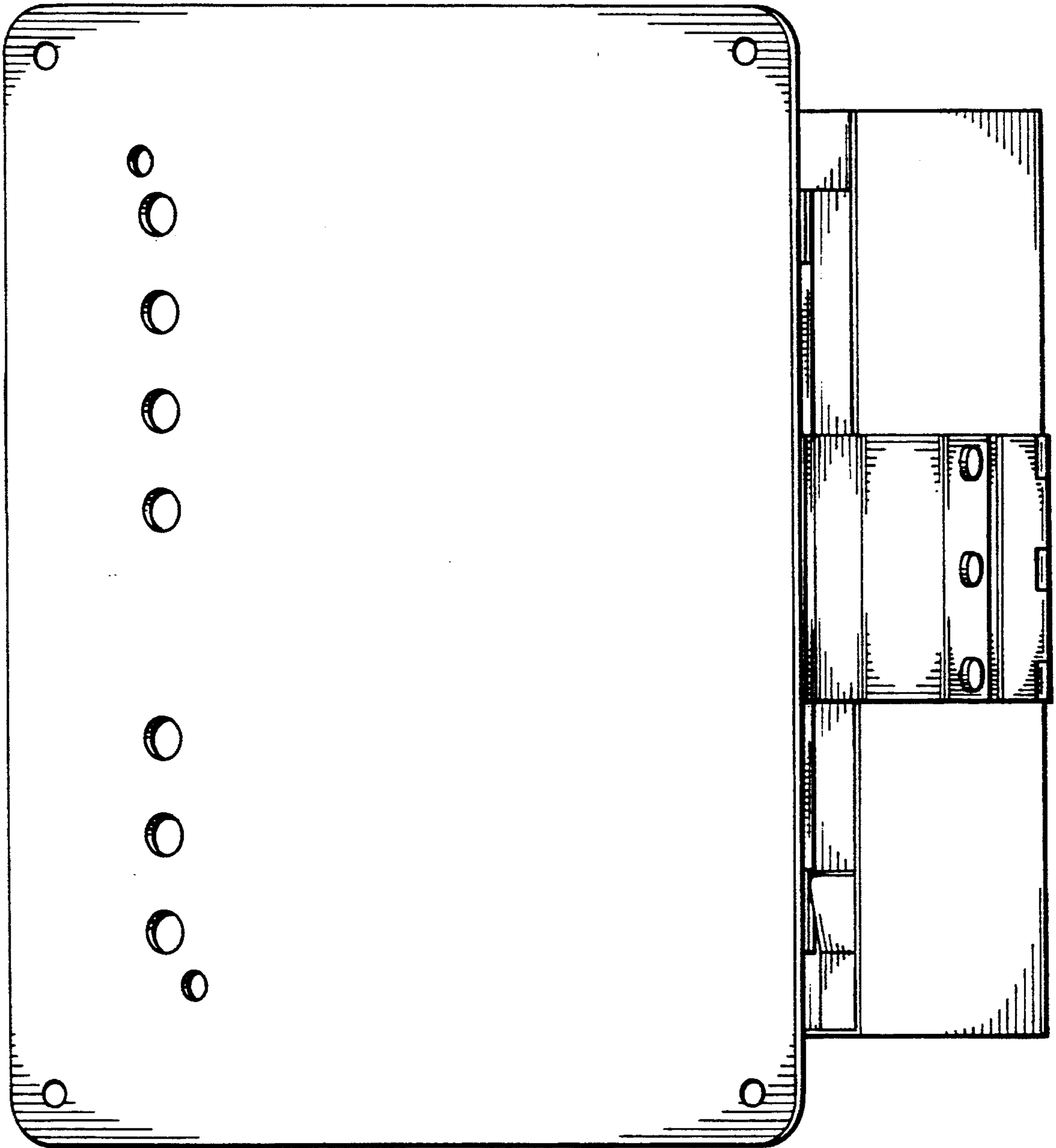


FIG 7