



US00D355135S

United States Patent [19]

[11] Patent Number: **Des. 355,135**

Dun

[45] Date of Patent: **** Feb. 7, 1995**

[54] **CLOCK**

[75] Inventor: **Ho S. Dun, Hong Kong, Hong Kong**

[73] Assignee: **King's Manufacturing Co. Ltd., Hong Kong**

[**] Term: **14 Years**

[21] Appl. No.: **905,651**

[22] Filed: **Jun. 30, 1992**

[30] **Foreign Application Priority Data**

Dec. 30, 1991 [GB] United Kingdom 2019885

[52] U.S. Cl. **D10/24; D10/25**

[58] Field of Search D10/1-40,
D10/122-132; 368/179-180, 276-277, 285

[56] **References Cited**

U.S. PATENT DOCUMENTS

- D. 315,683 3/1991 Odaka D10/24
- D. 316,043 4/1991 Takashima D10/25
- D. 322,408 12/1991 Odaka D10/26

OTHER PUBLICATIONS

Jeweler's Circular-Keystone-4/72-p. 16-Pendulum Clock near center.

Retailing Home Furnishings-Jan. 17, 1977-Sec. 3-p. 40-Pend. Clock at top right.

Primary Examiner—Nelson C. Holtje
Attorney, Agent, or Firm—Burns, Doane, Swecker & Mathis

[57] **CLAIM**

The ornamental design for a clock, as shown and described.

DESCRIPTION

FIG. 1 is a front elevational view of a clock showing my new design;

FIG. 2 is a rear elevational view thereof;

FIG. 3 is a left-side view thereof;

FIG. 4 is a right-side view thereof;

FIG. 5 is a top plan view thereof; and,

FIG. 6 is a bottom view thereof.

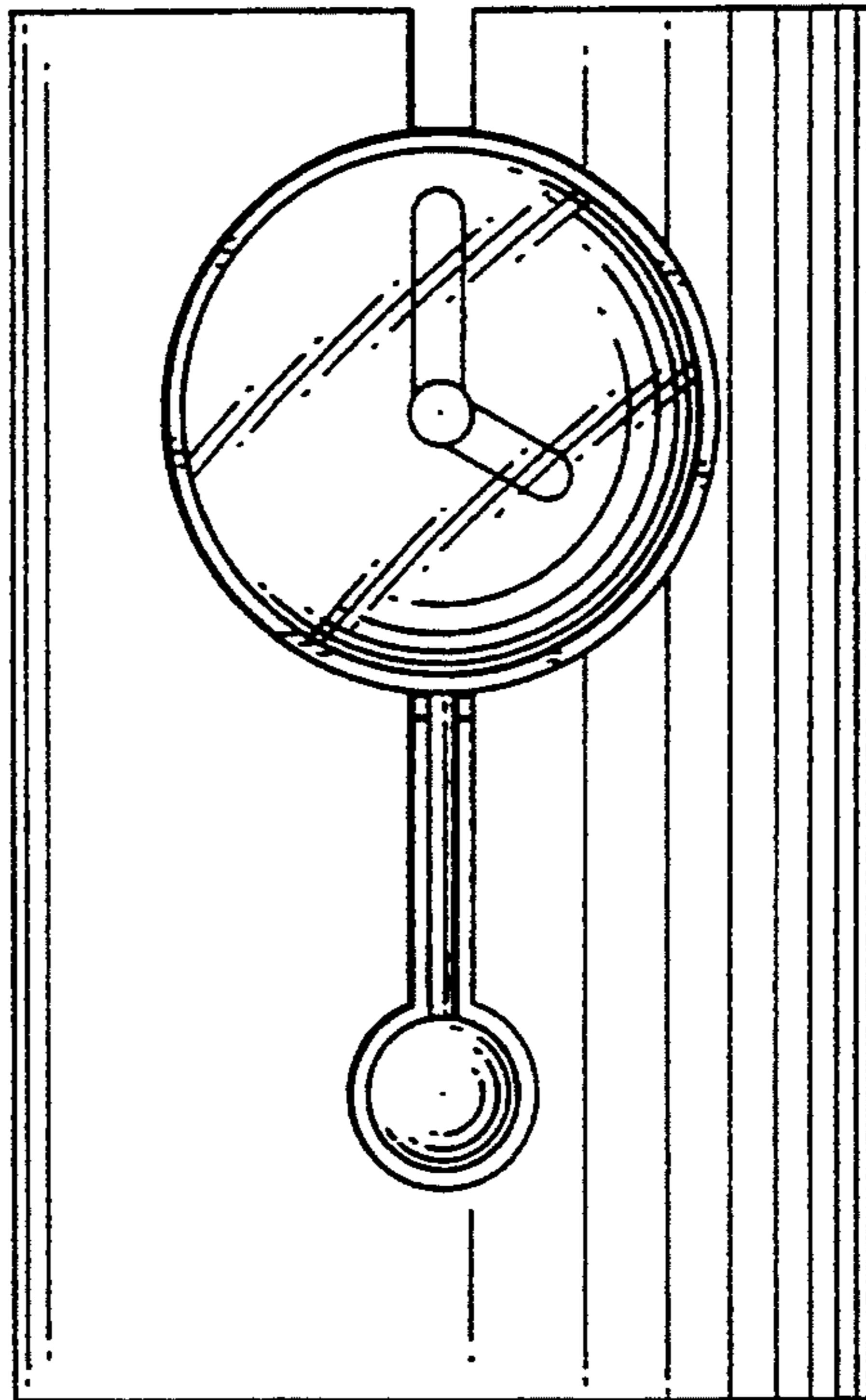


FIG. 1

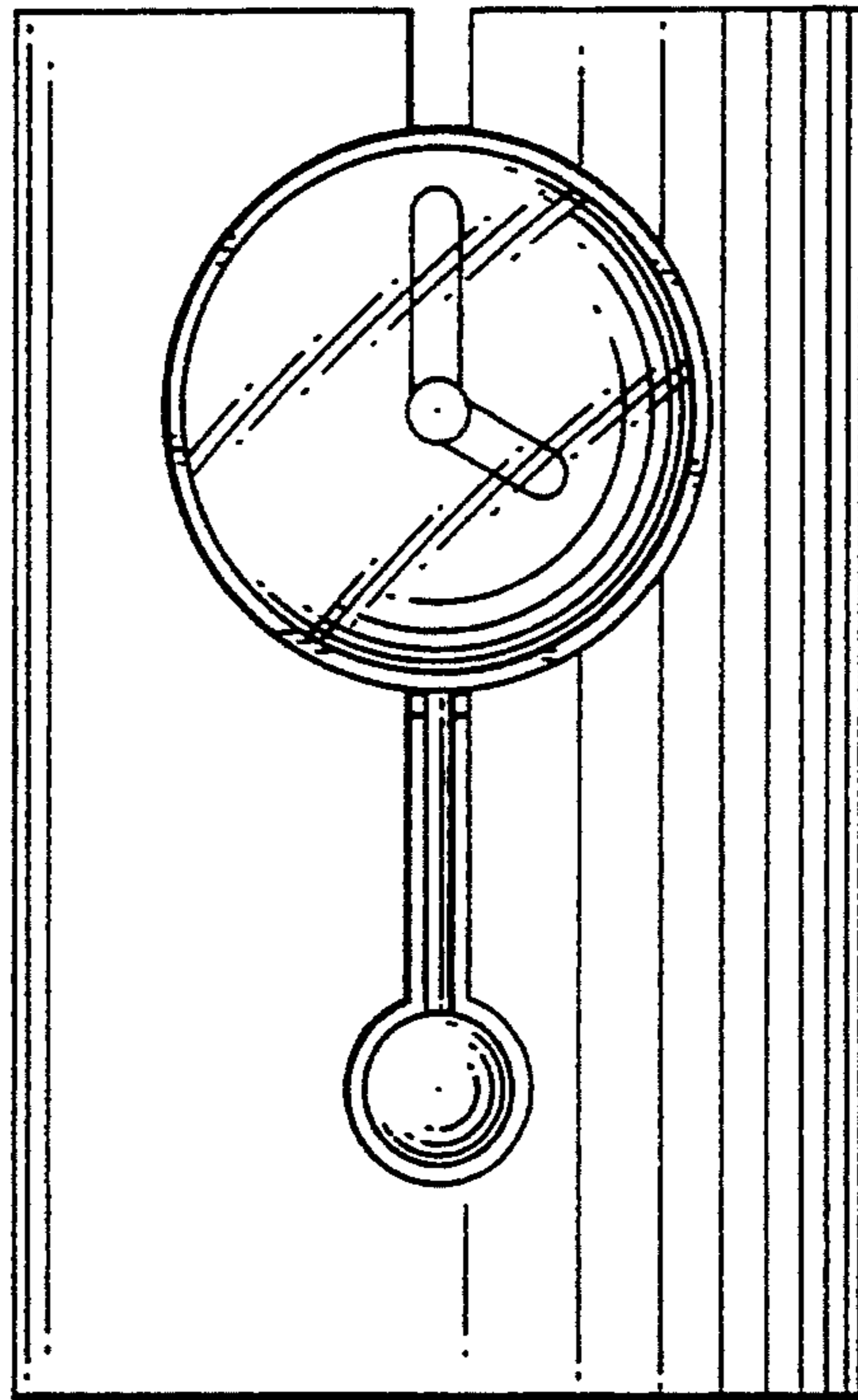


FIG. 2

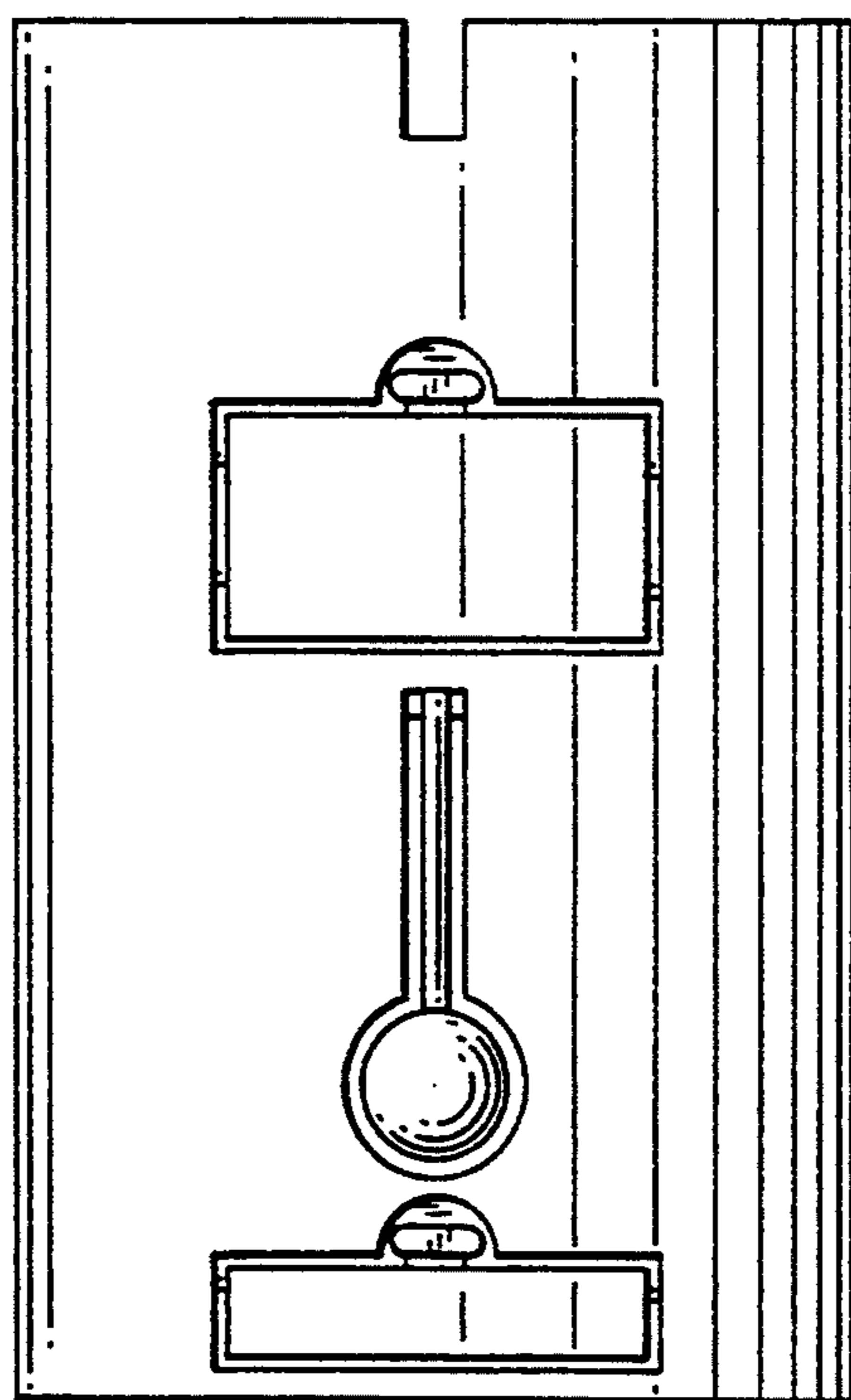


FIG. 3

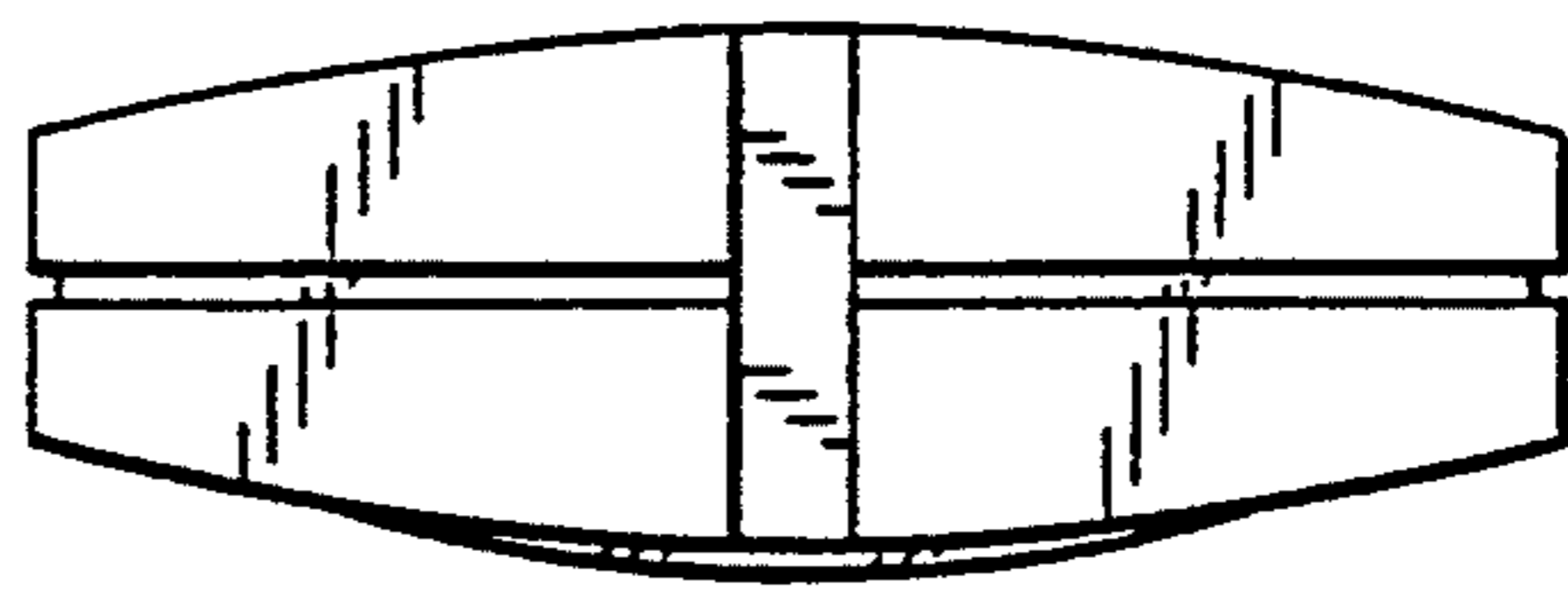
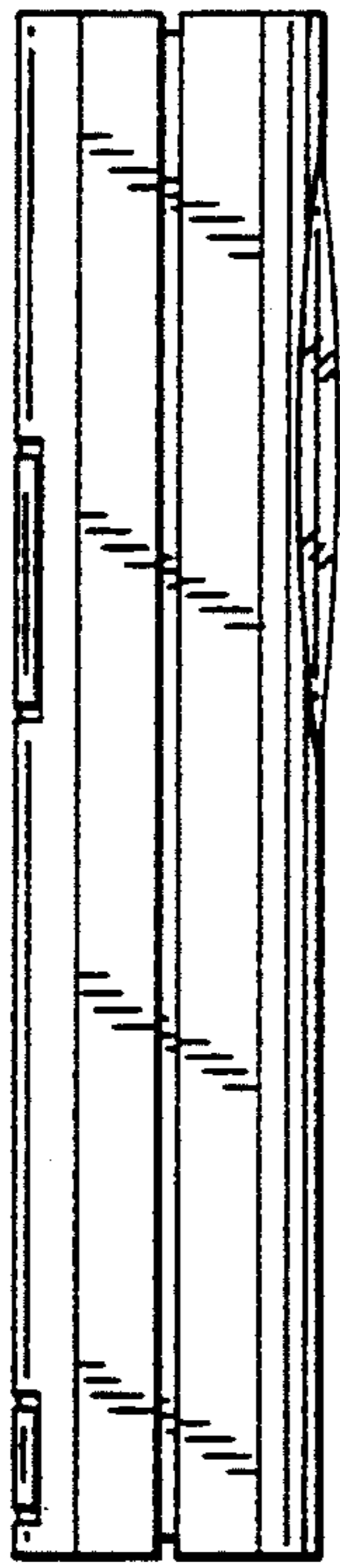


FIG. 5

FIG. 4

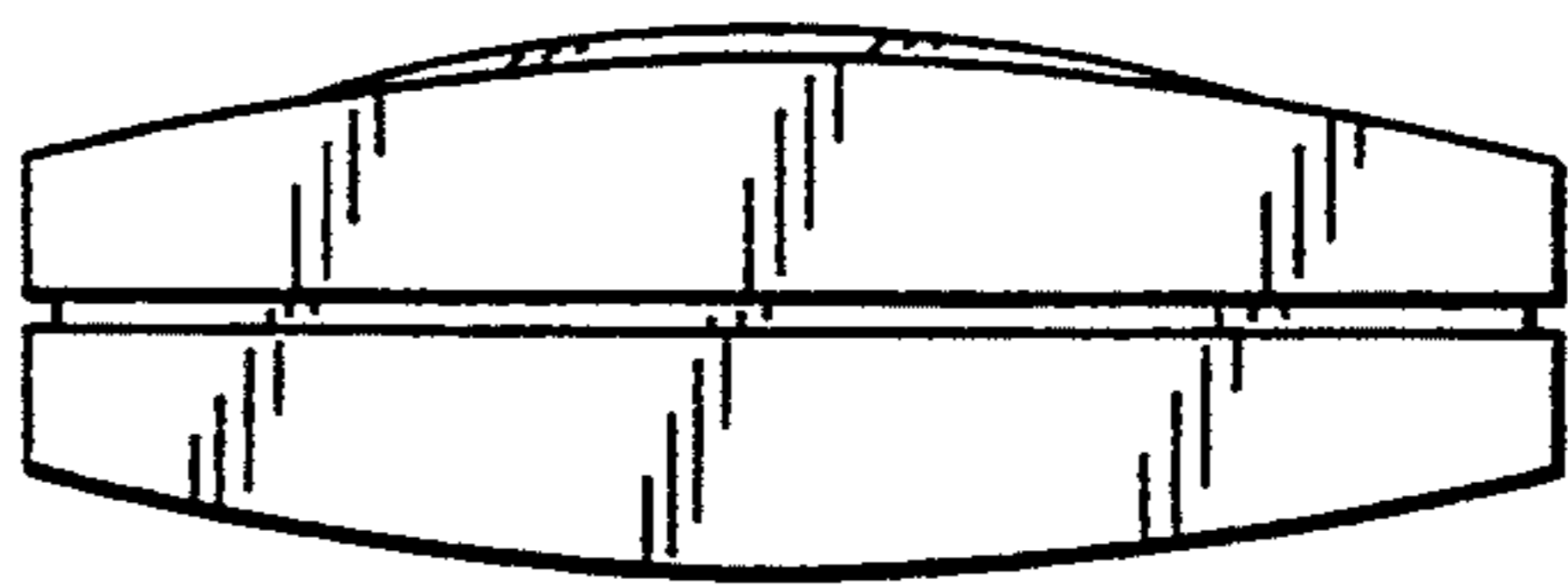
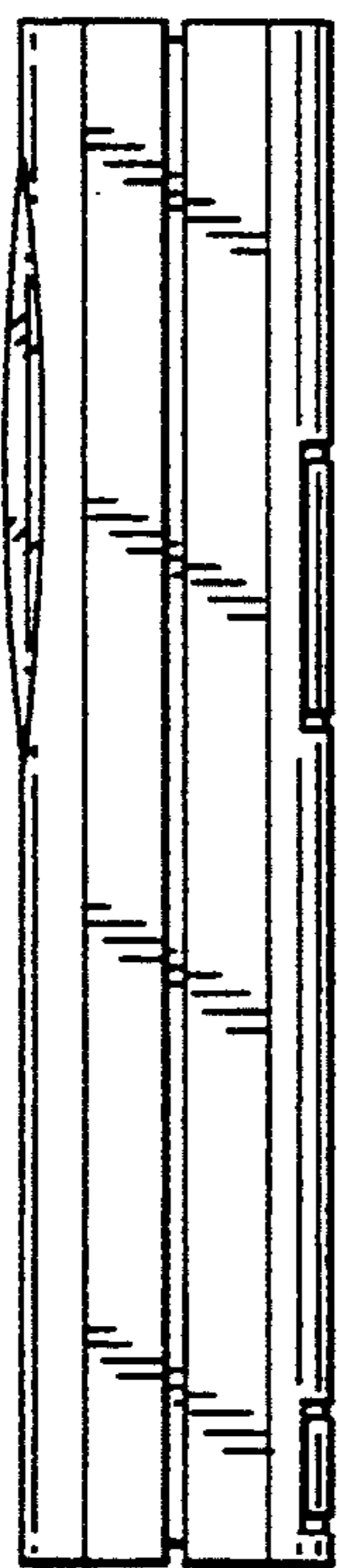


FIG. 6