



US00D355134S

United States Patent [19]

[11] Patent Number: **Des. 355,134**

Kennedy

[45] Date of Patent: **** Feb. 7, 1995**

[54] SPIRIT LEVEL

[76] Inventor: **Donald F. Kennedy**, 562 Rimini Rd.,
Del Mar, Calif. 92014

[**] Term: **14 Years**

[21] Appl. No.: **18,345**

[22] Filed: **Feb. 4, 1994**

[52] U.S. Cl. **D10/69**

[58] Field of Search **D10/69; 33/365-390**

[56] **References Cited**

U.S. PATENT DOCUMENTS

D. 224,663	8/1972	de Jong	D10/69
D. 280,185	8/1985	Wright	D10/69
D. 332,226	1/1993	Hutchins et al.	D10/69
2,789,363	4/1957	Miley	33/347
4,506,450	3/1985	Fleming et al.	D10/69 X
4,876,798	10/1989	Zimmerman	D10/69 X

Primary Examiner—Alan P. Douglas

Assistant Examiner—Antoine D. Davis
Attorney, Agent, or Firm—John R. Duncan; Frank D. Gilliam

[57] **CLAIM**

The ornamental design for a spirit level, as shown and described.

DESCRIPTION

FIG. 1 is a perspective view of the spirit level of this invention;

FIG. 2 is a front elevation of said spirit level;

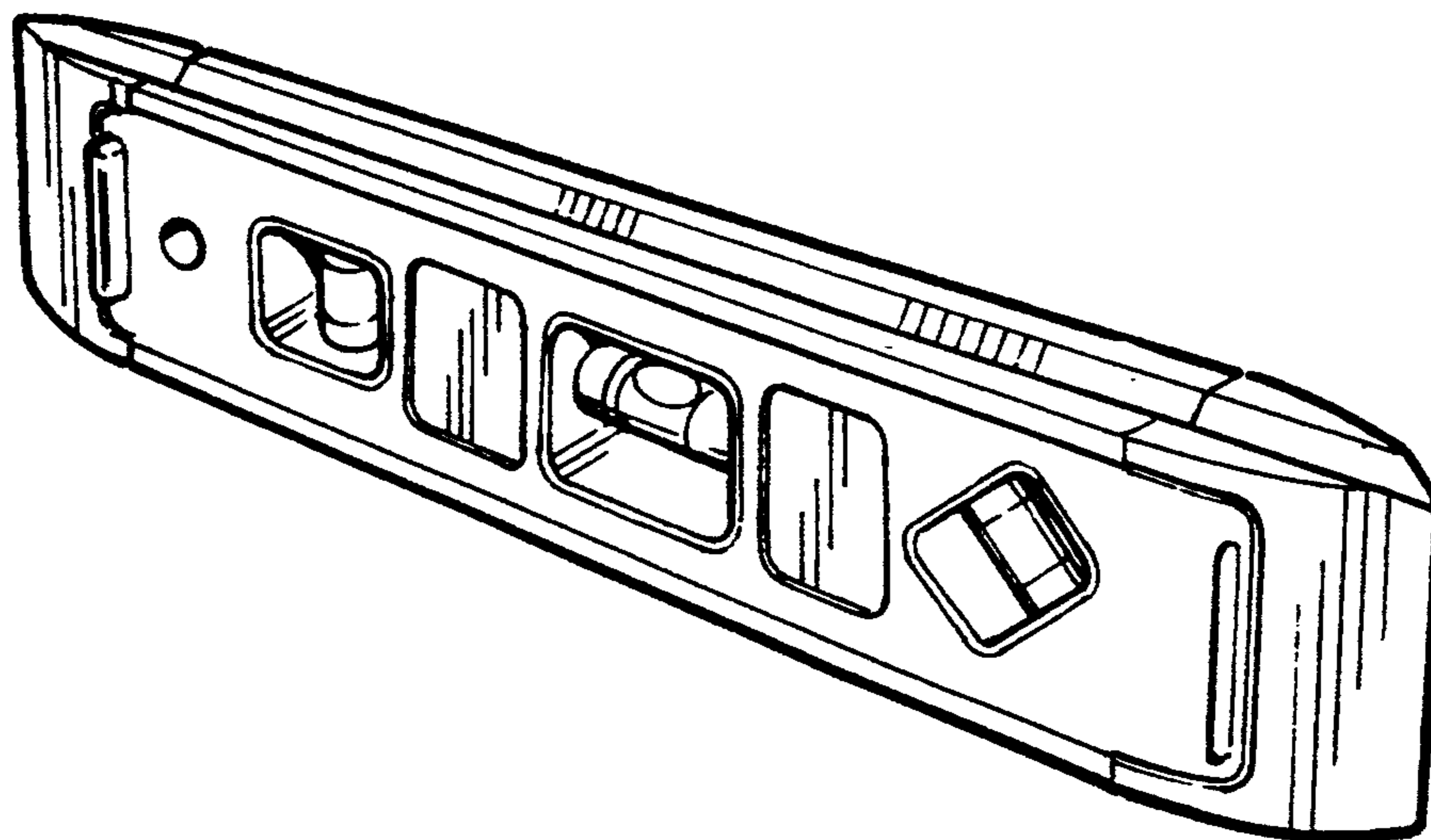
FIG. 3 is a bottom plan view of said spirit level;

FIG. 4 is a back elevation view of said spirit level, with the spirit level as shown in FIG. 1 rotated around a horizontal axis;

FIG. 5 is a top plan view of said spirit level;

FIG. 6 is an elevation view of the right end of said spirit level, taken from the right end of FIG. 3; and,

FIG. 7 is an elevation view of the left end of said spirit level, taken from the left end of FIG. 3.



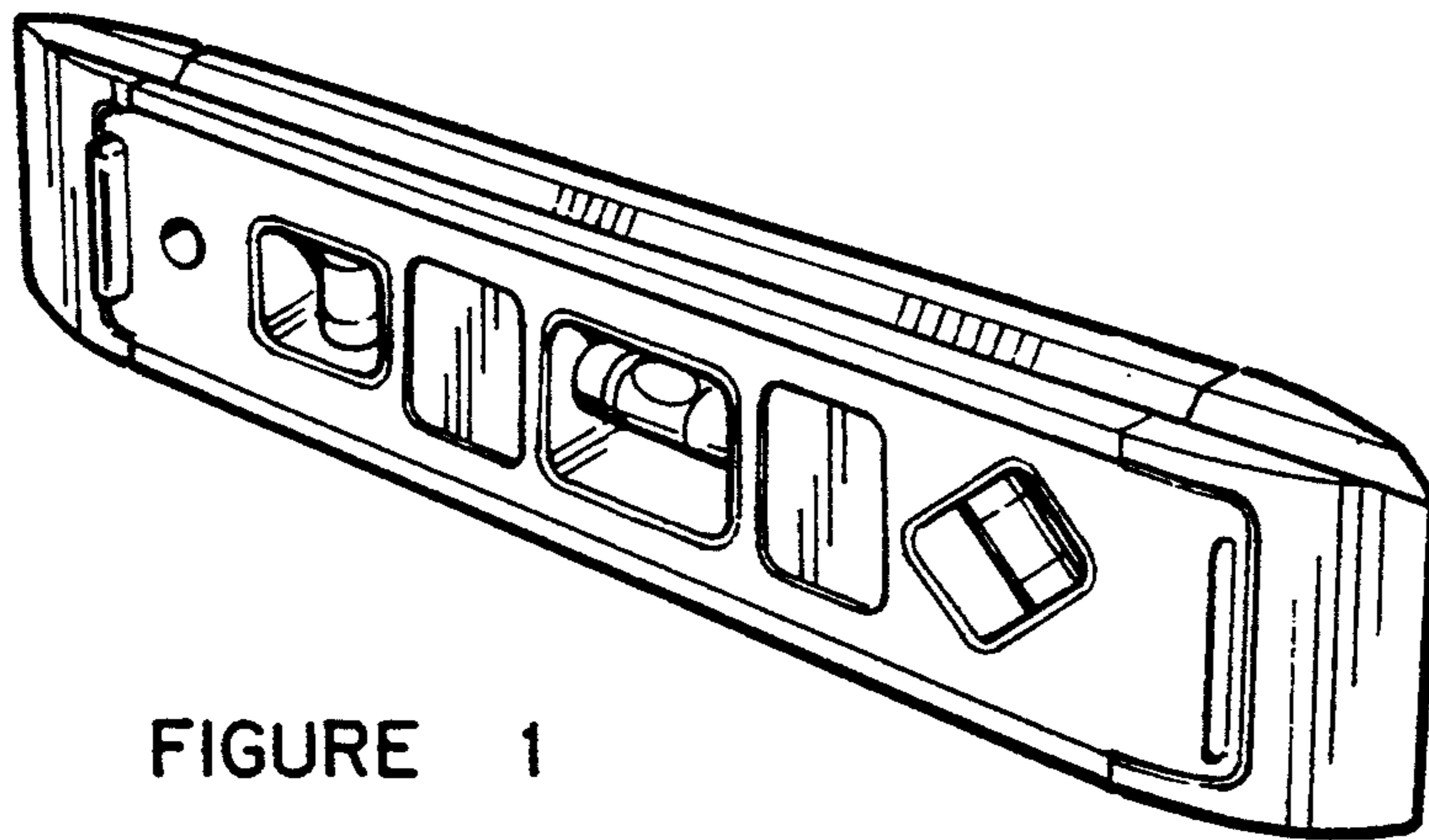


FIGURE 1

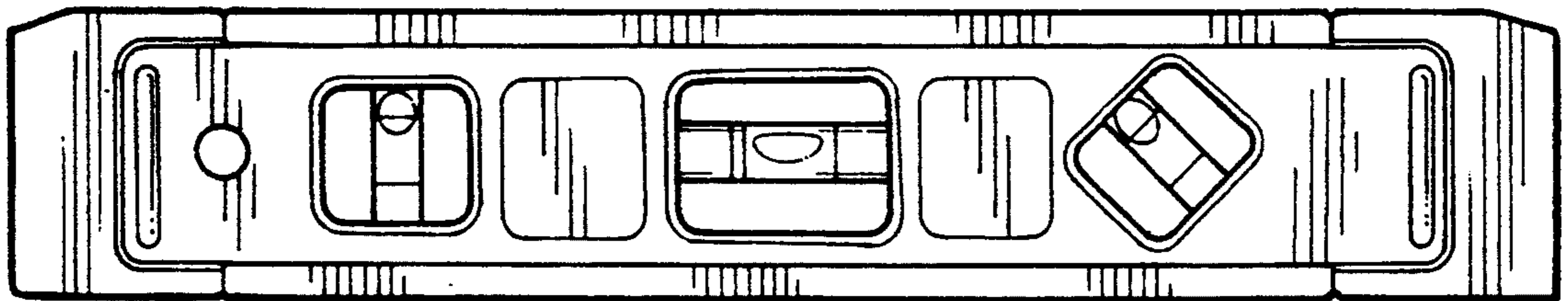


FIGURE 2

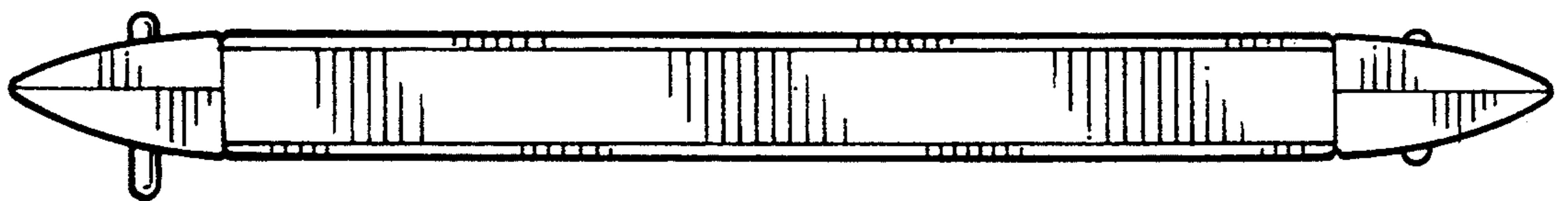


FIGURE 3

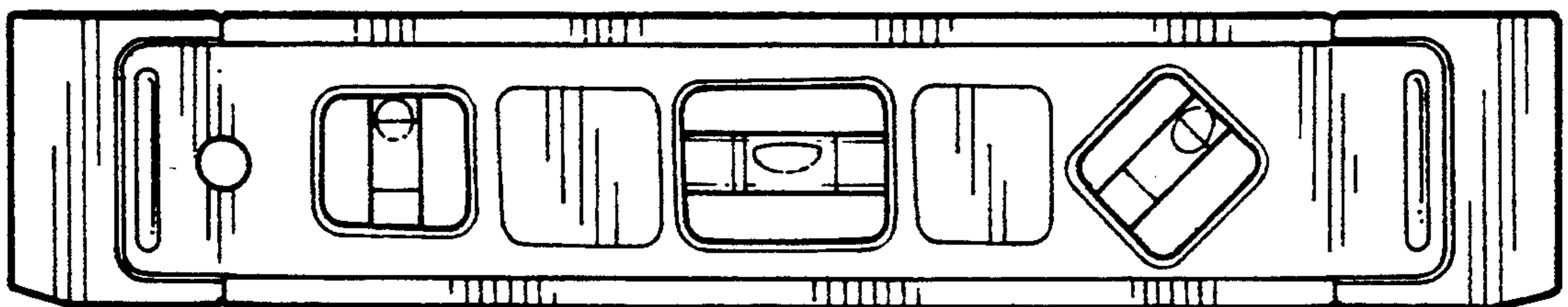


FIGURE 4

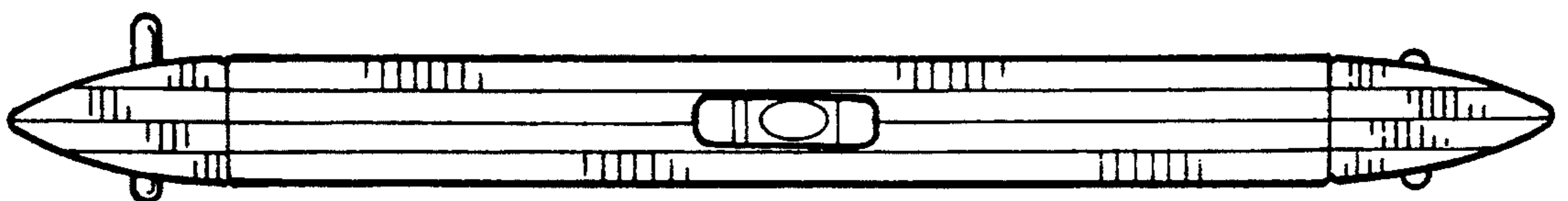


FIGURE 5



FIGURE 6

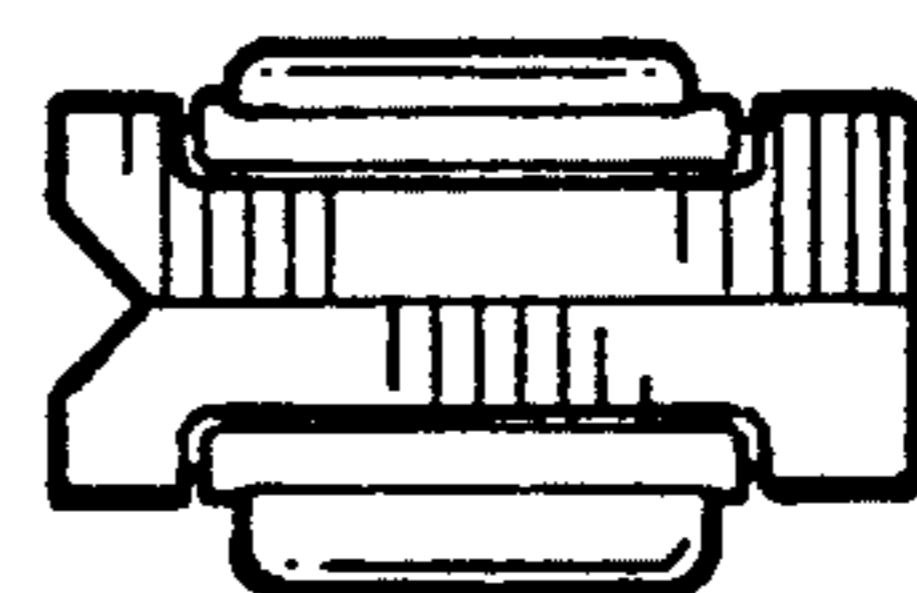


FIGURE 7