



US00D355128S

# United States Patent [19]

[11] Patent Number: **Des. 355,128**

Samimi et al.

[45] Date of Patent: **\*\* Feb. 7, 1995**

[54] BOTTLE

D. 285,054 8/1986 Stones ..... D9/573 X  
D. 294,121 2/1988 Cramer ..... D9/542  
D. 295,954 5/1988 Kirchhoff ..... D9/521

[75] Inventors: **Barbara M. Samimi**, Forest Hills;  
**Kenneth H. Nilssen**, Huntington;  
**John C. Crawford**, Lake Mahopac, all  
of N.Y.

### FOREIGN PATENT DOCUMENTS

6324 3/1894 United Kingdom ..... 215/1 C

[73] Assignee: **Colgate-Palmolive Co.**, New York,  
N.Y.

*Primary Examiner*—Lucy J. Lieberman  
*Attorney, Agent, or Firm*—Michael J. McGreal; Robert  
C. Sullivan

[\*] Notice: The portion of the term of this patent  
subsequent to Nov. 8, 2008 has been  
disclaimed.

### [57] CLAIM

The ornamental design for a bottle, as shown and de-  
scribed.

[\*\*] Term: **14 Years**

### DESCRIPTION

[21] Appl. No.: **9,935**

FIG. 1 is a perspective view of the bottle showing our  
design;

[22] Filed: **Jun. 24, 1993**

FIG. 2 is a front elevational view thereof;

### Related U.S. Application Data

FIG. 3 is a right side elevational view thereof;

[63] Continuation-in-part of Ser. No. 4,085, Jan. 27, 1993.

FIG. 4 is a rear elevational view thereof;

[52] U.S. Cl. .... **D9/542; D9/300**

FIG. 5 is a left side elevational view thereof;

[58] Field of Search ..... **D9/542, 543, 573, 574,**  
**D9/562, 566, 544, 300; 215/1 R, 1 C;**  
**D28/91.1; 239/337, 338**

FIG. 6 is a top plan view thereof;

FIG. 7 is a bottom plan view thereof;

FIG. 8 is a fragmentary perspective view of a second  
embodiment of the bottle showing a cylindrical pump  
closure, the undisclosed broken away portion of the  
bottle is the same as the first embodiment;

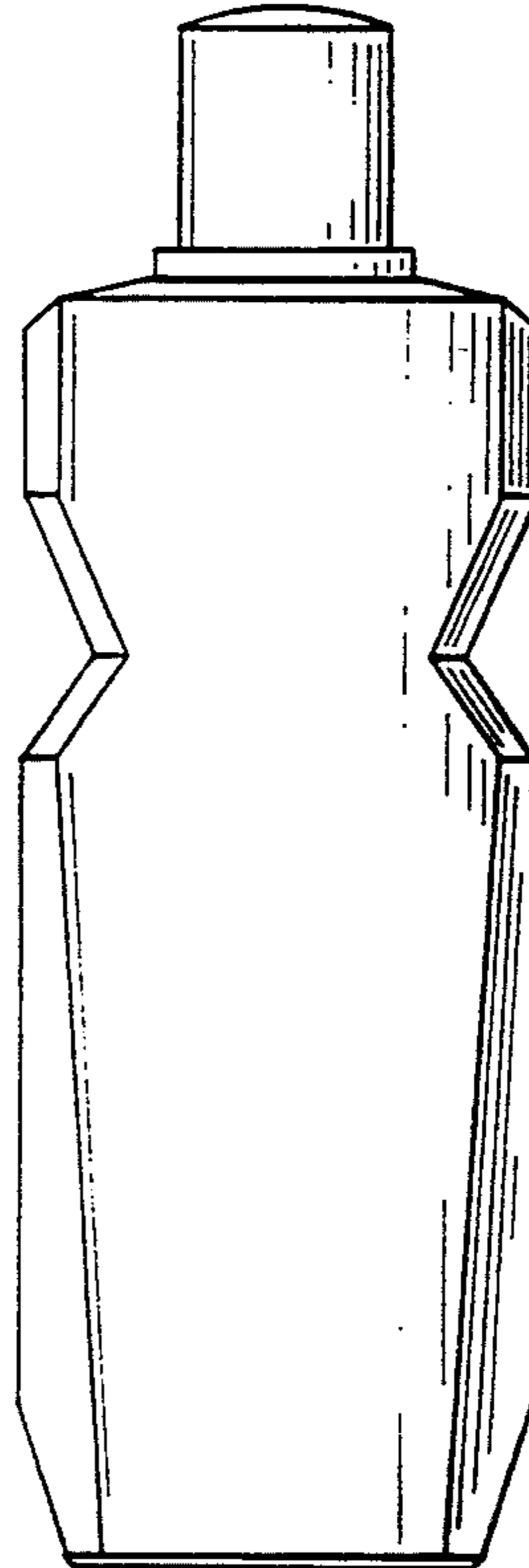
### [56] References Cited

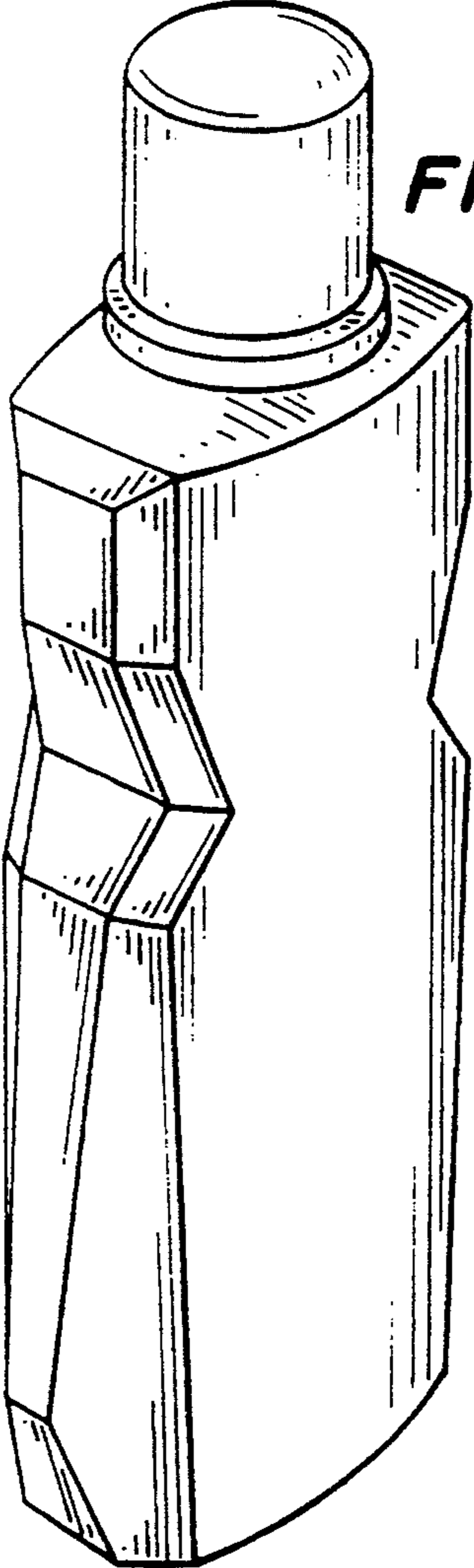
#### U.S. PATENT DOCUMENTS

D. 92,436 6/1934 Stevens ..... D9/543  
D. 94,703 2/1935 McLaughlin ..... D9/542  
D. 102,636 1/1937 McLaughlin ..... D9/573  
D. 209,098 10/1967 Spiess ..... D9/521  
D. 262,778 1/1982 Britt et al. .... D9/542

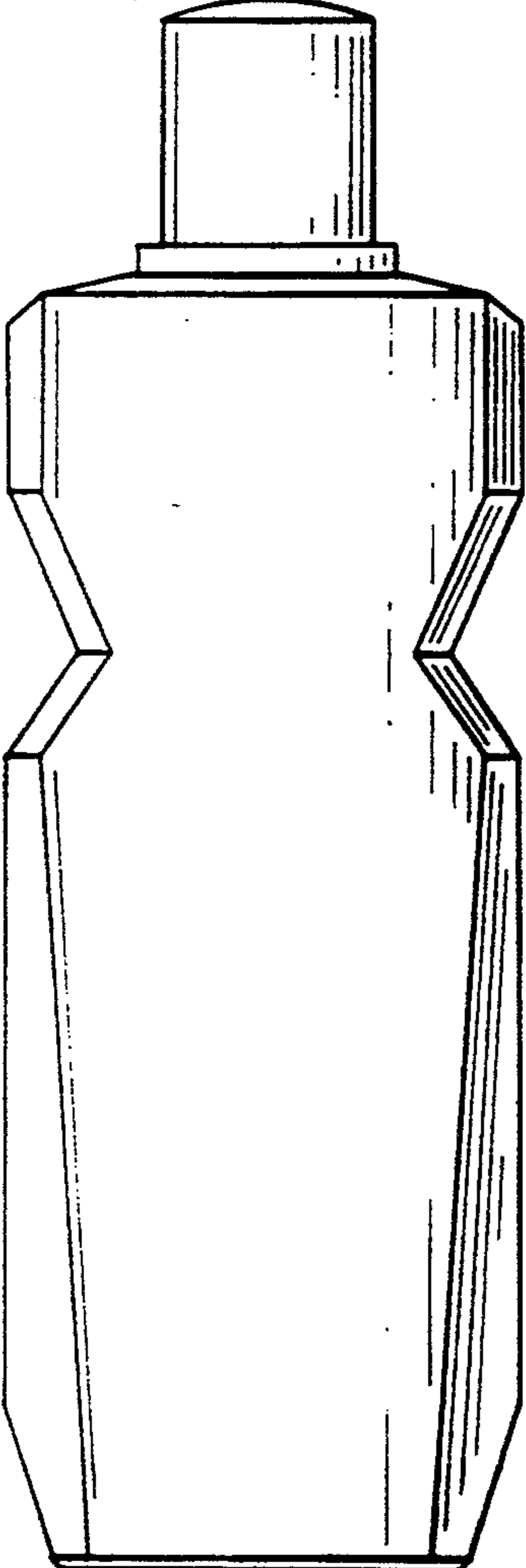
FIG. 9 is a fragmentary side elevational view of the  
second embodiment, the opposite side elevational view  
is a mirror image thereof; and,

FIG. 10 is a fragmentary rear elevational view of the  
bottle of FIG. 8, the undisclosed broken away portion  
of the bottle is the same as the first embodiment.

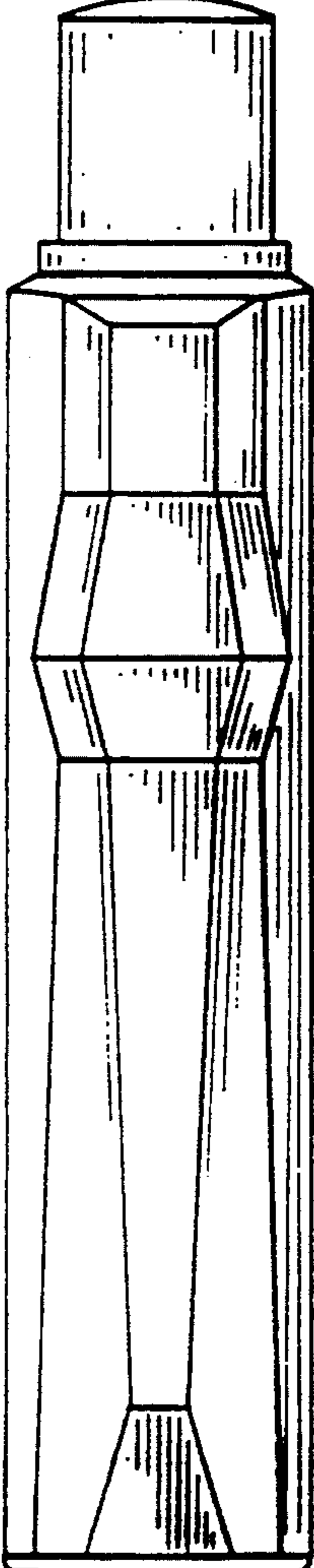




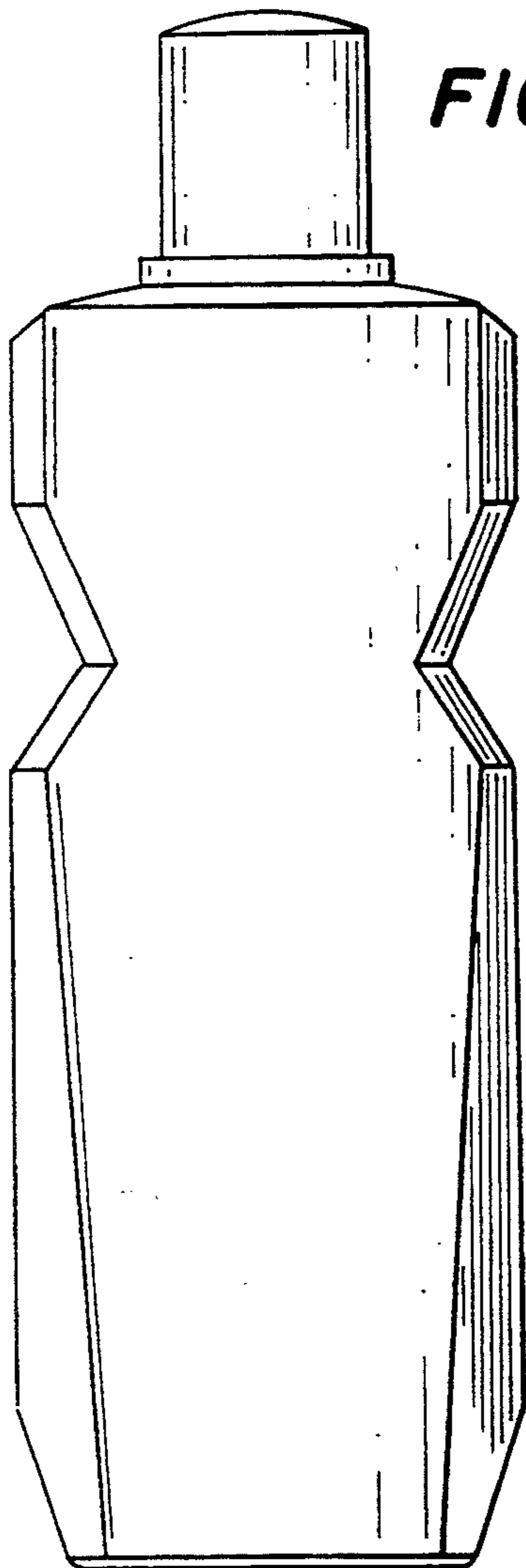
**FIG. 1**



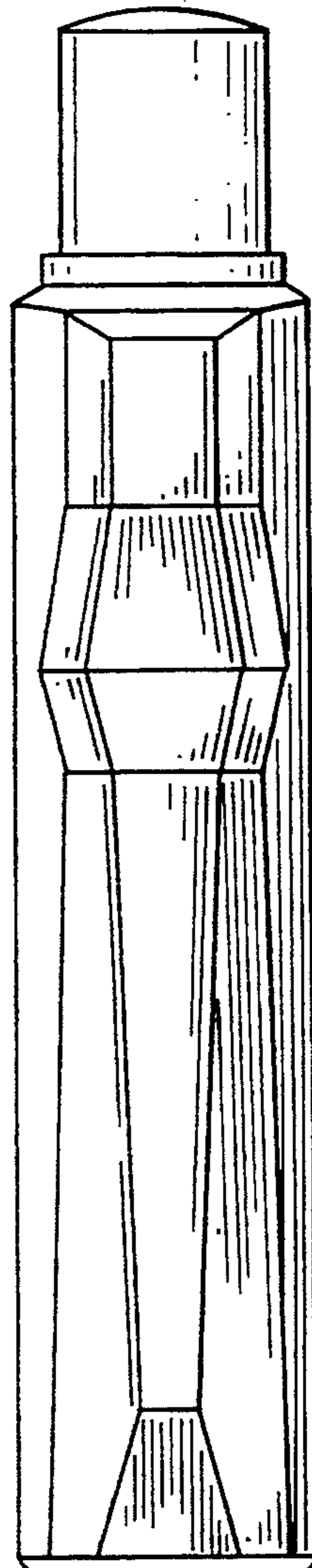
**FIG. 2**



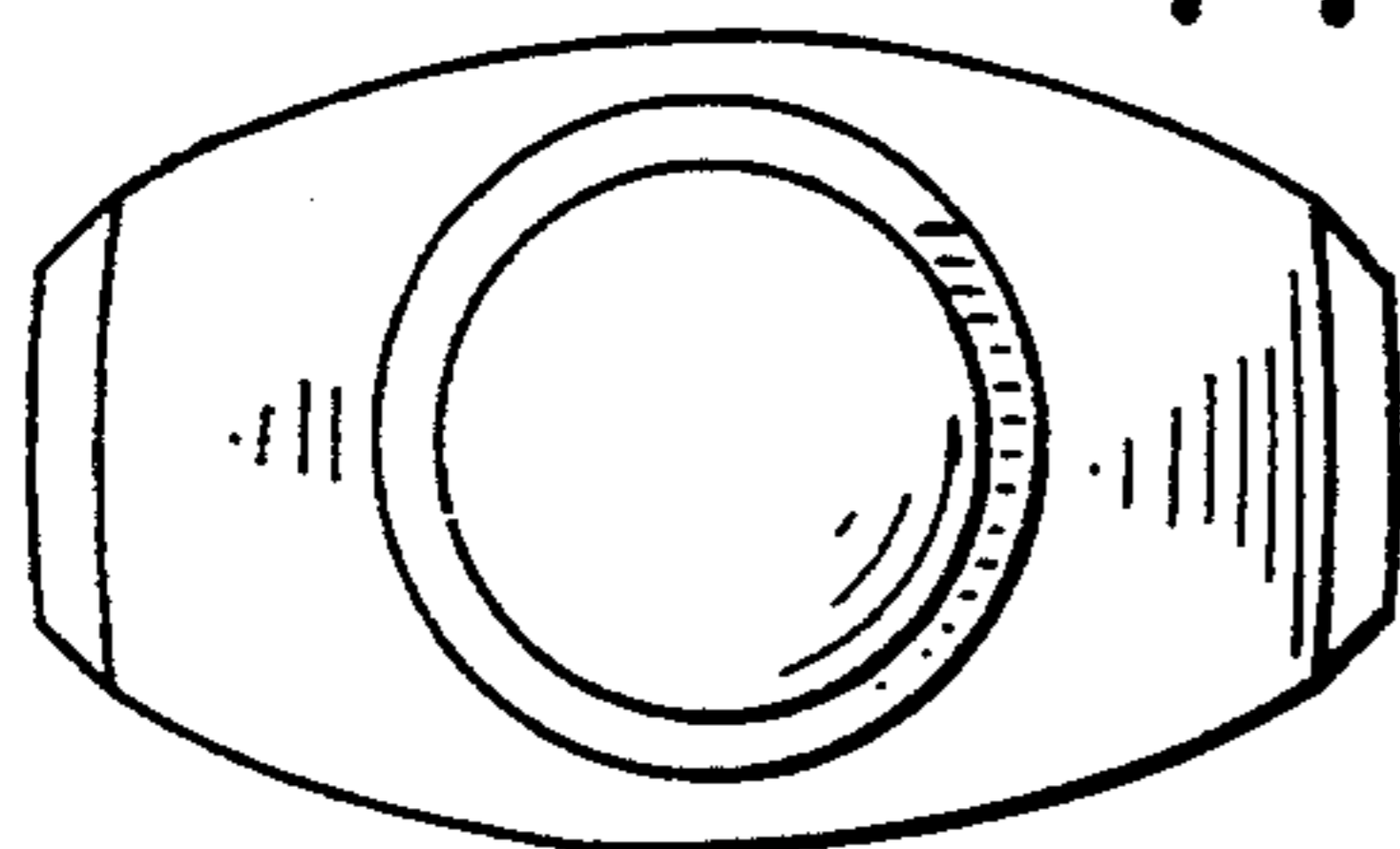
**FIG. 3**



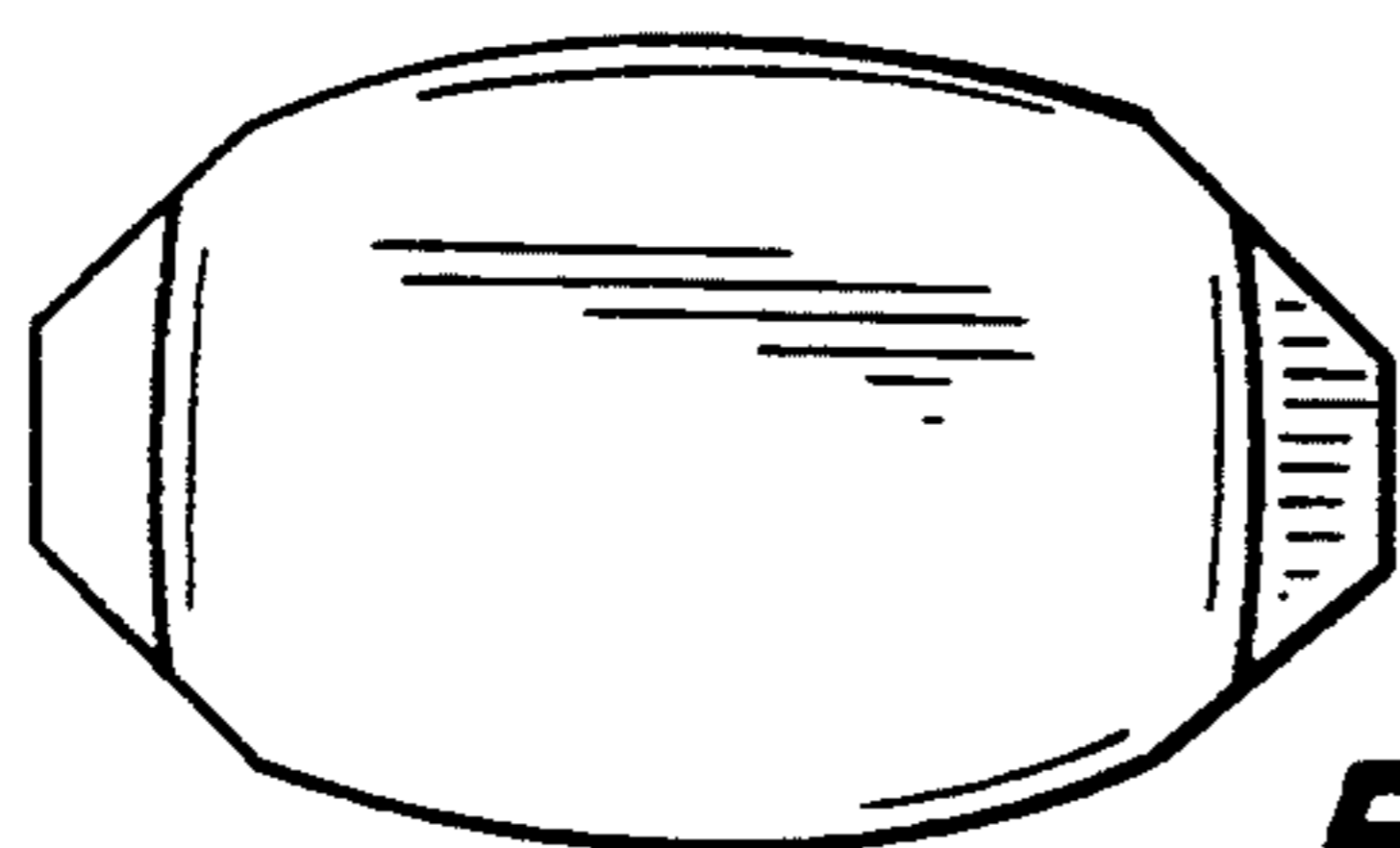
**FIG. 4**



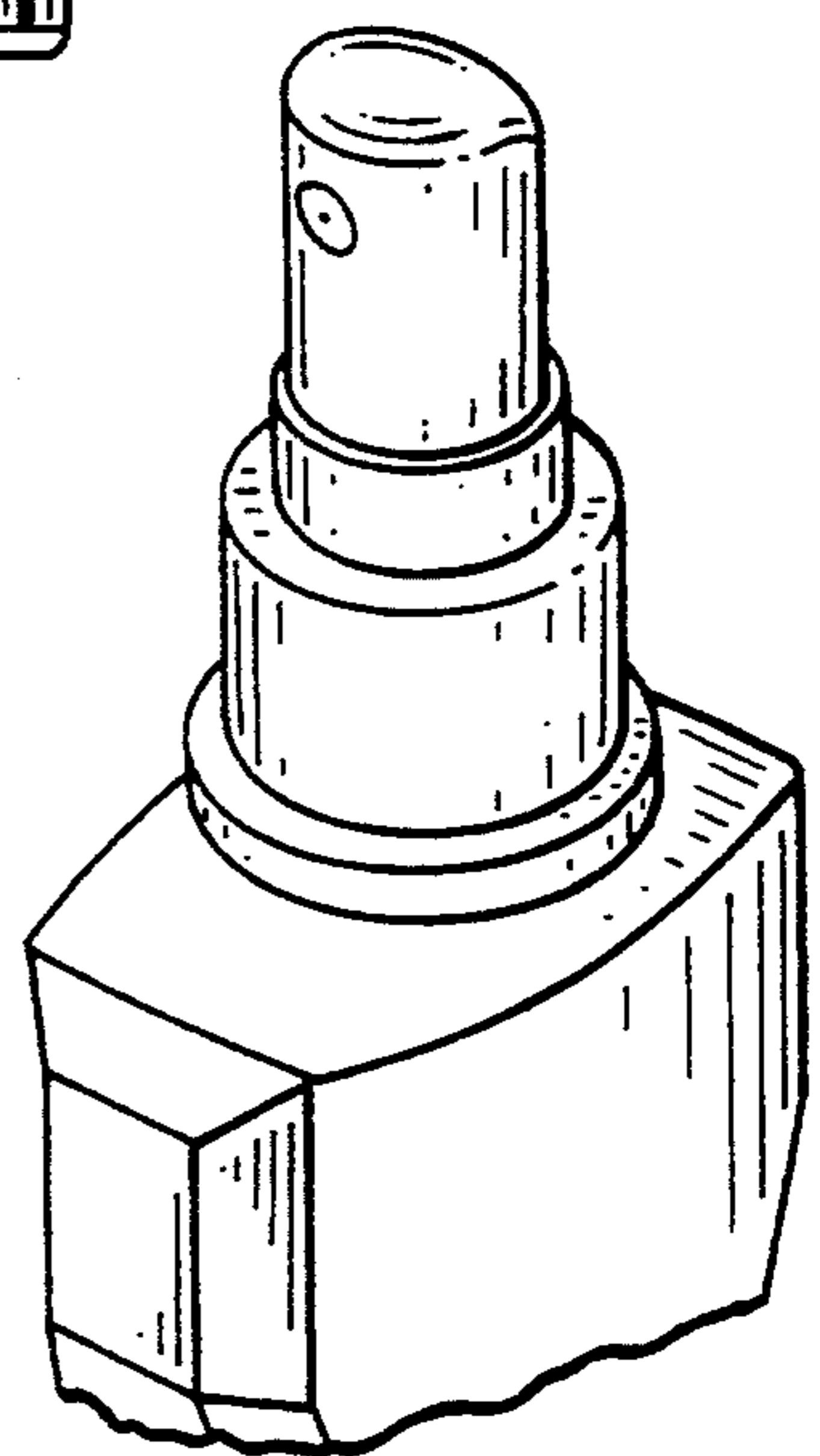
**FIG. 5**



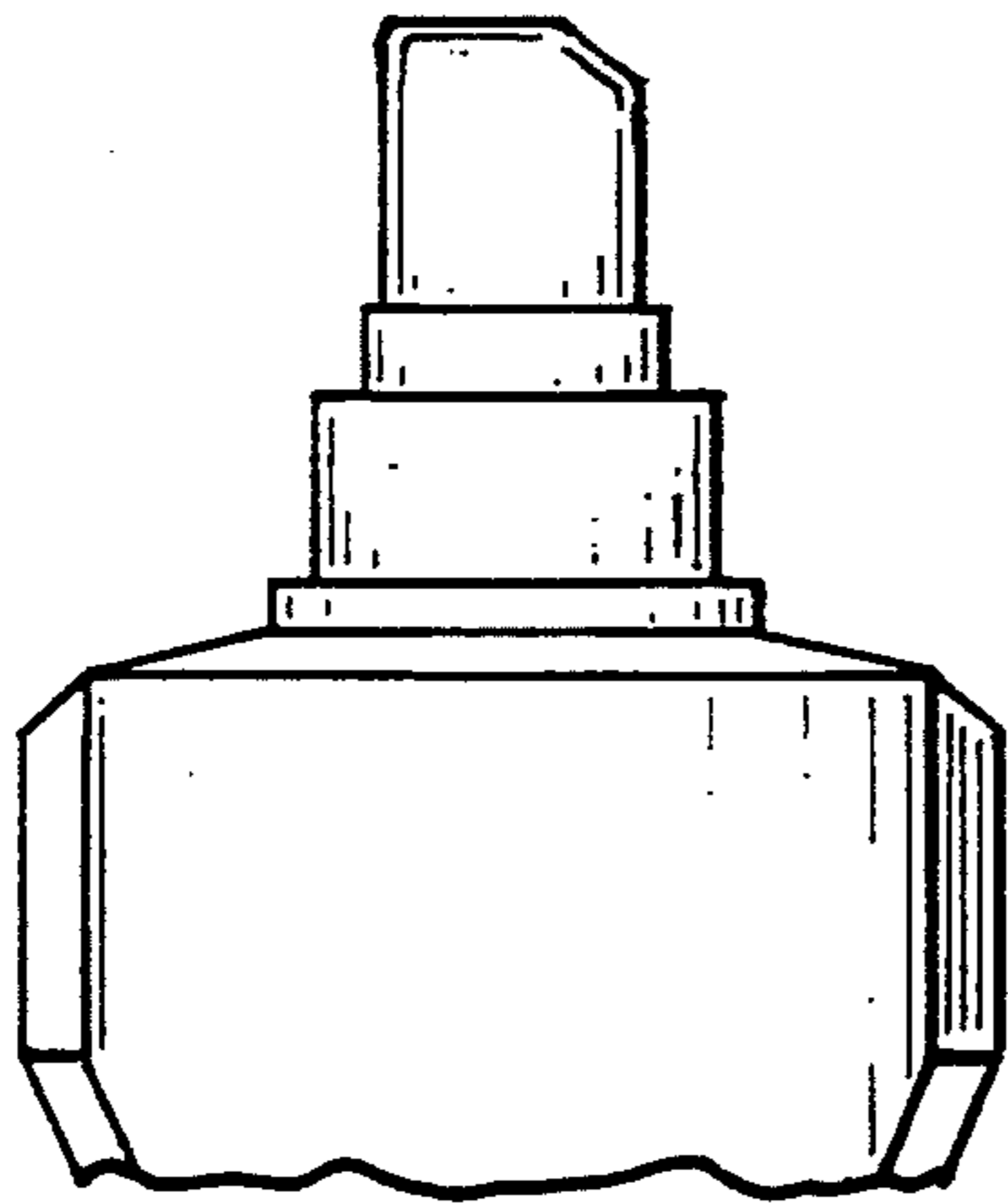
**FIG. 6**



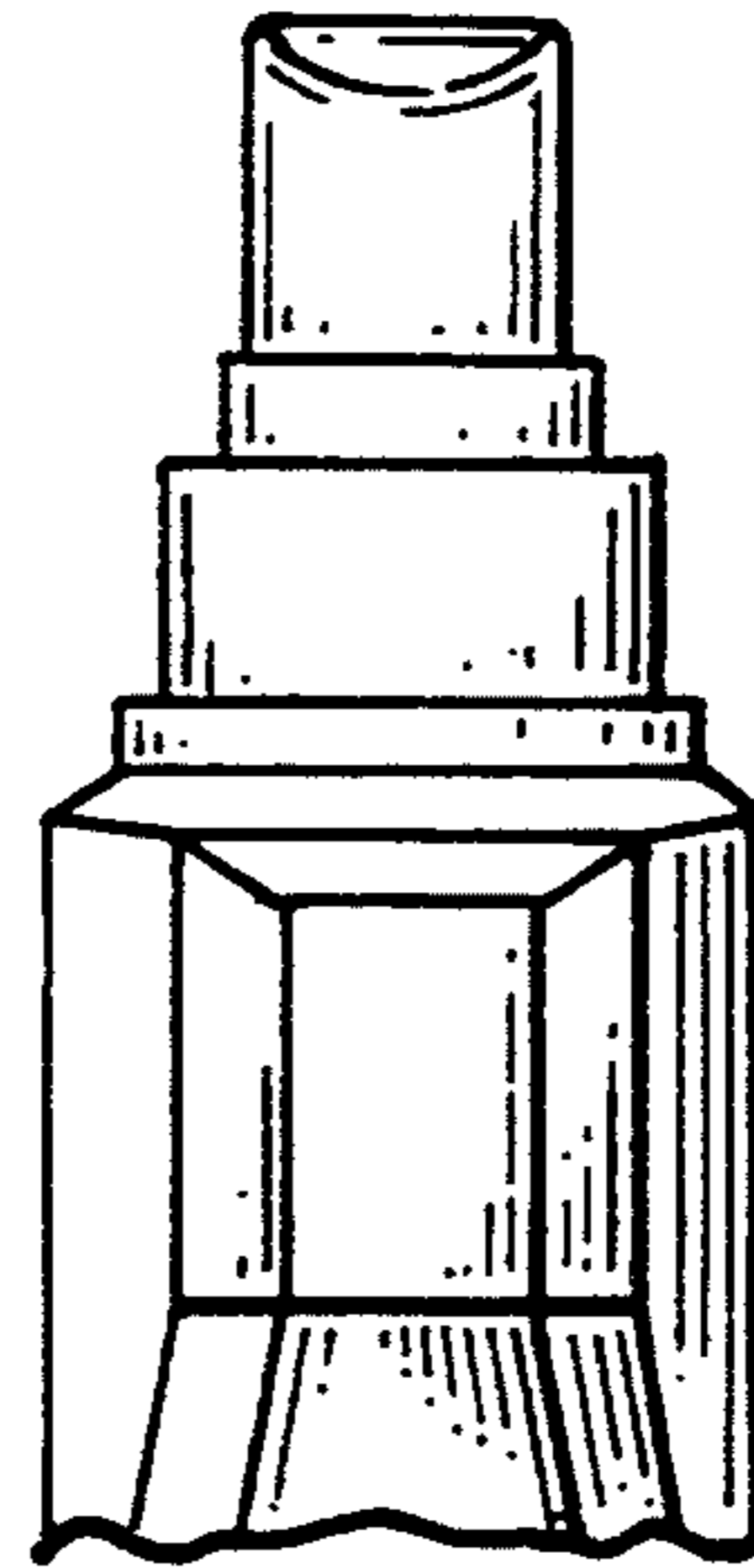
**FIG. 7**



**FIG. 8**



**FIG. 9**



**FIG. 10**