



US00D355121S

**United States Patent** [19]  
**Kohl**

[11] **Patent Number: Des. 355,121**

[45] **Date of Patent: \*\* Feb. 7, 1995**

[54] **CRUET CAP**

[75] **Inventor: Garrett W. Kohl, Cold Springs, N.Y.**

[73] **Assignee: Kraft General Foods, Inc., Northfield, Ill.**

[\*\*] **Term: 14 Years**

[21] **Appl. No.: 940,702**

[22] **Filed: Sep. 4, 1992**

[52] **U.S. Cl. .... D9/447**

[58] **Field of Search ..... D9/434-436, D9/438-440, 444-447, 449, 454; 215/277, 306; 222/546; D7/598**

[56] **References Cited**

**U.S. PATENT DOCUMENTS**

D. 227,085	6/1973	Nigro	.....	D9/448
D. 292,889	11/1987	Ostrowsky	.....	D9/447
D. 331,877	12/1992	Robichaud et al.	.....	D9/449
D. 335,817	5/1993	Greubel	.....	D9/300
D. 340,188	10/1993	Forsyth	.....	D9/449

*Primary Examiner*—Alan P. Douglas

*Assistant Examiner*—R. Spear

*Attorney, Agent, or Firm*—Thomas R. Savoie; Thomas A. Marcoux

[57] **CLAIM**

The ornamental design for a cruet cap, as shown and described.

**DESCRIPTION**

FIG. 1 is a perspective view of a cruet cap showing my new design in its closed orientation;  
 FIG. 2 is a top plan view thereof;  
 FIG. 3 is a bottom plan view thereof;  
 FIG. 4 is a right side elevational view thereof to the left side elevational view being a mirror image thereof;  
 FIG. 5 is a front elevational view thereof;  
 FIG. 6 is a rear elevational view thereof;  
 FIG. 7 is a perspective view of the cruet cap showing my new design in its open orientation;  
 FIG. 8 is a top plan view of FIG. 7;  
 FIG. 9 is a bottom plan view of FIG. 7;  
 FIG. 10 is a right side elevational view of FIG. 7, the left side elevational view being a mirror image thereof;  
 FIG. 11 is a front elevational view of FIG. 7;  
 FIG. 12 is a rear elevational view of FIG. 7; and,  
 FIG. 13 is a cross-sectional view taken along line 13-13 of FIG. 1.

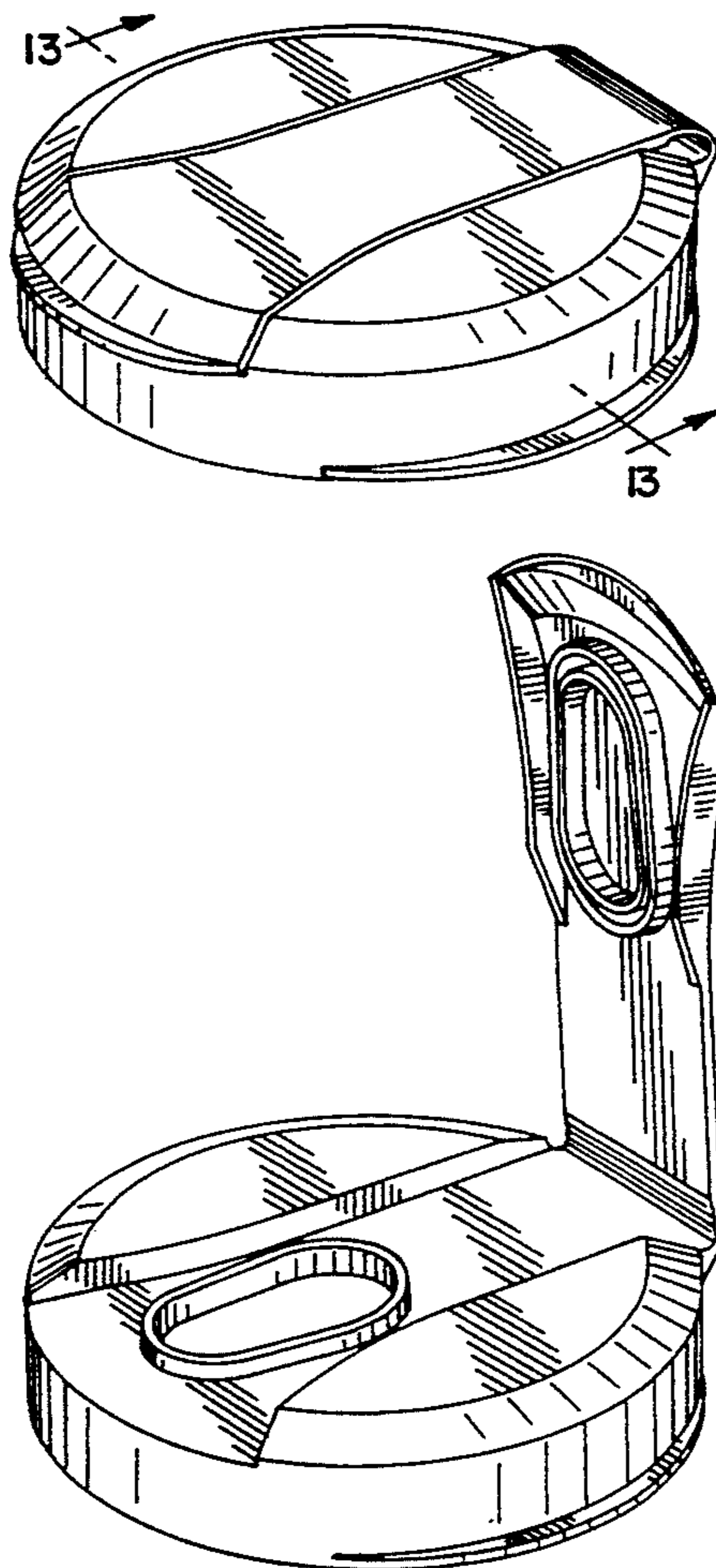


FIG. 1

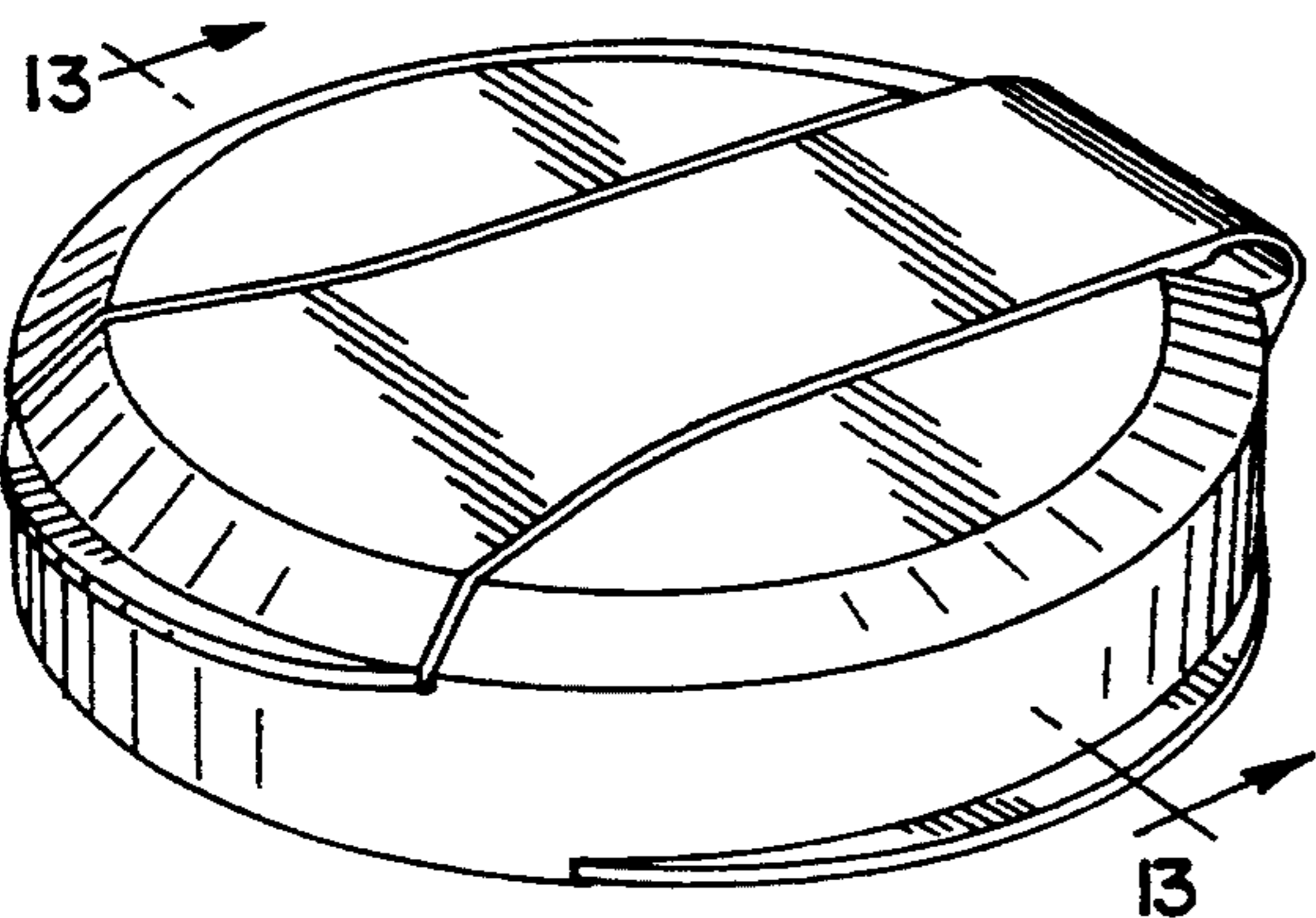


FIG. 2

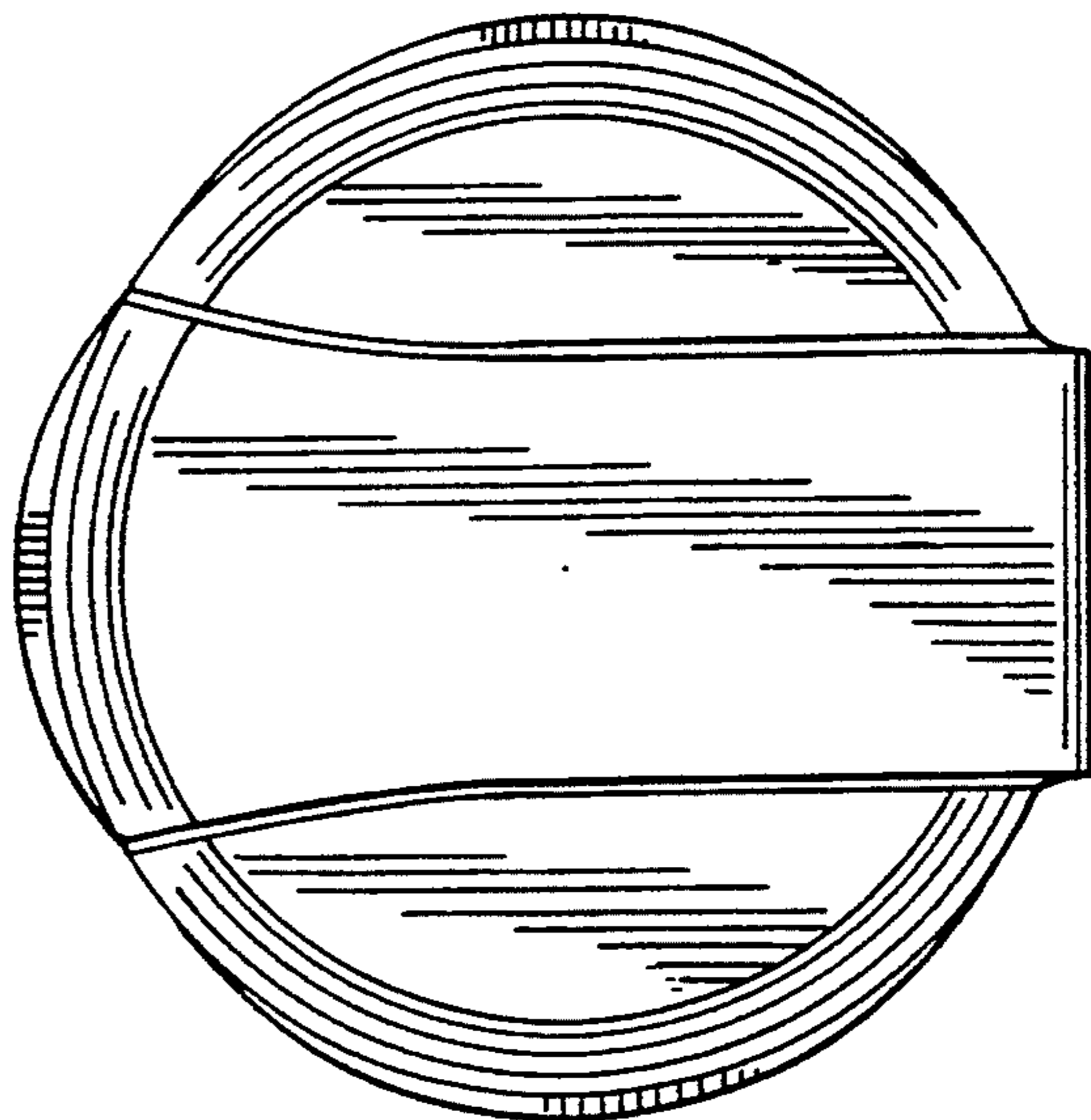


FIG. 3

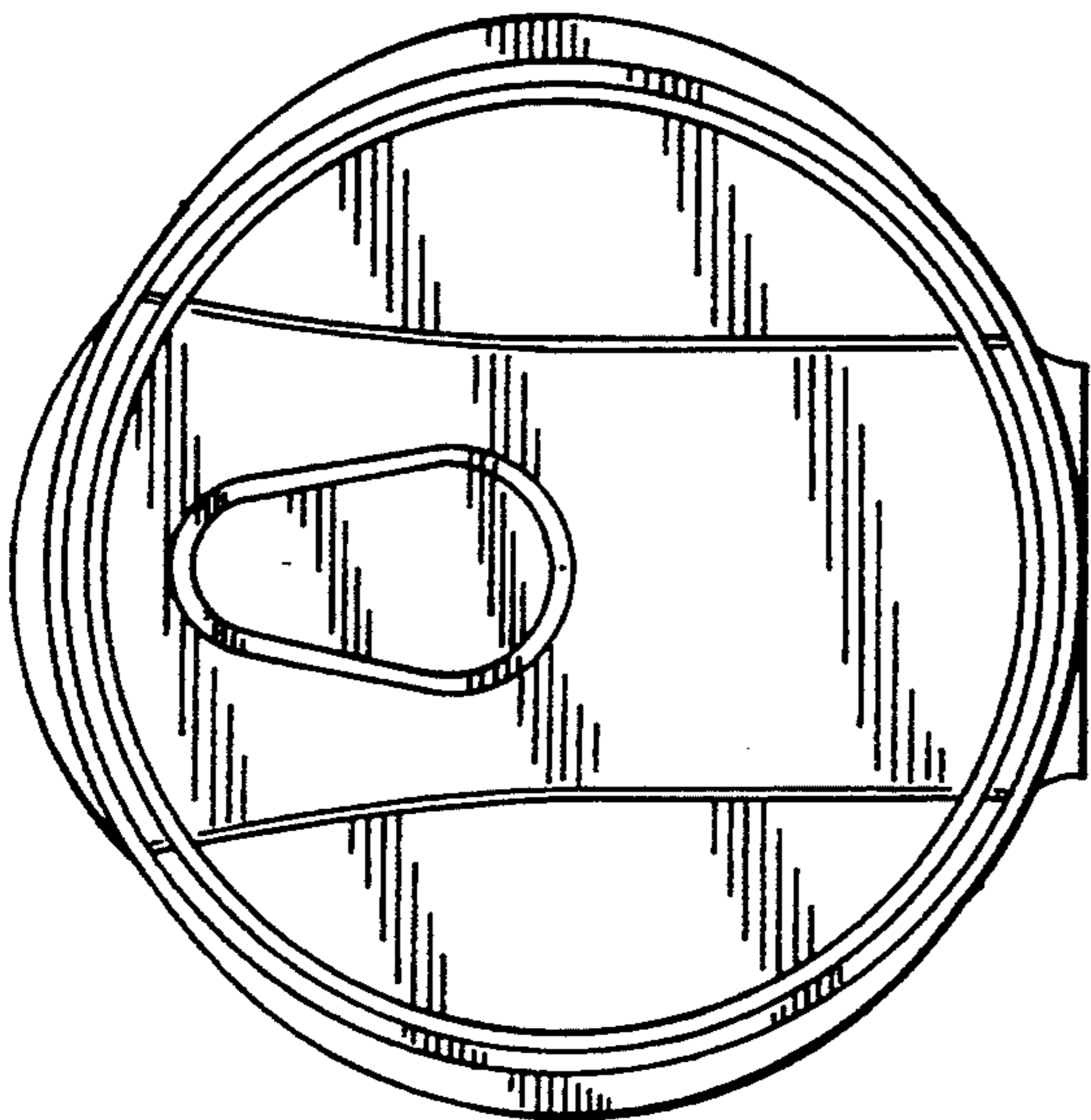


FIG. 4

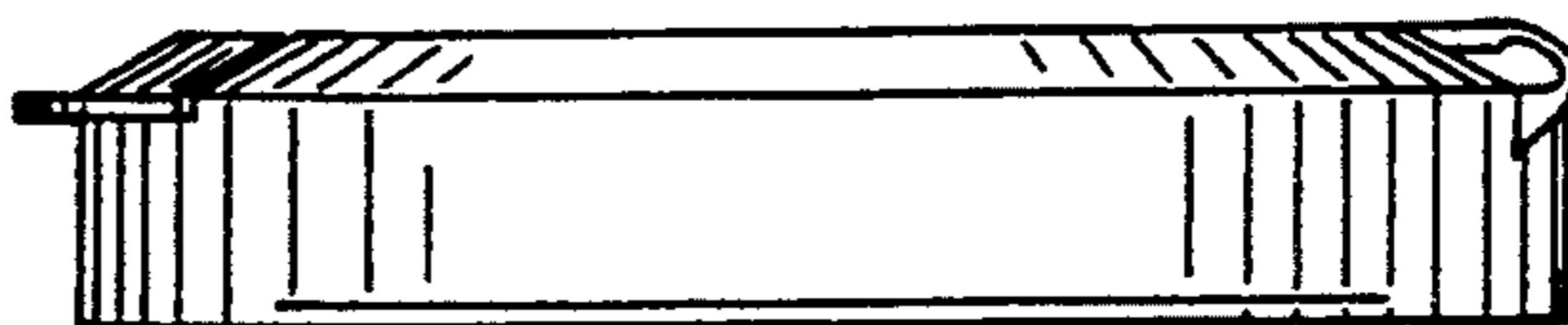


FIG. 5

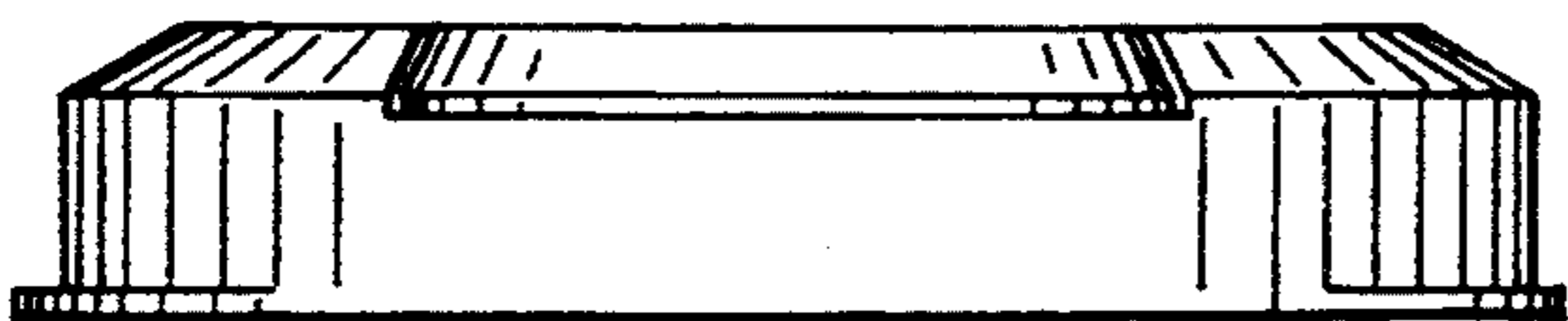


FIG. 6

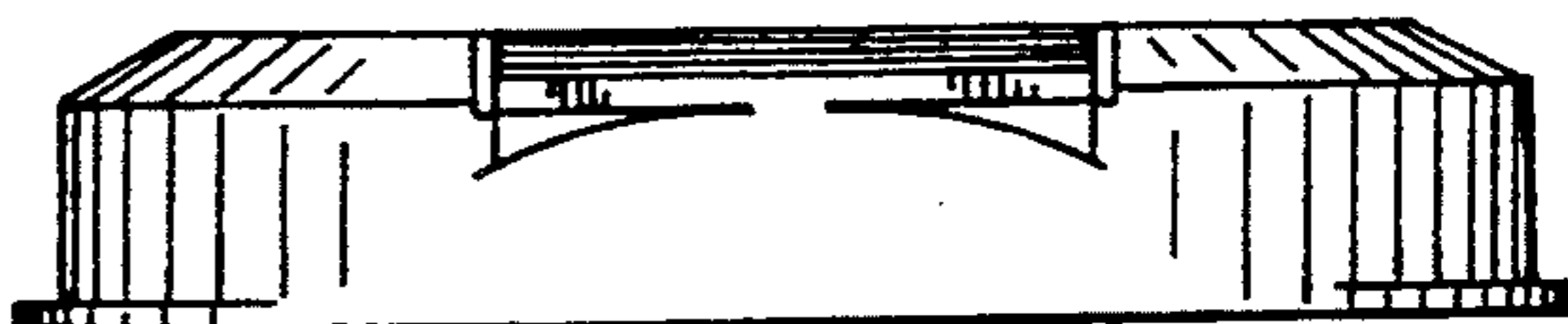


FIG. 7

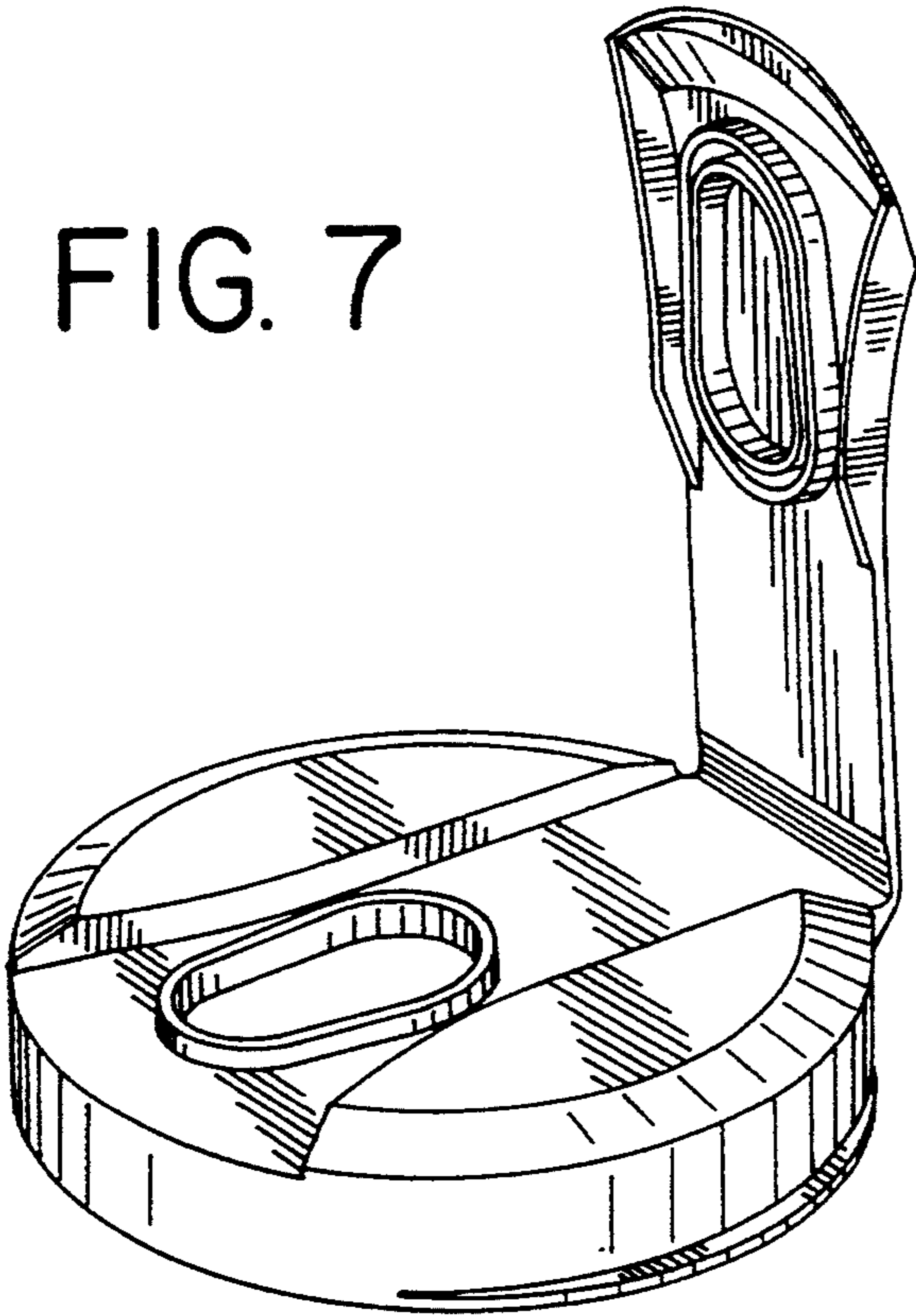


FIG. 8

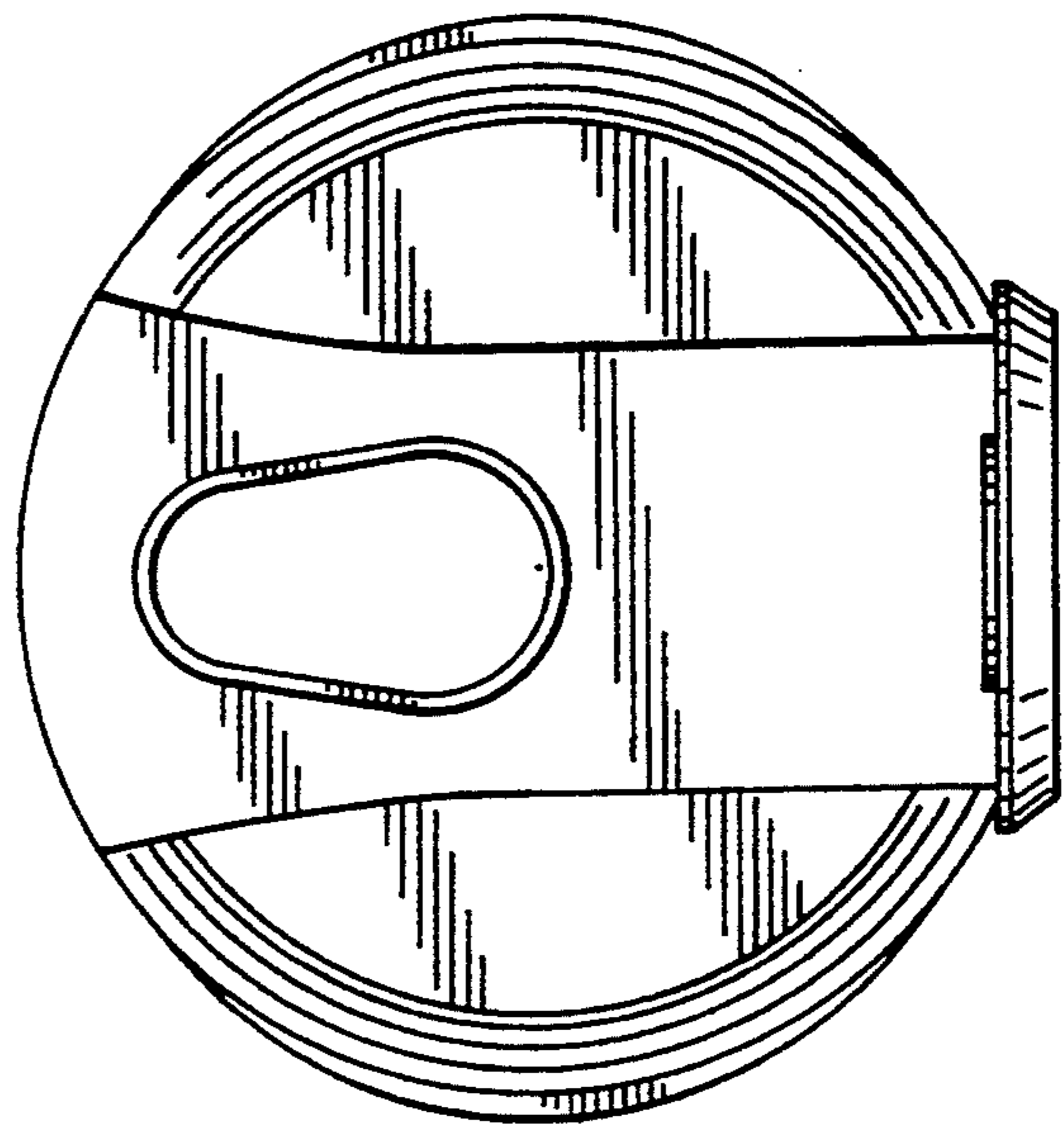


FIG. 9

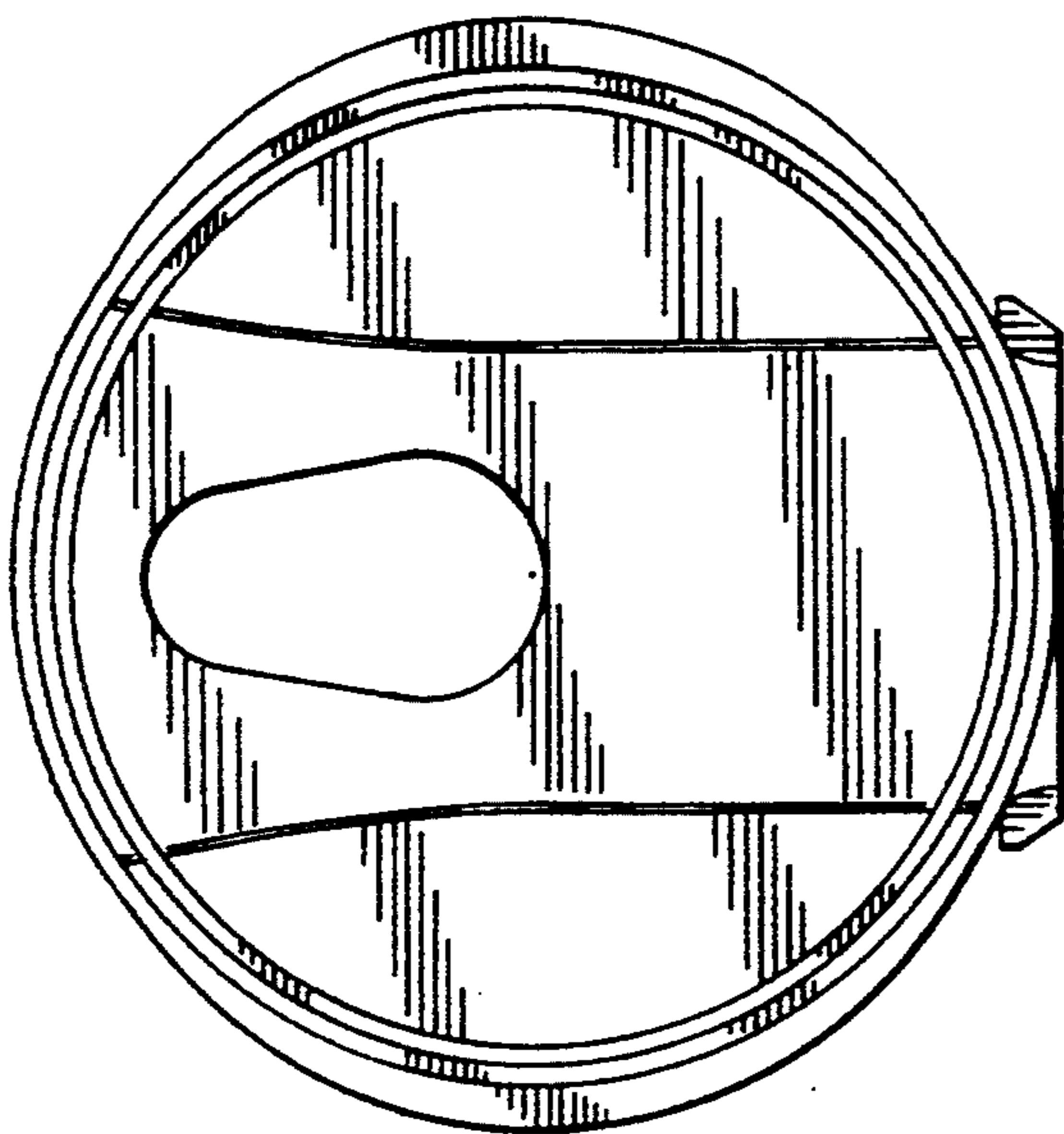


FIG. 12

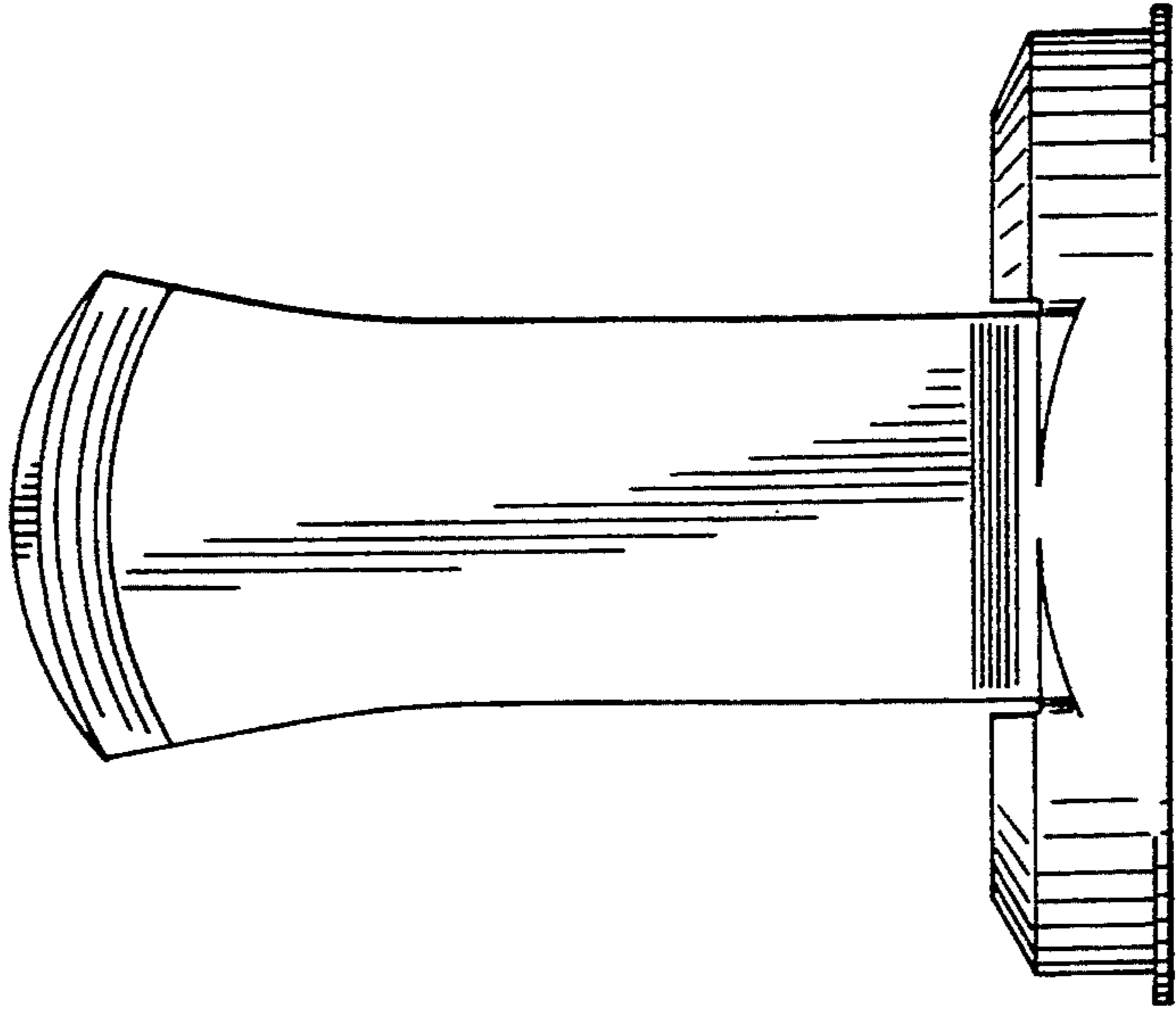


FIG. 11

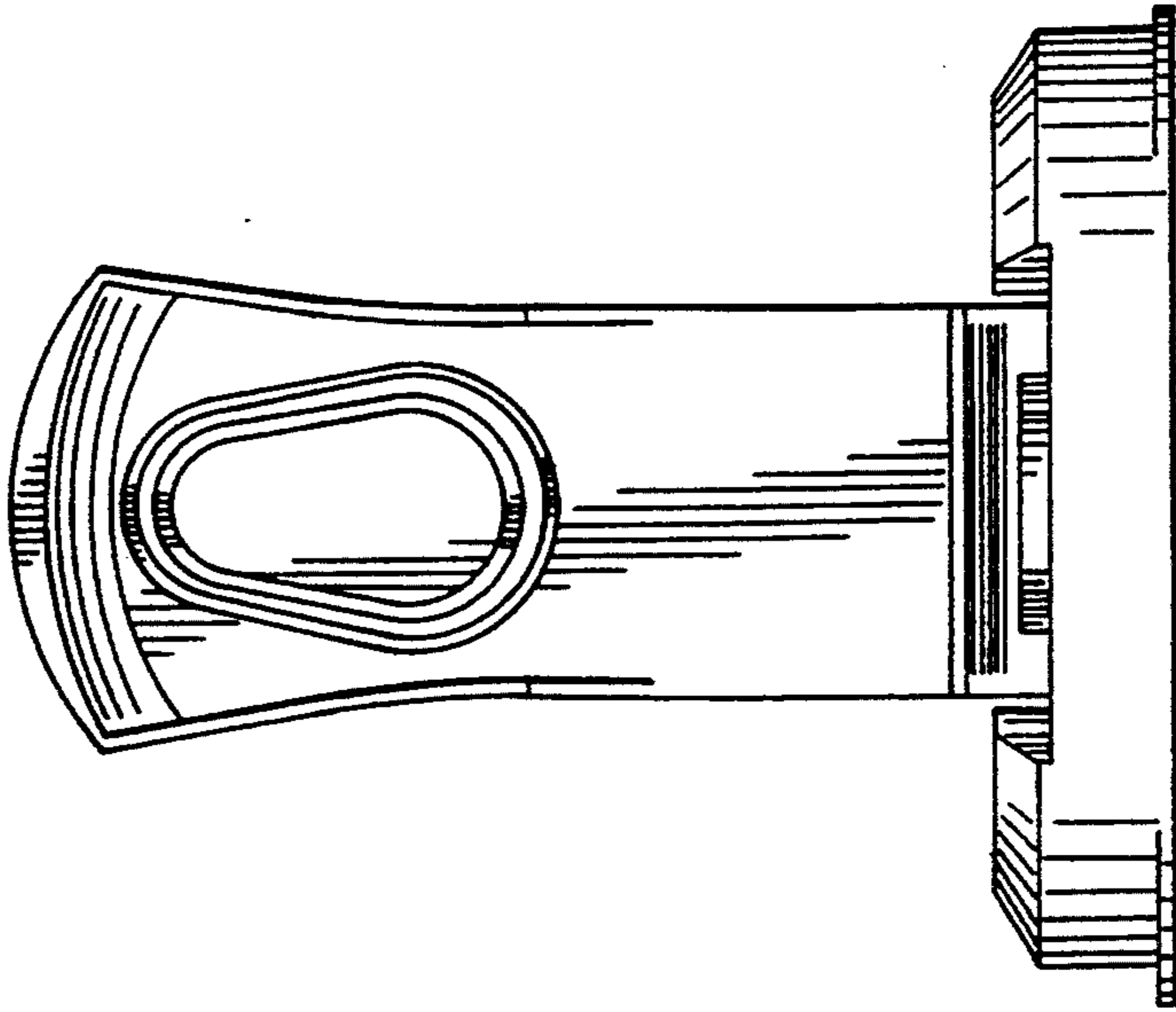


FIG. 10

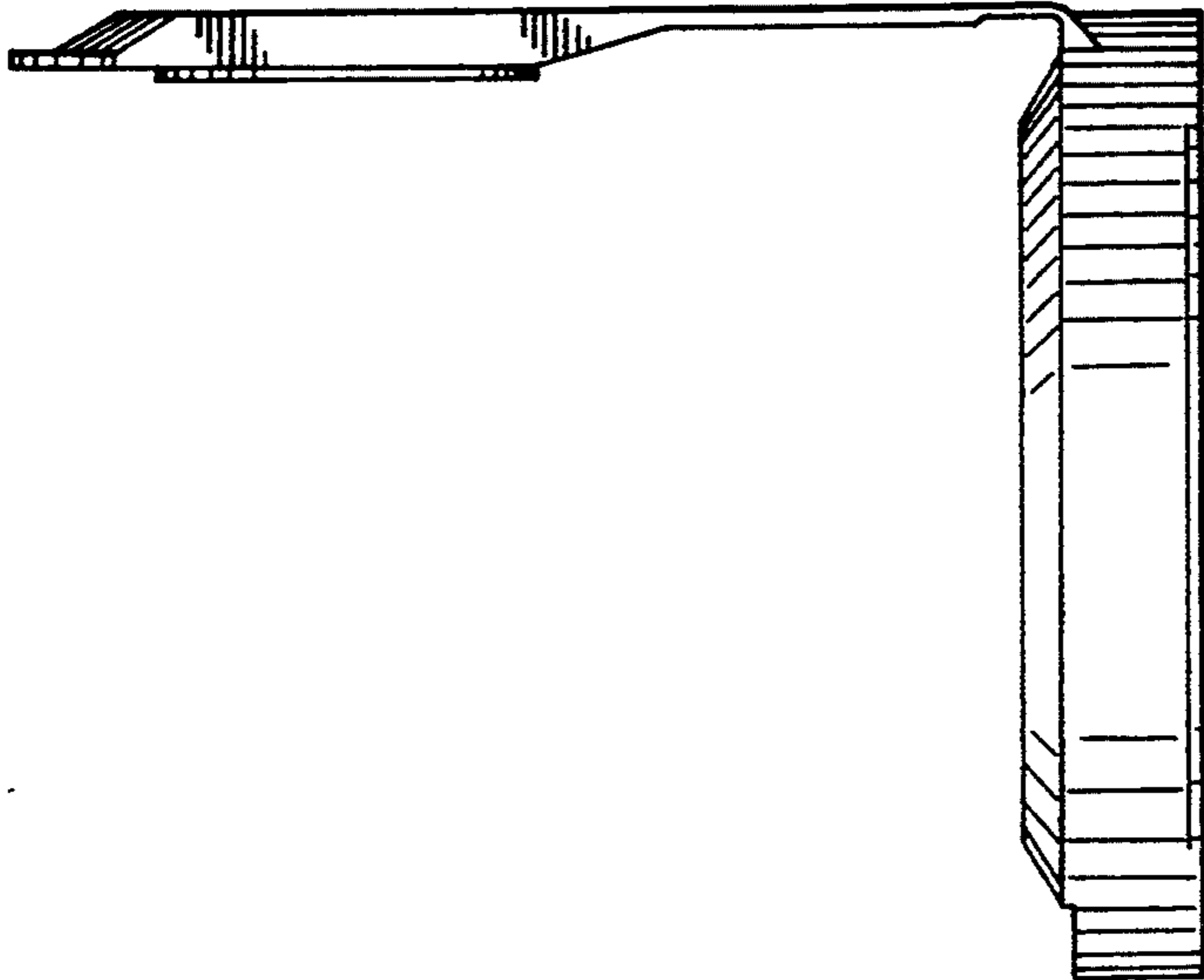


FIG.13

