



US00D355120S

United States Patent [19]

[11] Patent Number: **Des. 355,120**

Hotz

[45] Date of Patent: **** Feb. 7, 1995**

[54] **CONTAINER SPOUT**

[75] Inventor: **Jean-Marie Hotz**, Préles, Switzerland

[73] Assignee: **Tetra Laval Holdings & Finance, S.A.**, Pully, Switzerland

[**] Term: **14 Years**

[21] Appl. No.: **918,380**

[22] Filed: **Jul. 24, 1992**

[30] **Foreign Application Priority Data**

Jan. 24, 1992 [CH] Switzerland 119 525

[52] U.S. Cl. **D9/447; D9/449**

[58] Field of Search D9/300, 434-436, D9/440, 444-446, 447, 449, 499; D34/11; 215/317, 321; 220/259, 334, 340, 375; 222/569

[56] **References Cited**

U.S. PATENT DOCUMENTS

D. 47,182 4/1915 Danziger D9/300
D. 91,630 2/1934 Klein et al. D9/499

D. 259,169 5/1981 Bogner D34/11
3,255,928 6/1966 Foster 215/321 X
4,669,640 6/1987 Ando et al. 222/569 X
4,795,065 1/1989 Ashizawa et al. D9/447 X

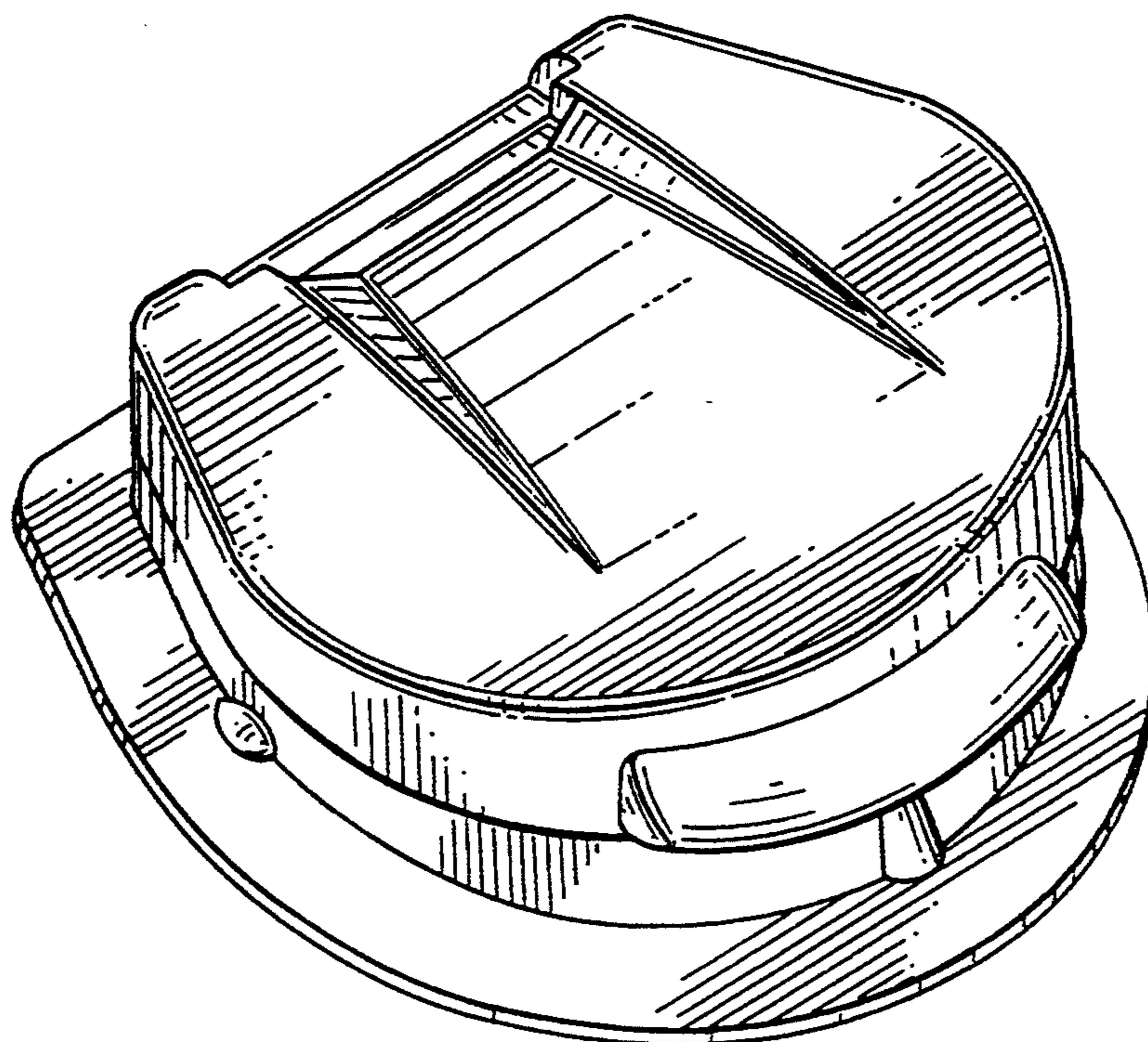
Primary Examiner—Nelson C. Holtje
Assistant Examiner—R. Spear
Attorney, Agent, or Firm—Armstrong, Westerman, Hattori, McLeland & Naughton

[57] **CLAIM**

The ornamental design of a container spout, as shown and described.

DESCRIPTION

FIG. 1 is a perspective view, taken from the top left of a container spout of the design of my invention showing the spout in the closed position;
FIG. 2 is a perspective view, taken from the top left thereof showing the spout in the open position;
FIG. 3 is a right side elevational view thereof, the left side being a mirror image of the right side;
FIG. 4 is a front elevational view thereof;
FIG. 5 is a rear elevational view thereof; and,
FIG. 6 is a bottom view thereof.



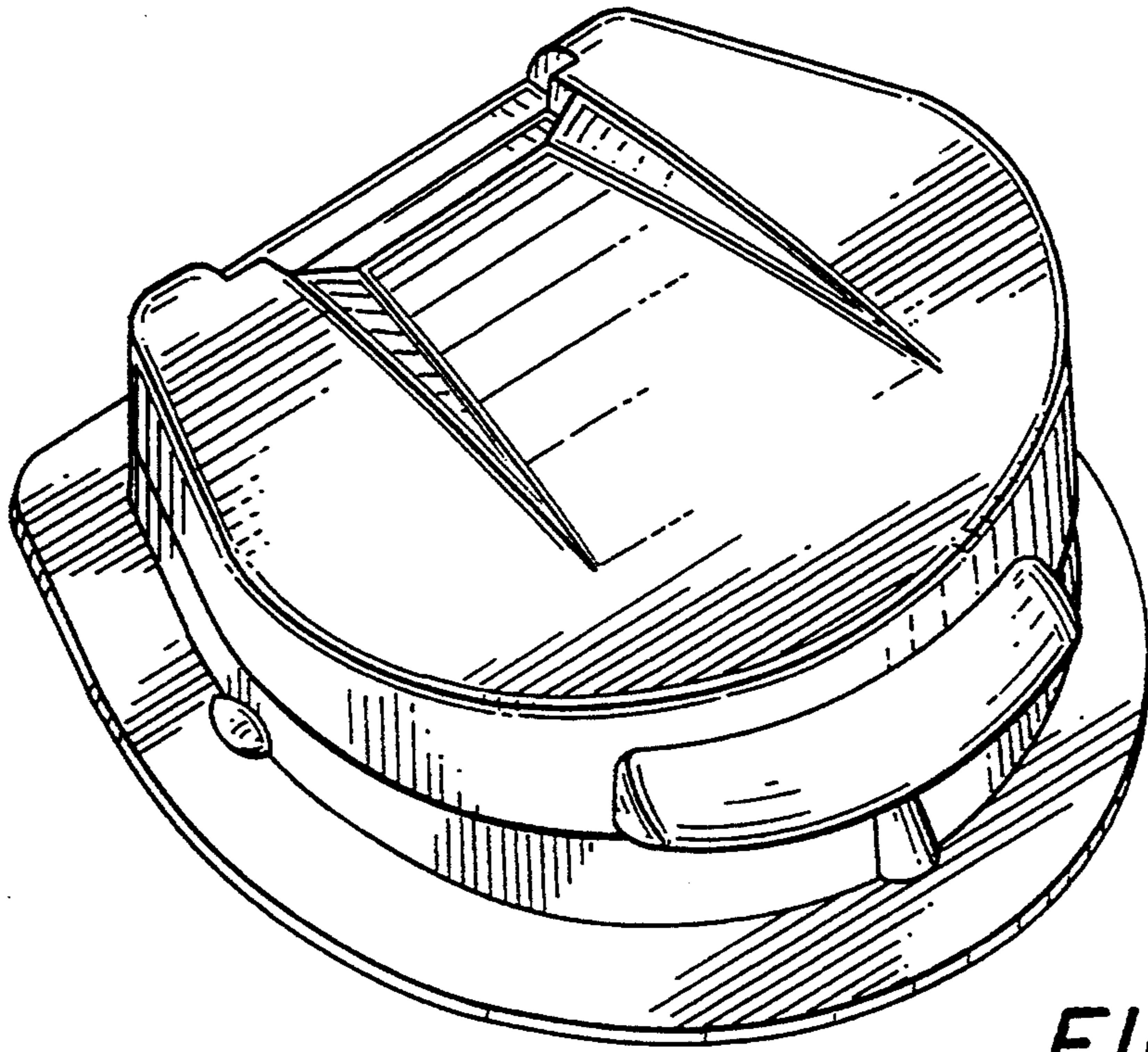


FIG. 1

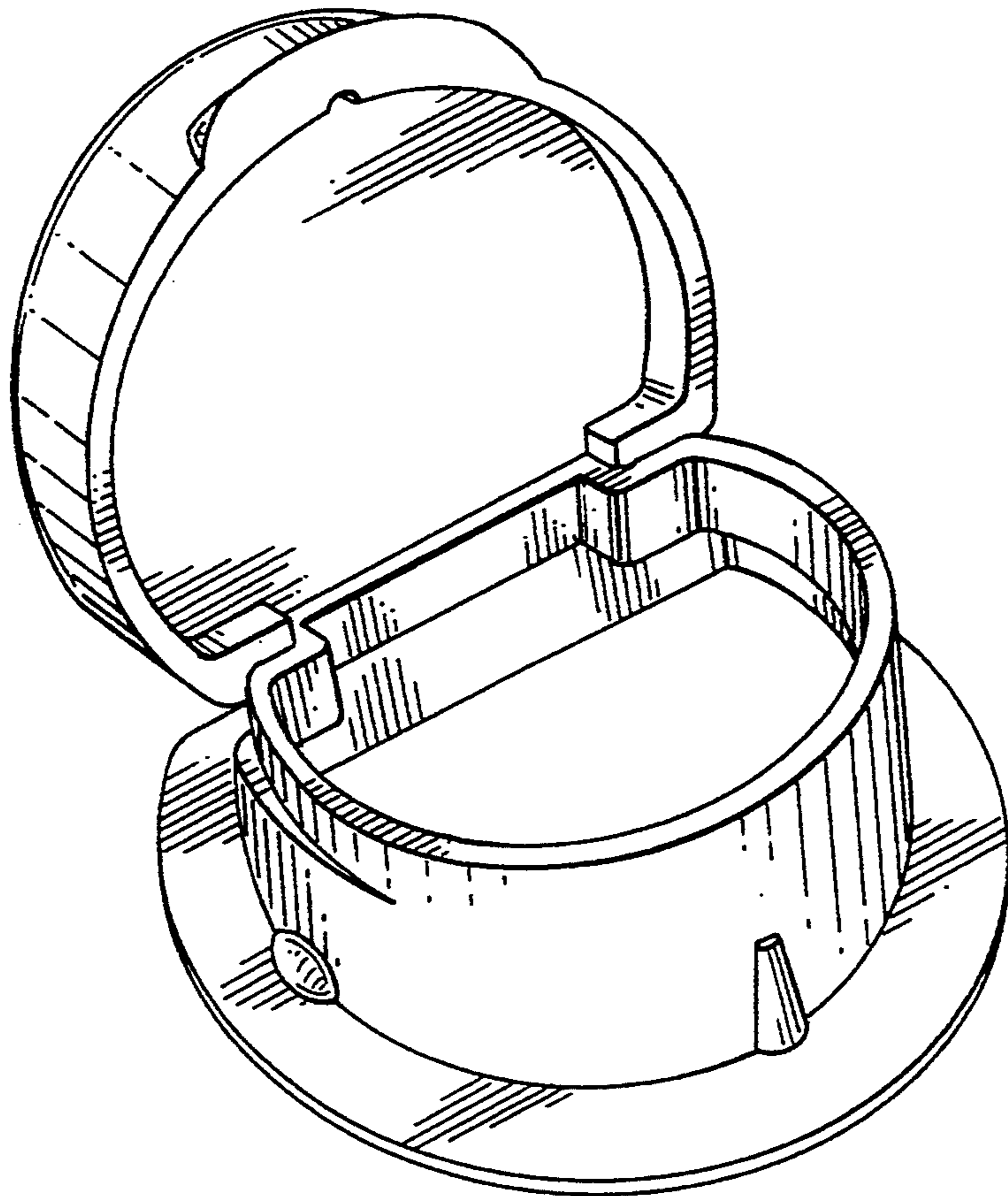


FIG. 2

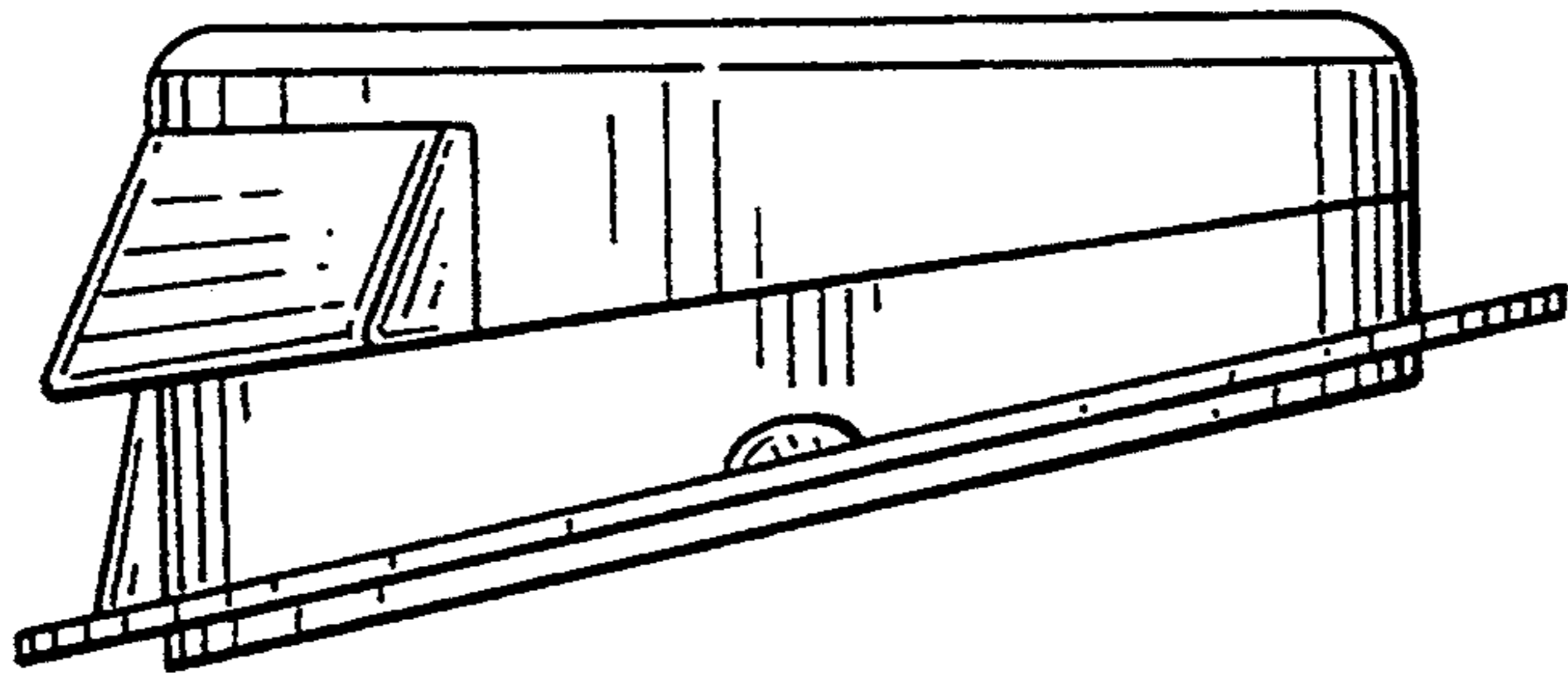


FIG. 3

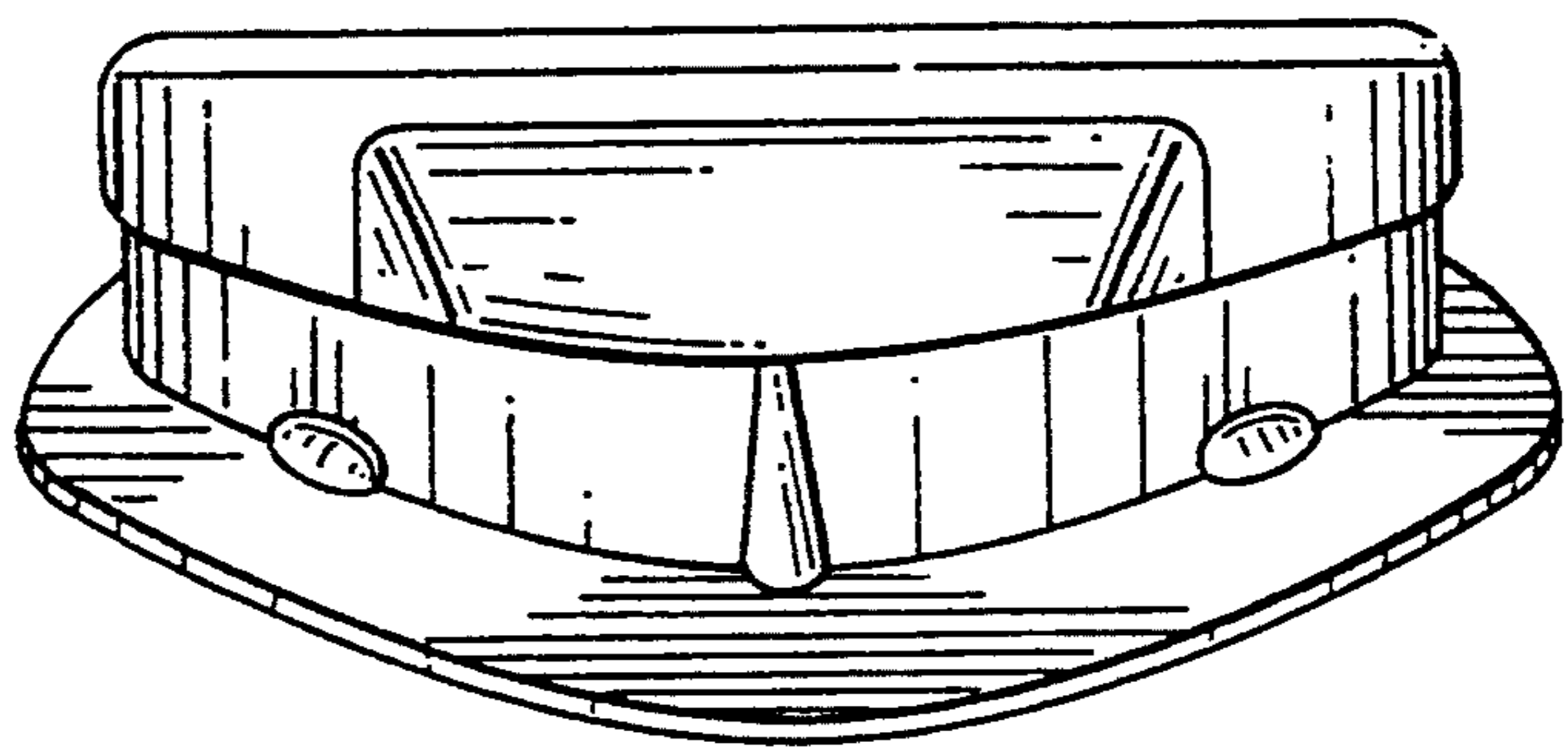


FIG. 4

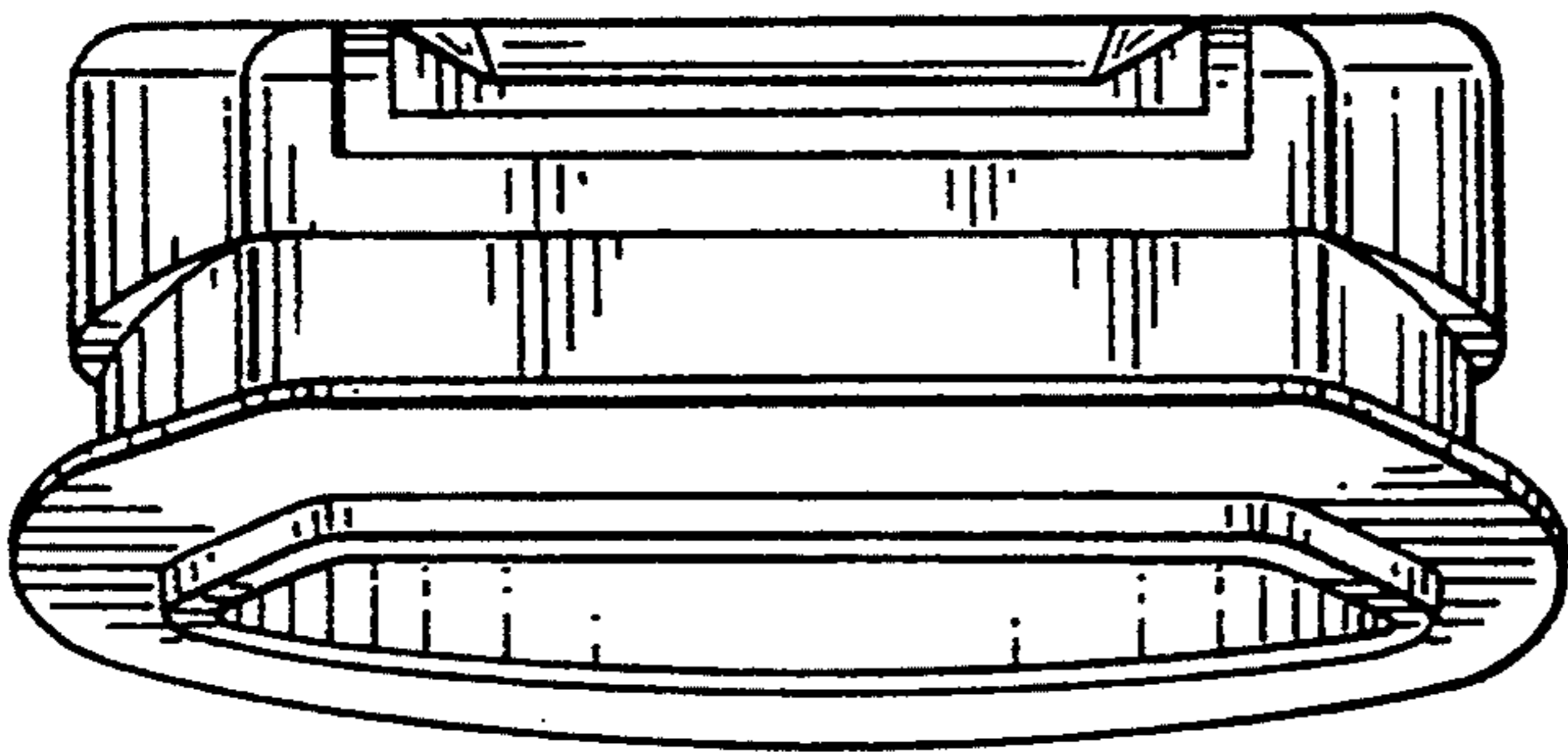


FIG. 5

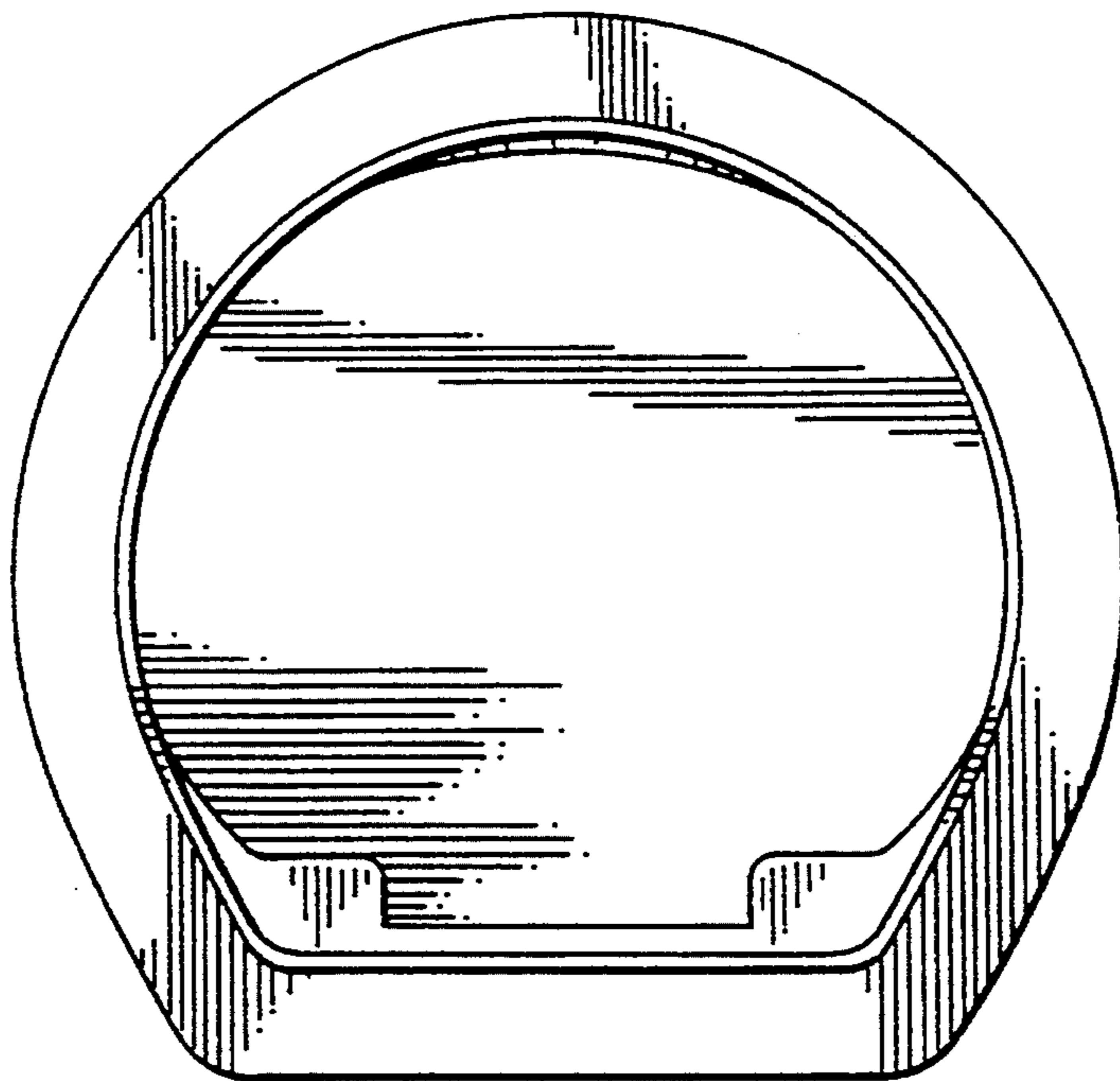


FIG. 6