



US00D355119S

United States Patent [19]

[11] Patent Number: **Des. 355,119**

Zimmermann et al.

[45] Date of Patent: **** Feb. 7, 1995**

[54] **CAP FOR CONTAINER**

[75] Inventors: **Jeffery A. Zimmermann, Somers, N.Y.; James M. Beck, Carol Stream, Ill.**

[73] Assignee: **Kraft General Foods, Inc., Northfield, Ill.**

[**] Term: **14 Years**

[21] Appl. No.: **2,724**

[22] Filed: **Dec. 17, 1992**

[52] U.S. Cl. **D9/440**

[58] Field of Search D7/300-301, D7/305, 312, 589; D9/434-436, 439-440, 443, 447, 449, 452-454; 215/100.5, 221, 228-229, 238, 247-248, 329; 220/212, 278, 360, 769; 222/391, 569

[56] **References Cited**

U.S. PATENT DOCUMENTS

- D. 178,961 10/1956 James D9/439
- D. 267,782 2/1983 Thompson D9/447
- D. 275,839 10/1984 Lutzker D9/439
- D. 281,581 12/1985 MacEwen D9/435

- D. 306,951 4/1990 Brändström et al. D9/447
- D. 307,115 4/1990 Waymack D9/447
- D. 319,980 9/1991 Garner D9/454
- 2,961,228 11/1960 Moore 220/360
- 3,263,876 8/1966 Perfetto 222/569

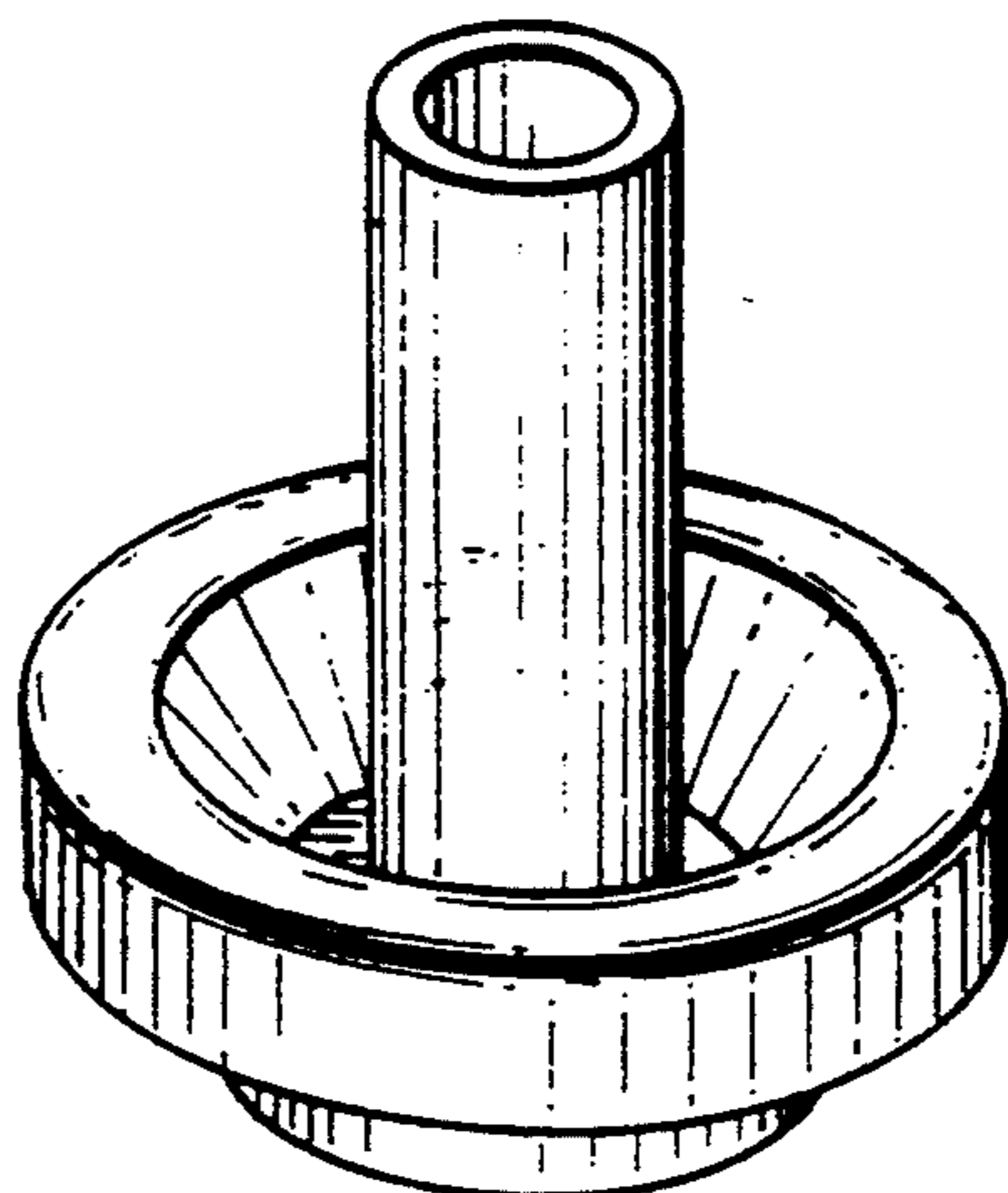
Primary Examiner—Alan P. Douglas
Assistant Examiner—R. Spear
Attorney, Agent, or Firm—Thomas R. Savoie; Thomas A. Marcoux

[57] **CLAIM**

The ornamental design for a cap for container, as shown and described.

DESCRIPTION

FIG. 1 is a top perspective view of a cap for container showing our new design;
FIG. 2 is a top plan view thereof;
FIG. 3 is a side elevational view thereof, all other side elevational views being identical thereto;
FIG. 4 is a bottom plan view thereof;
FIG. 5 is a sectional side elevation view thereof, taken along line 5—5 of FIG. 2; and,
FIG. 6 is a side elevation view thereof. The broken line showing of a container and tube is for illustrative purposes only and form no part of the claimed design.



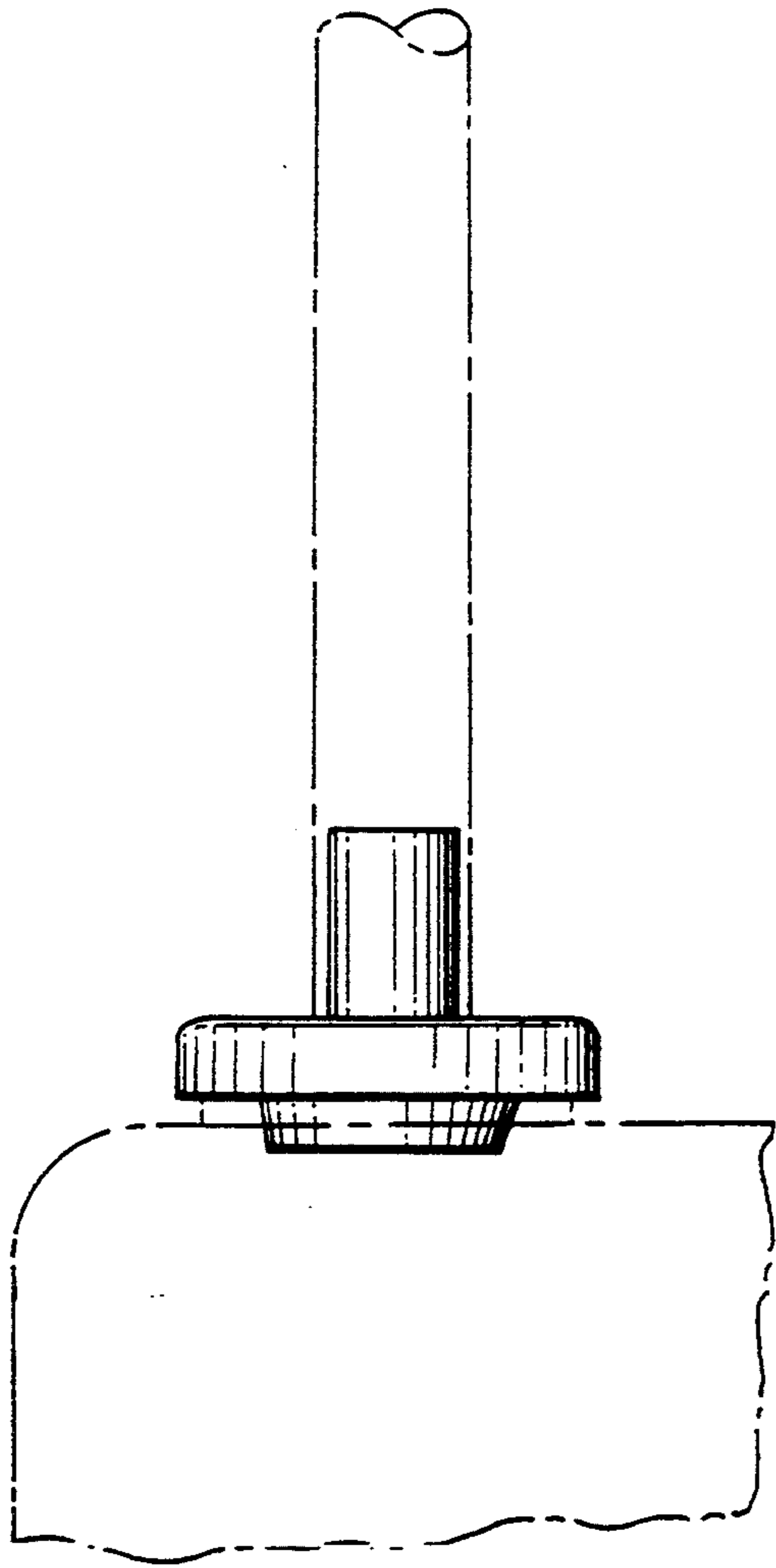


FIG. 6

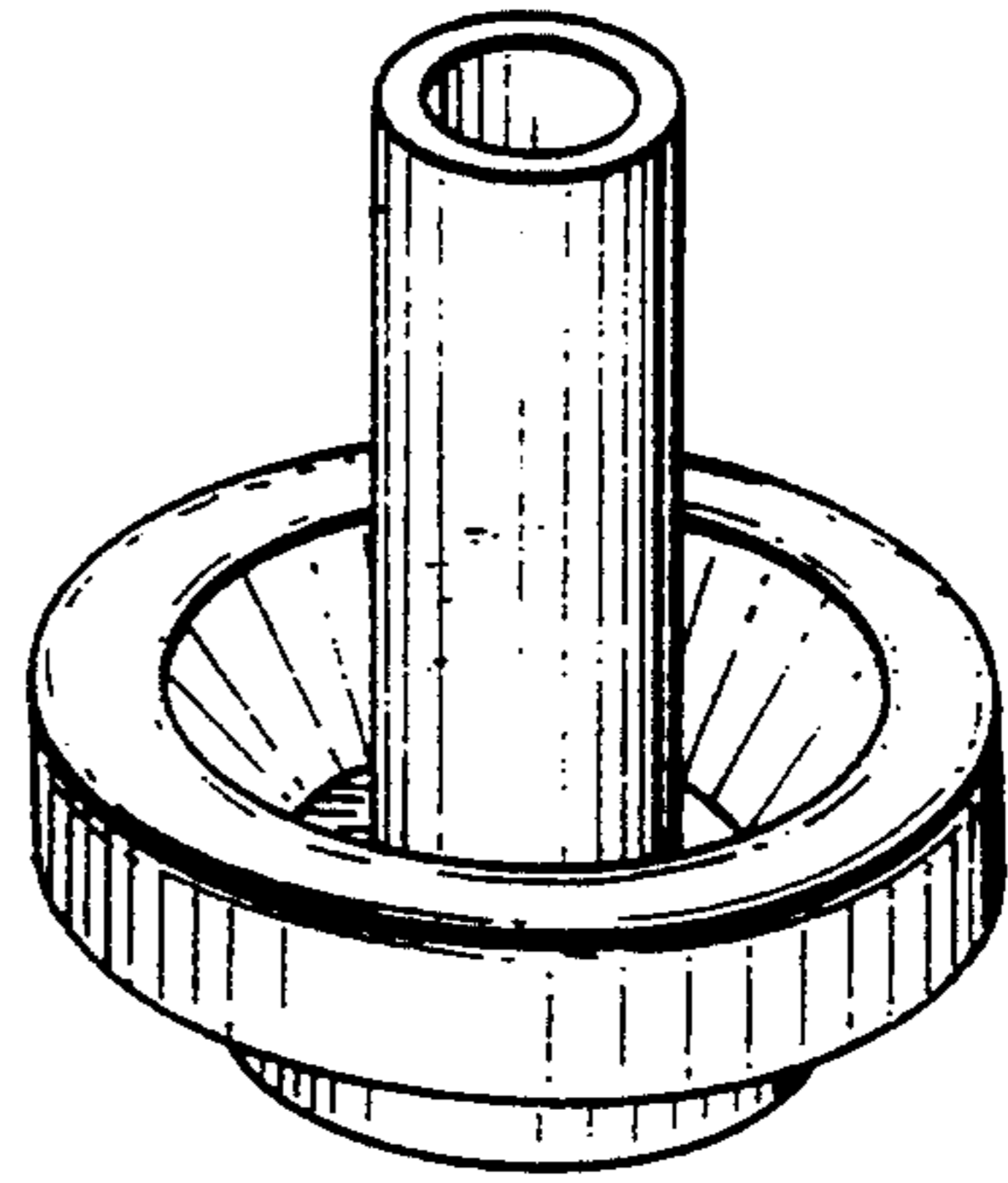


FIG. 1

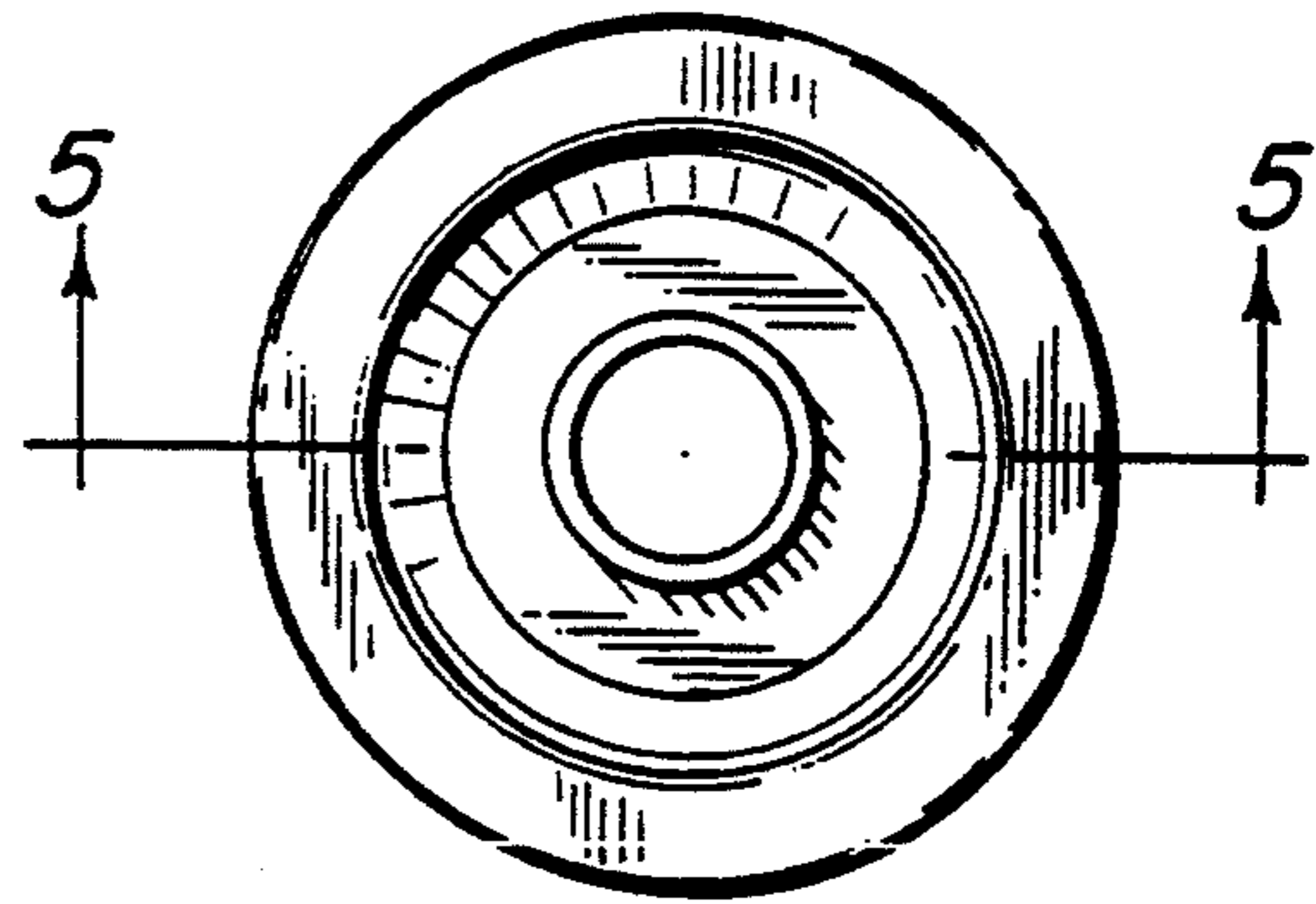


FIG. 2

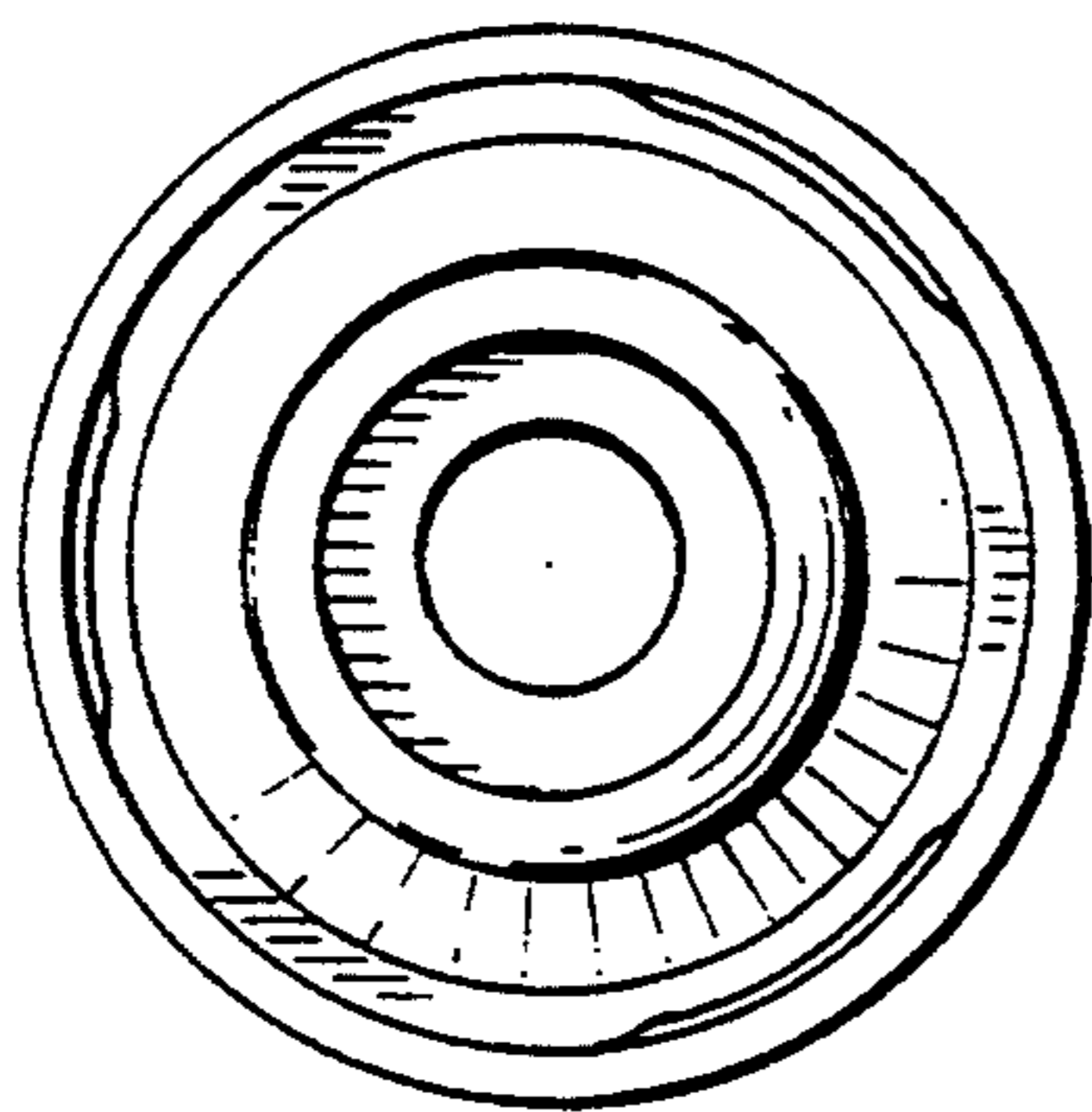


FIG. 4

FIG. 3

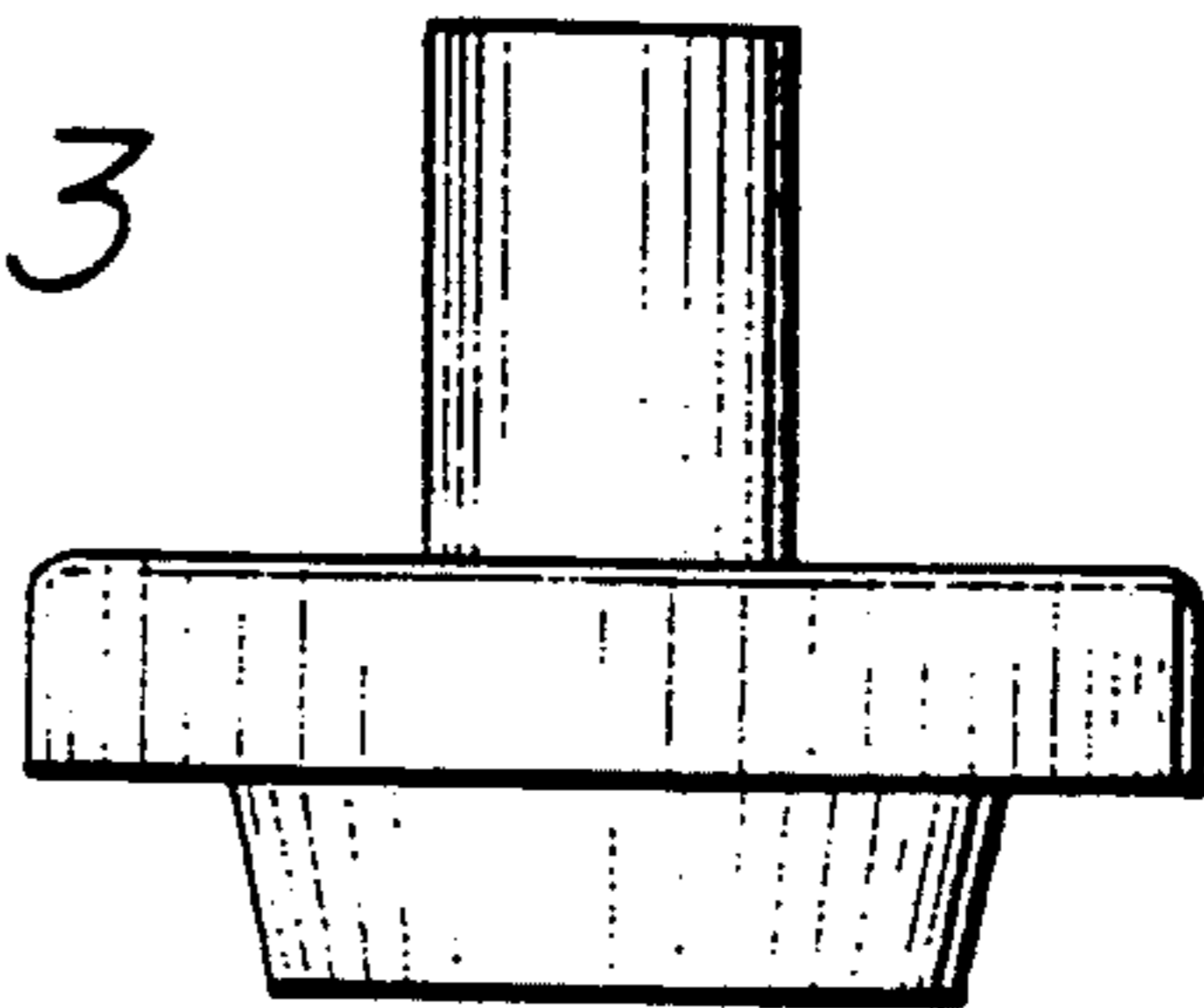


FIG. 5

