



US00D355114S

United States Patent [19]

[11] Patent Number: **Des. 355,114**

Wizman

[45] Date of Patent: **** Feb. 7, 1995**

[54] **WATCH SIZING PLATFORM**

5,273,264 12/1993 Chen 269/32

[75] Inventor: **Jacob Wizman**, Los Angeles, Calif.

Primary Examiner—Alan P. Douglas

[73] Assignee: **Severin Montres**, Irvine, Calif.

Assistant Examiner—J. H. Musgrove

[**] Term: **14 Years**

Attorney, Agent, or Firm—George F. Bethel; Patience K. Bethel

[21] Appl. No.: **17,859**

[57] **CLAIM**

[22] Filed: **Jan. 24, 1994**

The ornamental design for watch sizing platform, as shown and described.

[52] U.S. Cl. **D8/71**

[58] Field of Search D8/71, 72, 73, 74;
269/136, 221, 240, 244, 245, 246, 32, 282, 248,
283, 280

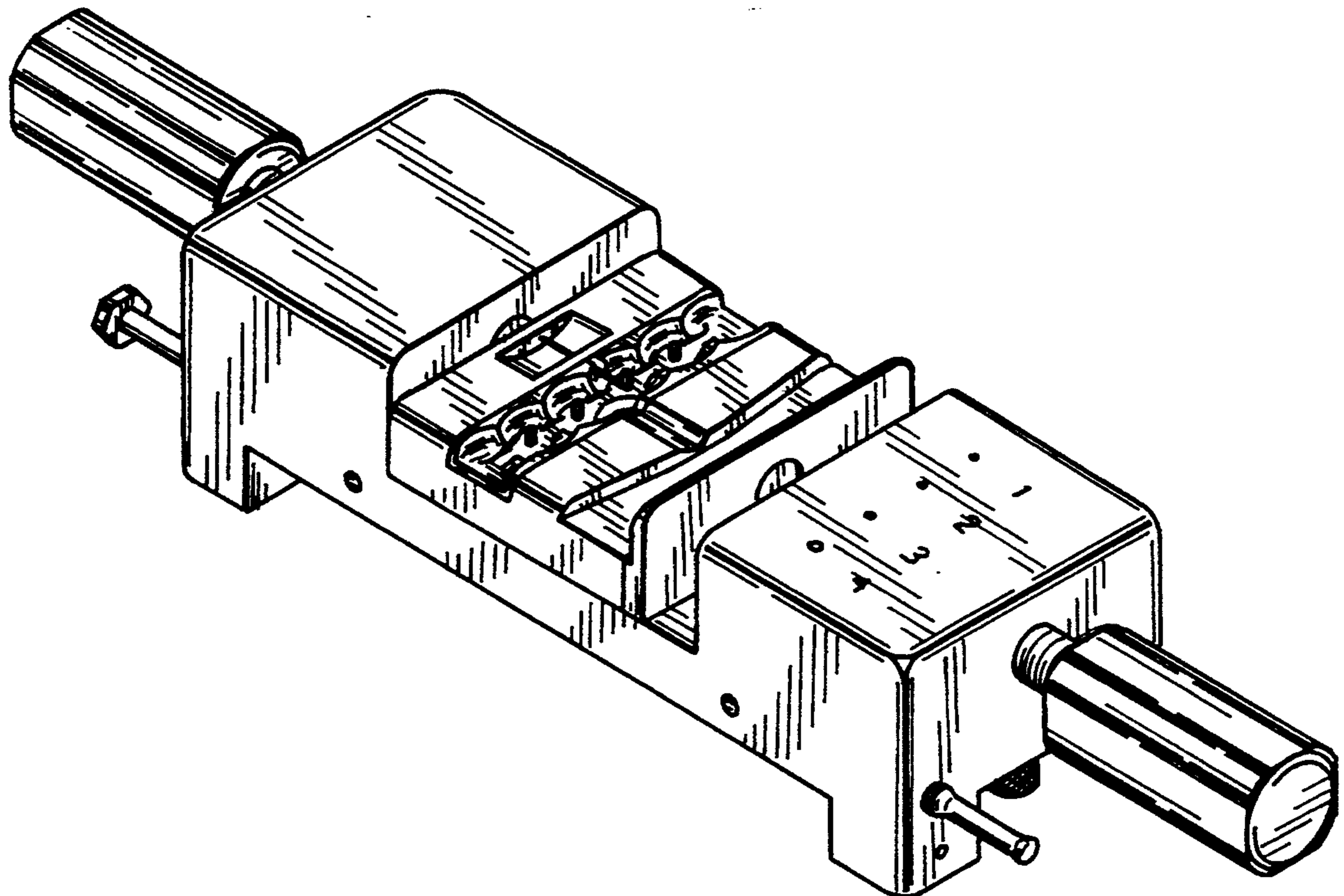
DESCRIPTION

FIG. 1 is a perspective view of our new and ornamental design for a watch sizing platform;
FIG. 2 is a top plan view thereof;
FIG. 3 is a frontal elevation view thereof;
FIG. 4 is an end view taken from the right hand side of FIG. 1;
FIG. 5 is a rear elevation view thereof;
FIG. 6 is an end view as taken from the left hand side of FIG. 1; and,
FIG. 7 is a bottom view thereof.

[56] **References Cited**

U.S. PATENT DOCUMENTS

D. 136,660	5/1991	Cukon	D8/71
D. 307,535	5/1990	Hsu	D8/71
D. 334,700	4/1993	Eller	D8/71
D. 349,226	8/1994	Ruyts	D8/71
5,251,887	10/1993	Arnold et al.	269/136



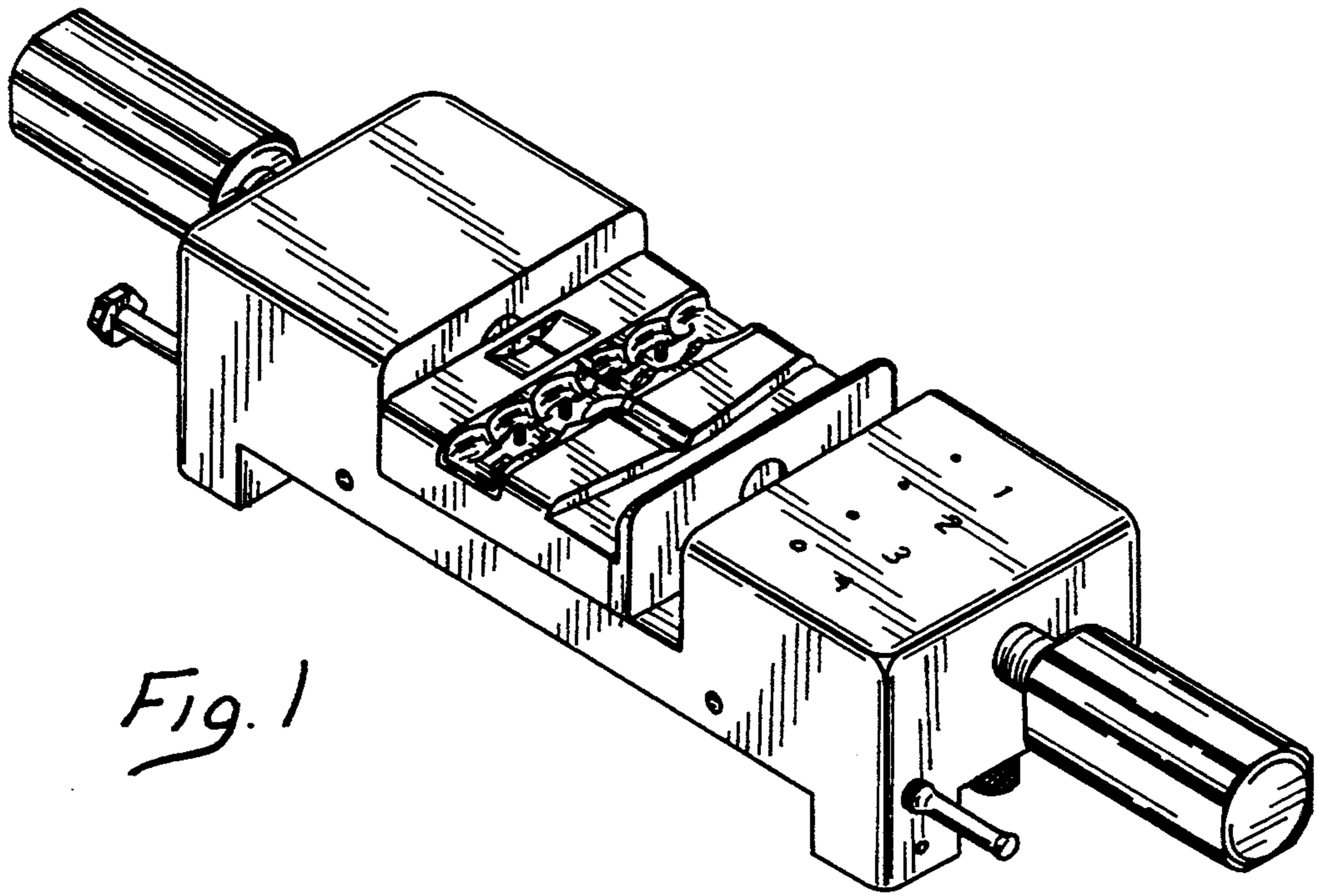


Fig. 1

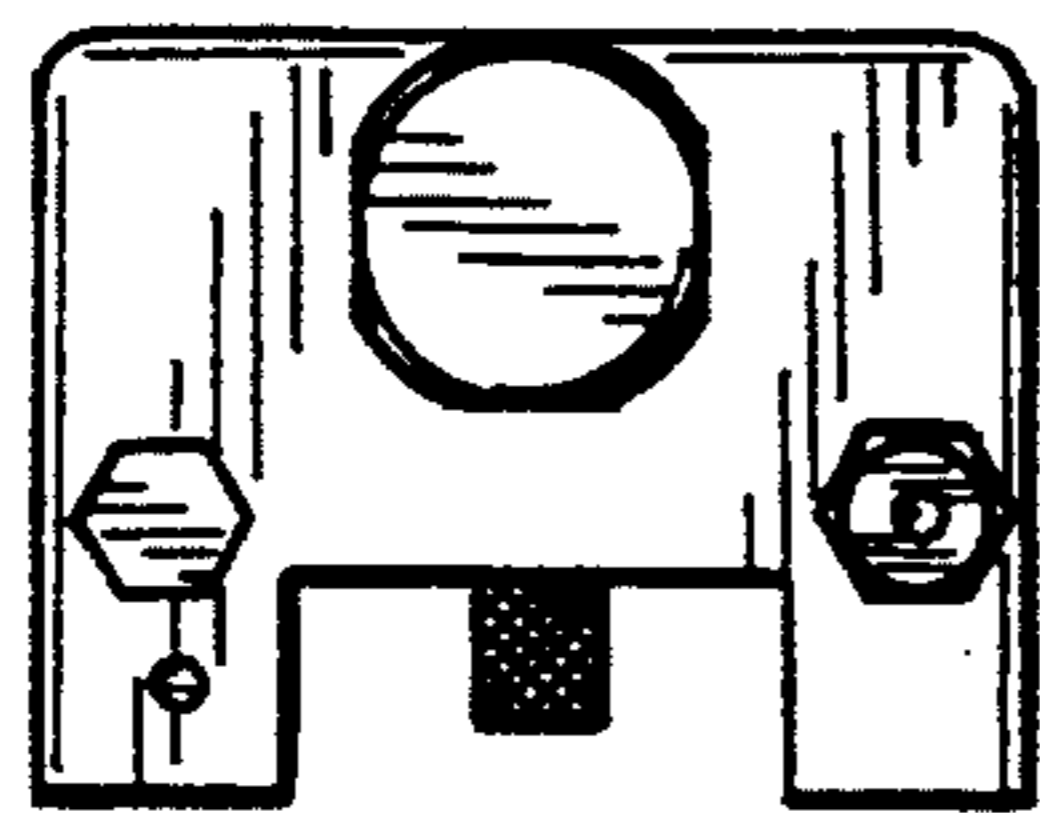


Fig. 6

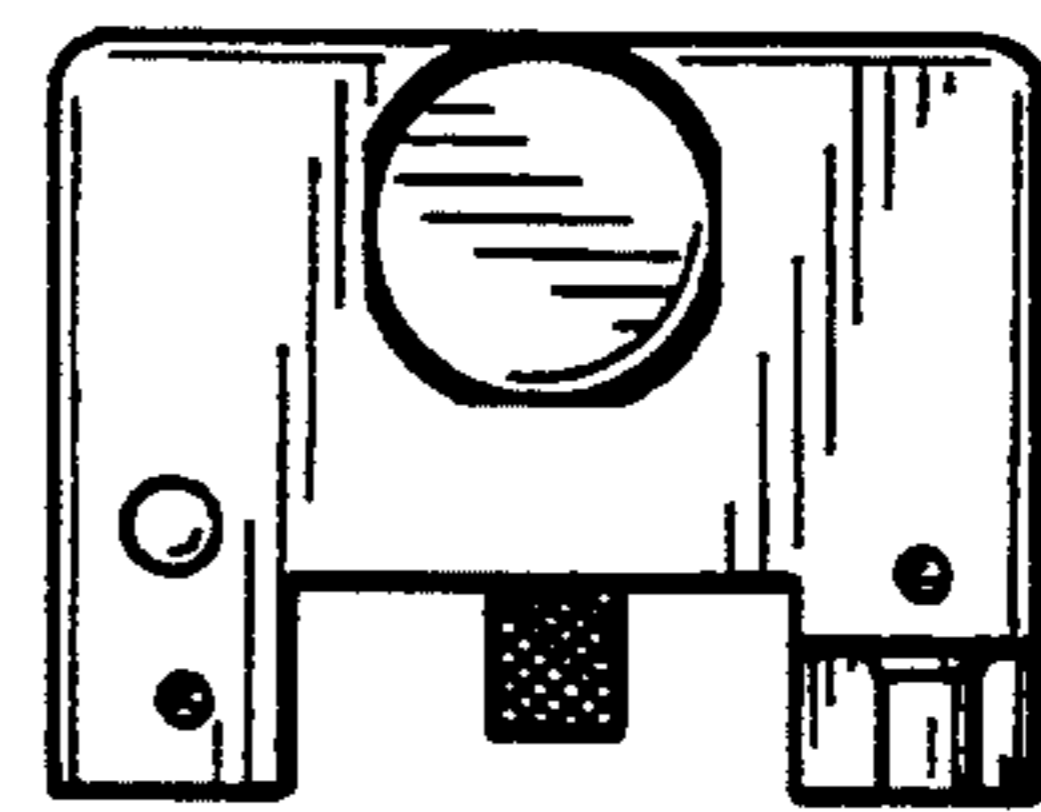


Fig. 4

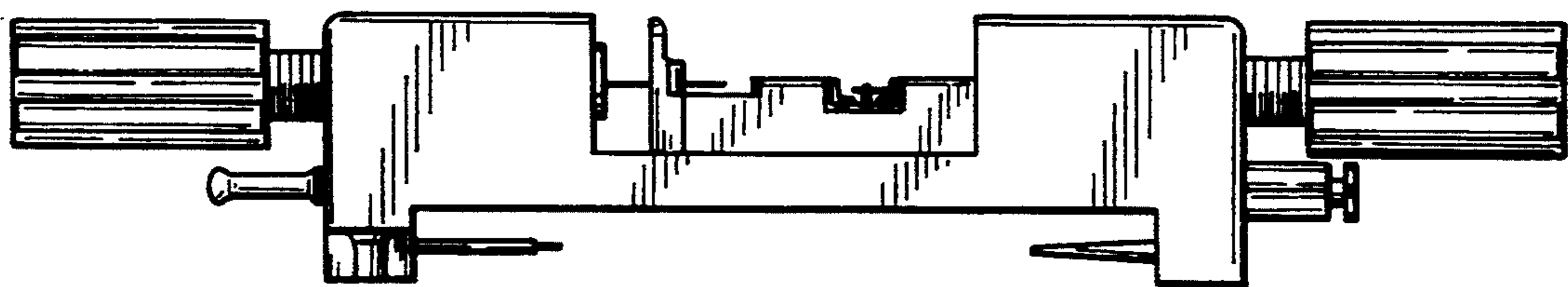


Fig. 5

Fig. 2

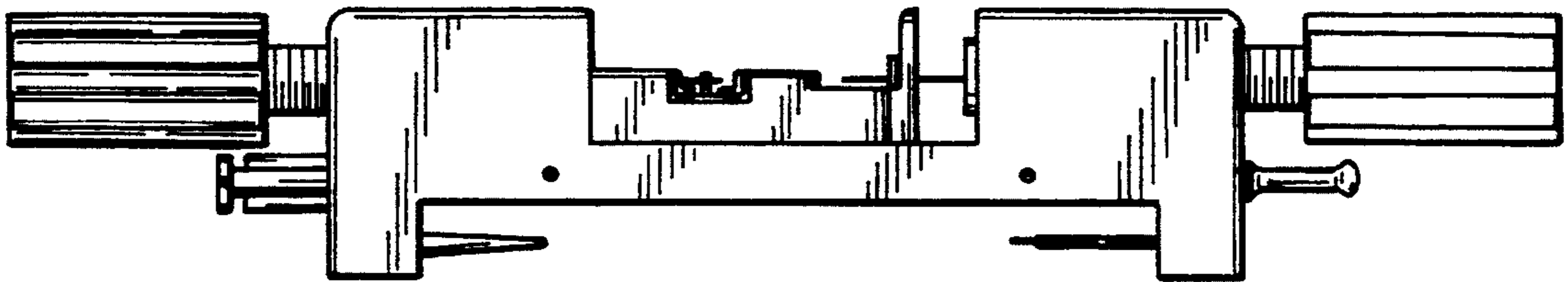
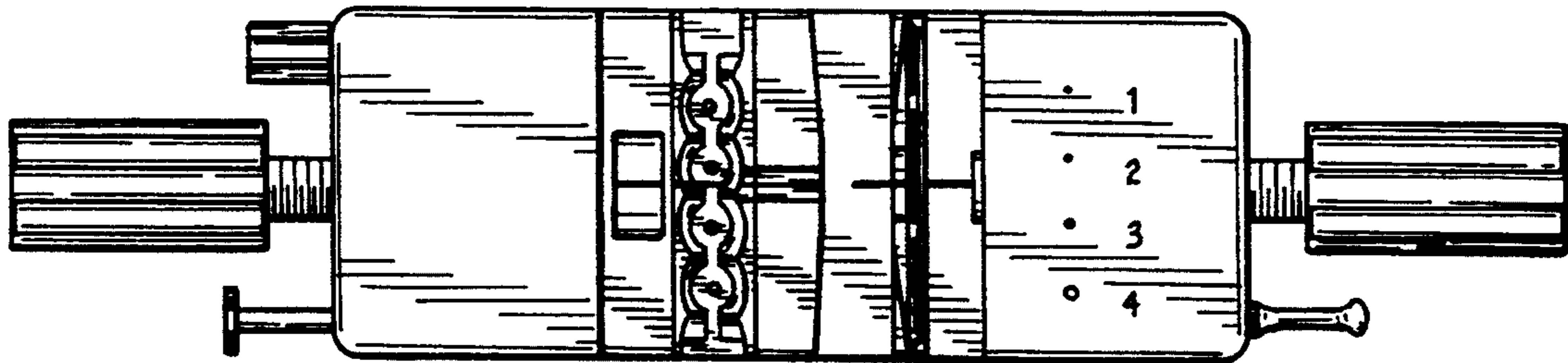


Fig. 3

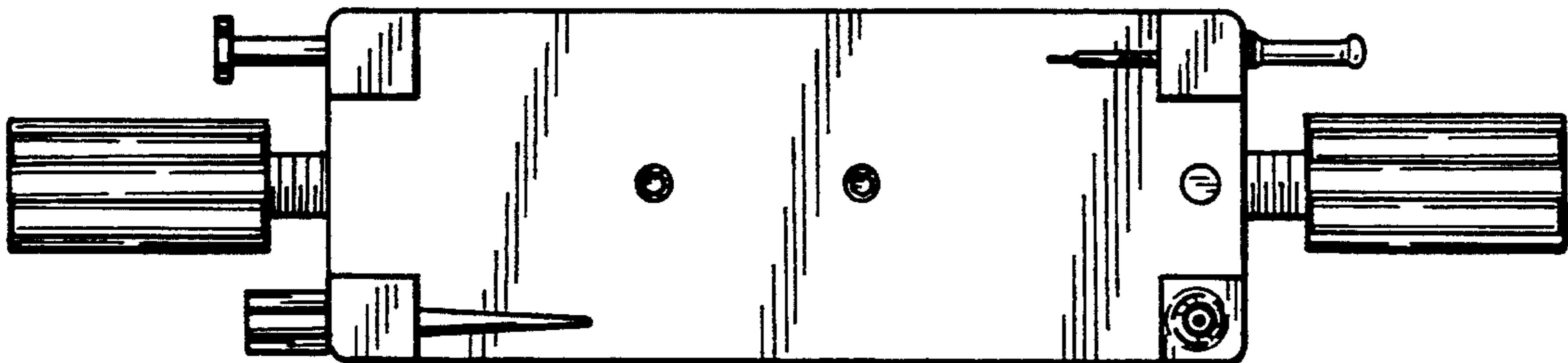


Fig. 7