



US00D355111S

# United States Patent [19]

[11] Patent Number: **Des. 355,111**

**Janssen**

[45] Date of Patent: **\*\* Feb. 7, 1995**

[54] **FILAMENT WINDING REEL**

[76] Inventor: **Keith D. Janssen**, 9906 Elliott Rd., Snohomish, Wash. 98290

[\*\*] Term: **14 Years**

[21] Appl. No.: **14,998**

[22] Filed: **Nov. 8, 1993**

[52] U.S. Cl. .... **D8/359**

[58] Field of Search ..... **D8/358, 359; D22/137-138, 140; 242/96, 77; 244/155 A**

1,944,669 1/1934 Purdy ..... 242/96  
3,302,320 2/1967 Breeden ..... 242/96 X  
4,915,320 4/1990 Neal ..... 242/96

*Primary Examiner*—Wallace R. Burke

*Assistant Examiner*—H. Baynham

[57] **CLAIM**

The ornamental design for the filament winding reel, as shown and described.

**DESCRIPTION**

FIG. 1 is a front elevational view of the filament winding reel showing my new design; FIG. 2 is a rear elevational view thereof; FIG. 3 is a left side elevational view thereof; FIG. 4 is a right side elevational view thereof; FIG. 5 is a top plan view thereof; and, FIG. 6 is a bottom plan view thereof.

[56] **References Cited**  
**U.S. PATENT DOCUMENTS**

D. 280,230	8/1985	Matsui	.....	D8/358 X
823,931	6/1906	Connell	.....	242/96
1,579,886	4/1926	Oxner	.....	242/96
1,862,611	6/1932	Swearingen	.....	242/96

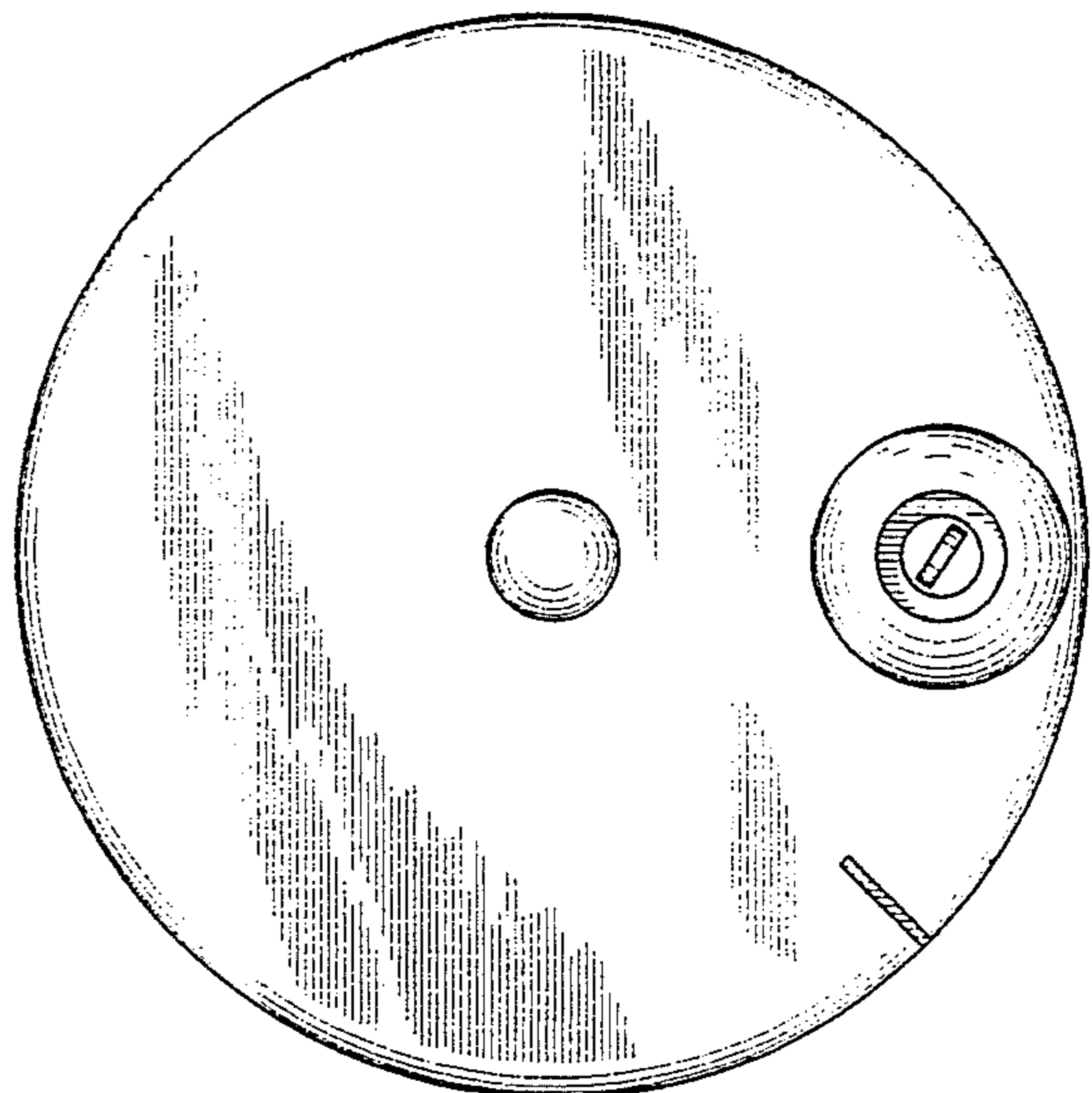
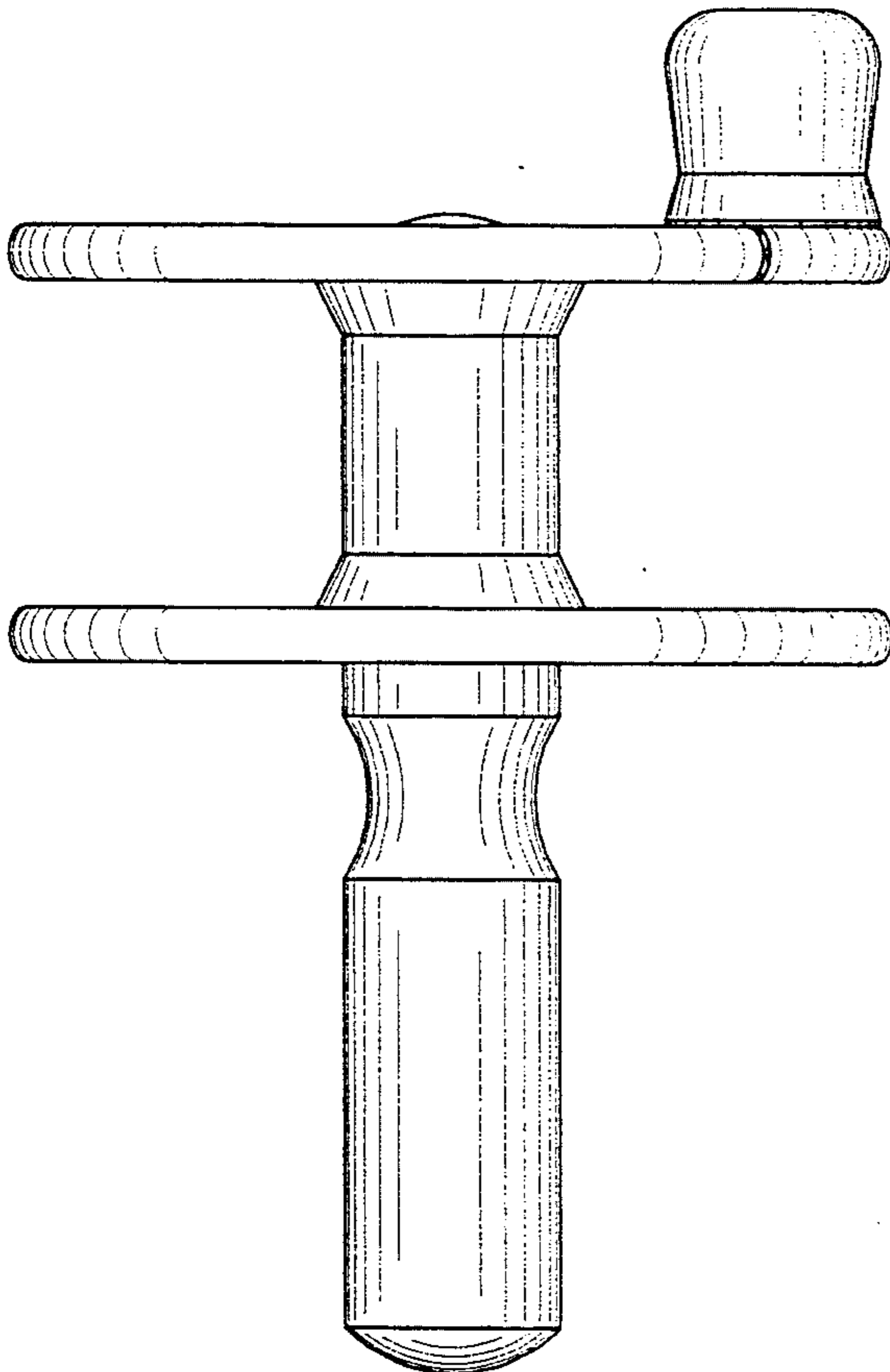


FIG. 1

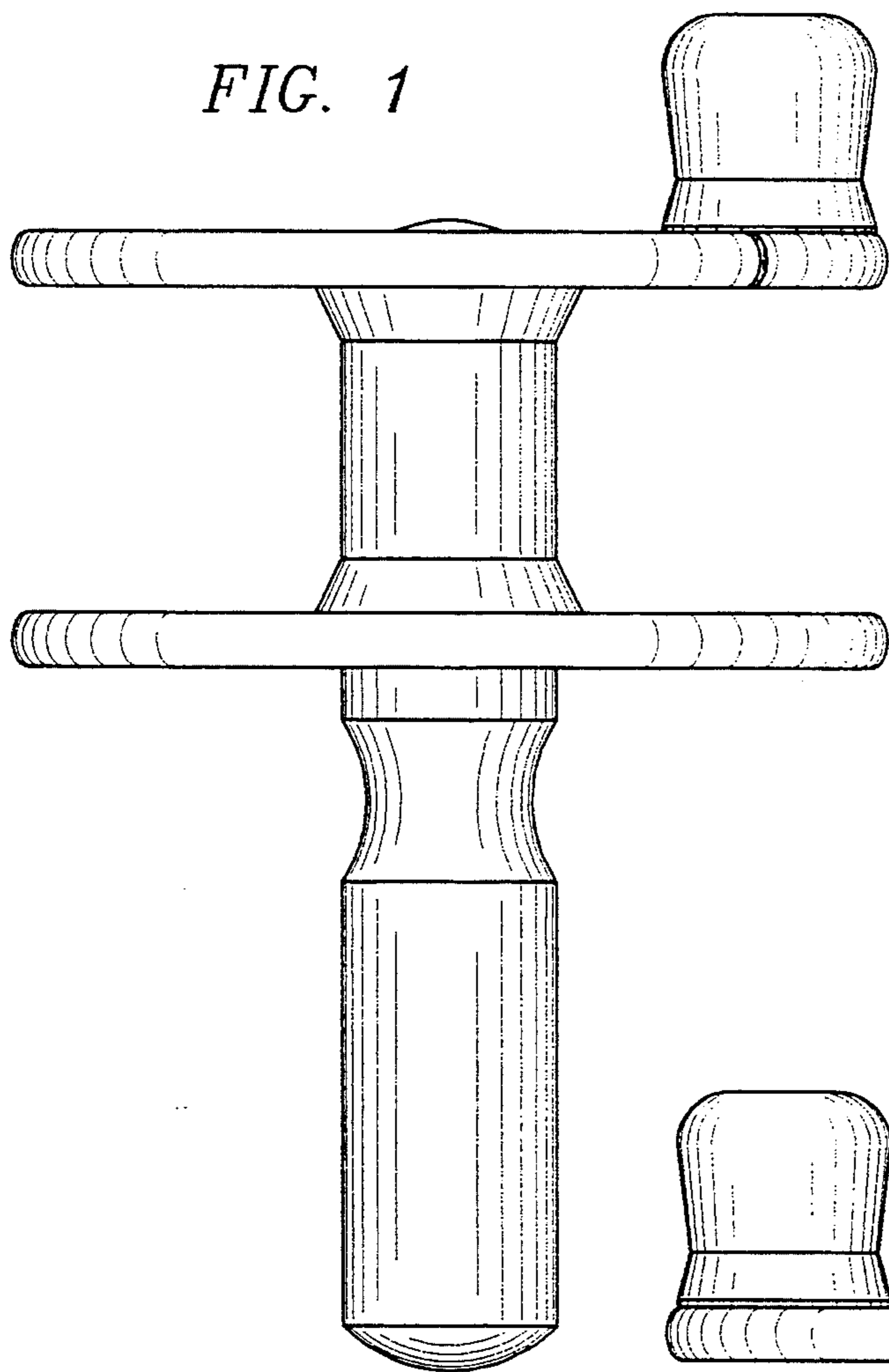


FIG. 2

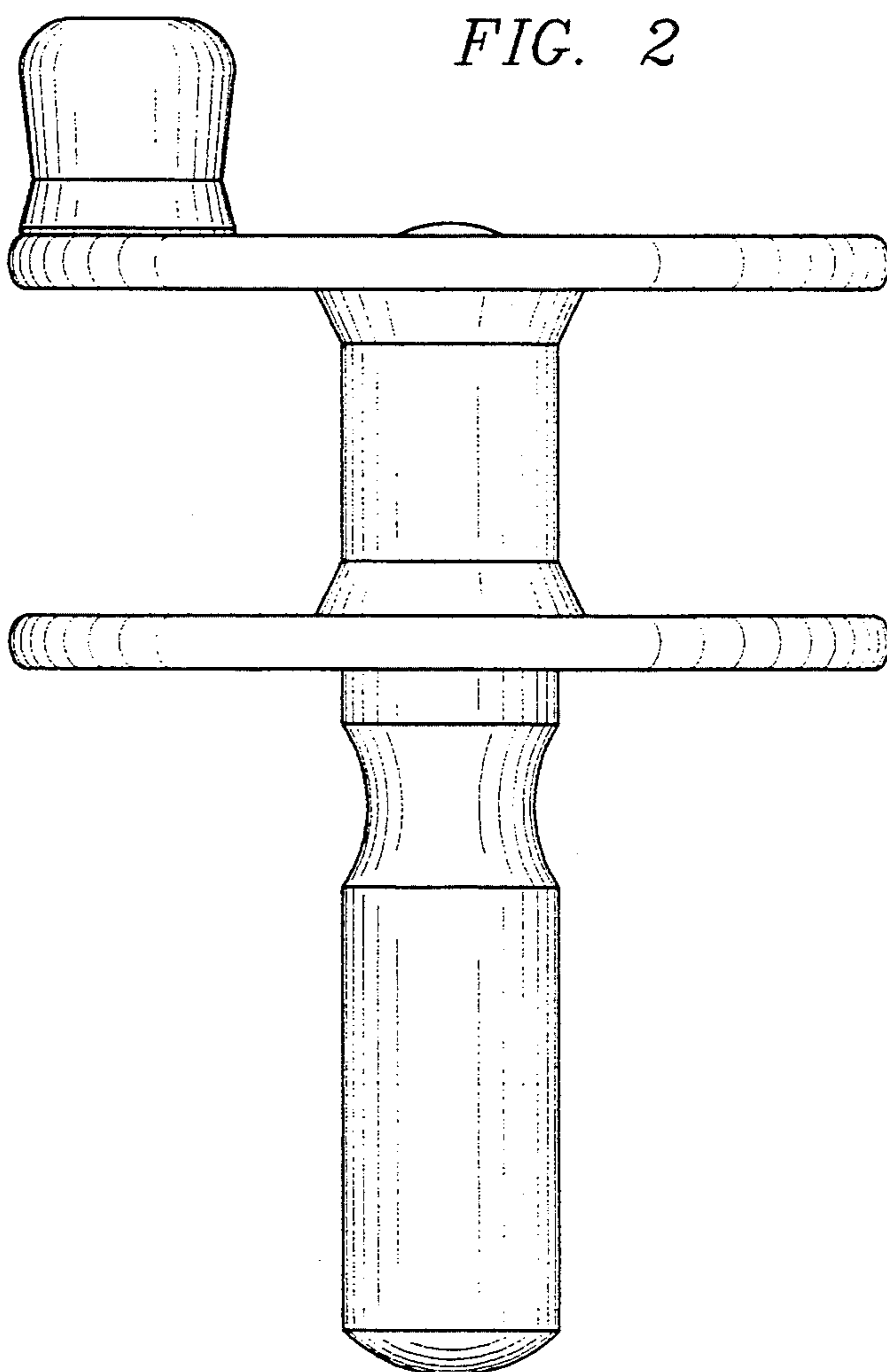


FIG. 3

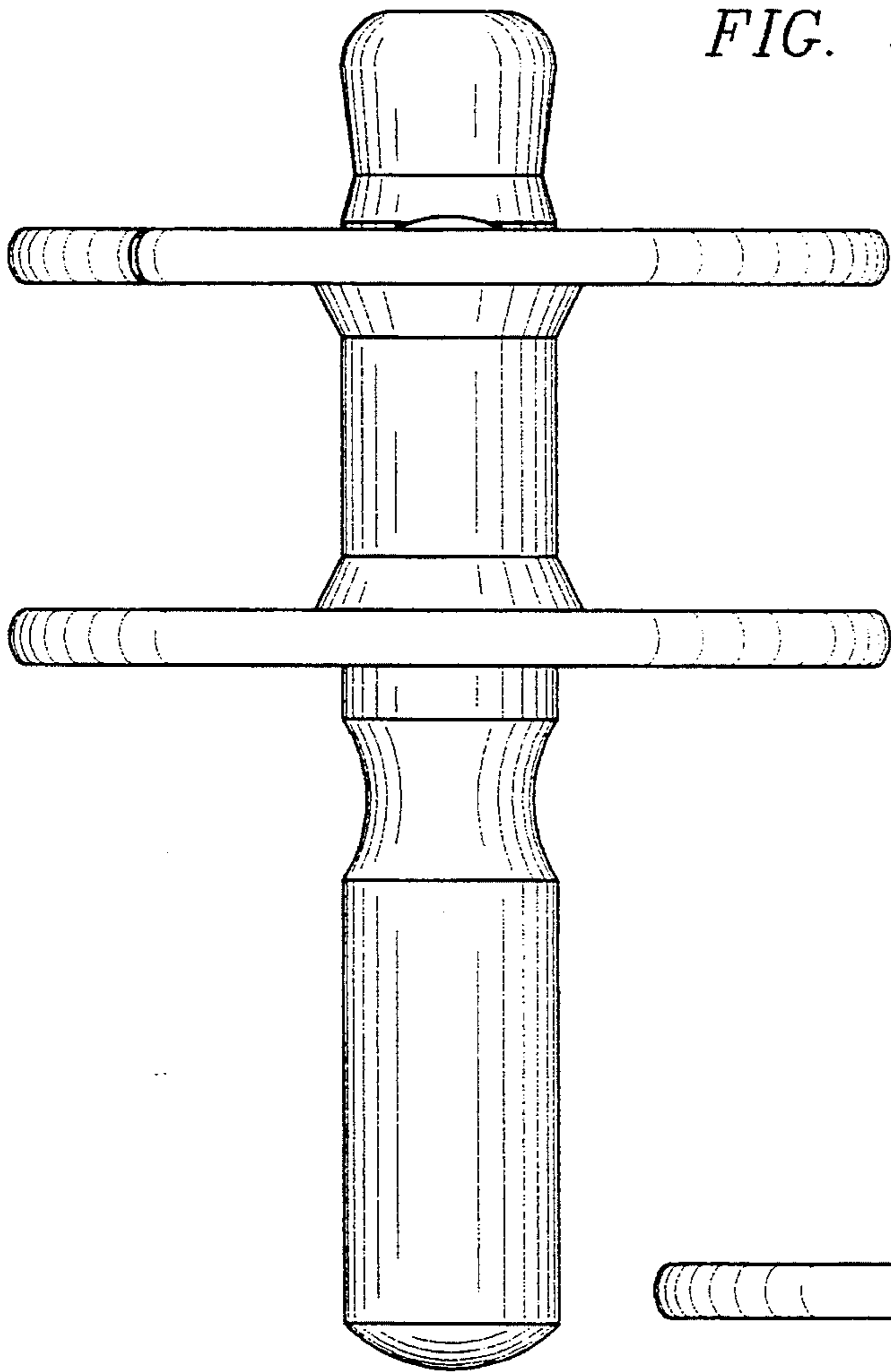


FIG. 4

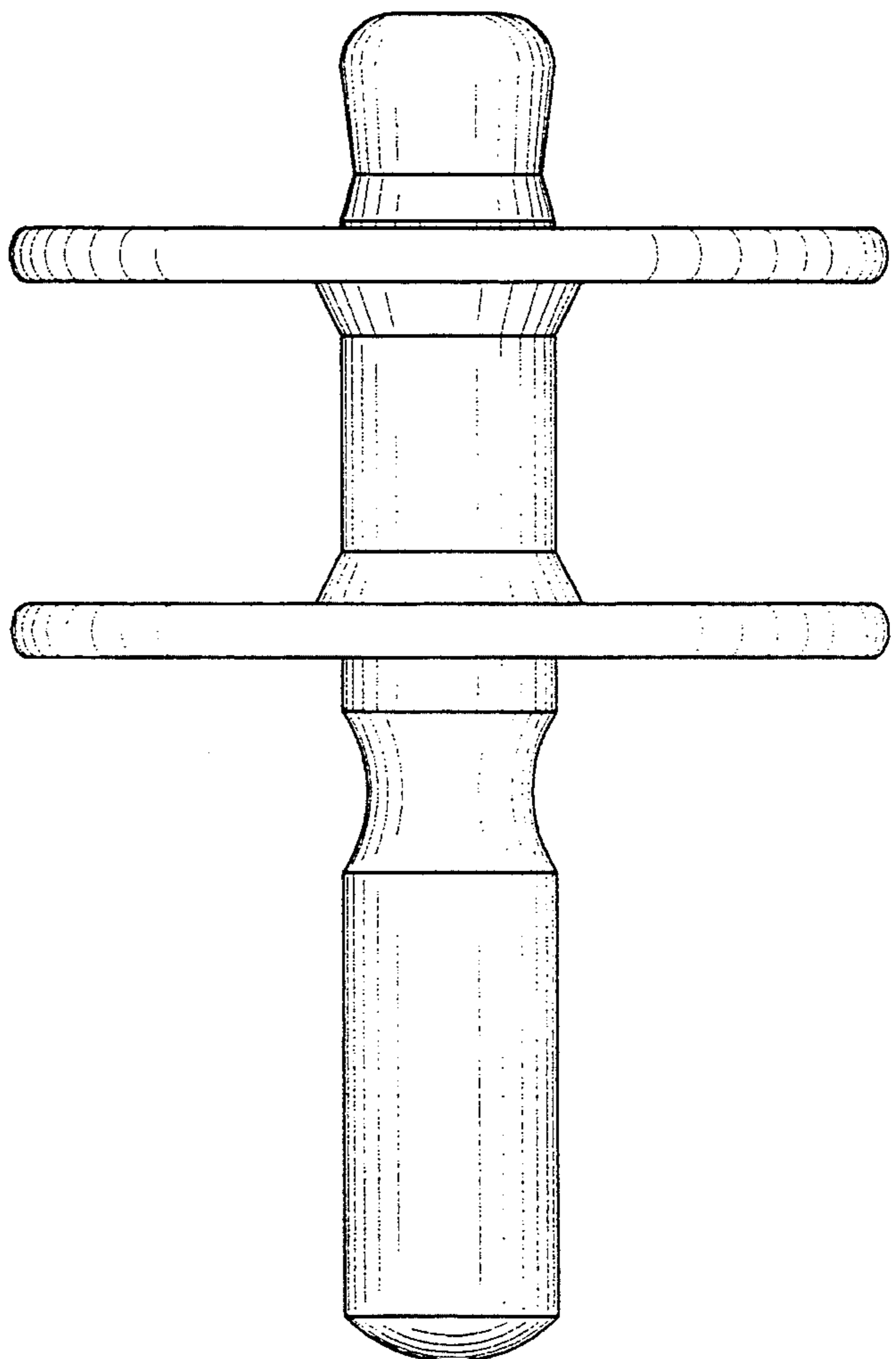


FIG. 5

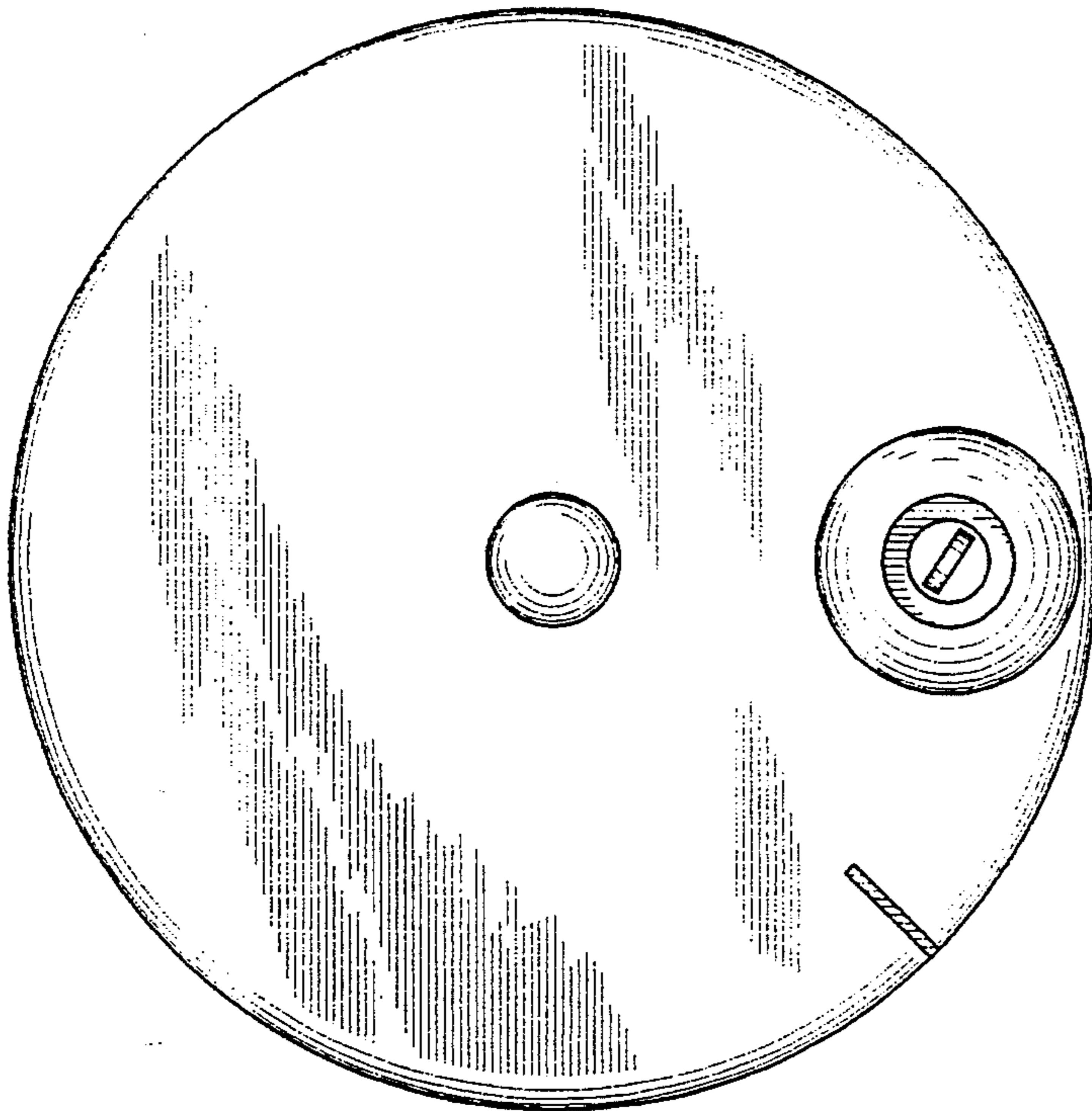


FIG. 6

