



US00D355108S

United States Patent [19]

[11] Patent Number: **Des. 355,108**

Lage et al.

[45] Date of Patent: **** Feb. 7, 1995**

[54] **ENVELOPE OPENER**

[75] Inventors: **David P. Lage, Manchester; Albert P. Carney, Ellisville, both of Mo.**

[73] Assignee: **Quick Point, Inc., Fenton, Mo.**

[**] Term: **14 Years**

[21] Appl. No.: **13,751**

[22] Filed: **Oct. 1, 1993**

[52] U.S. Cl. **D8/103; D8/102; D19/72**

[58] Field of Search **D19/42, 65, 72, 99, D19/100; D8/102, 103, 104; 30/278, 286, 289, 294, DIG. 3**

[56] **References Cited**

U.S. PATENT DOCUMENTS

D. 316,273	4/1991	Tsuji	D19/65 X
D. 329,584	9/1992	Shevin et al.	D8/102
D. 341,307	11/1993	Lage et al.	D8/103
306,394	3/1990	Koenig	D8/102
329,183	9/1992	Lage et al.	D8/102
329,184	9/1992	Lage et al.	D8/103
3,028,670	4/1962	Tilly	30/DIG. 3

OTHER PUBLICATIONS

Quick Point Catalog, 1992, Title page and pages 16-22.

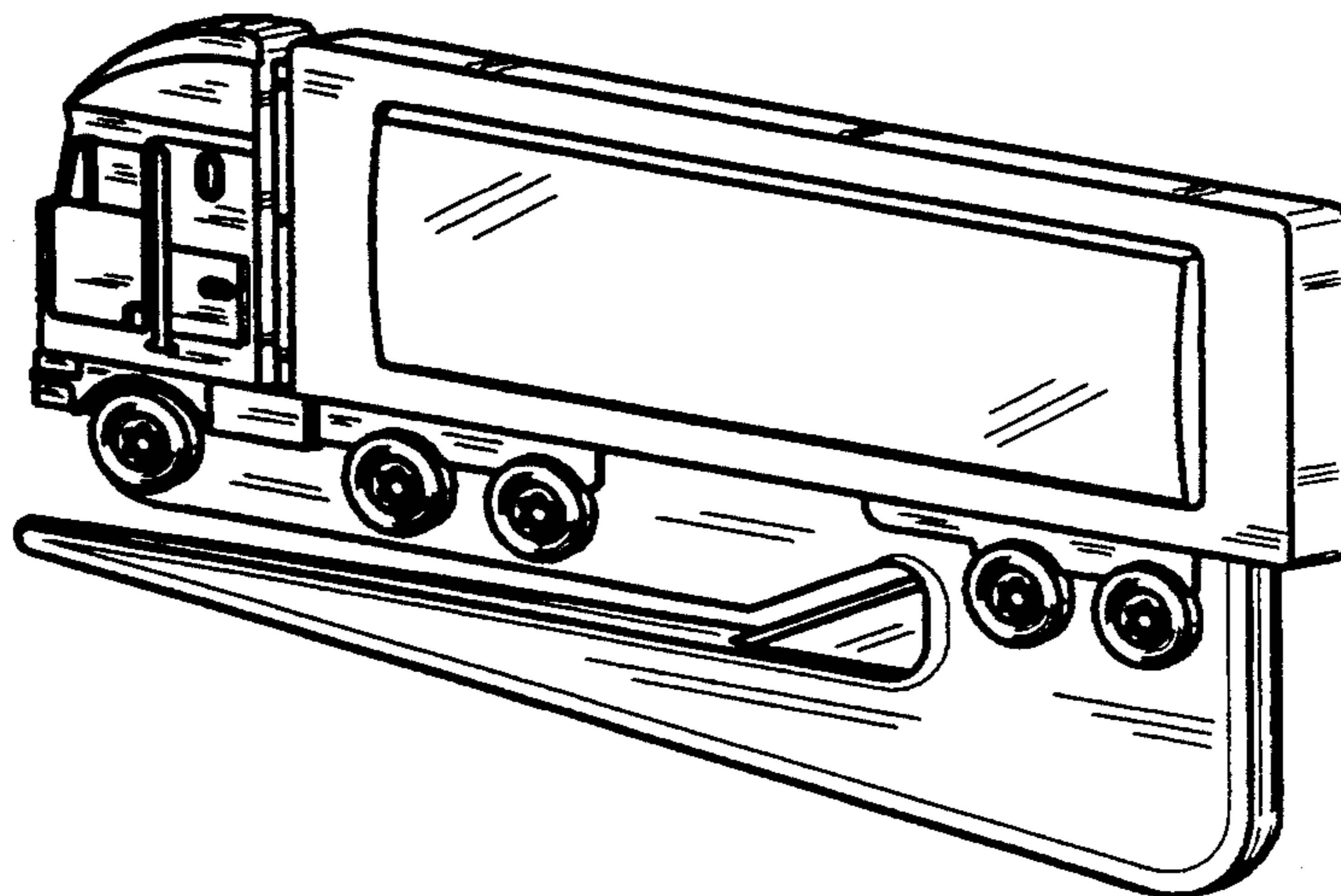
Primary Examiner—Martie Thompson
Attorney, Agent, or Firm—Polster, Lieder, Woodruff & Lucchesi

[57] **CLAIM**

The ornamental design for an envelope opener, as shown and described.

DESCRIPTION

FIG. 1 is a top, front, and right side perspective view of an envelope opener of the new design;
 FIG. 2 is a front elevational view thereof;
 FIG. 3 is a rear elevational view thereof;
 FIG. 4 is a left side elevational view thereof;
 FIG. 5 is a right side elevational view thereof;
 FIG. 6 is a top view thereof;
 FIG. 7 is a bottom view thereof;
 FIG. 8 is a sectional view taken along line 8—8 of FIG. 3; and,
 FIG. 9 is a sectional view taken along line 9—9 of FIG. 3.



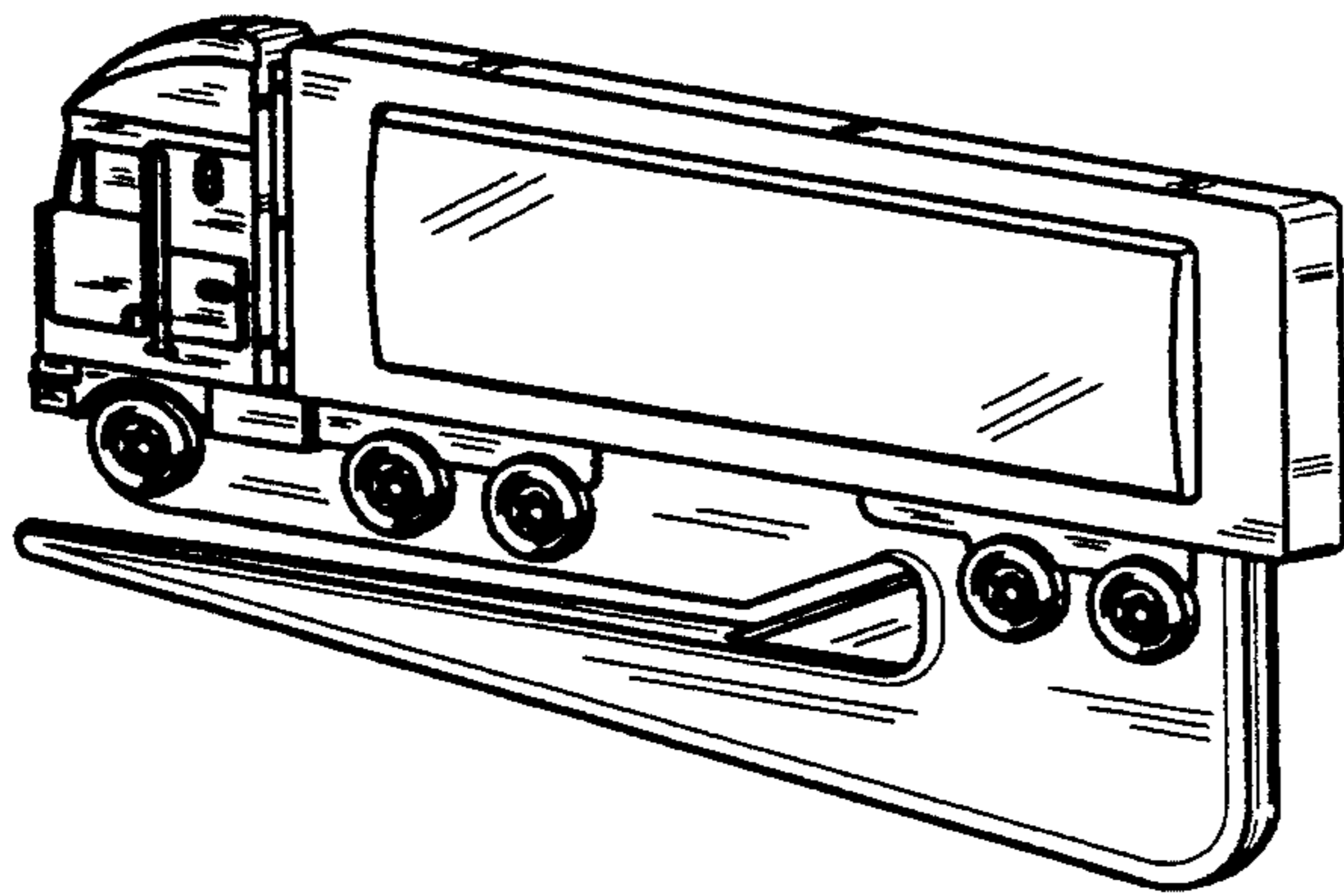


FIG. 1

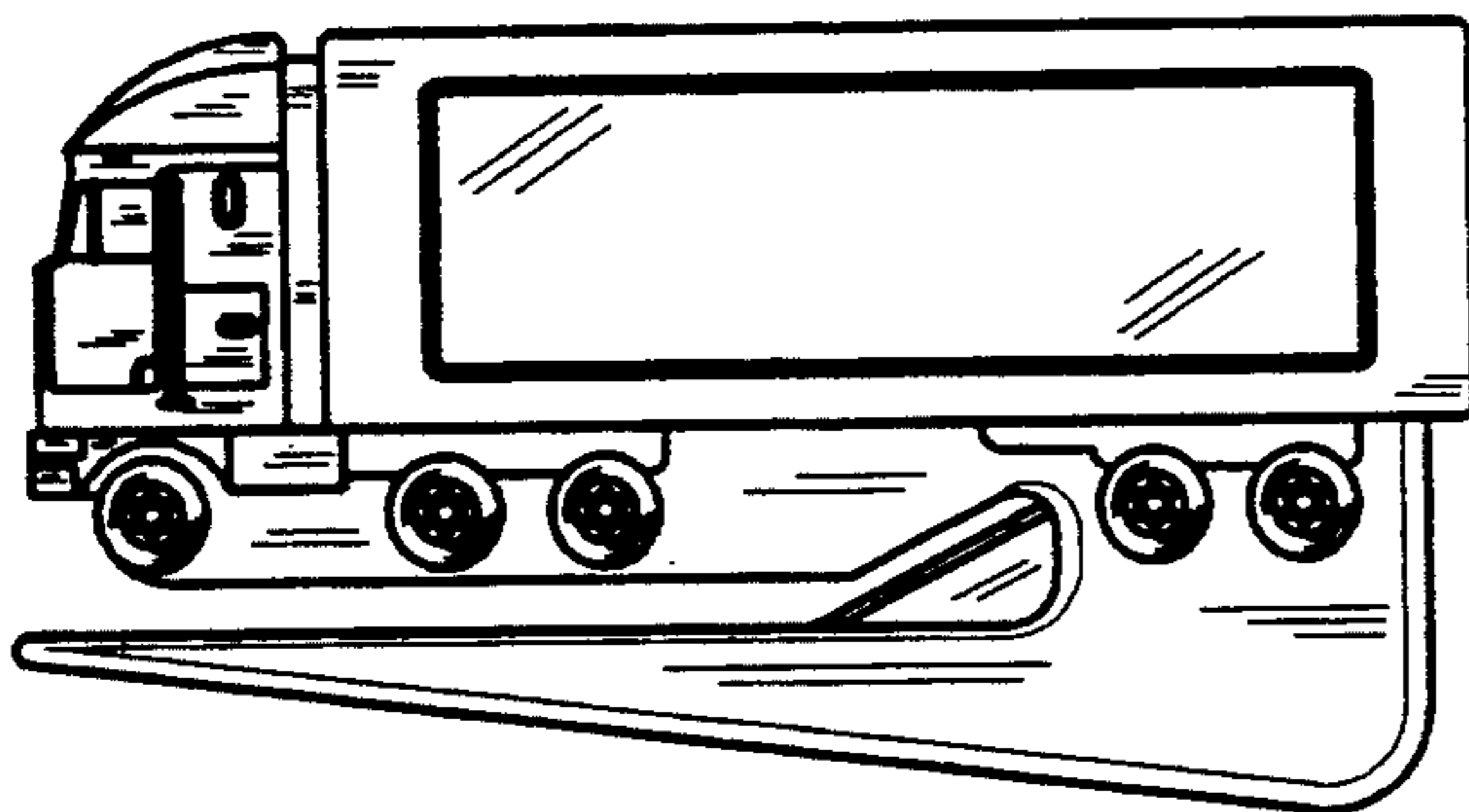


FIG. 2



FIG. 4



FIG. 5

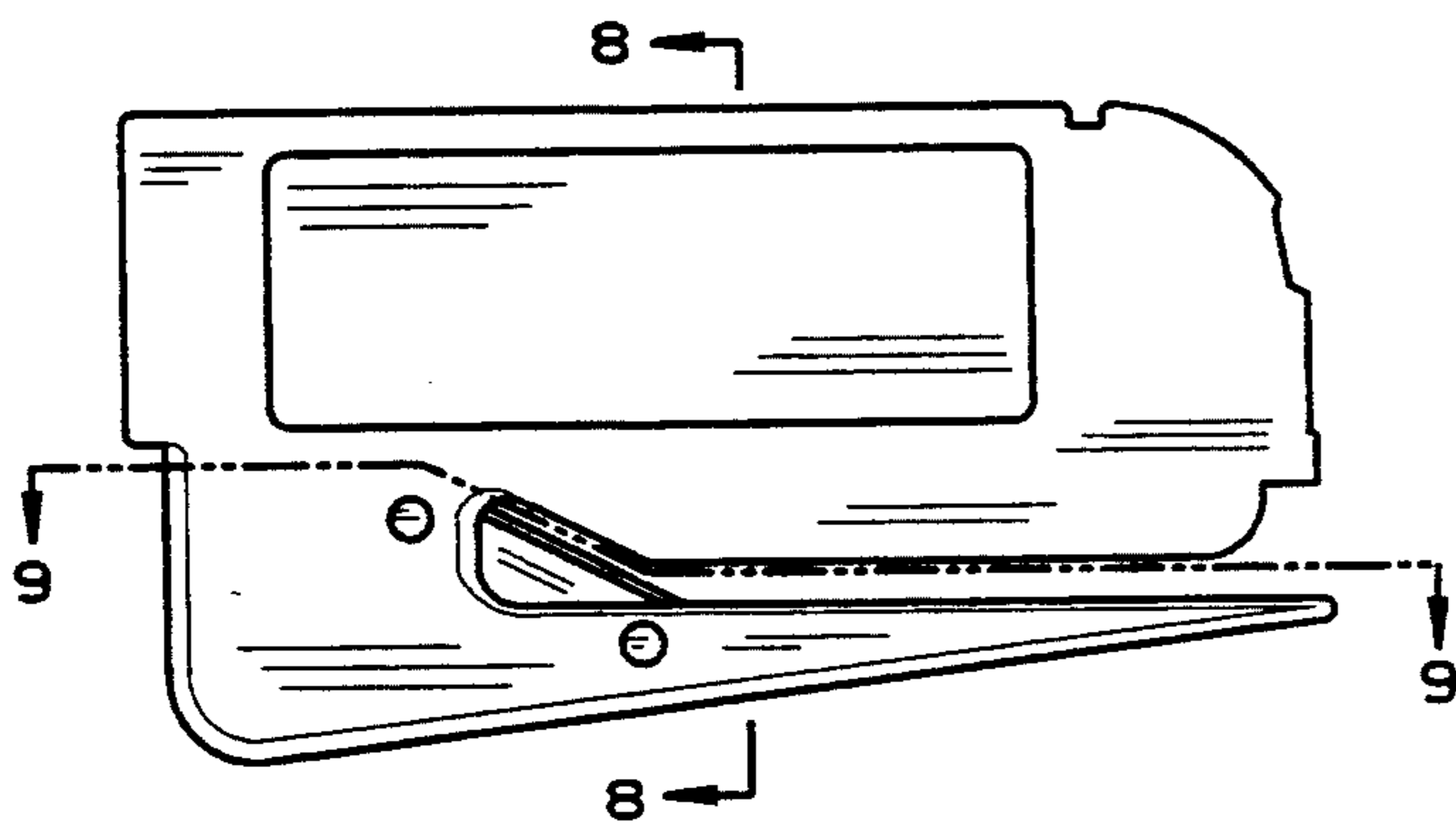


FIG. 3



FIG. 8



FIG. 6

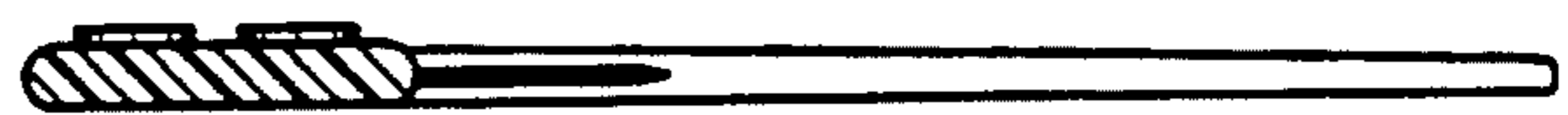


FIG. 9



FIG. 7