



US00D355104S

# United States Patent [19]

[11] Patent Number: **Des. 355,104**

Sorensen et al.

[45] Date of Patent: **\*\* Feb. 7, 1995**

- [54] PIPE CLAMP
- [75] Inventors: **Joseph A. Sorensen, Lincoln;**  
**Anthony B. Fuller, DeWitt, both of**  
**Nebr.**
- [73] Assignee: **Petersen Manufacturing Co., Inc.,**  
**DeWitt, Nebr.**
- [\*\*] Term: **14 Years**
- [21] Appl. No.: **17,194**
- [22] Filed: **Jan. 6, 1994**
- [52] U.S. Cl. .... **D8/72**
- [58] Field of Search ..... **D8/72, 73, 74, 21, 22,**  
**D8/23; 269/90, 112, 128, 182, 178, 173, 228,**  
**212**

- 2,815,053 12/1957 Walker .
- 2,815,778 12/1957 Holman .
- 4,042,264 8/1977 Shumer .
- 4,132,397 1/1979 Ward .
- 4,306,710 12/1981 Vosper .
- 4,339,113 7/1982 Vosper .
- 5,096,170 3/1992 Albin .

### OTHER PUBLICATIONS

“Pony Steel Bar Clamp Fixtures” styles 50, 52 and 56.  
Publication source and date unknown.

*Primary Examiner*—Alan P. Douglas  
*Assistant Examiner*—Jeffrey H. Musgrove  
*Attorney, Agent, or Firm*—William Brinks Hofer Gilson  
& Lione

### [56] References Cited U.S. PATENT DOCUMENTS

- D. 222,872 1/1972 Boucher ..... D8/22
- D. 227,192 6/1973 Schafhauser ..... D8/22
- D. 238,140 12/1975 Guimarin ..... D8/22
- D. 286,369 10/1986 Hahn .
- D. 346,942 5/1994 Sawdon ..... D8/72
- 927,067 7/1909 Offineer .
- 1,241,215 9/1917 Hoffman .
- 1,340,092 5/1920 Tuscher, Jr. .
- 1,783,713 12/1930 Holman .

[57] CLAIM  
The ornamental design for a pipe clamp, as shown.

### DESCRIPTION

FIG. 1 is a perspective view showing our new design for a pipe clamp;  
FIG. 2 is a front view thereof;  
FIG. 3 is a left side view thereof;  
FIG. 4 is a rear view thereof;  
FIG. 5 is a top view thereof;  
FIG. 6 is a bottom view thereof; and,  
FIG. 7 is a right side view thereof.

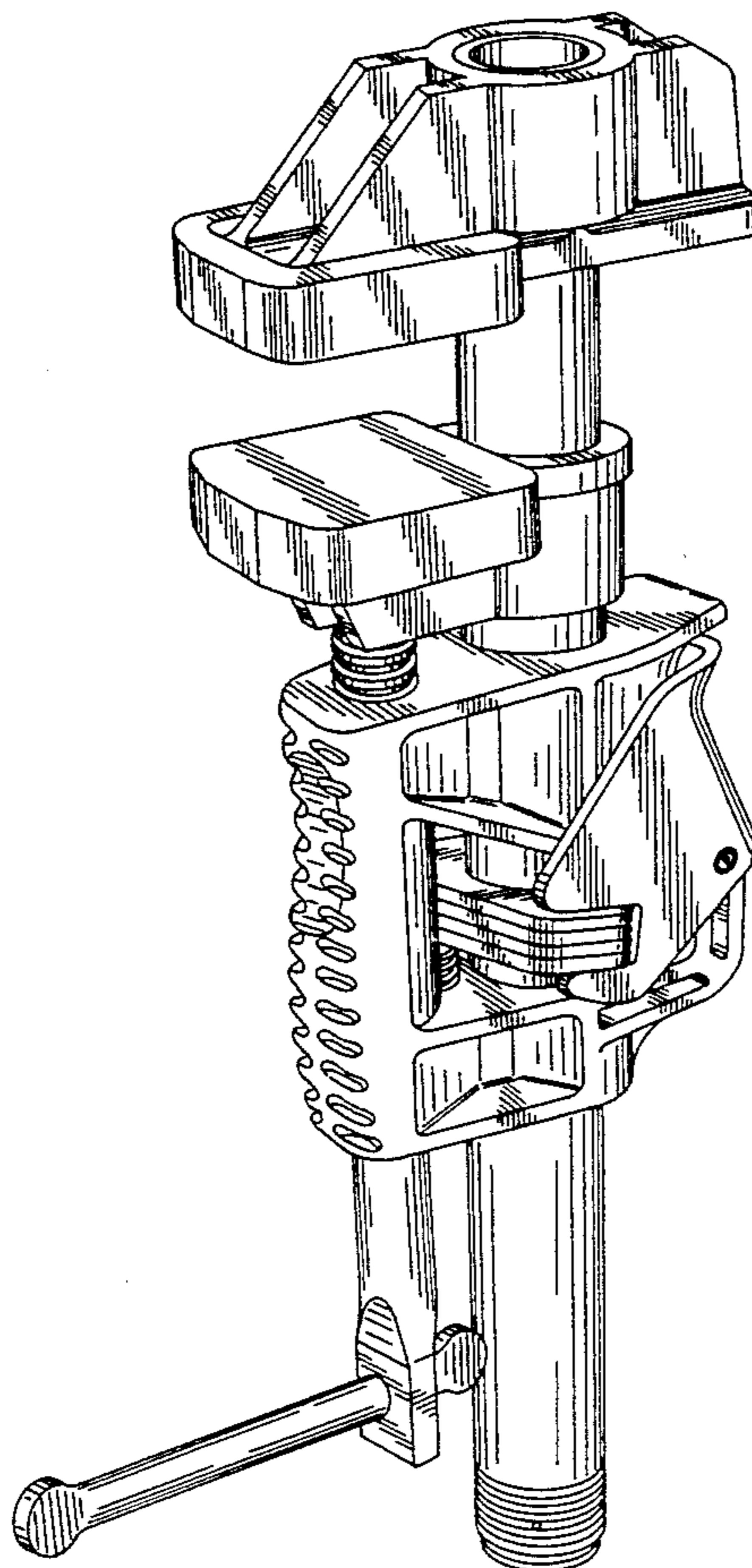


FIG. 1

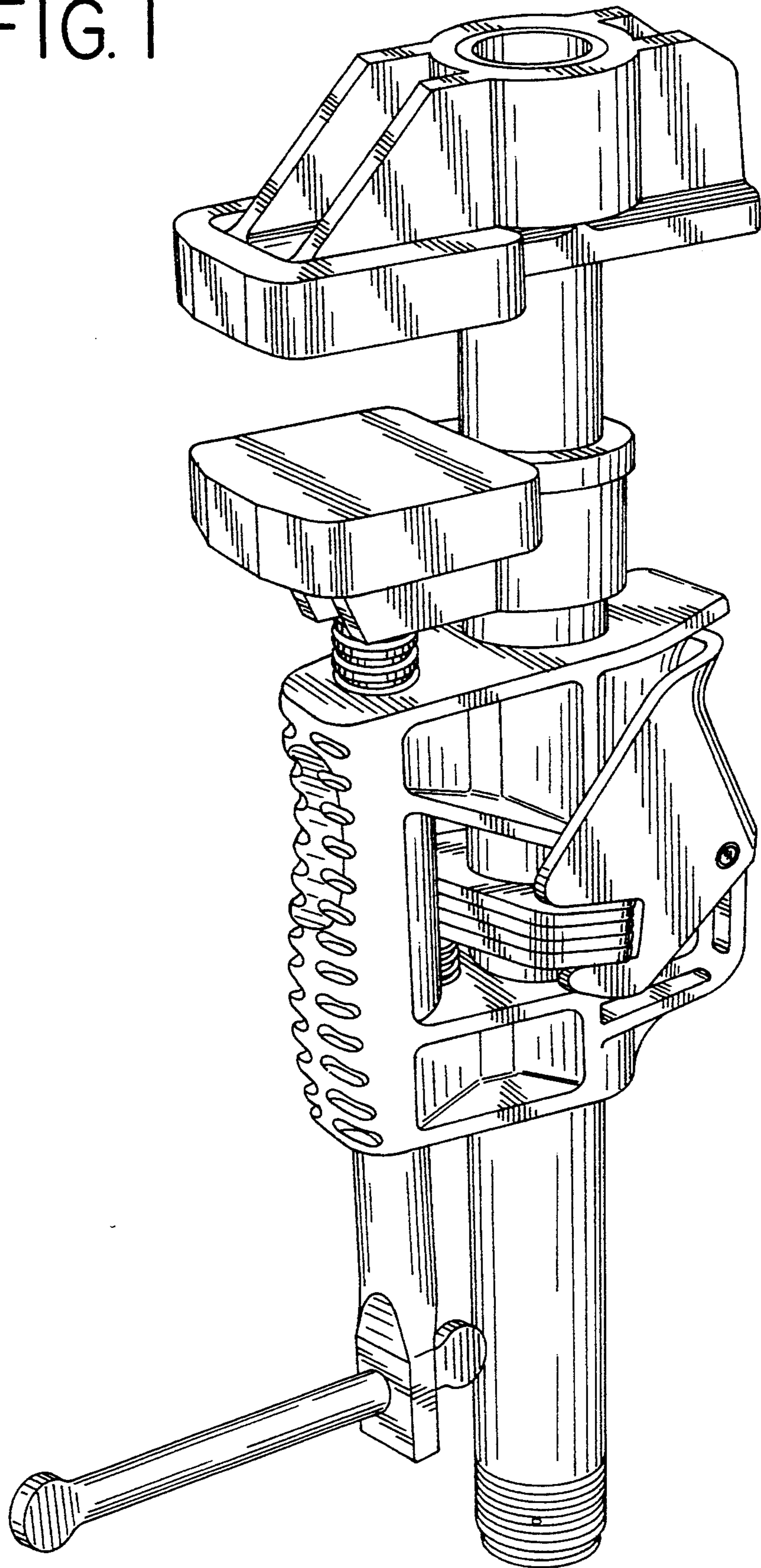


FIG. 2

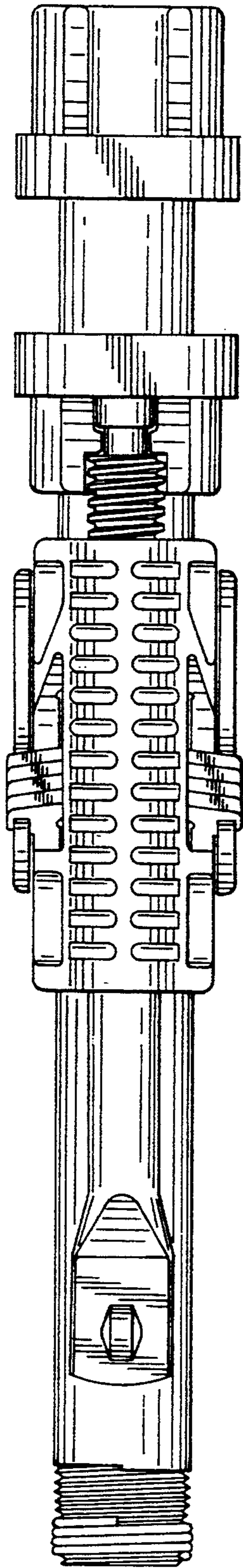


FIG. 3

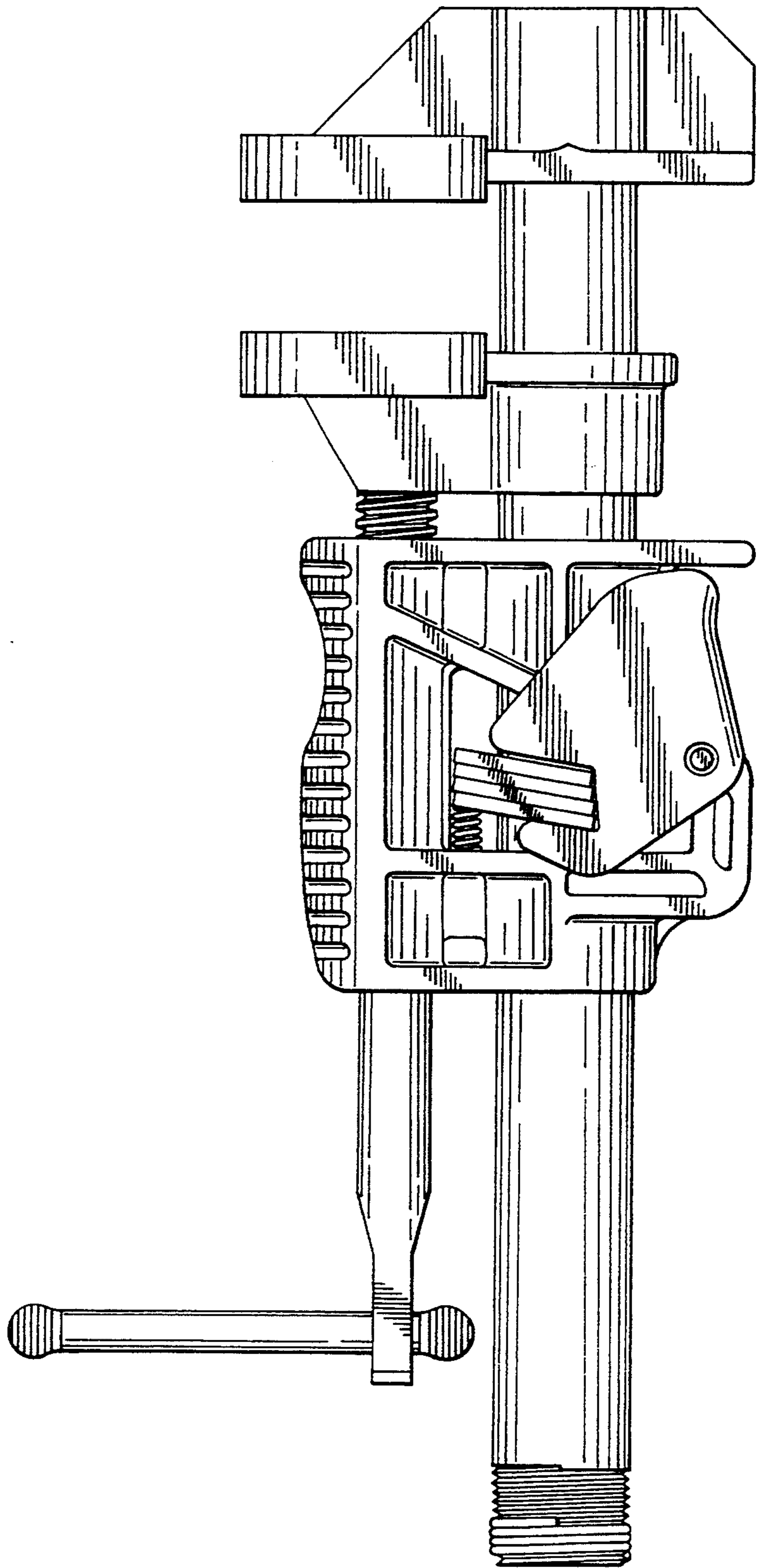


FIG. 4

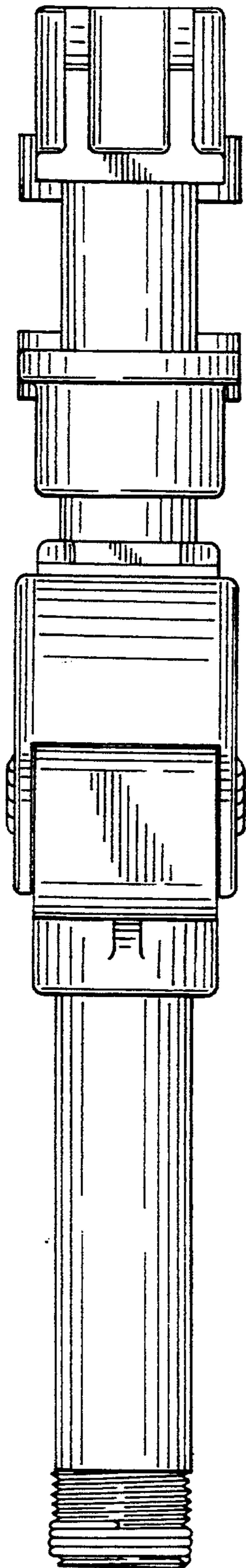


FIG. 5

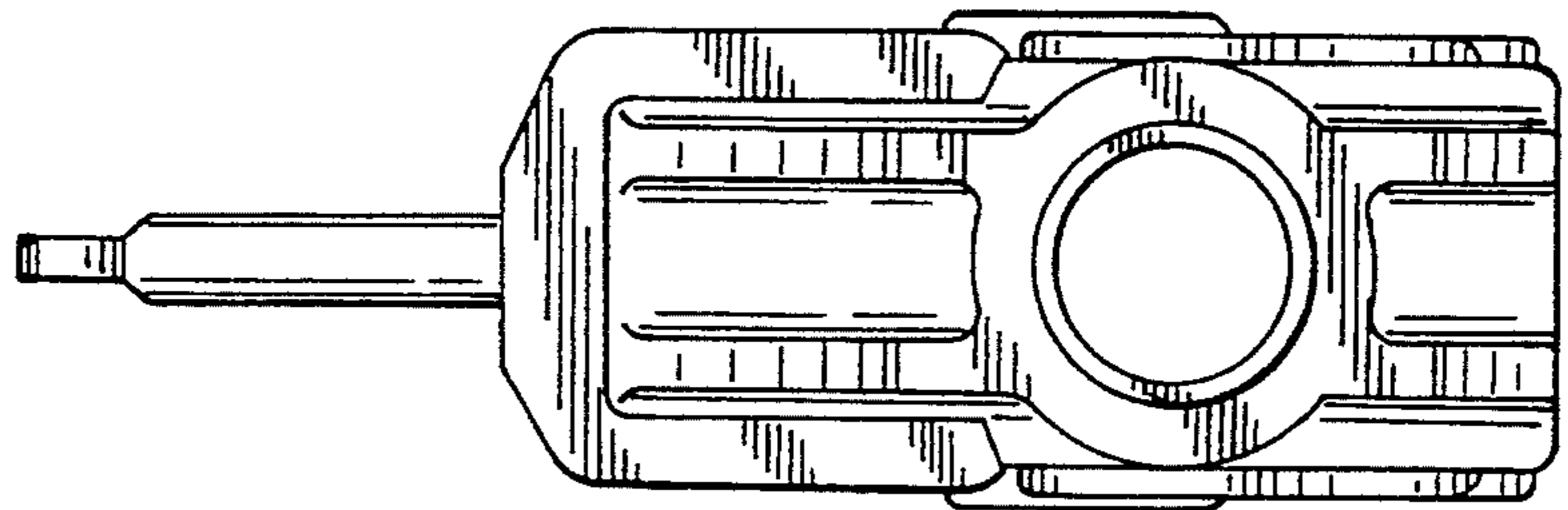


FIG. 6

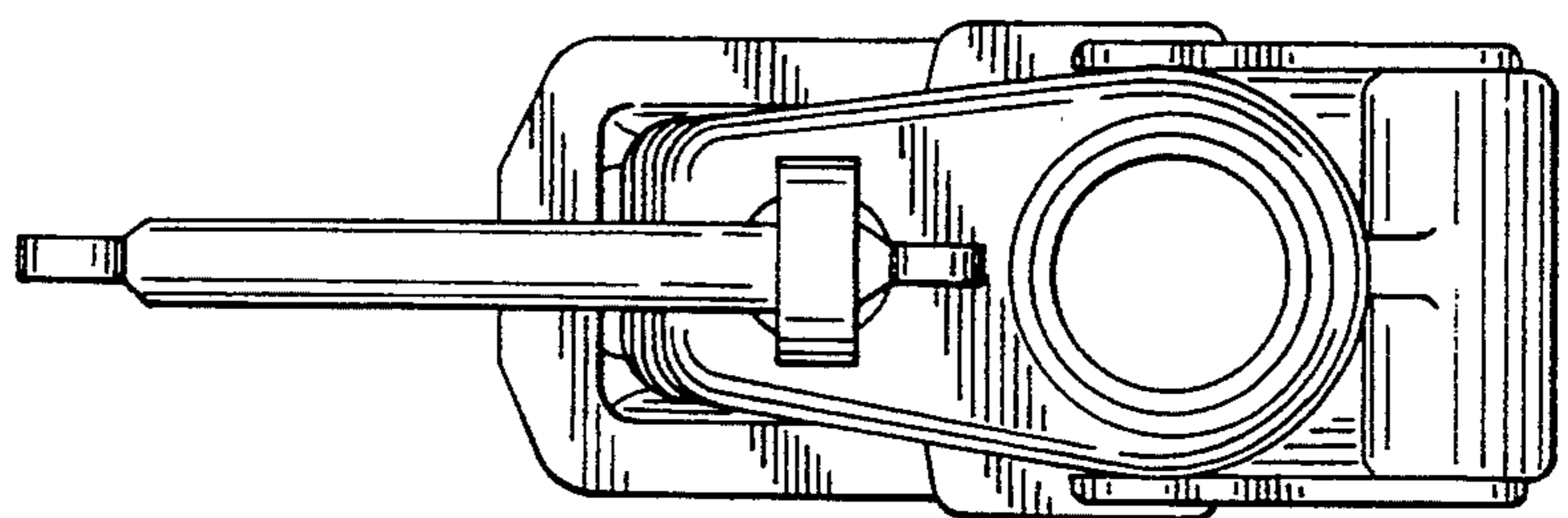


FIG. 7

