



US00D355100S

United States Patent [19]

[11] Patent Number: **Des. 355,100**

Goodman et al.

[45] Date of Patent: **** Feb. 7, 1995**

[54] **COASTER**

[76] Inventors: **Sheldon H. Goodman**, 30905 Stratford, Solon, Ohio 44139; **Steven E. Greenhut**, 6368 NW. 23rd Way, Boca Raton, Fla. 33496

[**] Term: **14 Years**

[21] Appl. No.: **11,967**

[22] Filed: **Aug. 18, 1993**

[52] U.S. Cl. **D7/624**

[58] Field of Search **D7/624-625; 215/100.5; 248/346.1; D32/55-57; D6/532**

[56] **References Cited**

U.S. PATENT DOCUMENTS

D. 224,133 7/1972 Swett D32/55

D. 229,655 12/1973 Cyren D7/624
D. 286,361 10/1986 Zieff D7/624
1,981,627 11/1934 Merriman D7/624 X
2,301,385 11/1942 Ehrgott 248/346.1
2,851,713 9/1958 Tupper D6/532 X

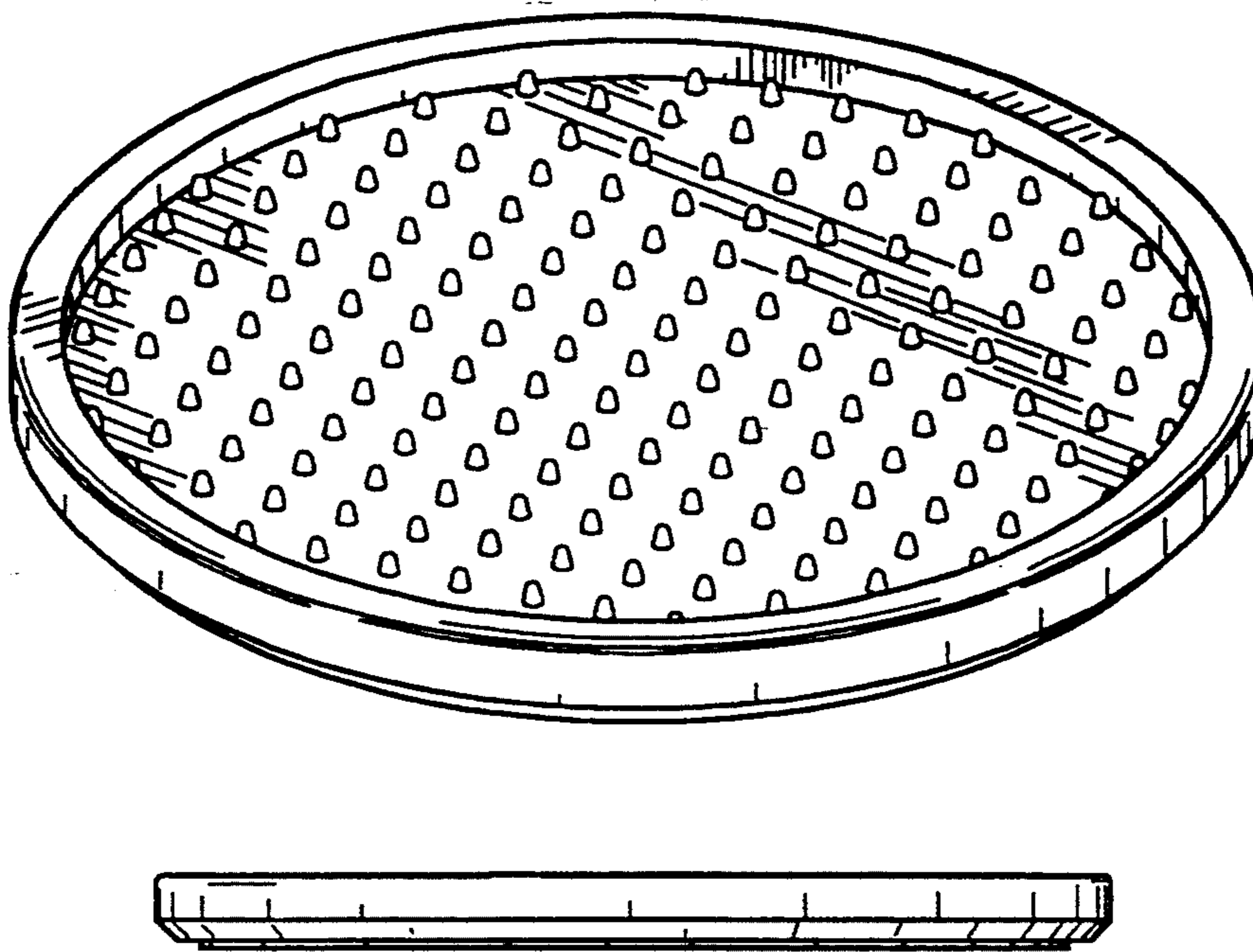
Primary Examiner—Terry A. Wallace
Attorney, Agent, or Firm—Pearne, Gordon, McCoy & Granger

[57] **CLAIM**

The ornamental design for a coaster, as shown and described.

DESCRIPTION

FIG. 1 is a perspective view of a coaster showing our new design;
FIG. 2 is a side elevational view thereof;
FIG. 3 is a top plan view thereof; and,
FIG. 4 is a bottom plan view thereof.



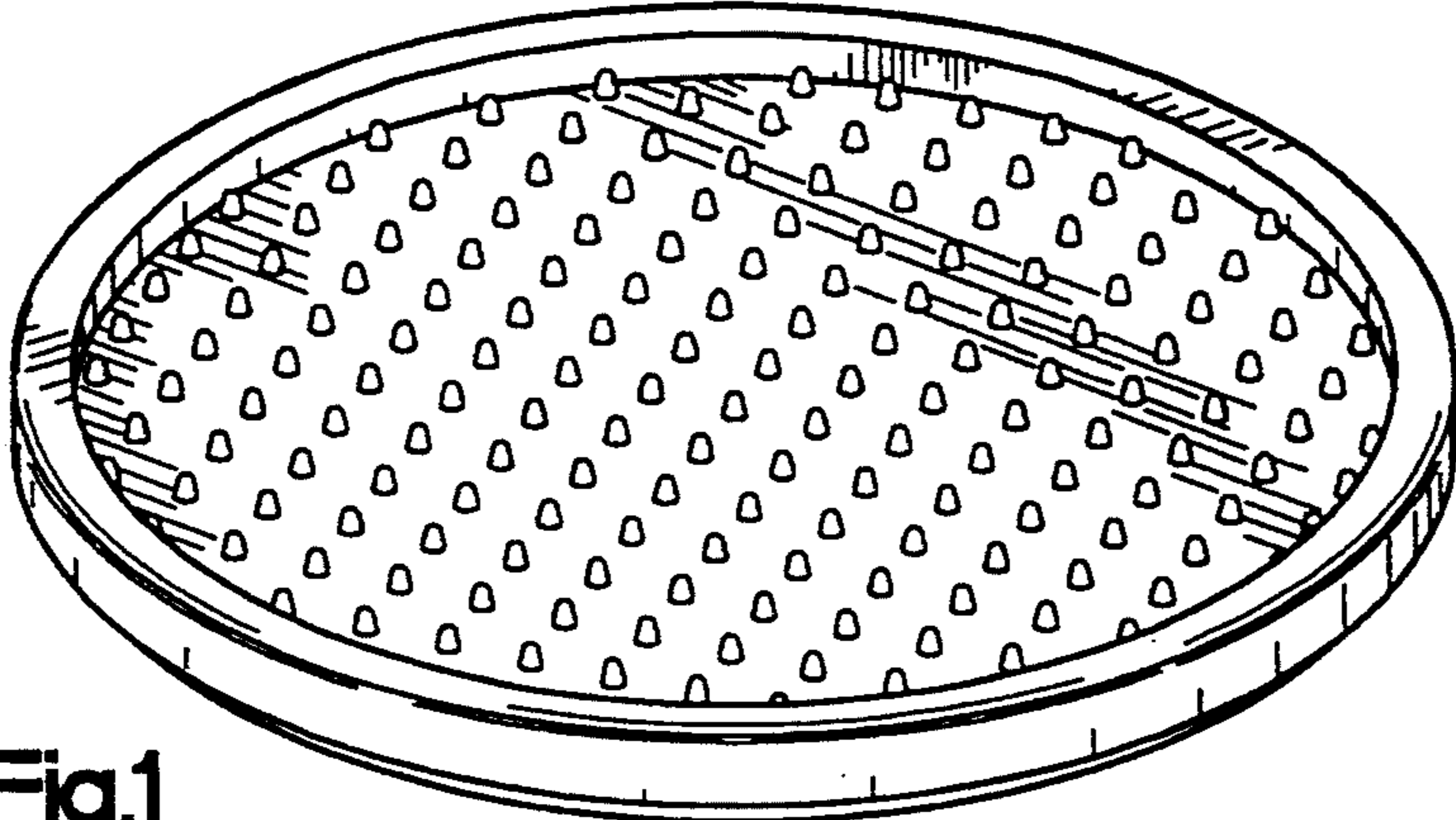


Fig.1



Fig.2

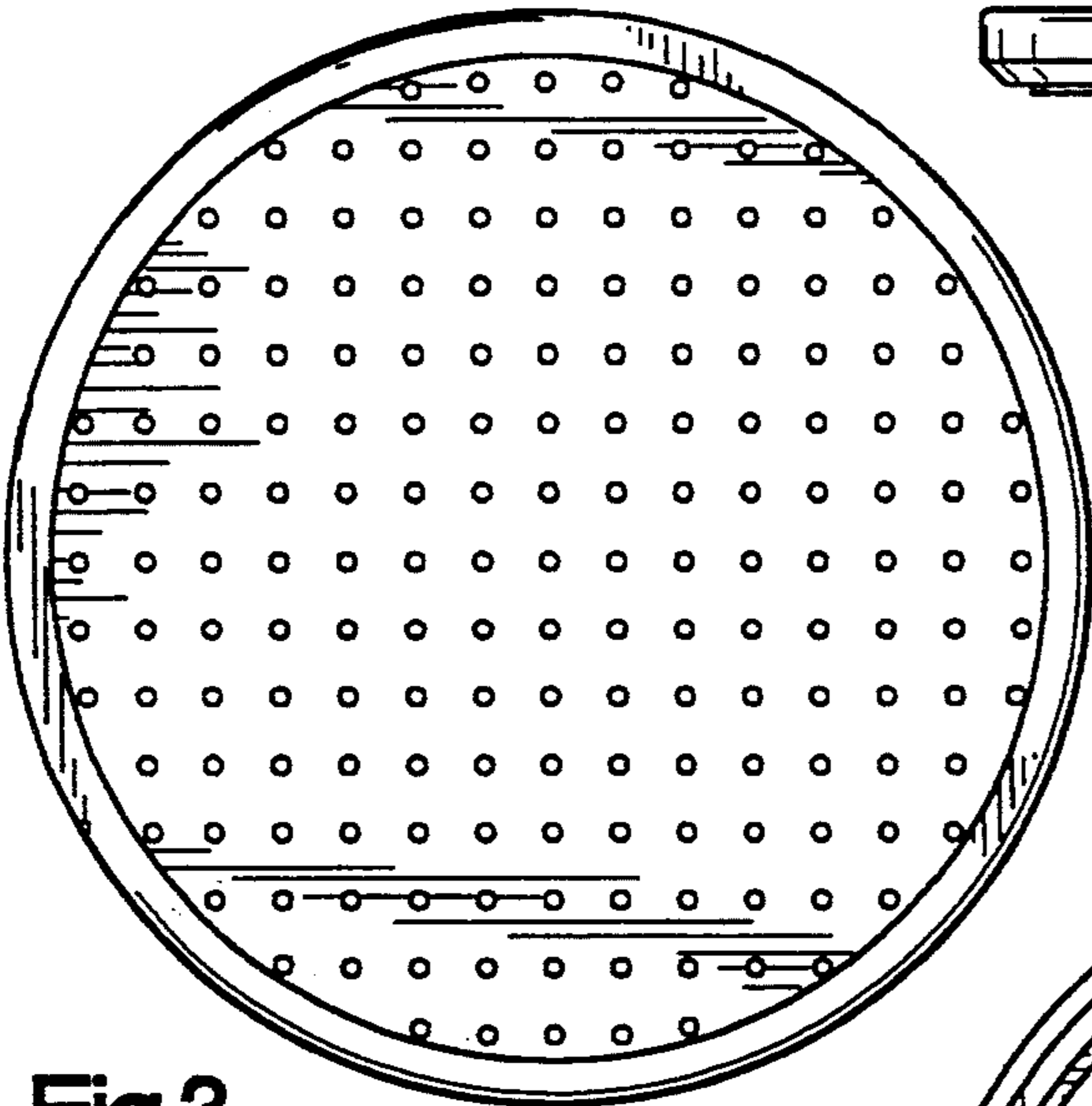


Fig.3

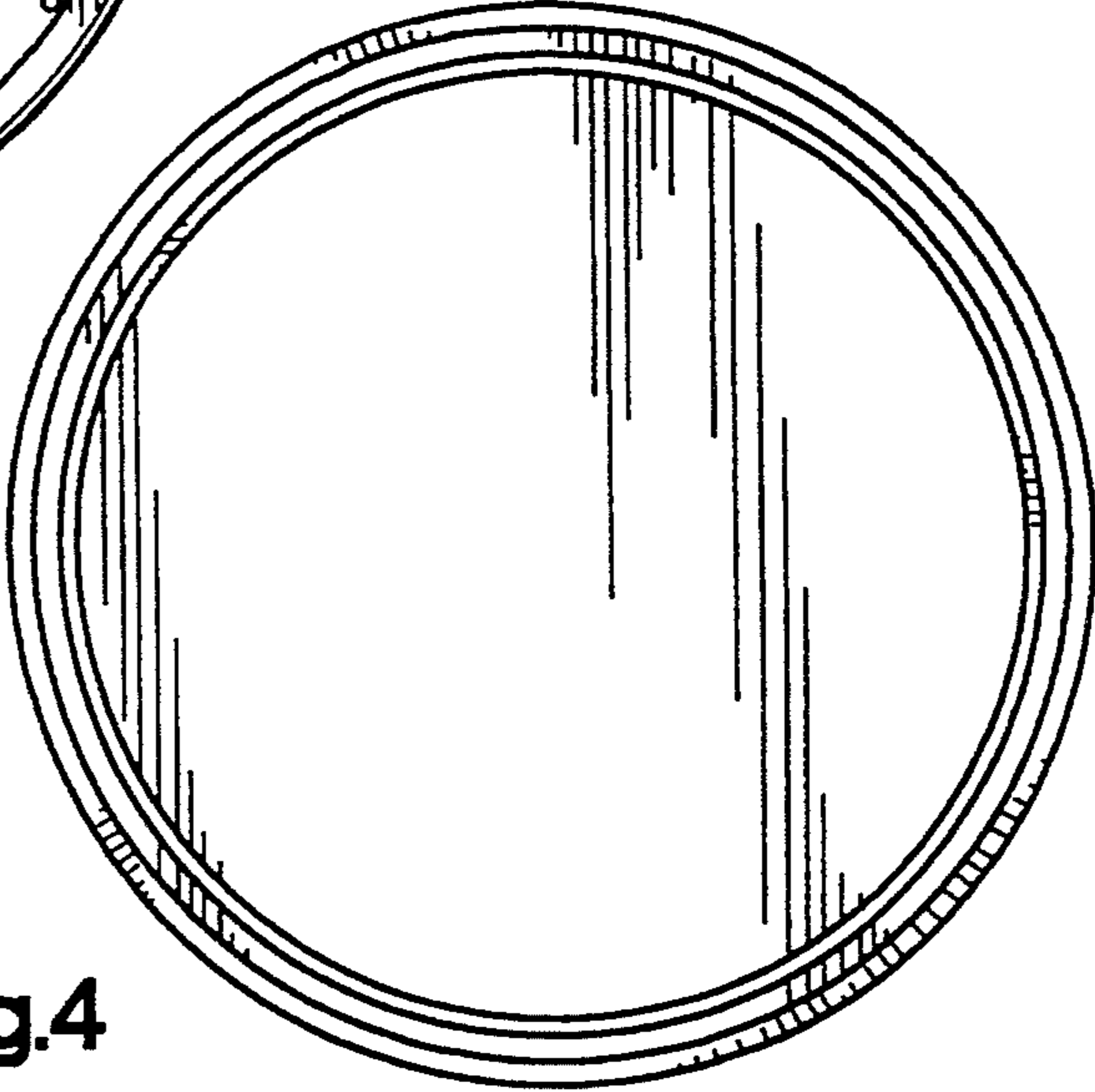


Fig.4