



US00D355099S

United States Patent [19]

[11] Patent Number: **Des. 355,099**

Dell

[45] Date of Patent: **** Feb. 7, 1995**

[54] **MULTI-COMPARTMENTED COOLING SYSTEM**

4,910,975	3/1990	Derby	62/372
4,981,019	1/1991	Hicks	.	
5,159,819	11/1992	Wong	.	
5,197,301	3/1993	Holcomb	.	
5,263,338	11/1993	Banks	62/457.7 X

[76] Inventor: **Joseph M. Dell**, 89 Pleasant St., Peru, N.Y. 12972

[**] Term: **14 Years**

Primary Examiner—Terry A. Wallace
Attorney, Agent, or Firm—Richard C. Litman

[21] Appl. No.: **16,755**

[57] **CLAIM**

[22] Filed: **Dec. 23, 1993**

The ornamental design for a multi-compartmented cooling system, as shown and described.

[52] U.S. Cl. **D7/605**

[58] Field of Search **D7/605-608;**
D3/273, 276; D15/83, 89; 62/371-372, 529,
457.1, 457.7; 220/410-412

DESCRIPTION

[56] **References Cited**

U.S. PATENT DOCUMENTS

1,909,261	5/1933	Frazier	.
2,935,858	5/1960	Kingery	.
4,468,932	9/1984	Bullard	.
4,551,988	11/1985	Petrantoni	.
4,846,257	7/1989	Wallace	.

FIG. 1 is a left side front perspective view of a multi-compartmented cooling system showing my new design;

FIG. 2 is a top view thereof;

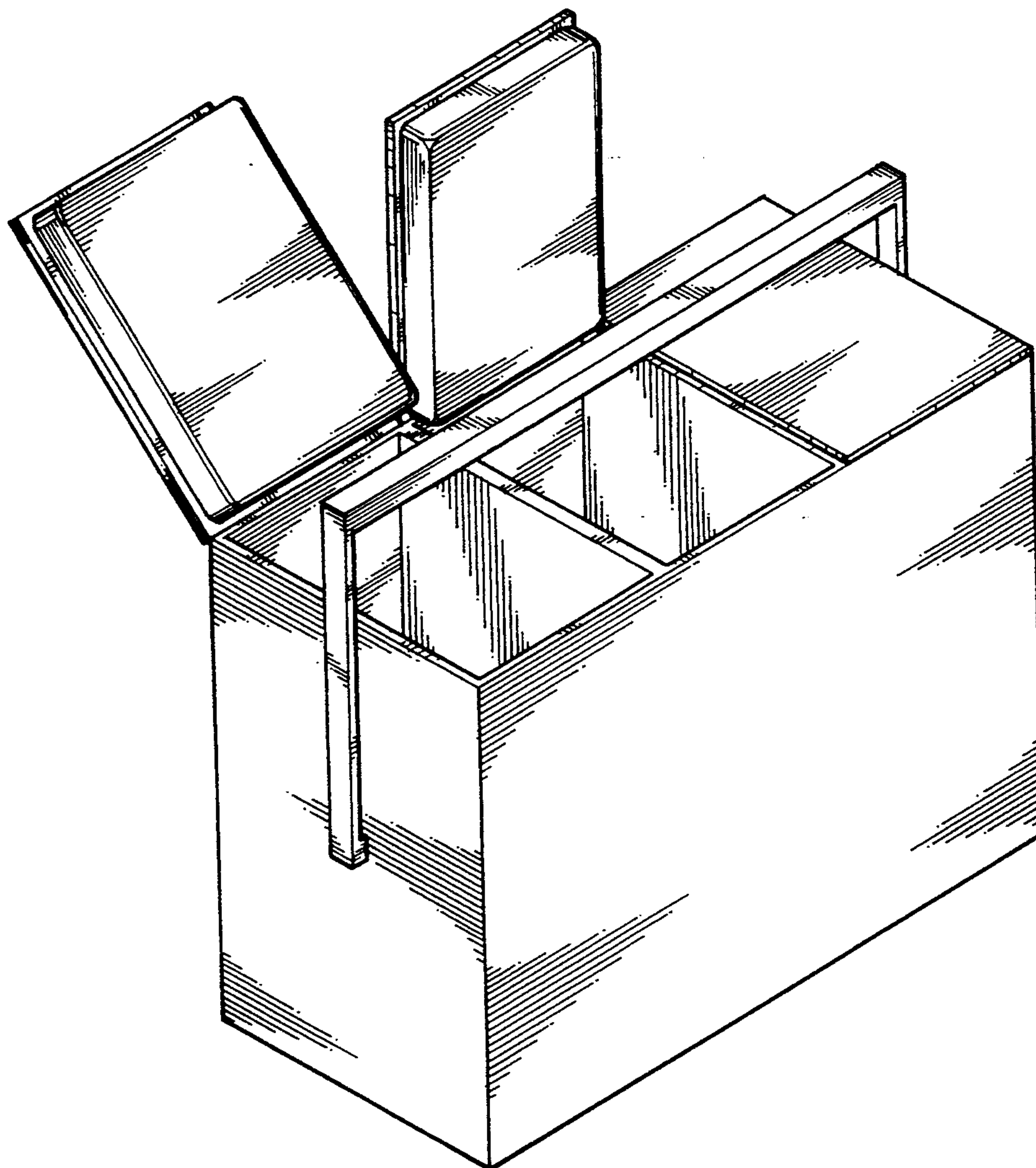
FIG. 3 is a front elevational view thereof;

FIG. 4 is a left side elevational view thereof;

FIG. 5 is a right side elevational view; and,

FIG. 6 is a rear view thereof.

The unornamented bottom is not disclosed.



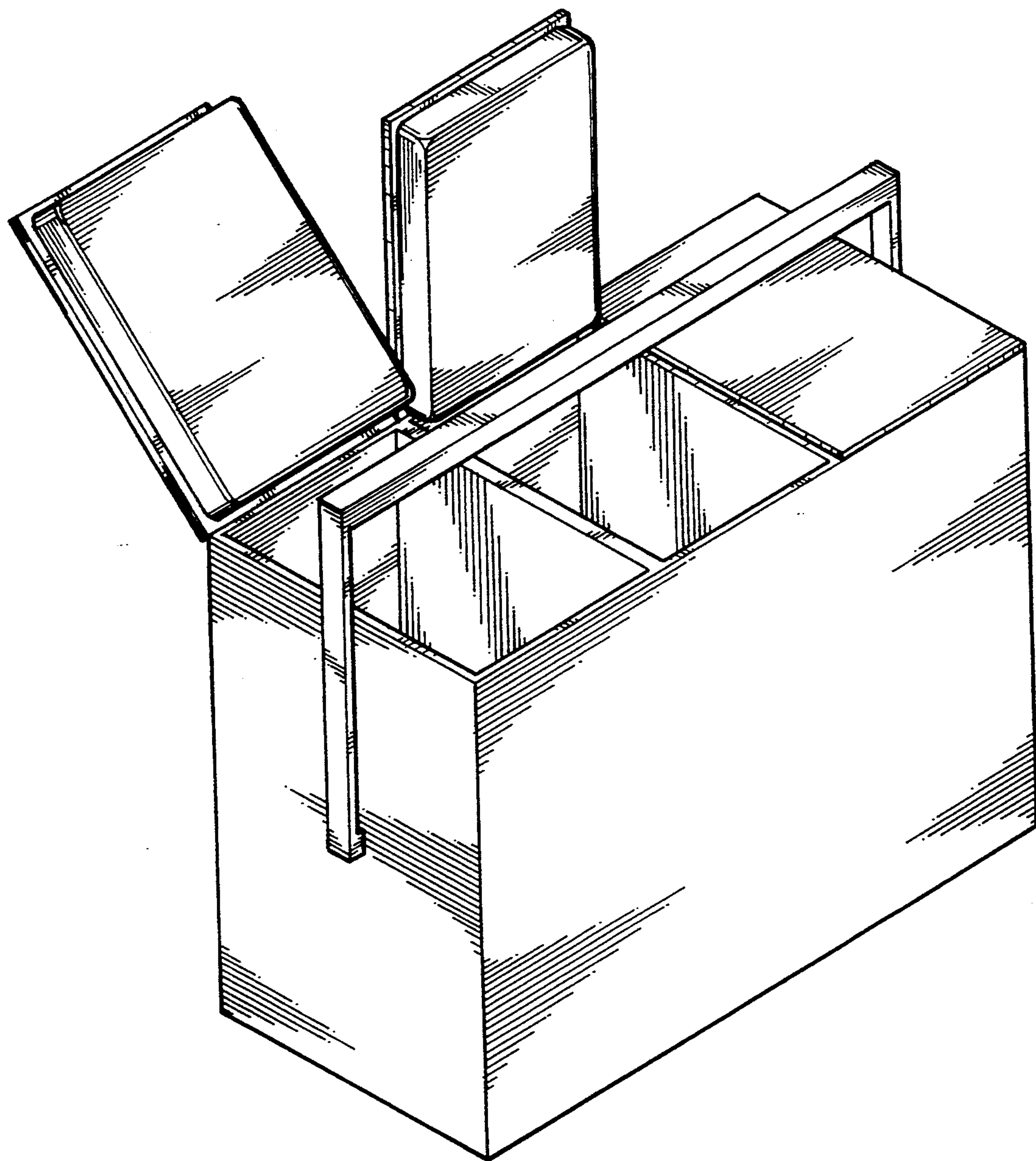


FIG. 1

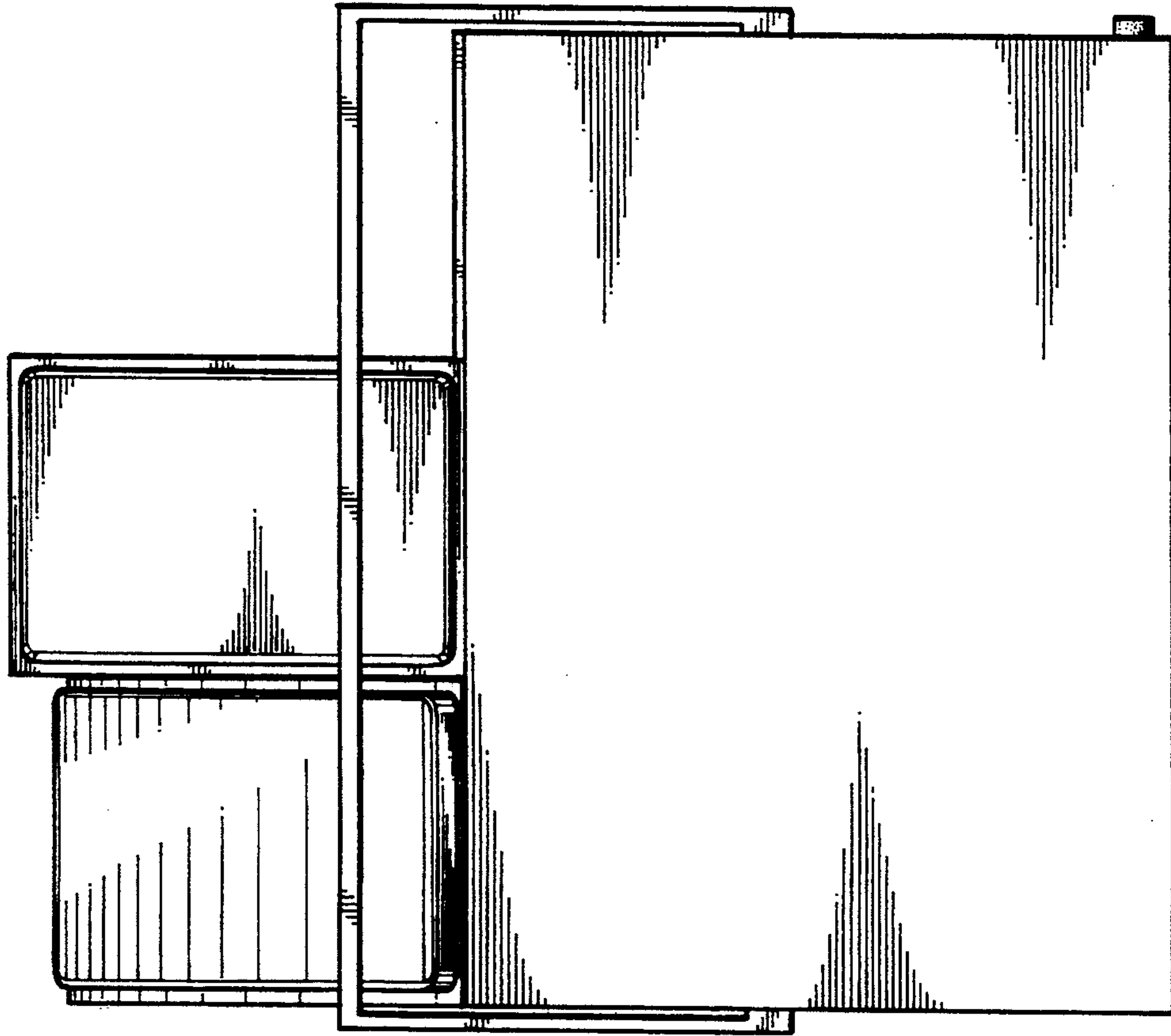


FIG. 3

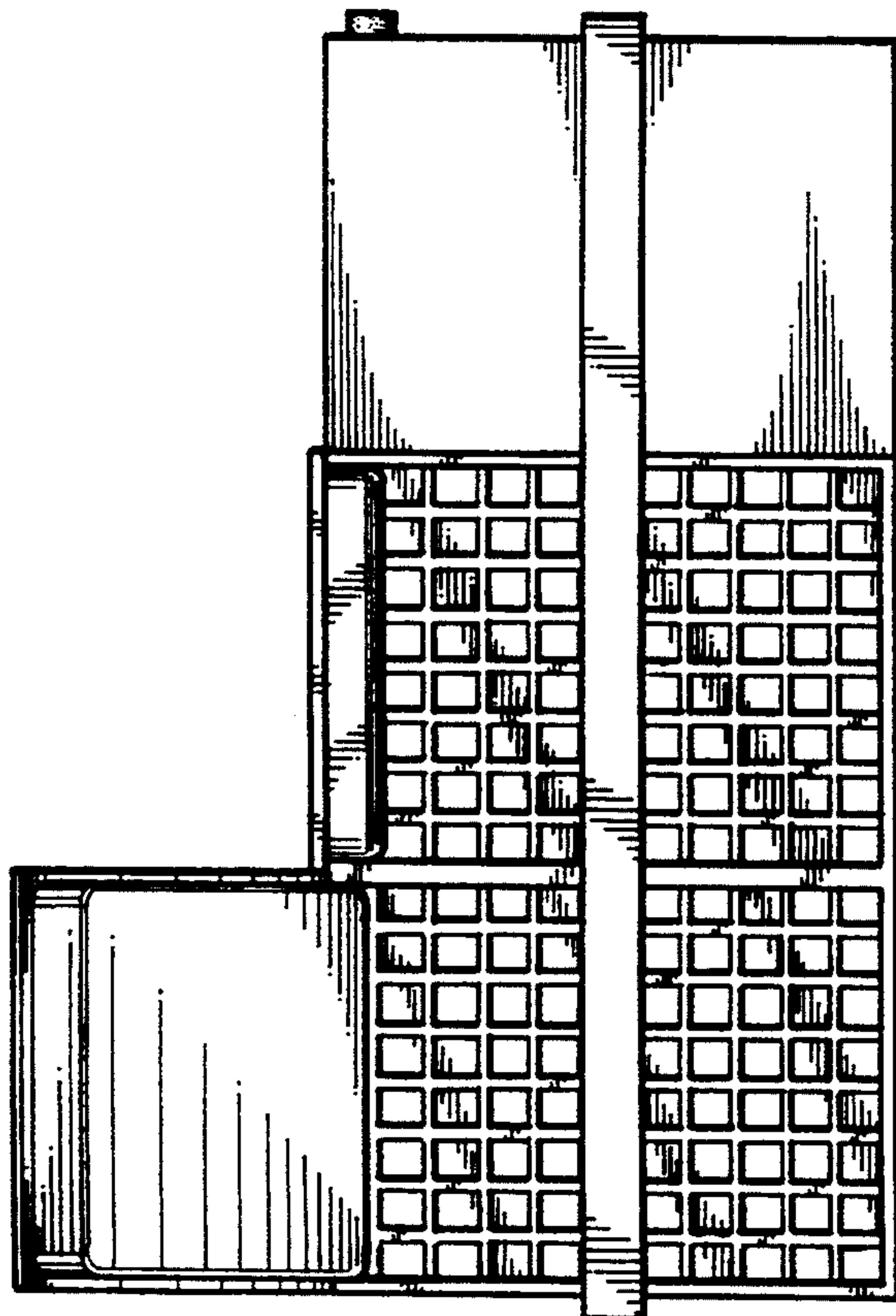


FIG. 2

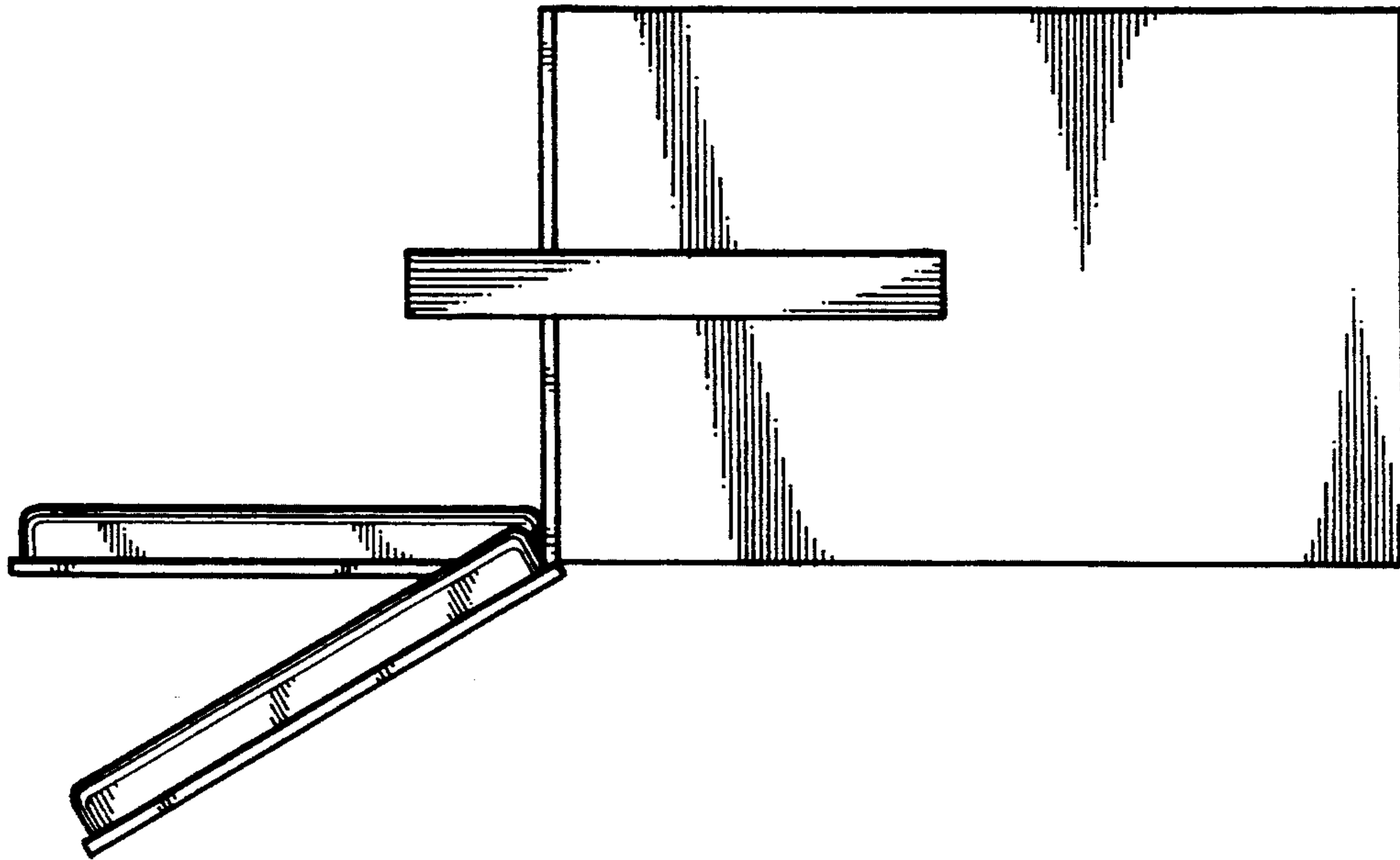


FIG. 5

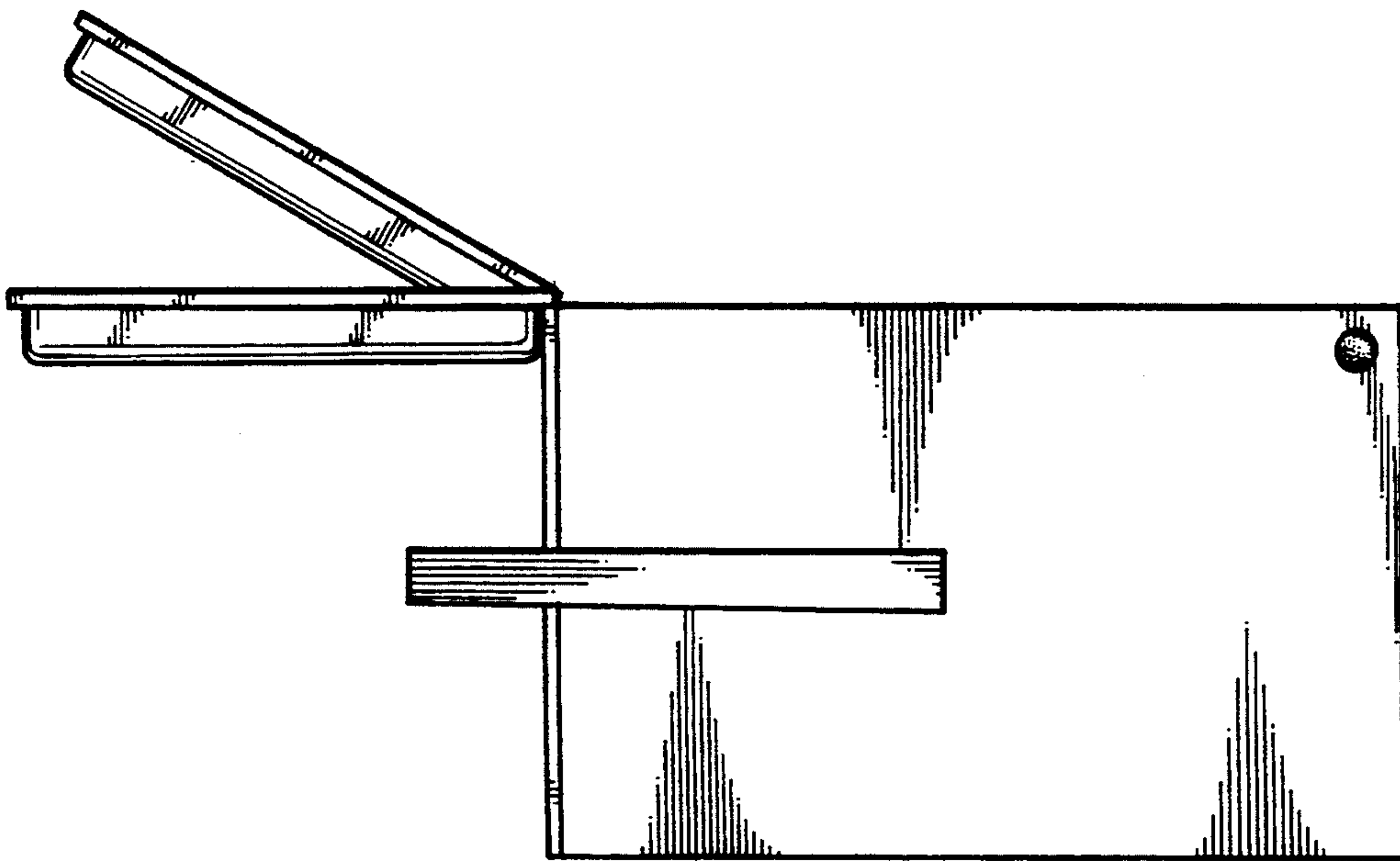


FIG. 4

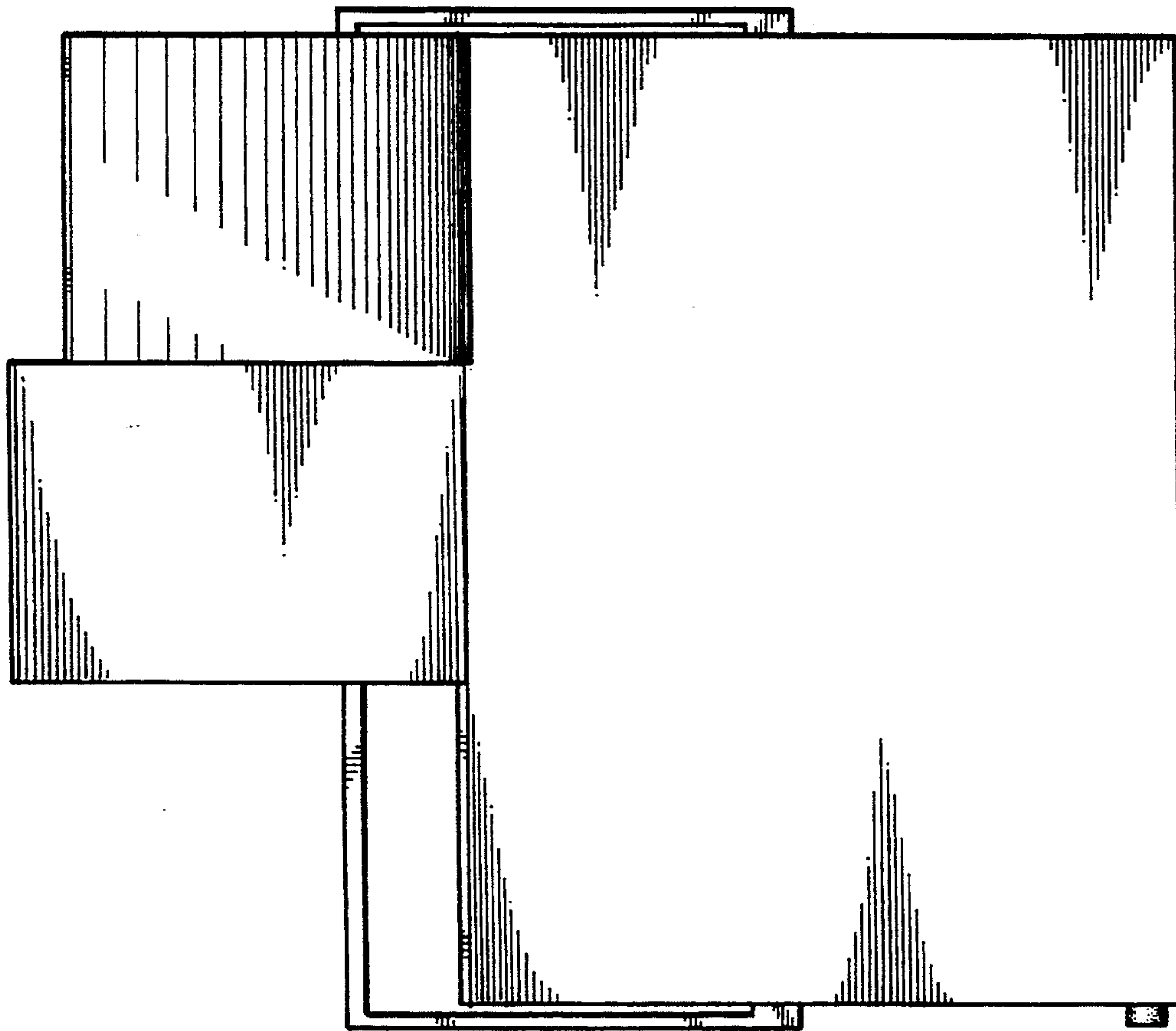


FIG. 6