



US00D355093S

# United States Patent [19]

[11] Patent Number: **Des. 355,093**

Morris

[45] Date of Patent: **\*\* Feb. 7, 1995**

## [54] WINDOW BLIND HEADRAIL

[75] Inventor: **John E. Morris**, Lake Mills, Wis.

[73] Assignee: **Springs Window Fashions Division, Inc.**, Middleton, Wis.

[\*\*] Term: **14 Years**

[21] Appl. No.: **20,647**

[22] Filed: **Mar. 31, 1994**

[52] U.S. Cl. .... **D6/580; D6/577**

[58] Field of Search ..... **D6/575, 576, 577, 578, D6/579, 580; D28/122, 124; D26/75, 76, 77, 78; 160/23.1, 24, 38, 52, 230, 235, 236, 330, 348, 349.1, 349.2**

## [56] References Cited

### U.S. PATENT DOCUMENTS

D. 130,813	12/1941	Carter, Jr. ....	D26/77
D. 337,469	7/1993	Young et al. .	
1,259,450	3/1918	Smith .....	180/23.1
1,476,160	12/1923	Kirsch .....	160/23.1 X
2,986,627	5/1961	Marriett .....	160/38 X
4,399,855	8/1983	Volfson .....	160/23.1
4,951,730	8/1990	Hsu .....	160/23.1 X

## FOREIGN PATENT DOCUMENTS

899592 6/1962 United Kingdom ..... 160/38

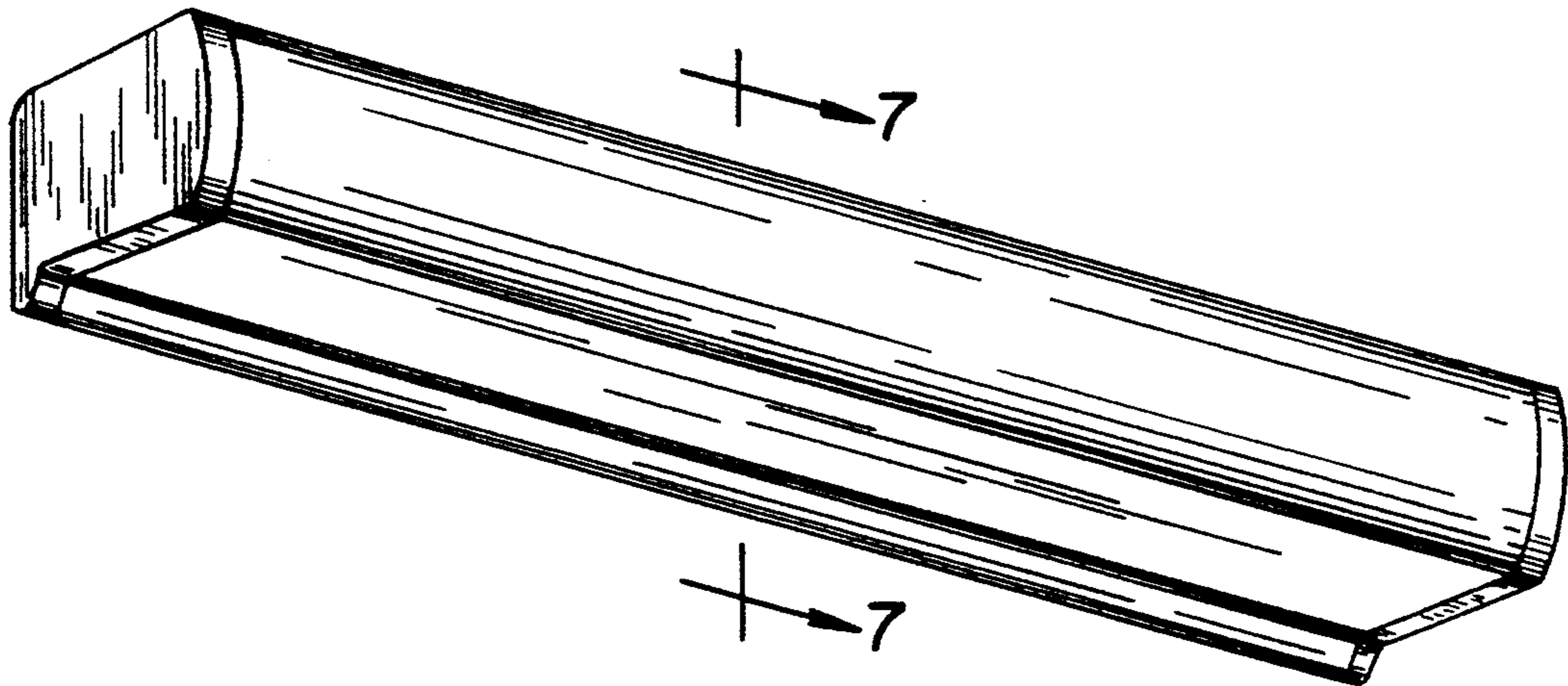
*Primary Examiner*—Wallace R. Burke  
*Assistant Examiner*—Monica A. Hannon  
*Attorney, Agent, or Firm*—Vernon J. Pillote

## [57] CLAIM

The ornamental design for a window blind headrail, as shown and described.

## DESCRIPTION

FIG. 1 is a perspective view of a window blind headrail showing my new design;  
FIG. 2 is an enlarged front elevational view thereof, shown broken away for ease of illustration;  
FIG. 3 is a top plan view thereof;  
FIG. 4 is a rear elevational view thereof;  
FIG. 5 is a bottom view thereof;  
FIG. 6 is an end elevational view as seen from the left in FIG. 1, the other end being a mirror image thereof; and,  
FIG. 7 is a cross-sectional view taken on the line 7—7 of FIG. 1, showing the cross-sectional configuration thereof.



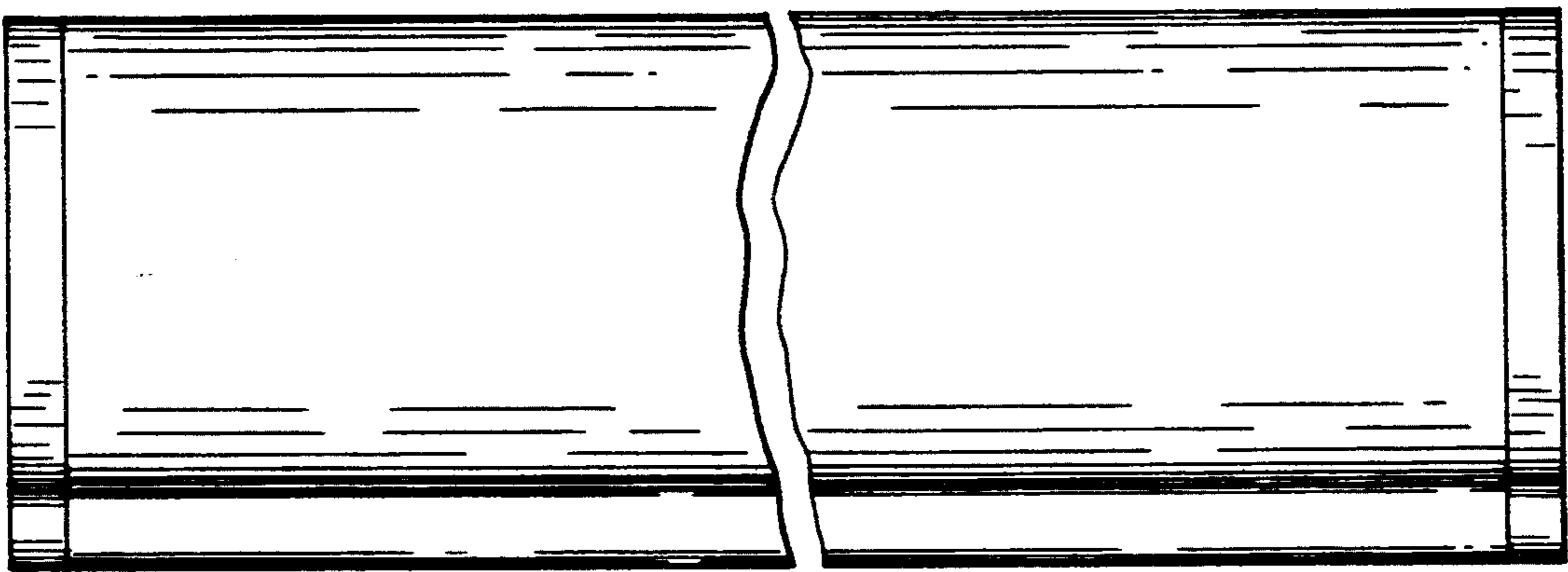
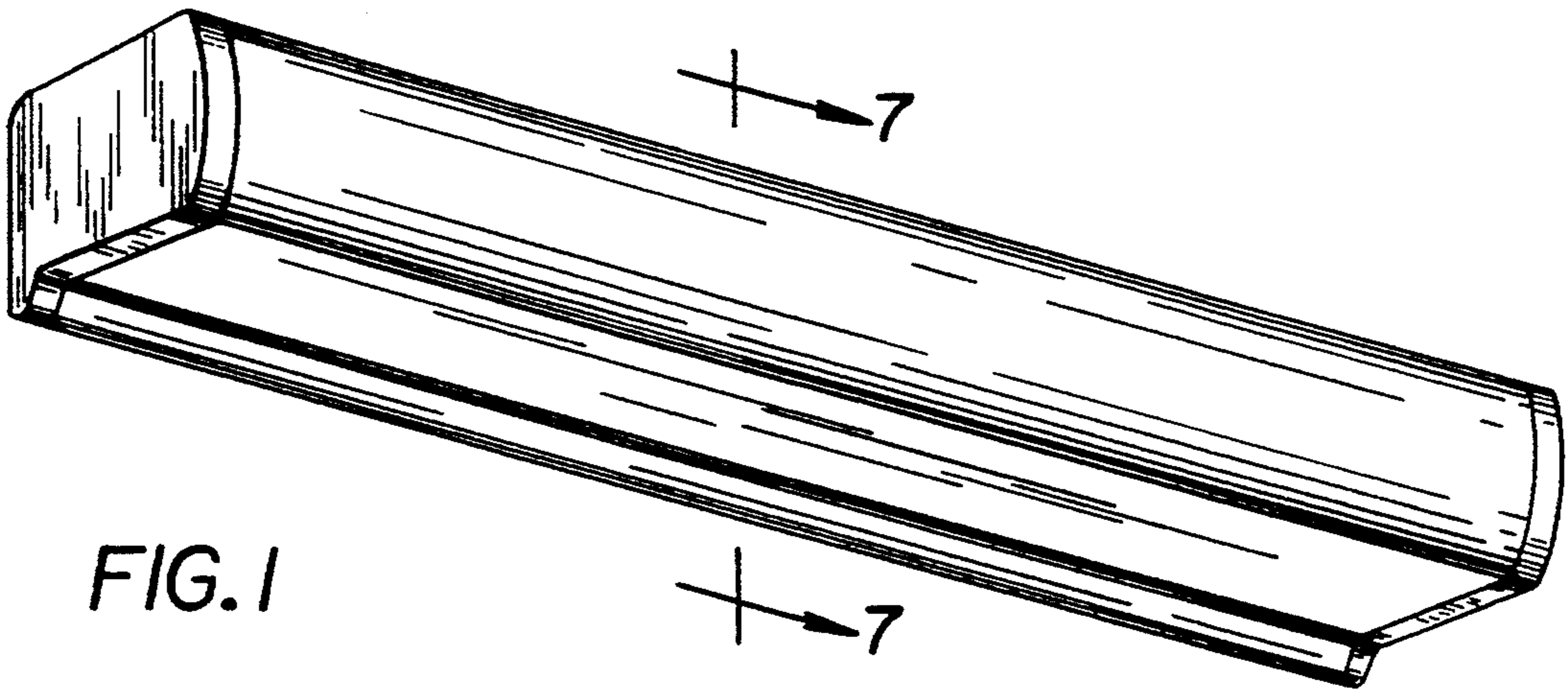


FIG. 2

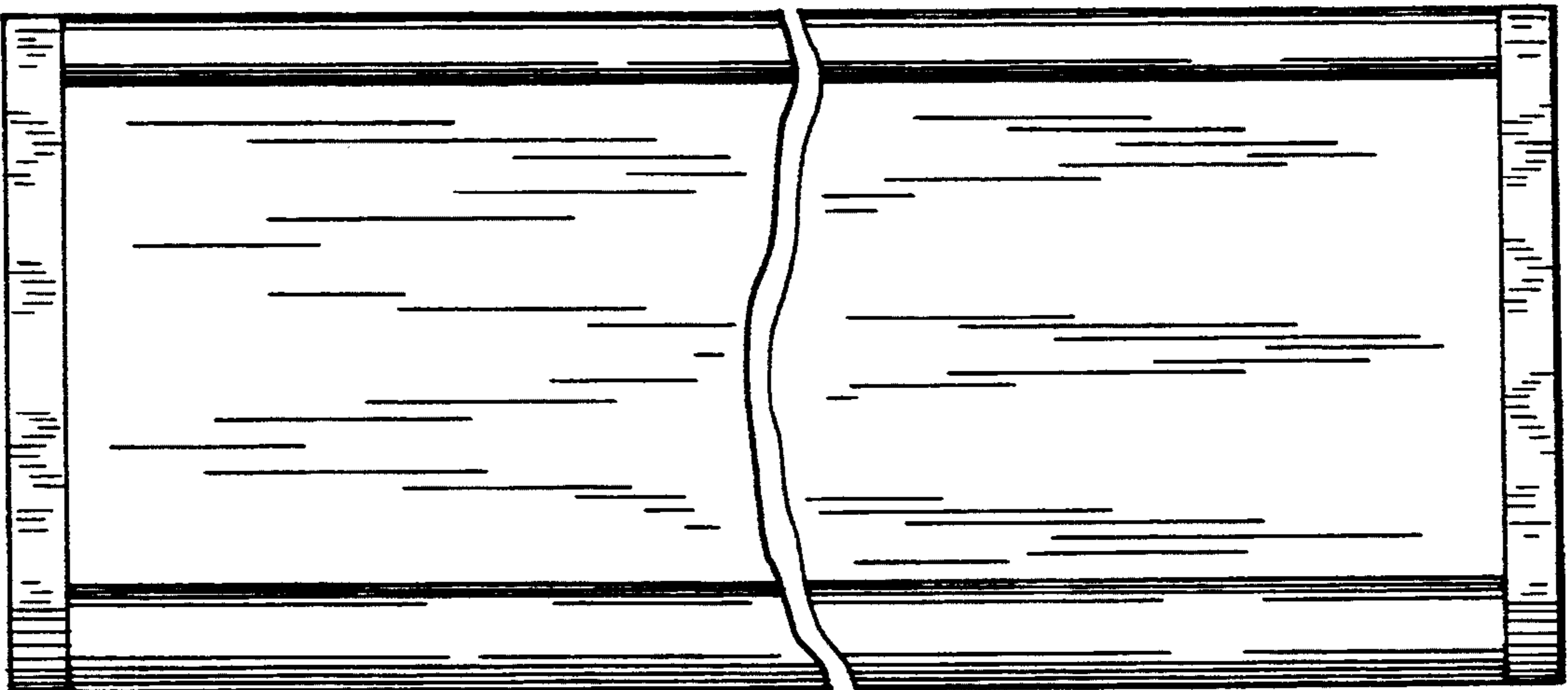


FIG. 3

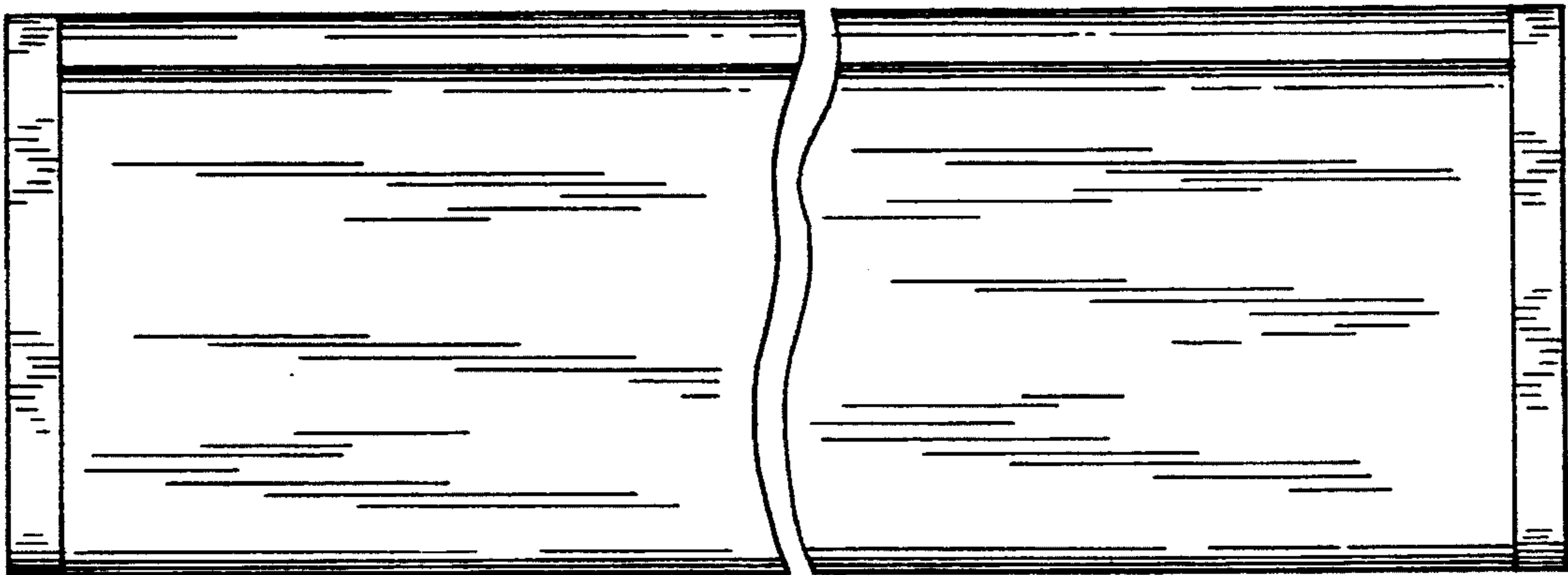


FIG. 4

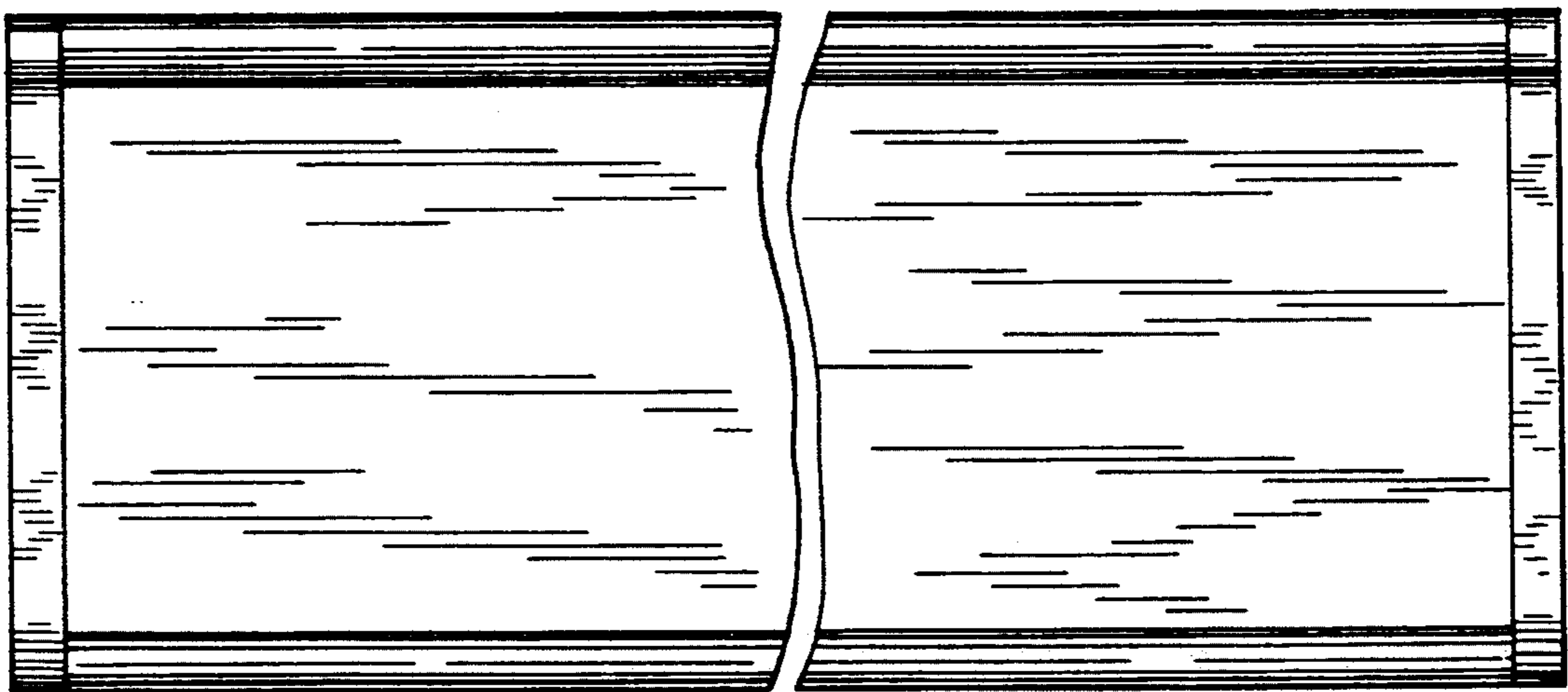


FIG. 5

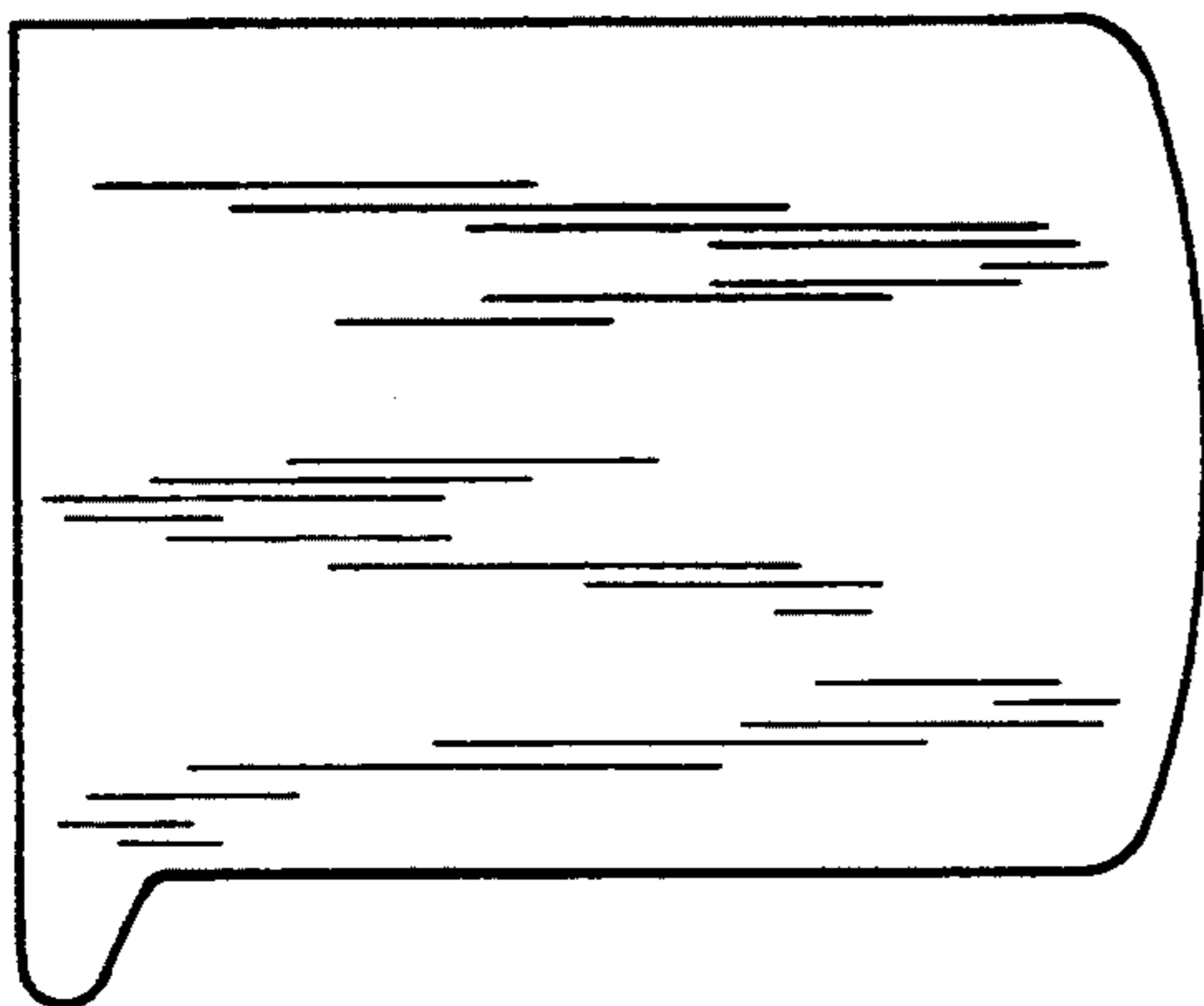


FIG. 6

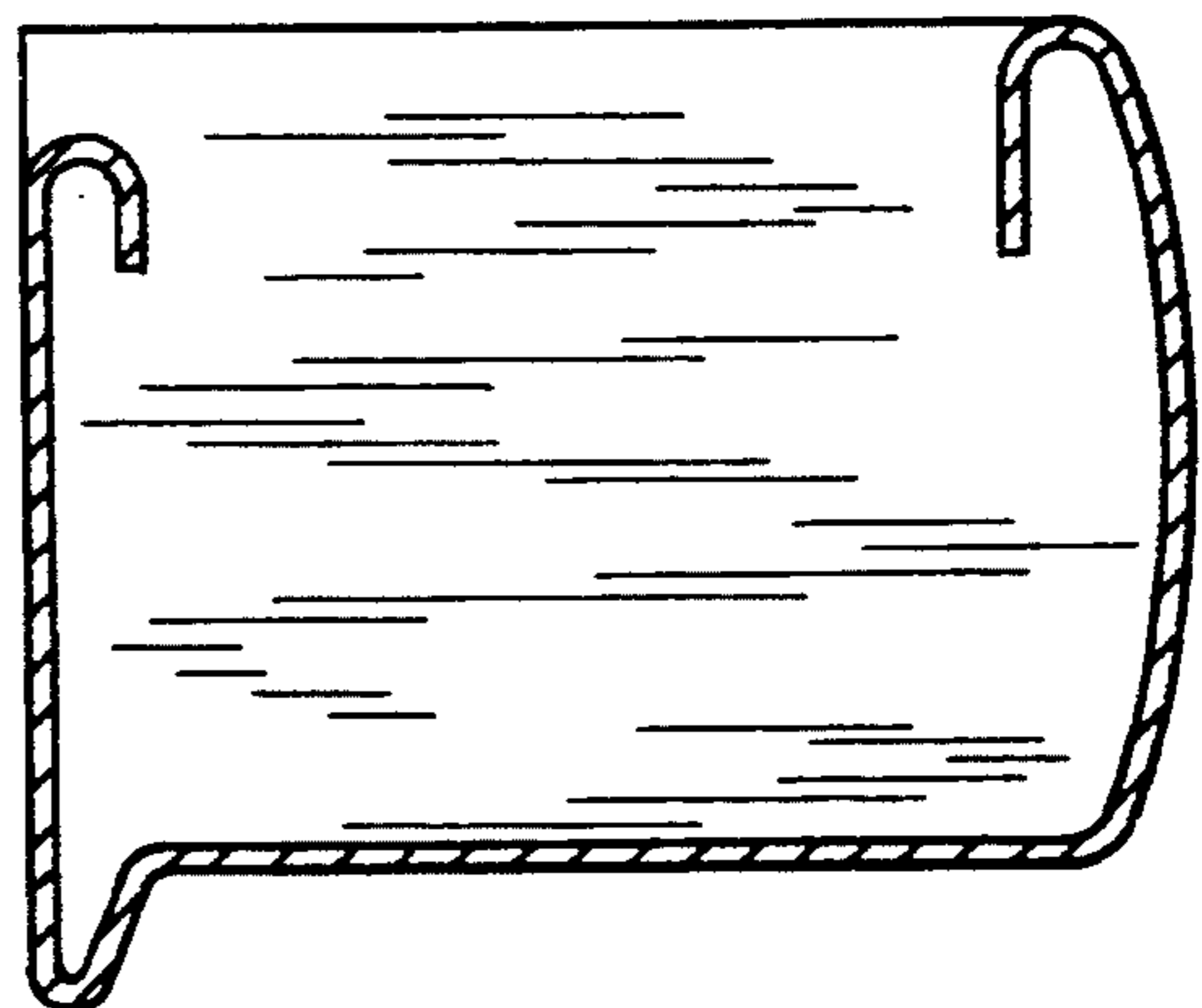


FIG. 7