



US00D355091S

United States Patent [19]

[11] Patent Number: **Des. 355,091**

Green et al.

[45] Date of Patent: **** Feb. 7, 1995**

[54] **DESK TOP**

[75] Inventors: **Patrick M. Green, Maryville; Robert R. Huerto, Farragut, both of Tenn.**

[73] Assignee: **Rubbermaid Office Products Inc., Wooster, Ohio**

[**] Term: **14 Years**

[21] Appl. No.: **16,925**

[22] Filed: **Dec. 29, 1993**

[52] U.S. Cl. **D6/511; D6/406**

[58] Field of Search **D6/406, 419, 420, 509-511, D6/338, 339, 480, 482, 484, 422; D7/550, 553, 554, 698, 555; D10/97; 108/42-46, 49, 25, 32; 297/148-150, 153**

[56] **References Cited**

U.S. PATENT DOCUMENTS

D. 235,743	7/1975	Izenon	D10/97
D. 239,488	4/1987	Sandefur	D6/159
D. 281,297	11/1985	Esslinger	D6/484
D. 318,768	8/1991	Westland et al.	D6/422
D. 322,729	12/1992	Diffrient	D6/487
D. 336,394	6/1993	Ball	D6/487
D. 338,574	8/1993	Schroeder et al.	D6/406 X
2,640,747	6/1953	Bodenhoff	108/43 X
2,675,288	4/1954	Usher	312/194
3,181,483	5/1965	De Vitt et al.	D7/553 X
3,882,795	5/1975	Korell	108/1
4,443,046	4/1984	Hannah	312/183
4,637,666	1/1987	Worrell et al.	312/196
5,081,936	1/1992	Drieling	108/25 X

OTHER PUBLICATIONS

G. F. Furniture Systems, Open Plan Systems Solutions ©1984, p. 31, Worktop at center left.

P. 219, Tables; Inmac, 2465 Augustine Dr., P.O. Box 58031, Santa Clara, Calif. 95052-8031. Publication date Winter/Spring 1992.

Pp. 17 and 18, Tables; Reliable Home Office, 421 East Stevens Dr., Ottawa, Ill. 61350. It is believed that the products depicted herein have been on sale for more than one (1) year prior to the application date of this instant application.

Catalog page, Desk; Rubbermaid Incorporated, 1147 Akron Rd., Wooster, Ohio 44691. Publication date 1993.

Primary Examiner—Janice E. Seeger

Attorney, Agent, or Firm—Richard B. O'Planick; Lisa B. Riedesel

[57] **CLAIM**

The ornamental design for a desk top, as shown and described.

DESCRIPTION

FIG. 1 is a top left front perspective view of a desk top showing our new design;

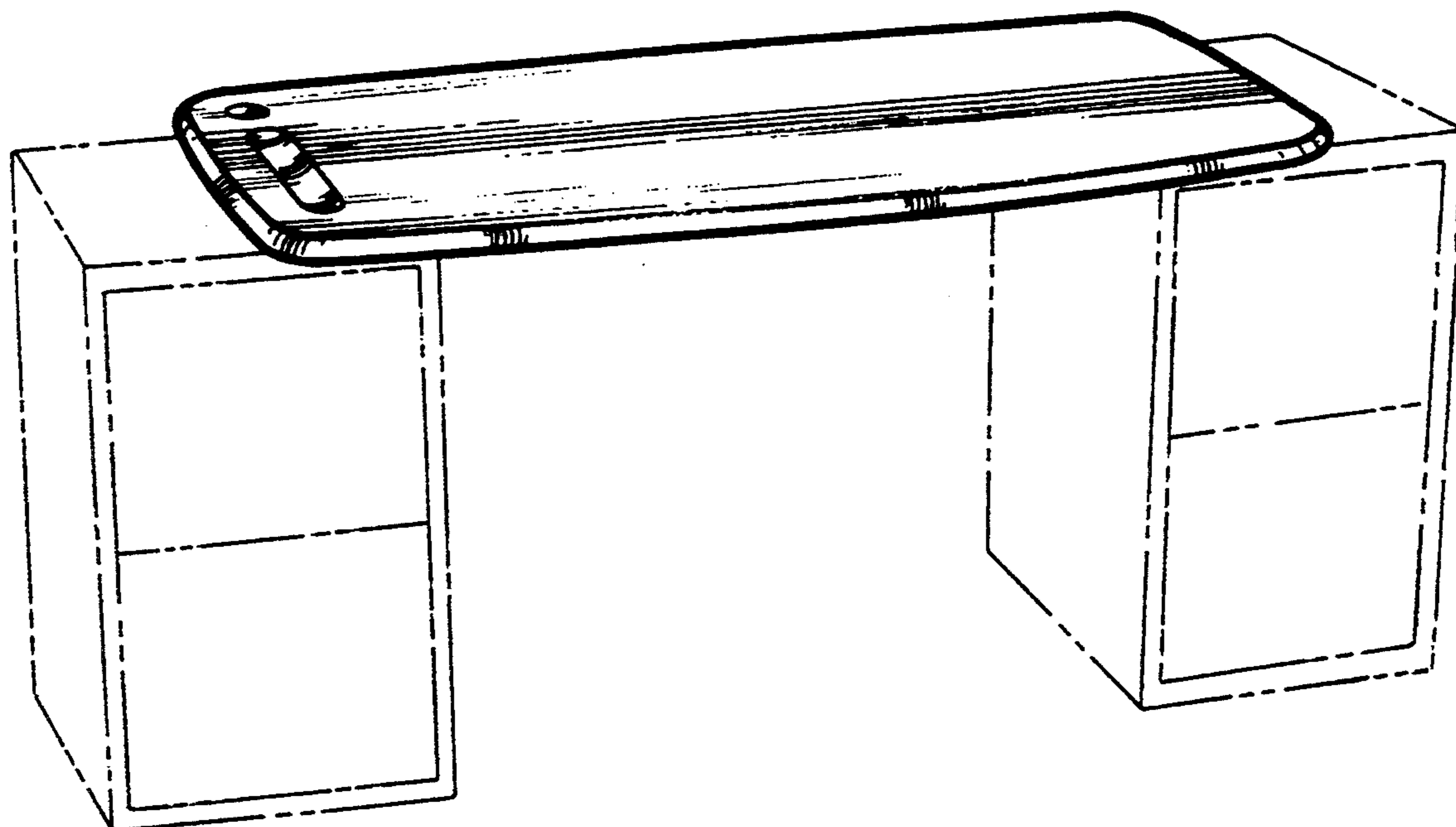
FIG. 2 is a top plan view thereof;

FIG. 3 is a front elevational view thereof; the rear elevational view being a mirror image;

FIG. 4 is a left side elevational view thereof; the right side elevational view being a mirror image; and,

FIG. 5 is a bottom plan view thereof.

The broken lines are for environmental purposes only and form no part of the claimed design.



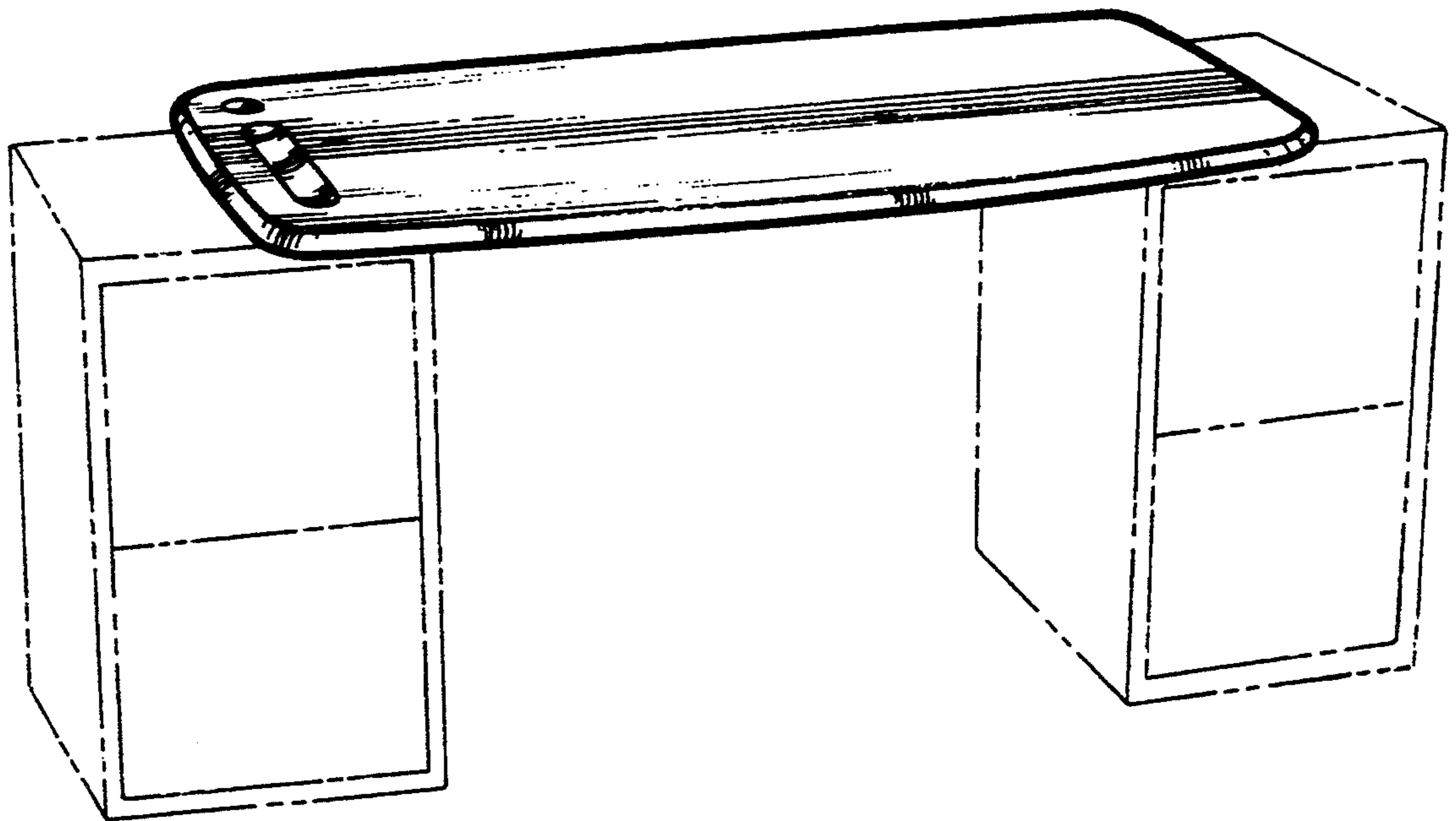


Fig-1

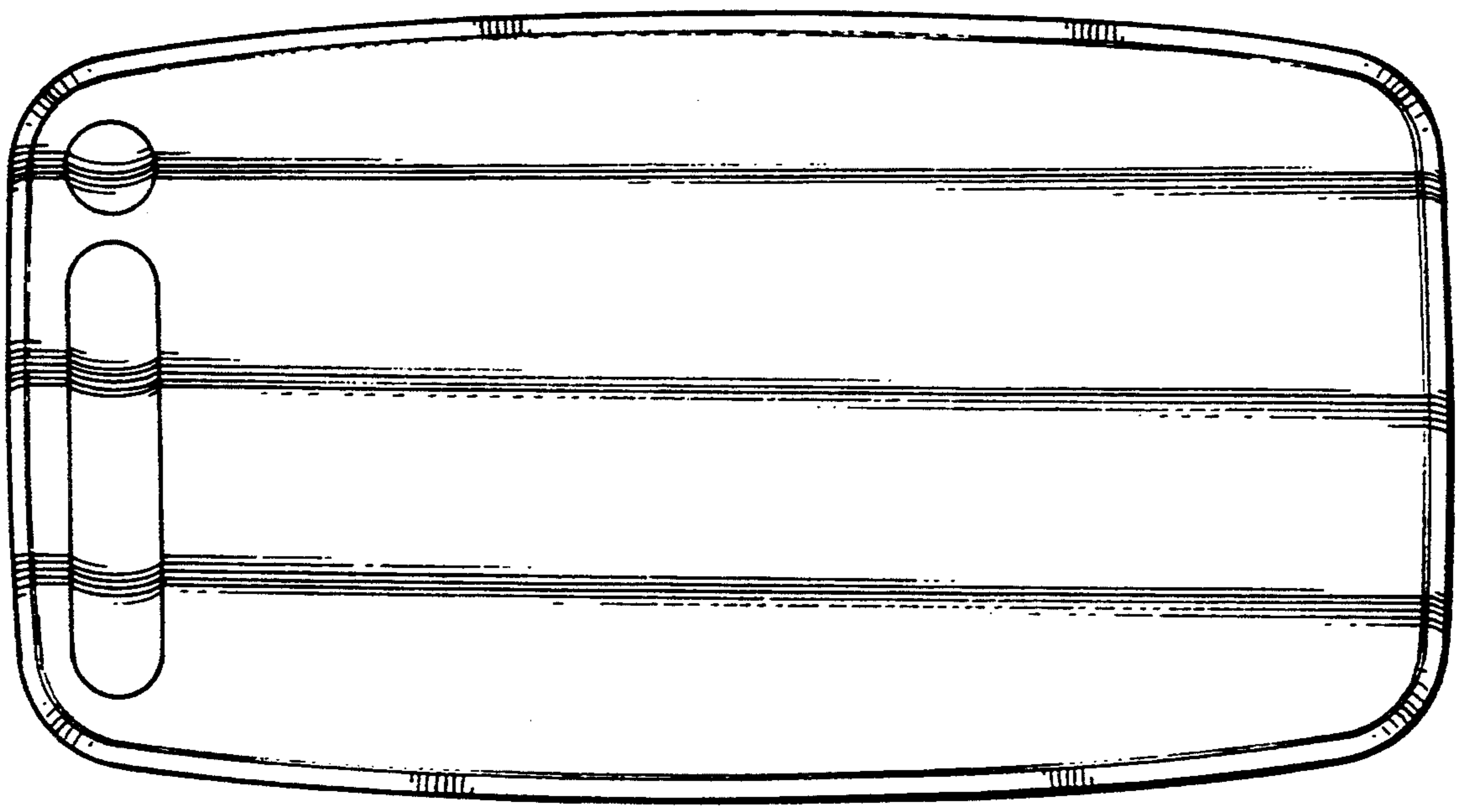


Fig-2



Fig-3



Fig-4

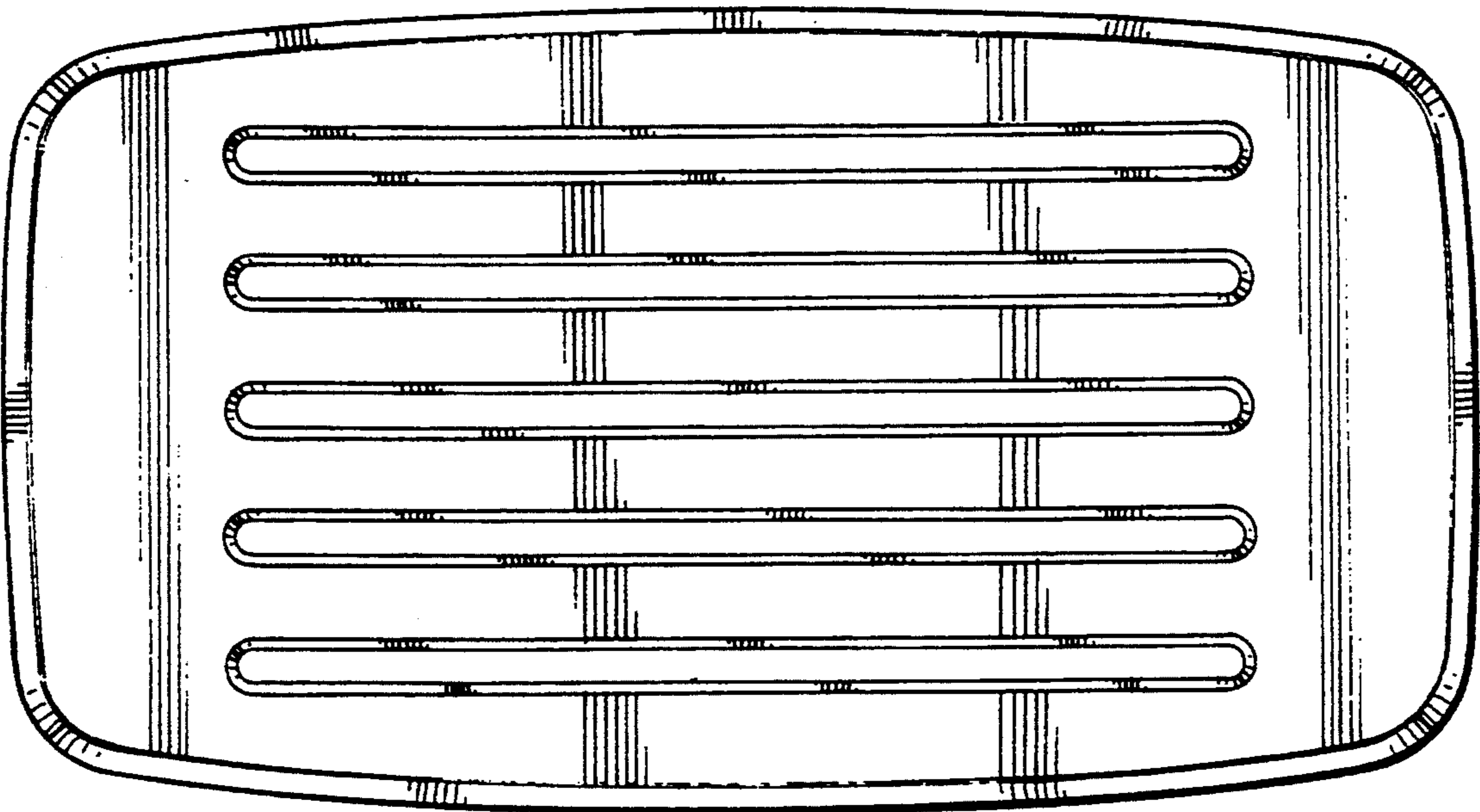


Fig-5