



US00D355090S

# United States Patent [19]

[11] Patent Number: **Des. 355,090**

**Ivicevic**

[45] Date of Patent: **\*\* Feb. 7, 1995**

[54] SEAT

[75] Inventor: **Dragomir N. Ivicevic**, New York, N.Y.

[73] Assignee: **Westinghouse Electric Corporation**, Pittsburgh, Pa.

[\*\*] Term: **14 Years**

[21] Appl. No.: **9,009**

[22] Filed: **Jun. 1, 1993**

[52] U.S. Cl. .... **D6/502**

[58] Field of Search ..... **D6/334, 363, 366-369, D6/375, 500-502; 297/452.11, 452.12, 452.14, 452.17, 452.18, 452.21, 452.24, 452.55, 452.26, 452.27, 452.28**

D. 279,947 8/1985 Ballarini ..... D6/334 X  
 D. 298,188 10/1988 Hensel ..... D6/366  
 D. 326,961 6/1992 Hannah et al. .... D6/366  
 D. 336,380 6/1993 Roseen et al. .... D6/366  
 D. 342,404 12/1993 Homann ..... D6/500  
 3,586,370 6/1971 Barecki ..... 297/452.12 X  
 4,938,530 7/1990 Snyder et al. .... 297/452.14 X

### OTHER PUBLICATIONS

Domus-Dec. 1987, chair.  
*Primary Examiner*—Janice E. Seeger  
*Attorney, Agent, or Firm*—Carla J. Vrsansky

### CLAIM

The ornamental design for a seat, as shown and described.

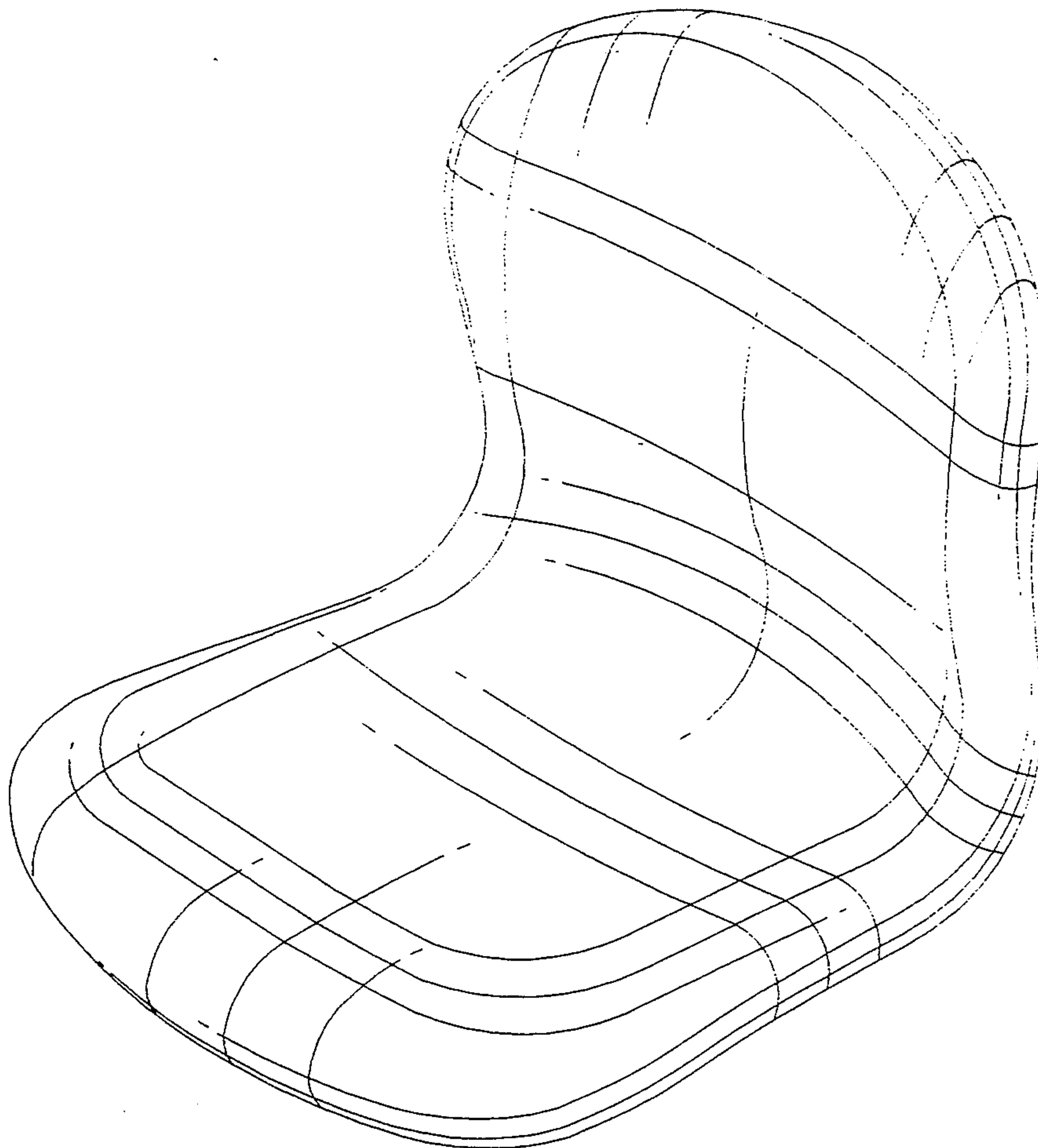
### DESCRIPTION

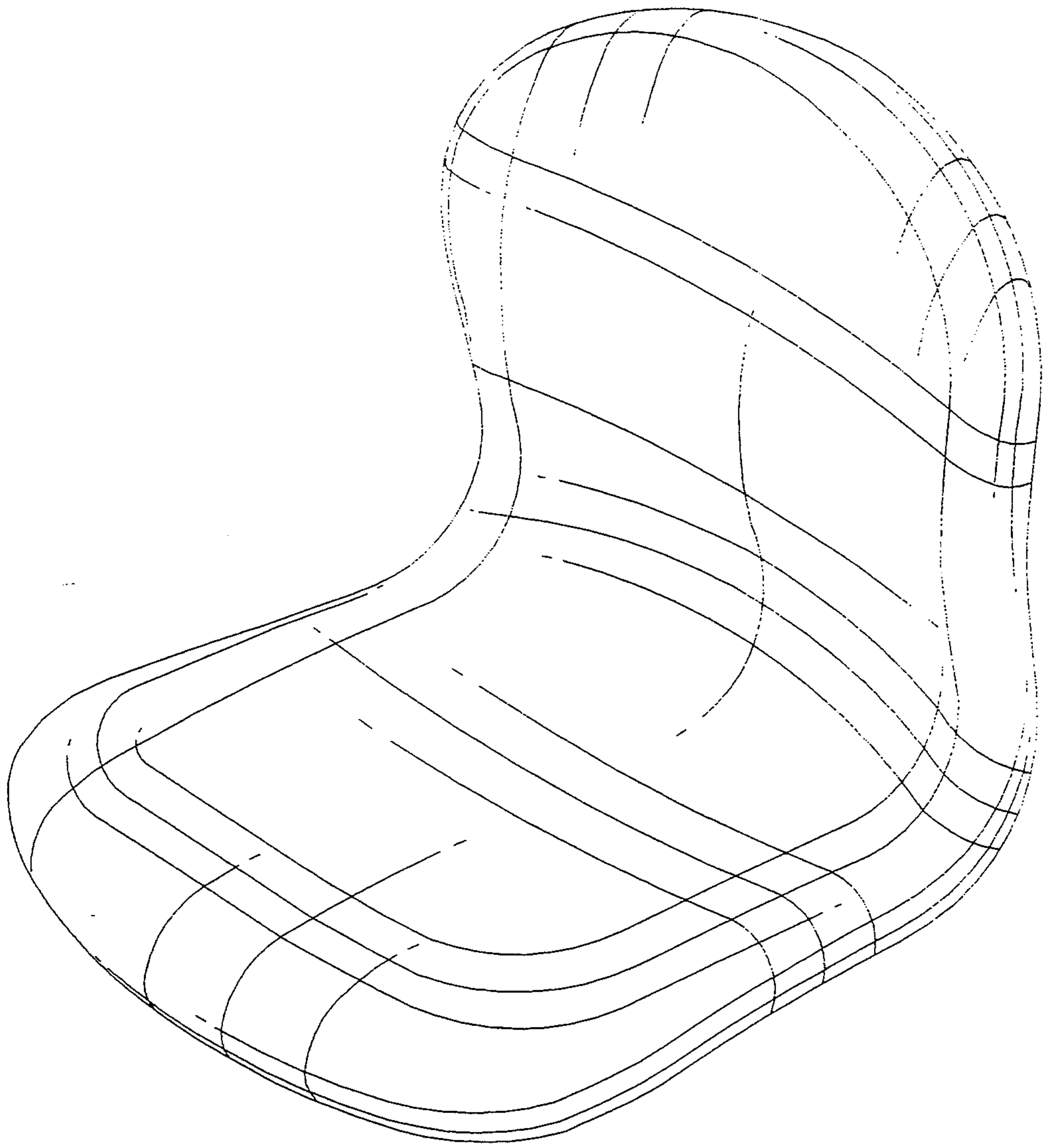
FIG. 1 is a perspective view of a seat showing my new design;  
 FIG. 2 is a front elevational view thereof;  
 FIG. 3 is a left side elevational view thereof, the right side being a mirror image thereof;  
 FIG. 4 is a top plan view thereof;  
 FIG. 5 is a bottom plan view thereof; and,  
 FIG. 6 is a rear elevational view thereof.

### References Cited

#### U.S. PATENT DOCUMENTS

D. 200,638 3/1965 Midyette ..... D6/375  
 D. 241,288 9/1976 Tacke ..... D6/366  
 D. 253,206 10/1979 Buhk ..... D6/366  
 D. 275,053 8/1984 Stephens ..... D6/366  
 D. 279,241 6/1985 Diffrient ..... D6/366  
 D. 279,443 7/1985 Diffrient ..... D6/501





*FIG. 1*

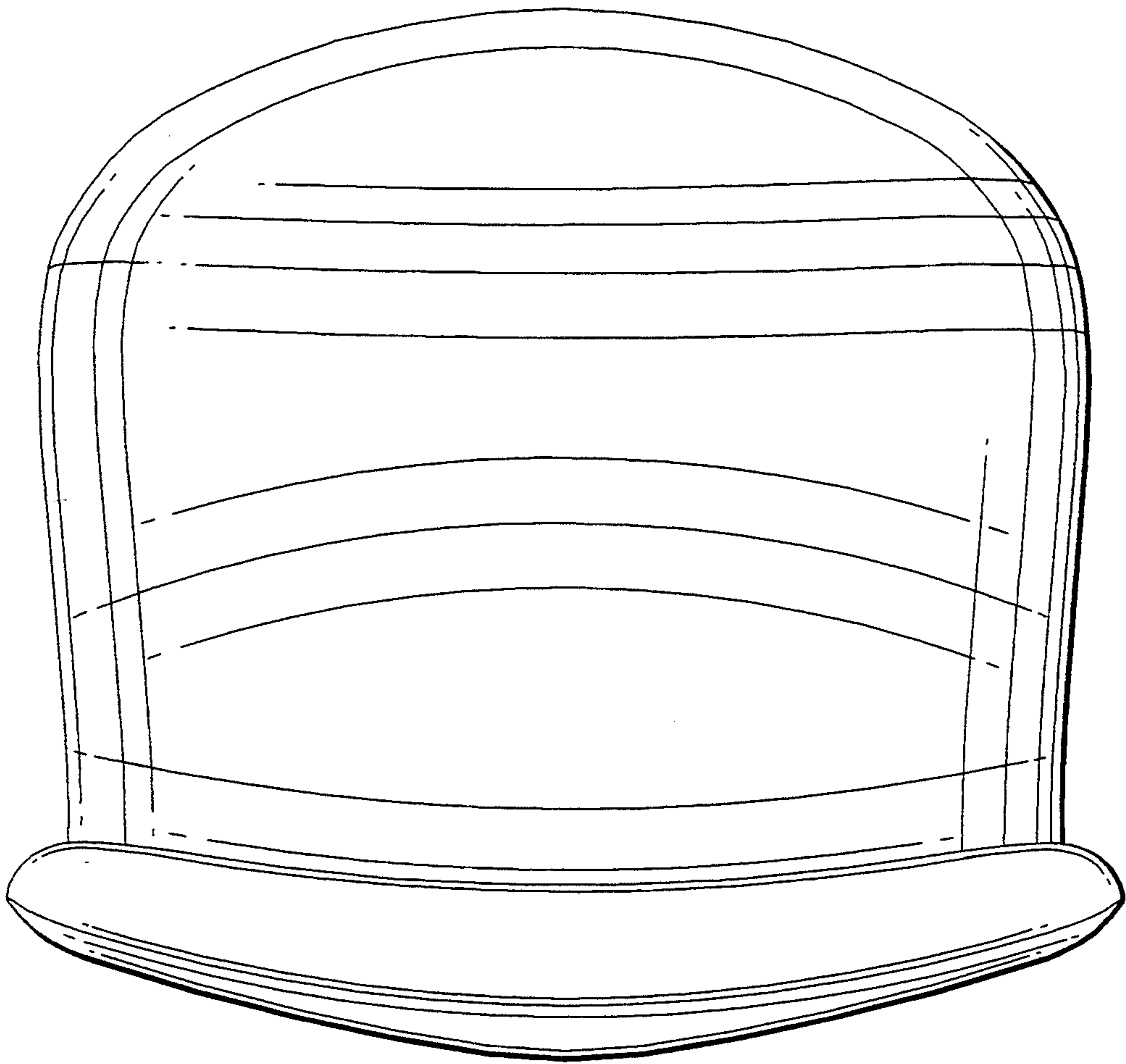
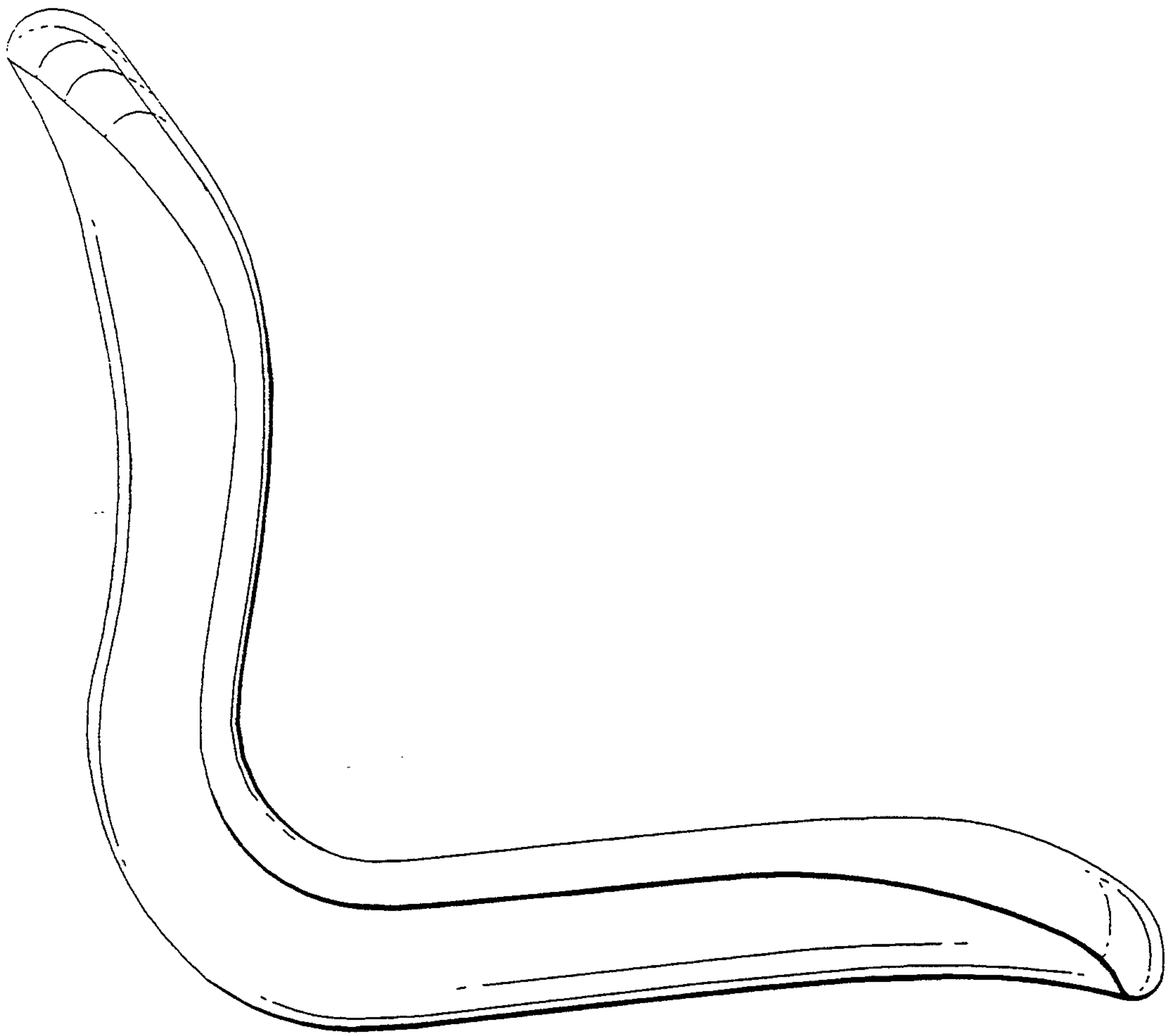


FIG. 2



*FIG. 3*

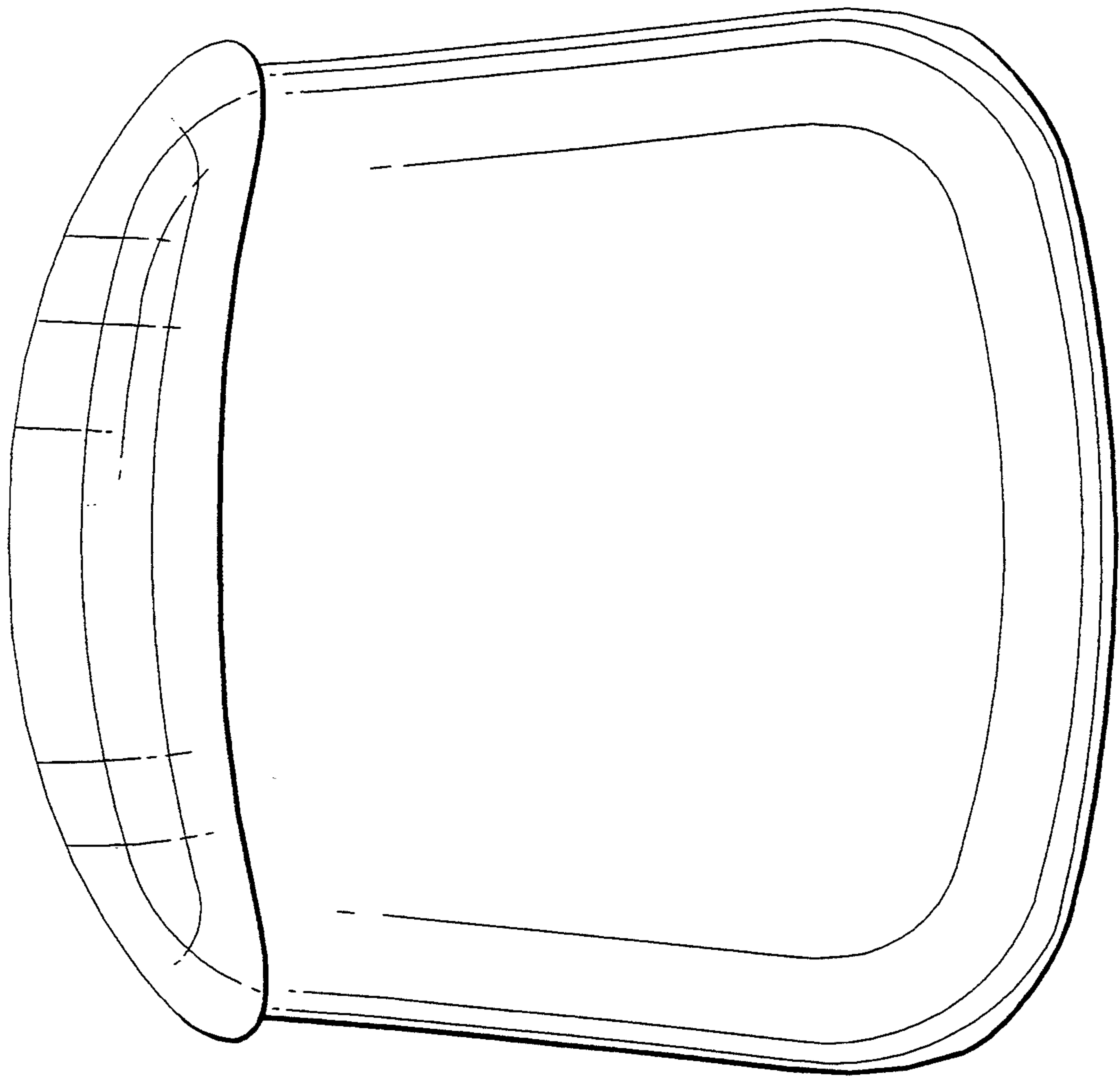


FIG. 4

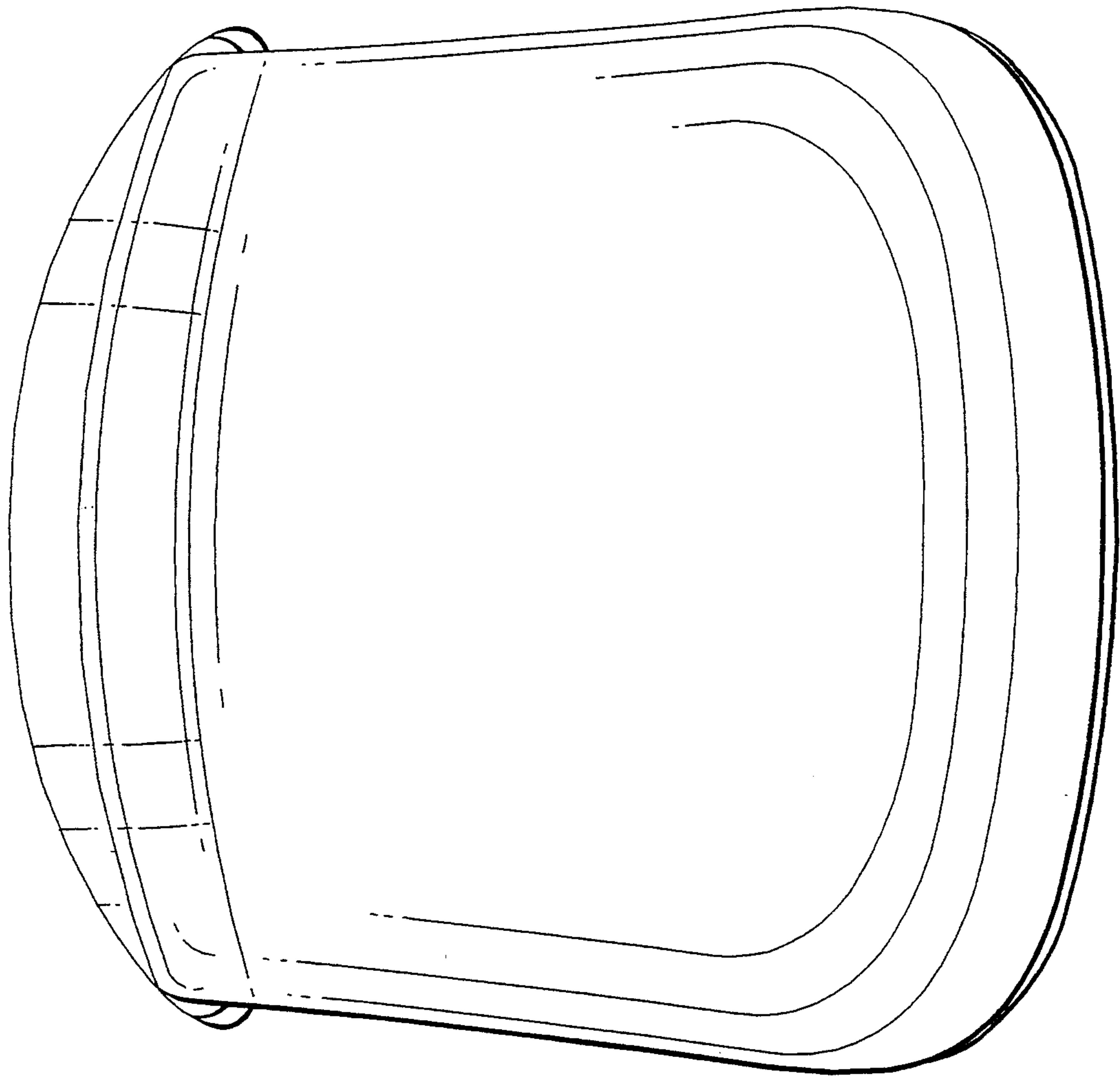


FIG. 5



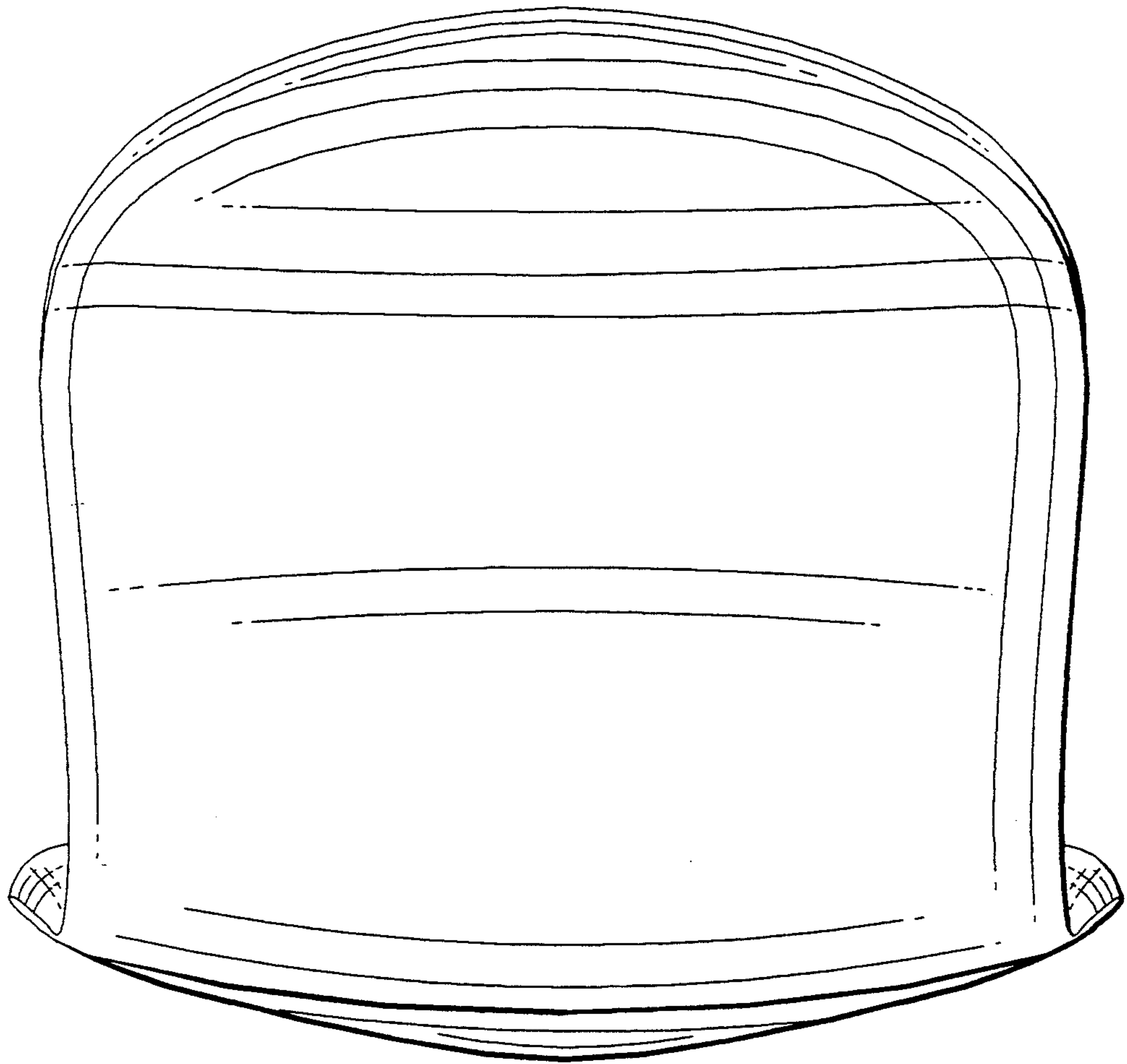


FIG. 6