



US00D355088S

United States Patent [19]

Dobbs

[11] Patent Number: **Des. 355,088**

[45] Date of Patent: **** Feb. 7, 1995**

[54] TABLE

[76] Inventor: **T. Vincent Dobbs**, 140 Barksdale Dr., Atlanta, Ga. 30309

[**] Term: **14 Years**

[21] Appl. No.: **10,792**

[22] Filed: **Jul. 19, 1993**

[52] U.S. Cl. **D6/480**

[58] Field of Search **D6/480-489, D6/495-499, 511, 429; 108/27, 115, 153, 156, 161; D34/17**

[56] **References Cited**

U.S. PATENT DOCUMENTS

D. 263,266	3/1982	Brown	D6/483
D. 274,660	7/1984	Williams	D6/483
2,750,243	6/1956	Zielfeldt	108/115 X
3,527,174	10/1968	Lay	108/115
3,915,102	10/1975	Barron	108/144

OTHER PUBLICATIONS

Thomasville, Barristar Tables, p. 4.
Thomasville, American Oak Collection Aug. 1983, p. 4, table at bottom.

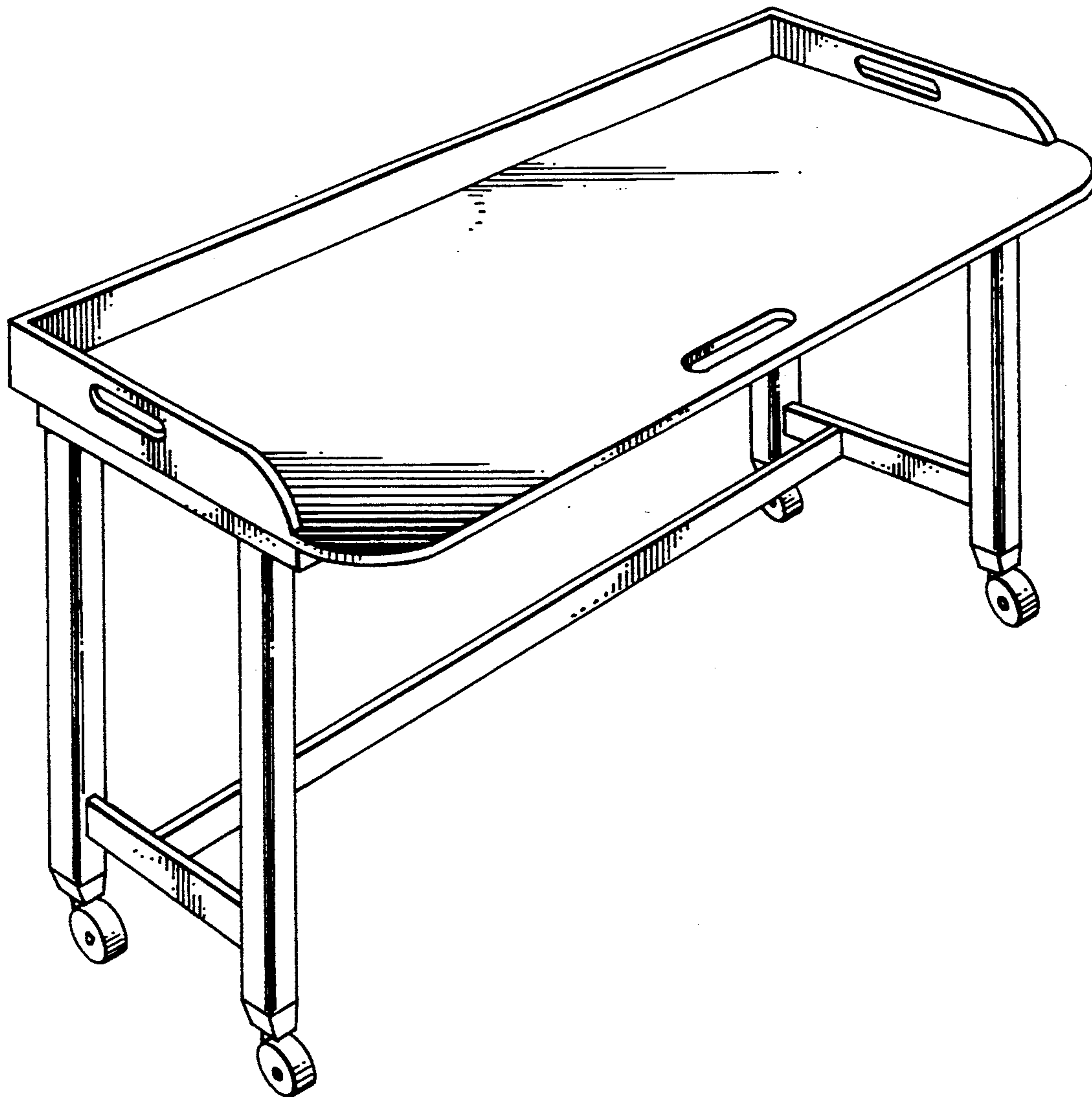
Primary Examiner—Janice E. Seeger
Attorney, Agent, or Firm—James B. Middleton

[57] CLAIM

The ornamental design for a table, as shown and described.

DESCRIPTION

FIG. 1 is a perspective view showing a table embodying my new design;
FIG. 2 is an end elevational view; the broken lines are for environmental purposes only and form no part of the claimed design;
FIG. 3 is a rear elevational view thereof; and,
FIG. 4 is a bottom plan view thereof.



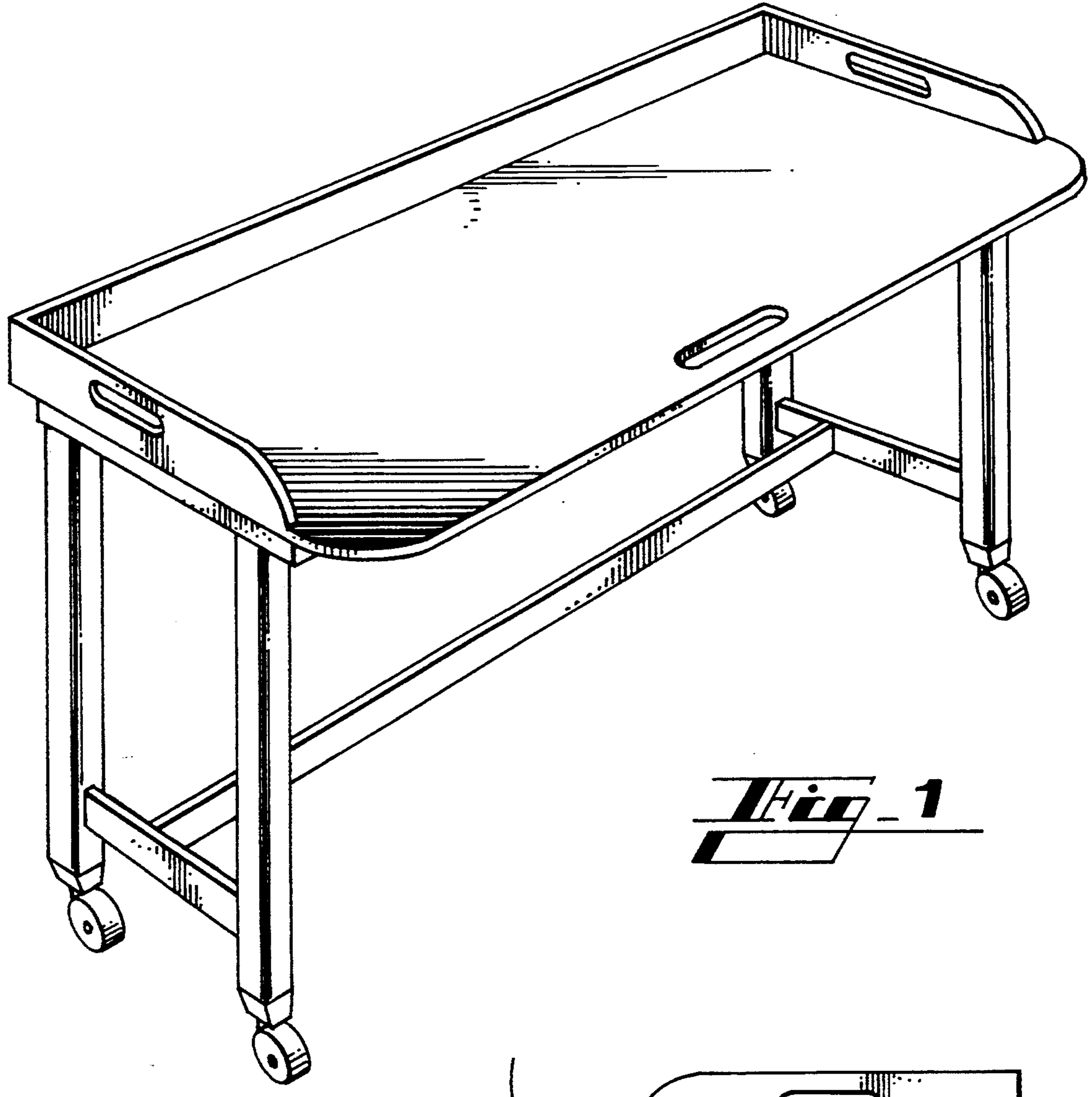


Fig. 1

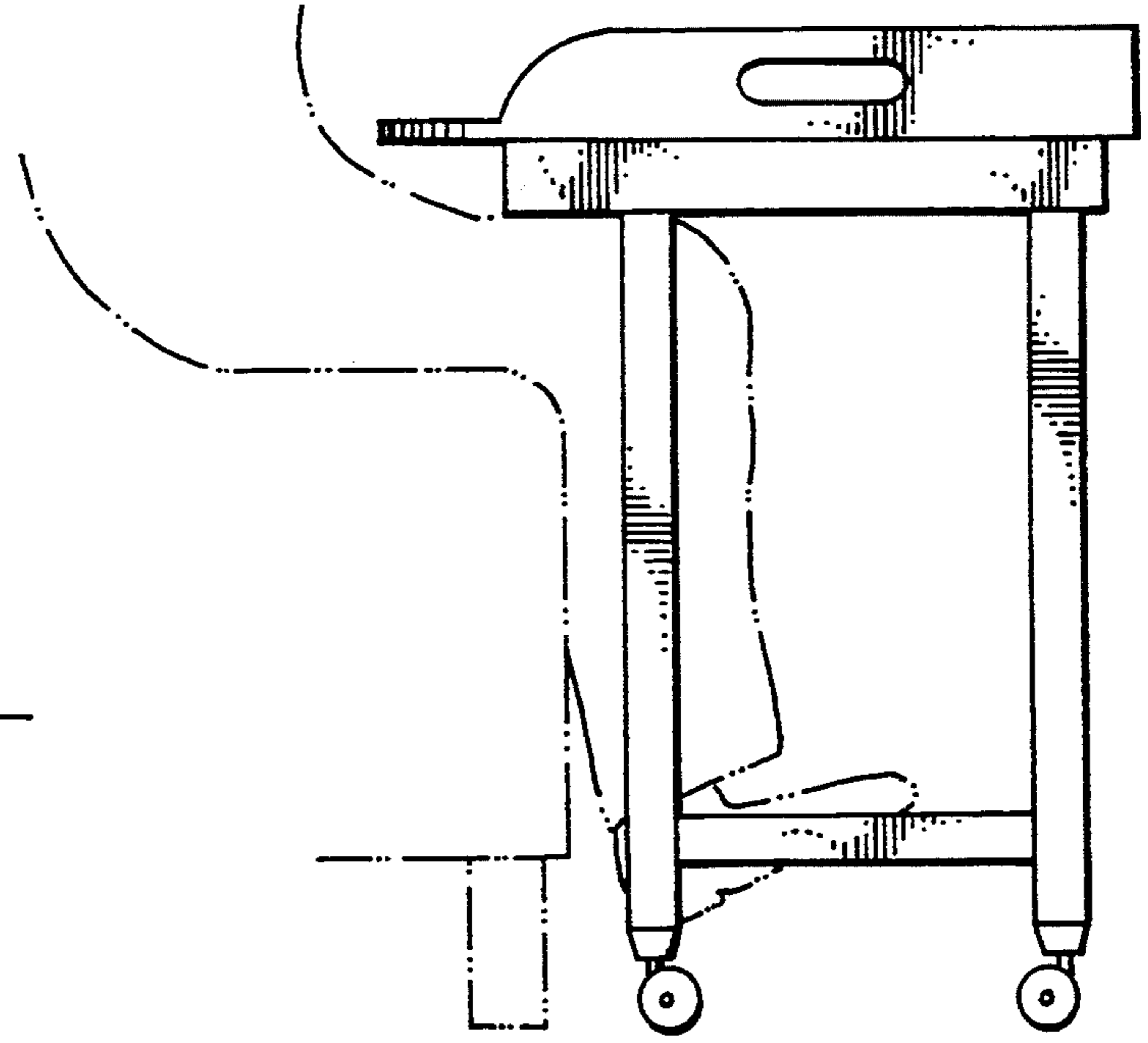


Fig. 2

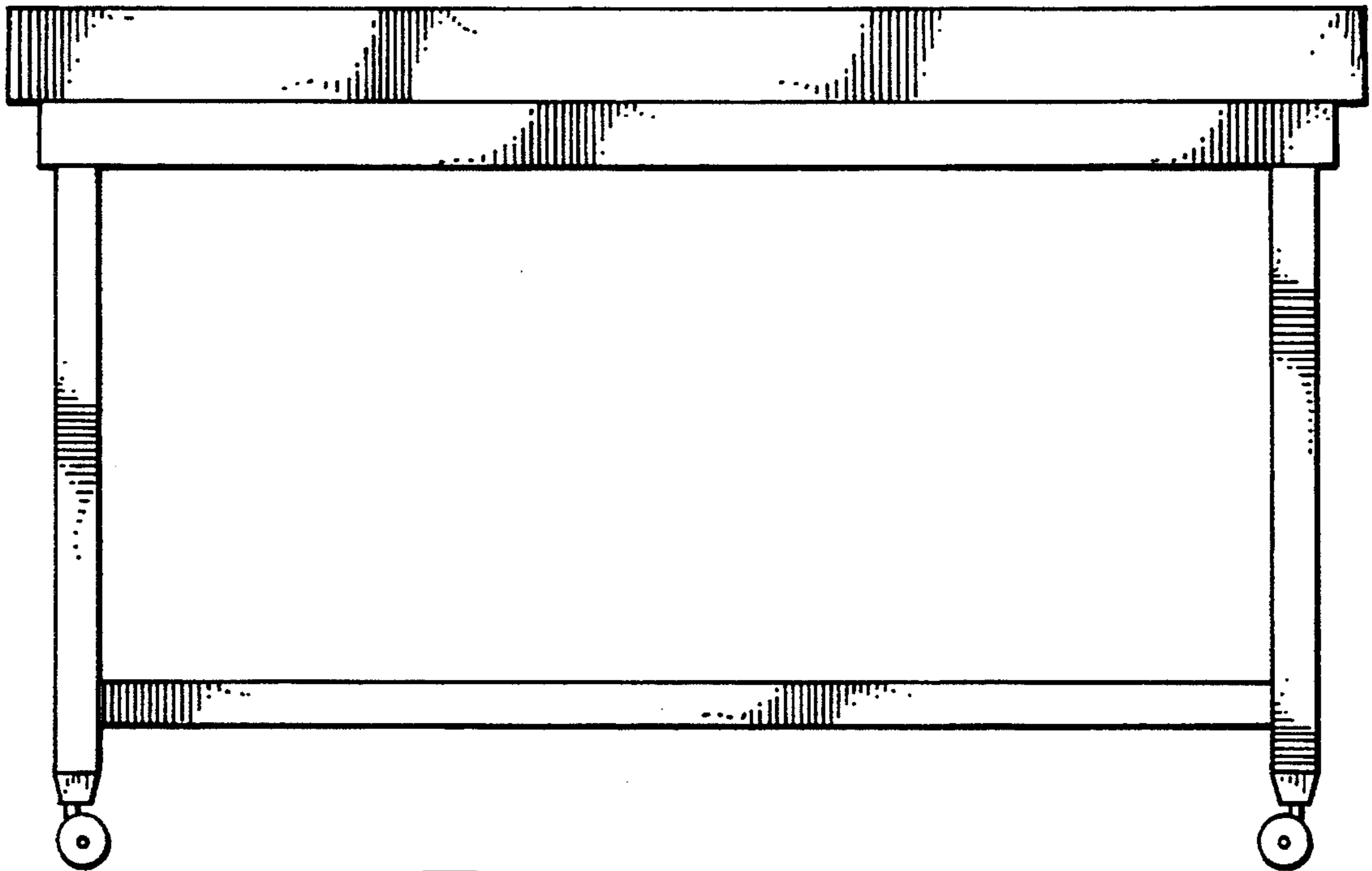


Fig. 3

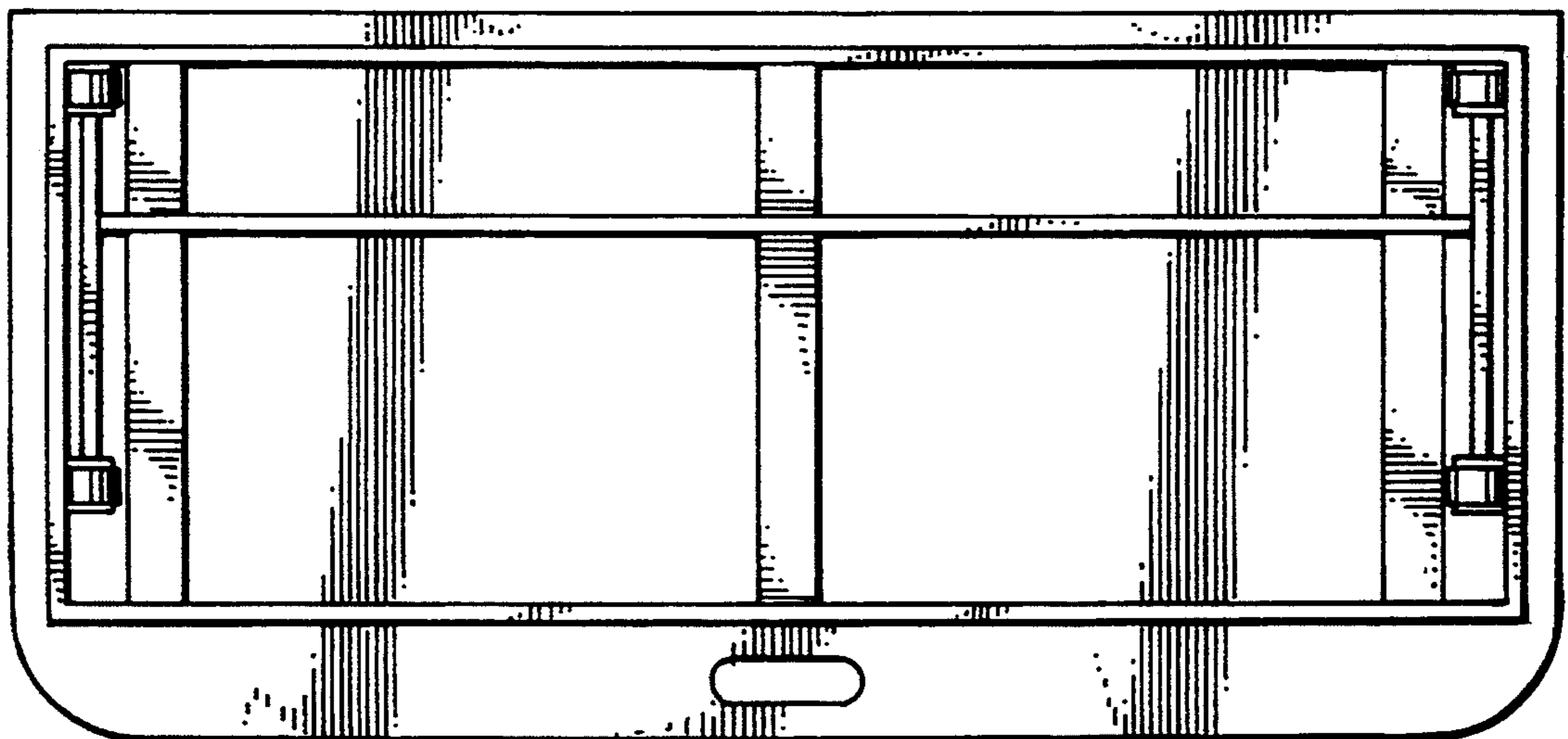


Fig. 4