



US00D355087S

United States Patent [19]
Billingsley

[11] **Patent Number: Des. 355,087**

[45] **Date of Patent: ** Feb. 7, 1995**

[54] **DISPLAY RACK**

[75] **Inventor: J. David Billingsley, Dallas, Tex.**

[73] **Assignee: The Vineyard, Inc., Dallas, Tex.**

[**] **Term: 14 Years**

[21] **Appl. No.: 2,132**

[22] **Filed: Nov. 30, 1992**

[52] **U.S. Cl. D6/464**

[58] **Field of Search D6/456-462,
D6/464-470, 474-476**

[56] **References Cited**

U.S. PATENT DOCUMENTS

D. 244,982	7/1977	Parra	D6/474 X
D. 300,776	6/1990	Yau Kee	D6/464
D. 314,103	1/1991	Yau Kee	D6/465
D. 323,256	1/1992	Kee	D6/465

OTHER PUBLICATIONS

Beagle Manuf. Co. Catalog.
International Wrought Iron Ltd.
Ferrocraft Catalog.

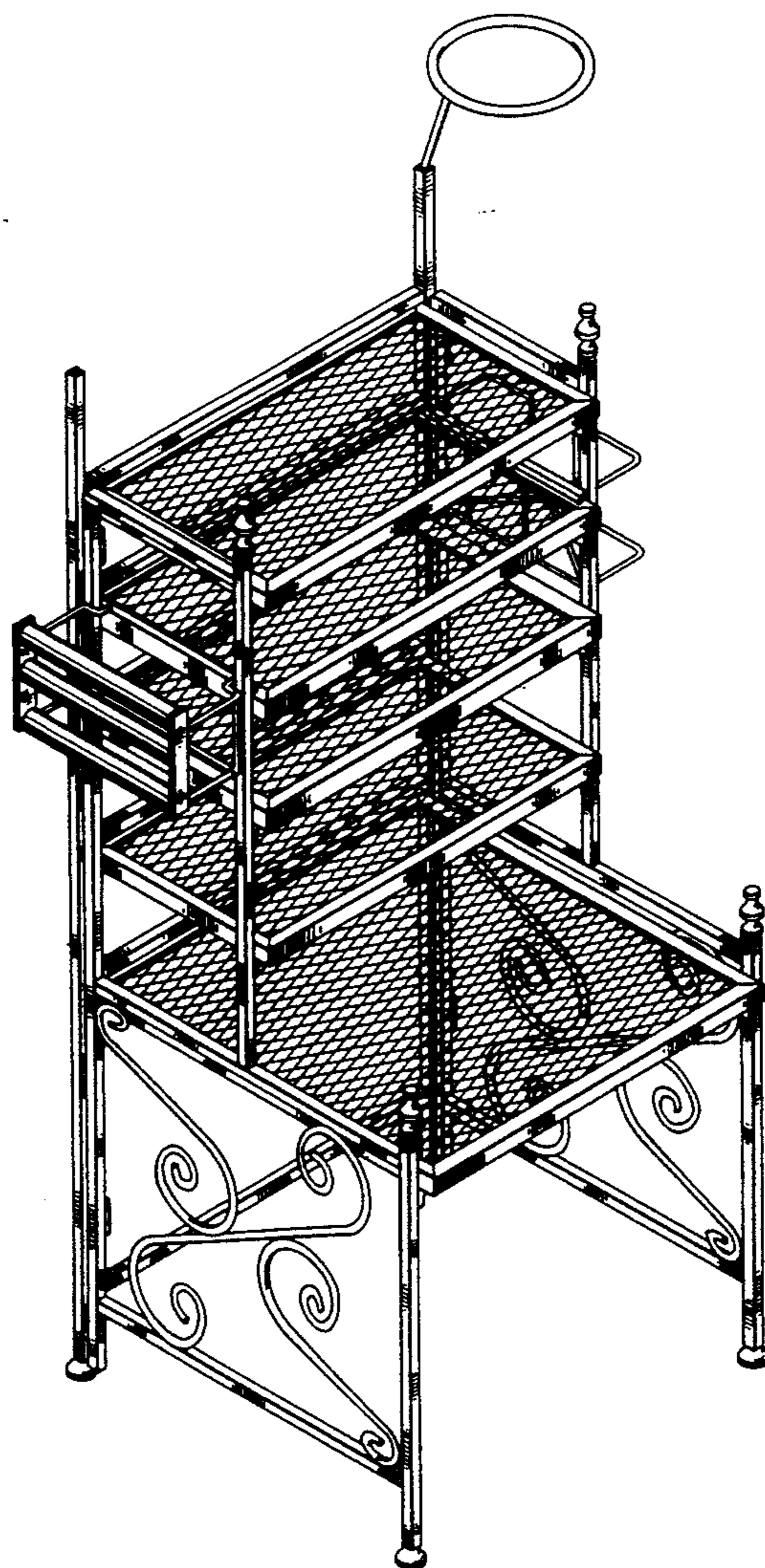
Primary Examiner—Alan P. Douglas
Assistant Examiner—S. Snapp
Attorney, Agent, or Firm—Warren B. Kice

[57] **CLAIM**

The ornamental design for a display rack, as shown and described.

DESCRIPTION

FIG. 1 is a perspective view of the display rack showing my new design;
FIG. 2 is a front elevational view thereof;
FIG. 3 is a right side elevational view thereof;
FIG. 4 is a rear elevational view;
FIG. 5 is a left side elevational view thereof;
FIG. 6 is a top plan view thereof; and,
FIG. 7 is a bottom plan view thereof.



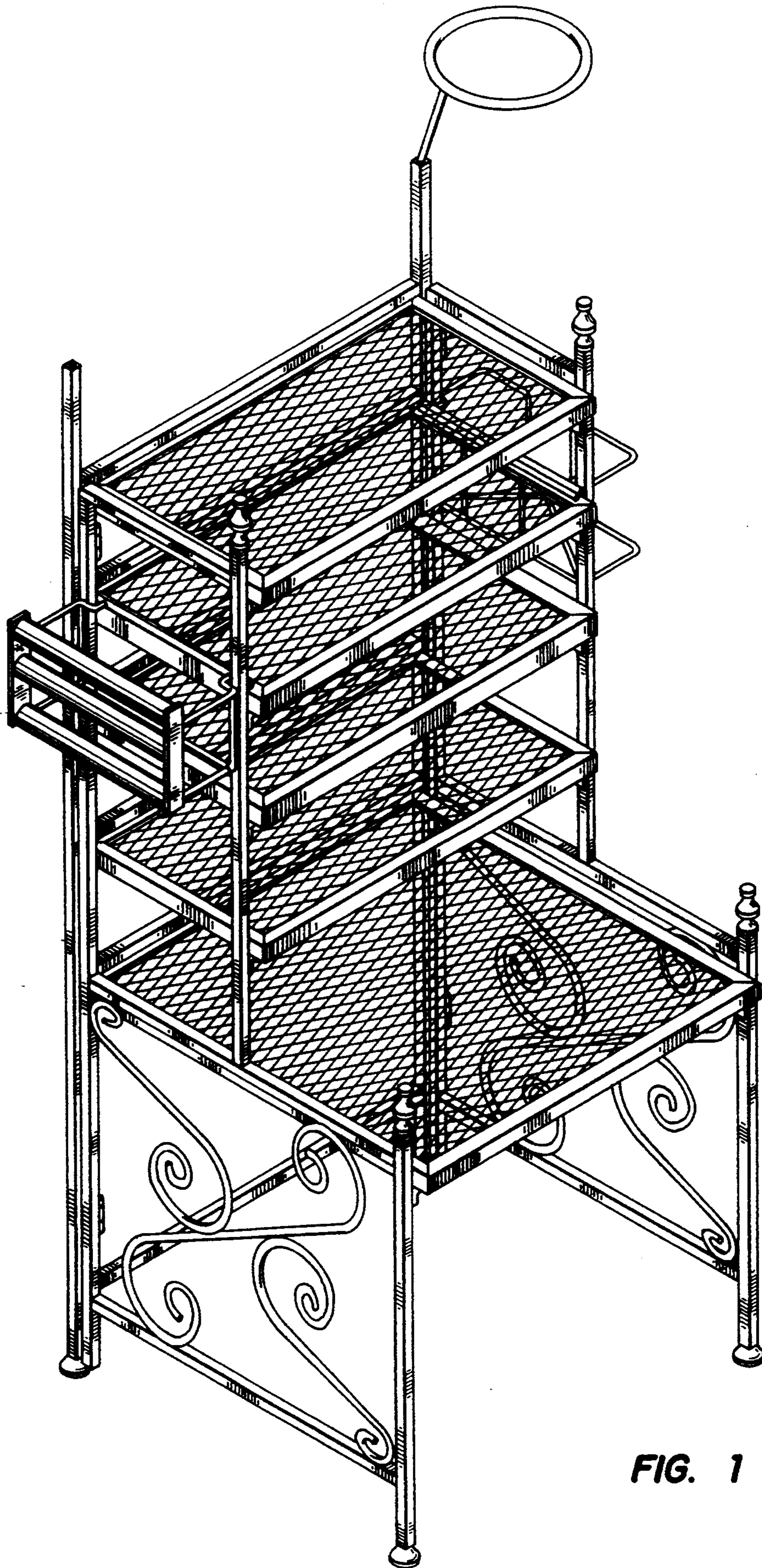


FIG. 1

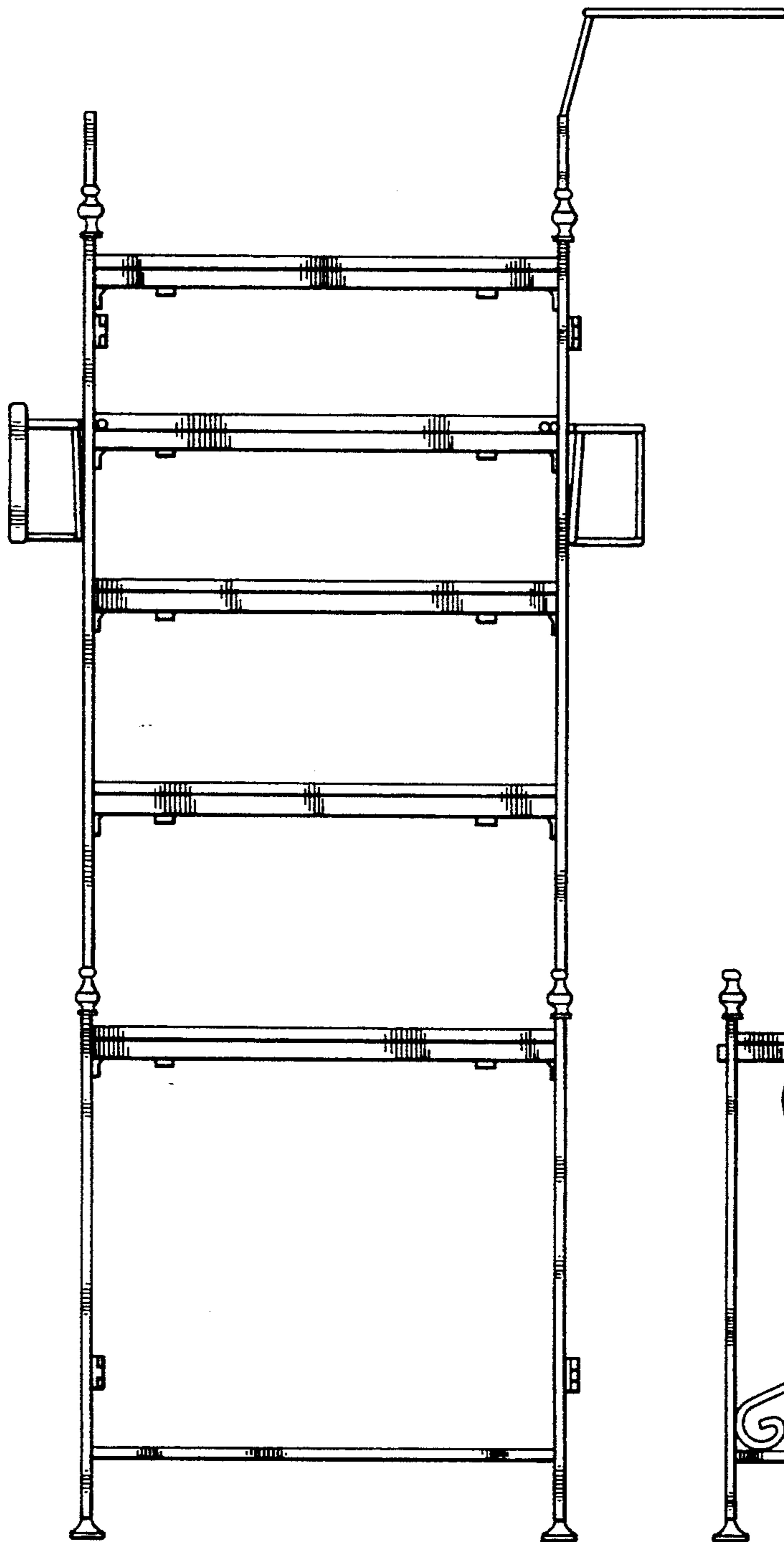


FIG. 2

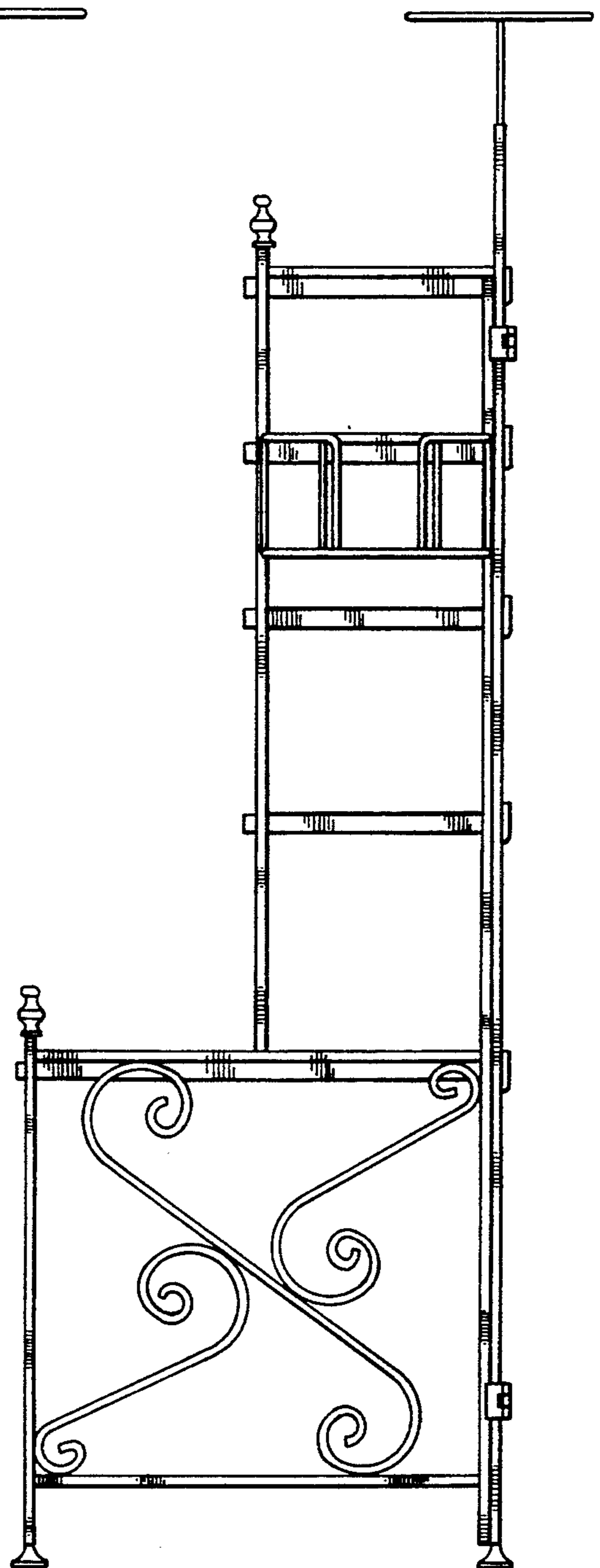


FIG. 3

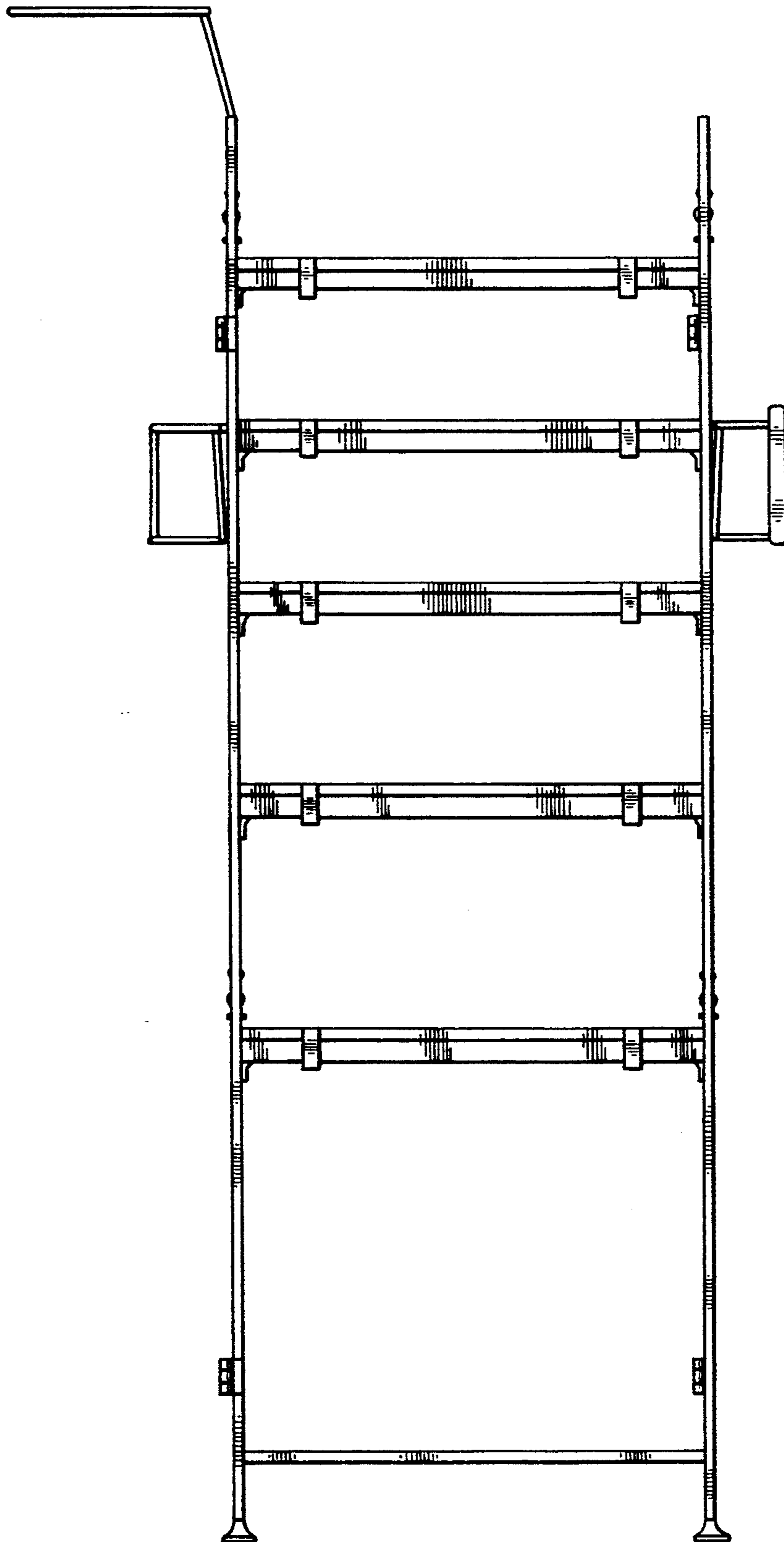


FIG. 4

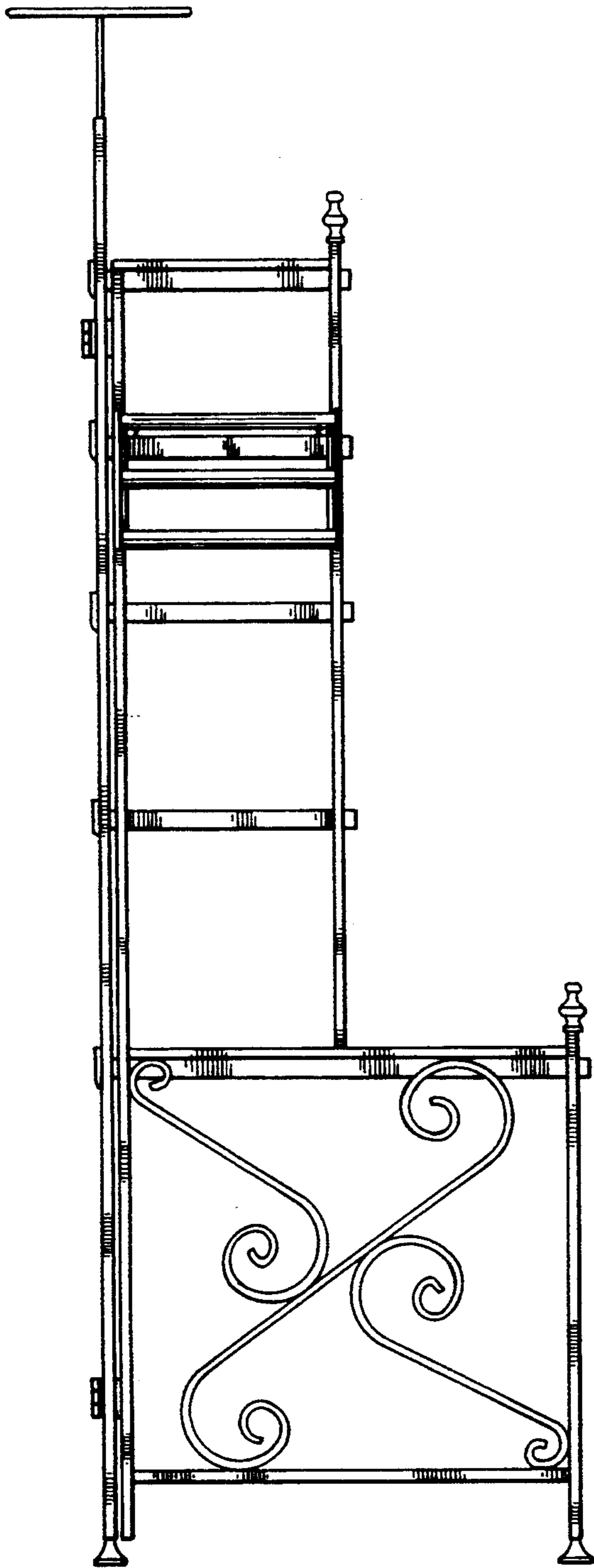


FIG. 5

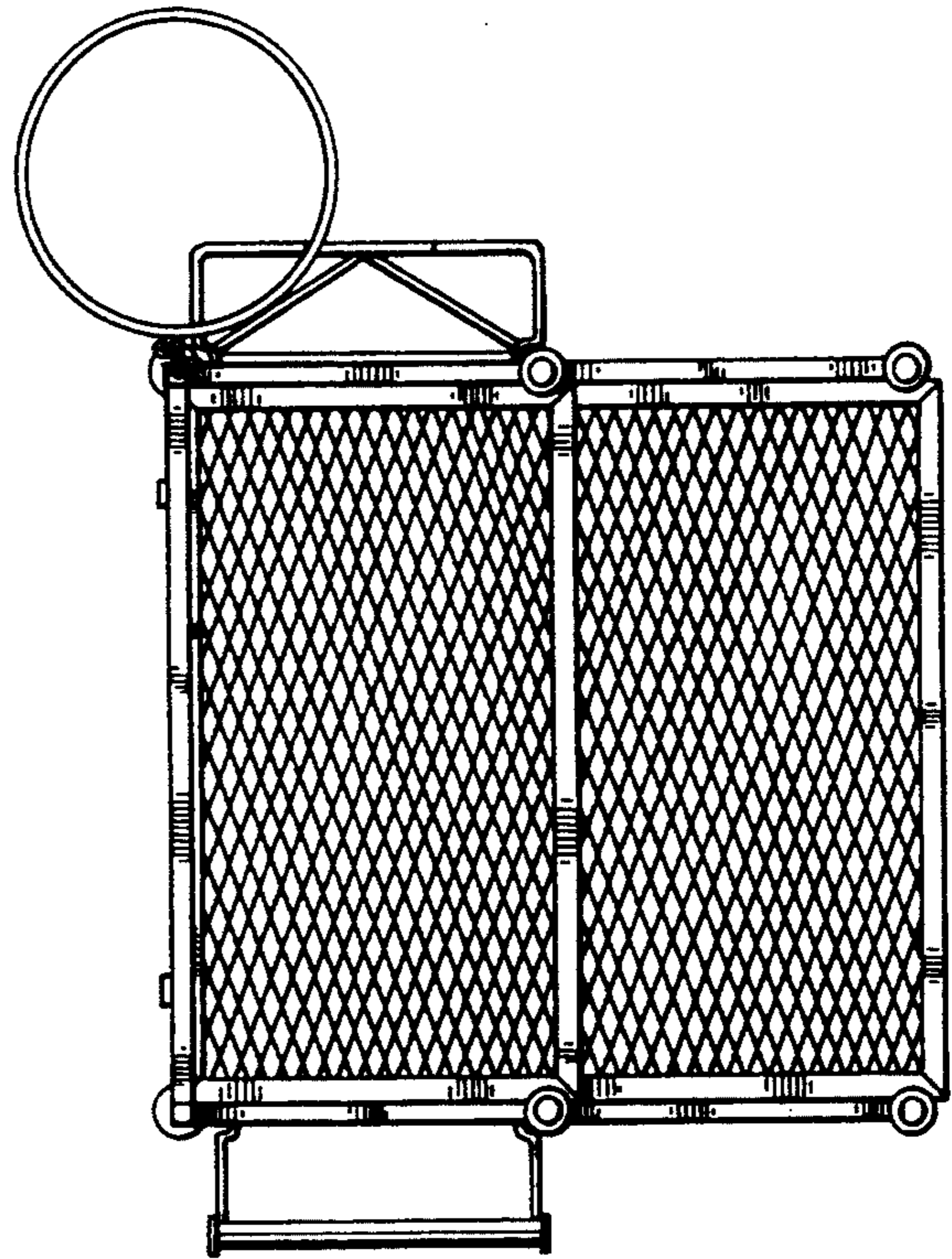


FIG. 6

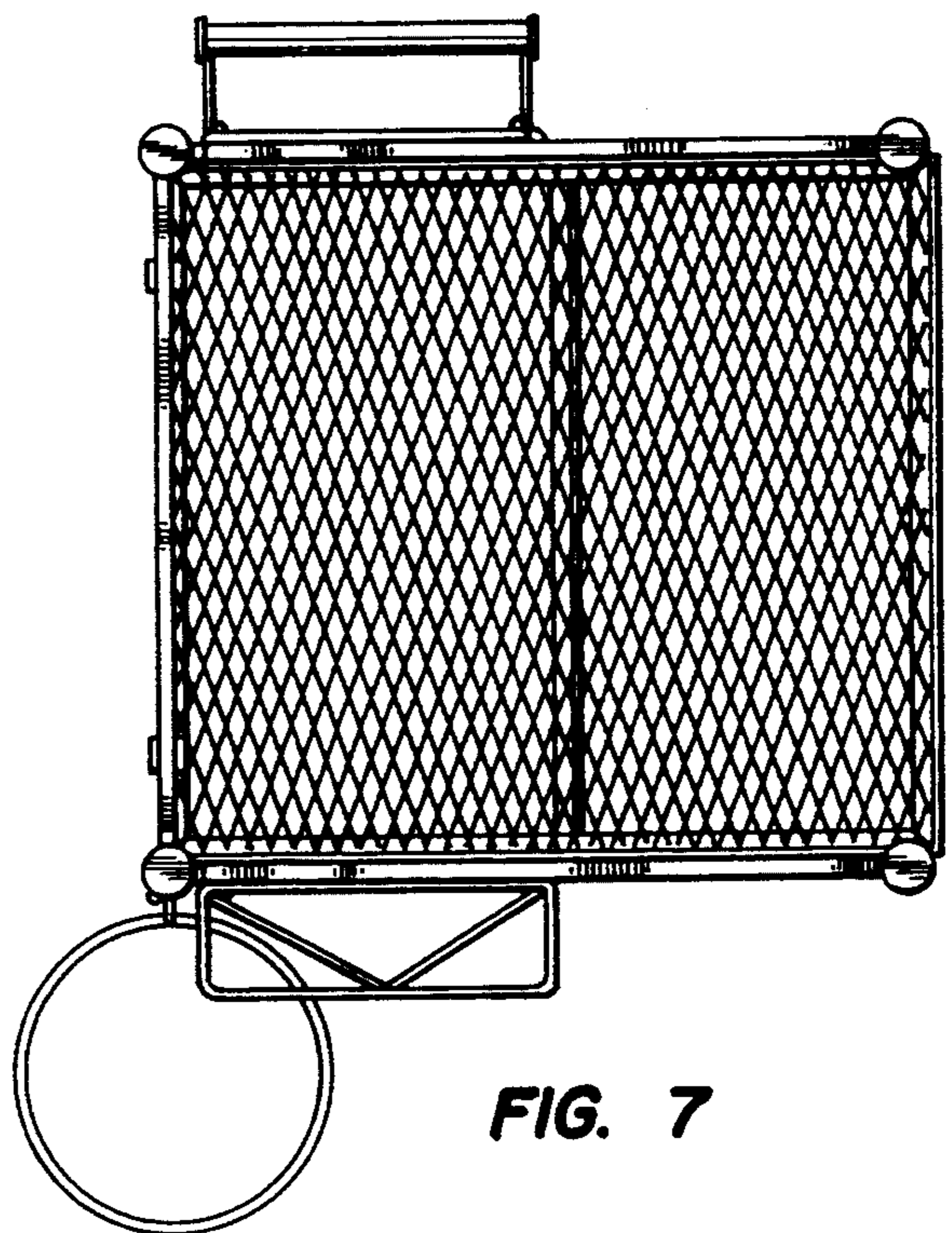


FIG. 7