



US00D355075S

# United States Patent [19]

Stone

[11] Patent Number: **Des. 355,075**

[45] Date of Patent: **\*\* Feb. 7, 1995**

[54] **COMBINED BROOM AND SCRAPER**

[76] Inventor: **Robert E. Stone**, 127 Haverhill Rd., Salem, N.H. 03079

[\*\*] Term: **14 Years**

[21] Appl. No.: **880,546**

[22] Filed: **May 8, 1992**

[52] U.S. Cl. .... **D4/118; D32/42**

[58] Field of Search ..... **D4/116, 118, 132, 135, D4/138; D32/42; 15/105-106, 111, 117, 143.1, 146, 159.1, 160**

[56] **References Cited**

**U.S. PATENT DOCUMENTS**

D. 232,299	8/1974	Epstein	.....	D4/118
D. 235,119	5/1975	Gode	.....	D4/118
D. 307,981	5/1990	Saunders	.....	D4/118
D. 315,975	4/1991	Huang	.....	D4/118 X
490,472	1/1893	Clements	.....	15/111
603,071	4/1898	Ake	.....	15/111
877,614	1/1908	Thompson	.....	15/111
1,143,752	6/1915	Crisman	.....	15/111
1,922,998	8/1933	Williams	.....	15/111
2,163,979	6/1939	Judson	.....	15/111

2,867,827	1/1959	Gantz	.....	15/111
4,785,489	11/1988	Von Doehren	.....	15/111
5,123,138	6/1992	Flamm	.....	15/111

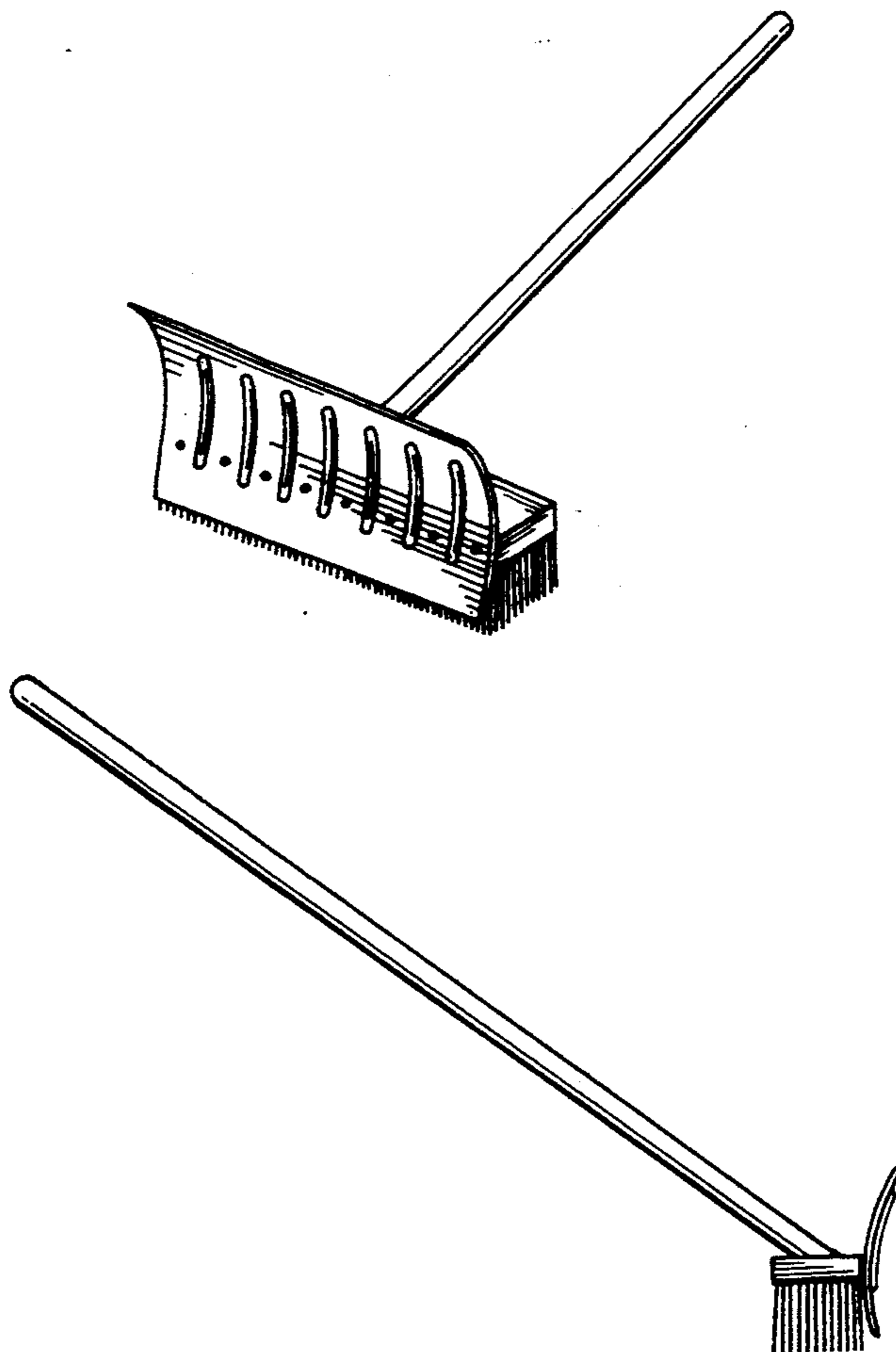
*Primary Examiner*—Wallace R. Burke  
*Assistant Examiner*—Lavone D. Tabor  
*Attorney, Agent, or Firm*—Pearson & Pearson

[57] **CLAIM**

The ornamental design for the combined broom and scraper, as shown and described.

**DESCRIPTION**

FIG. 1 is a front perspective view of a combined broom and scraper showing my new design;  
FIG. 2 is a front elevational view of the combined broom and scraper thereof;  
FIG. 3 is a rear elevational view of the combined broom and scraper;  
FIG. 4 is a right side elevational view of the combined broom and scraper thereof;  
FIG. 5 is a left side elevational view of the combined broom and scraper thereof;  
FIG. 6 is a top plan view of the combined broom and scraper thereof; and,  
FIG. 7 is a bottom plan view of the combined broom and scraper thereof.



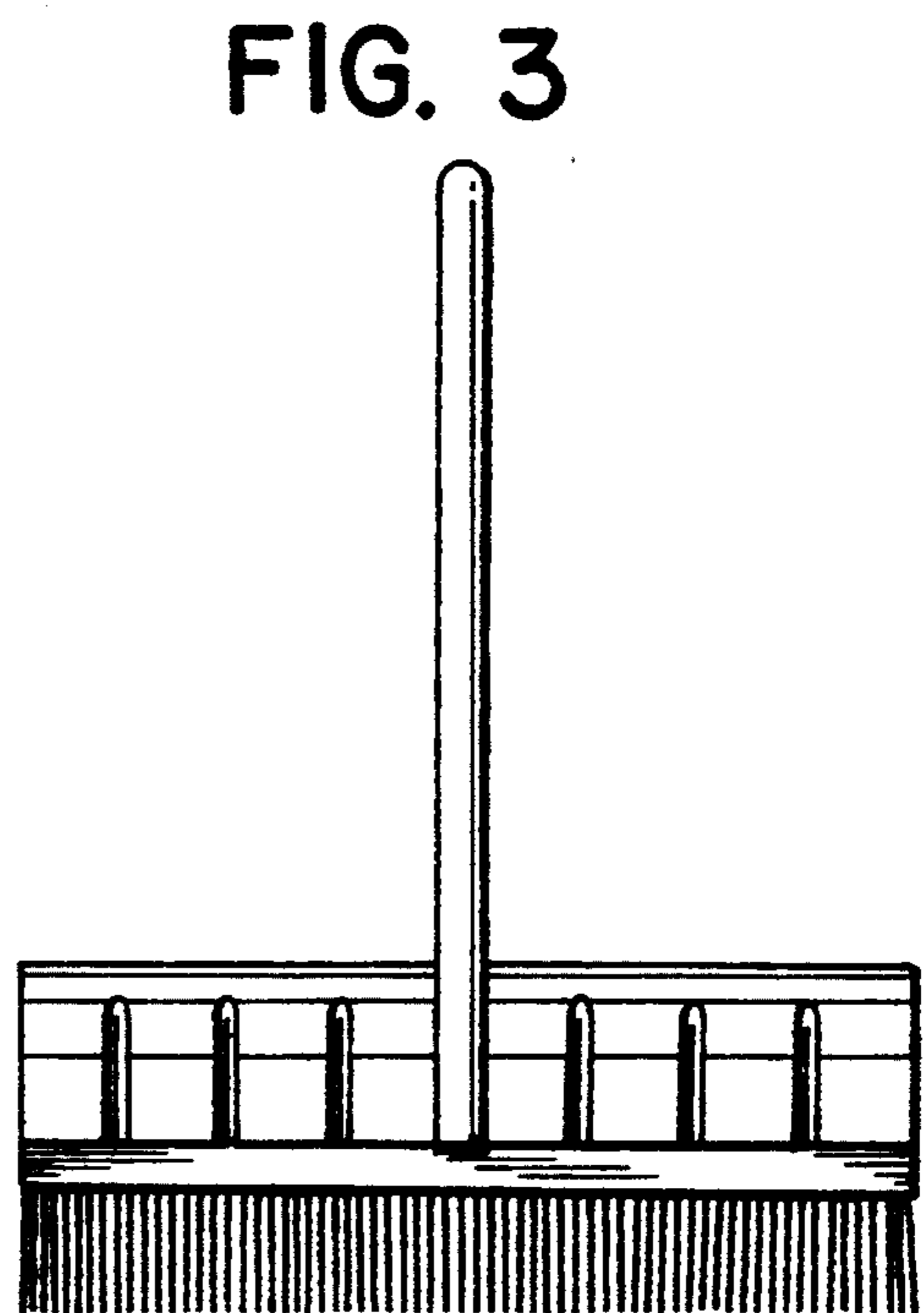
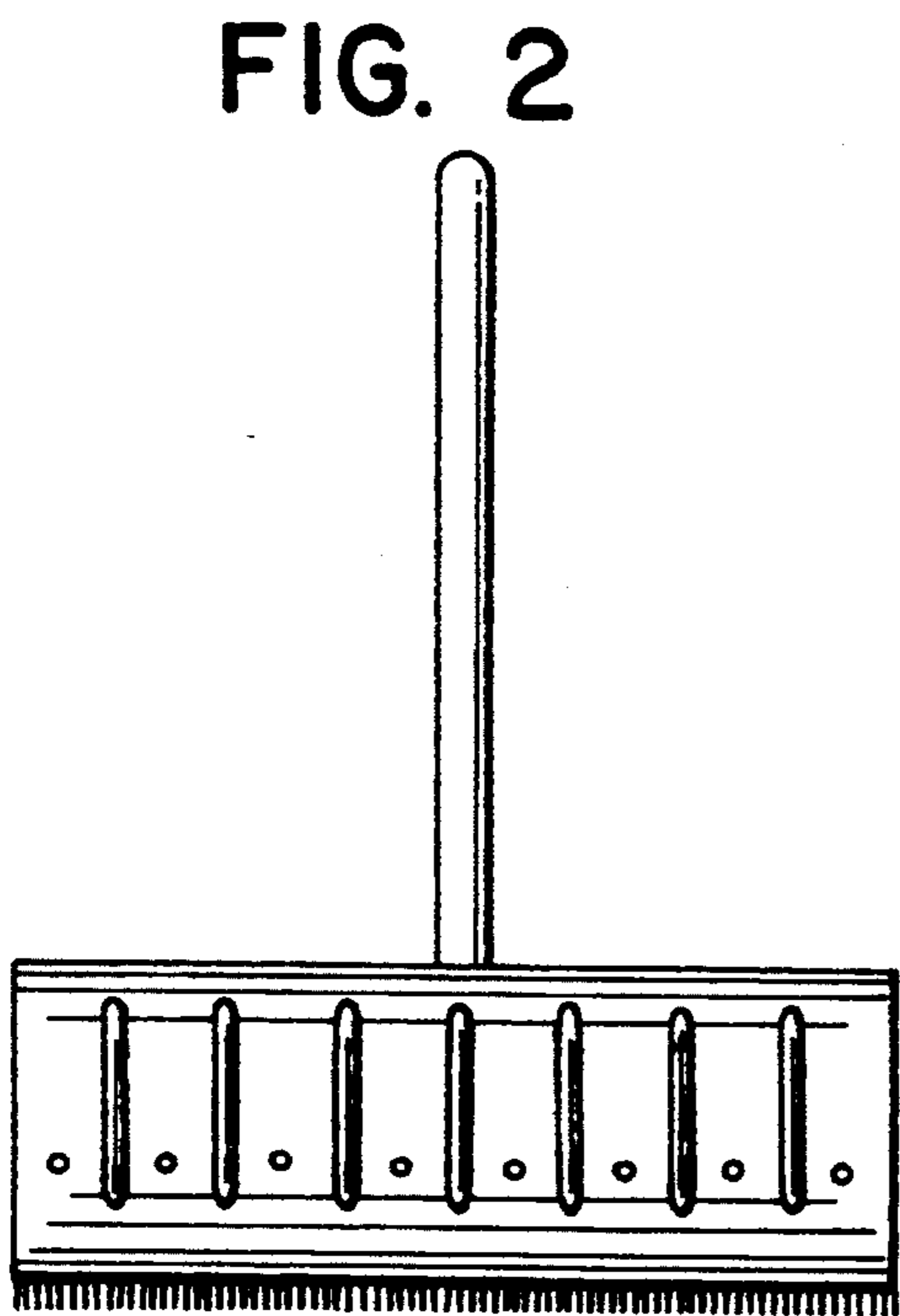
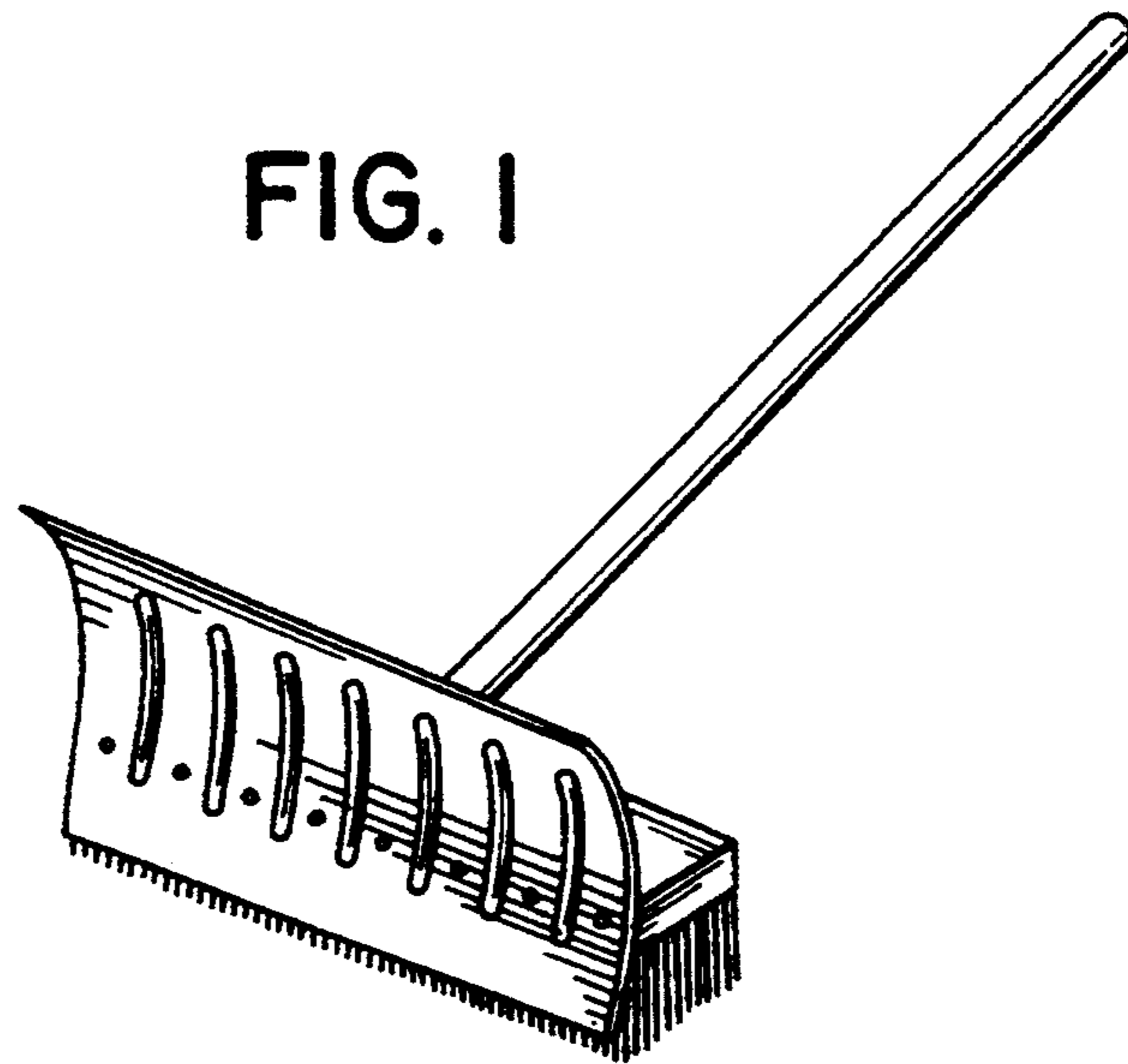


FIG. 4

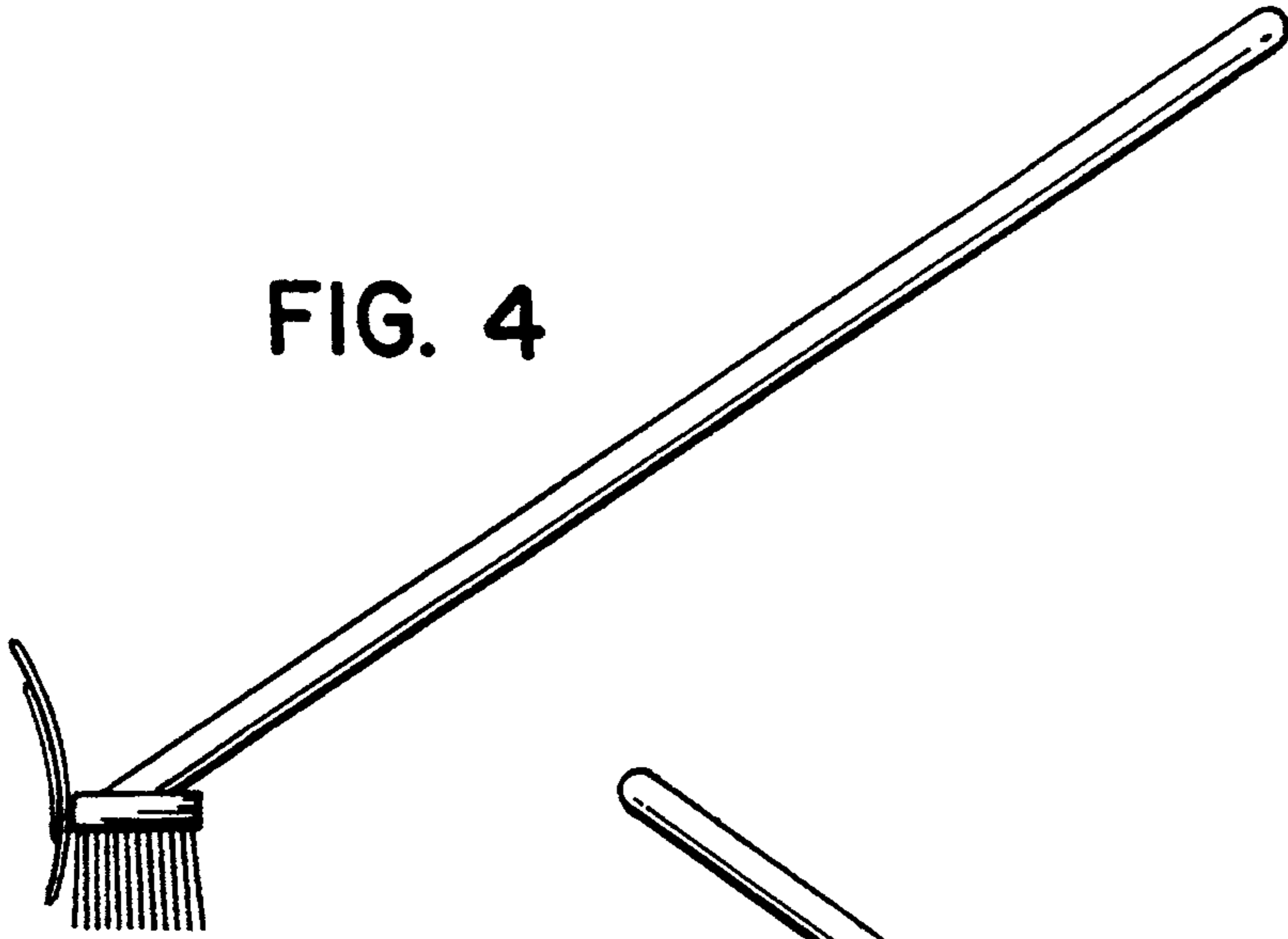


FIG. 5

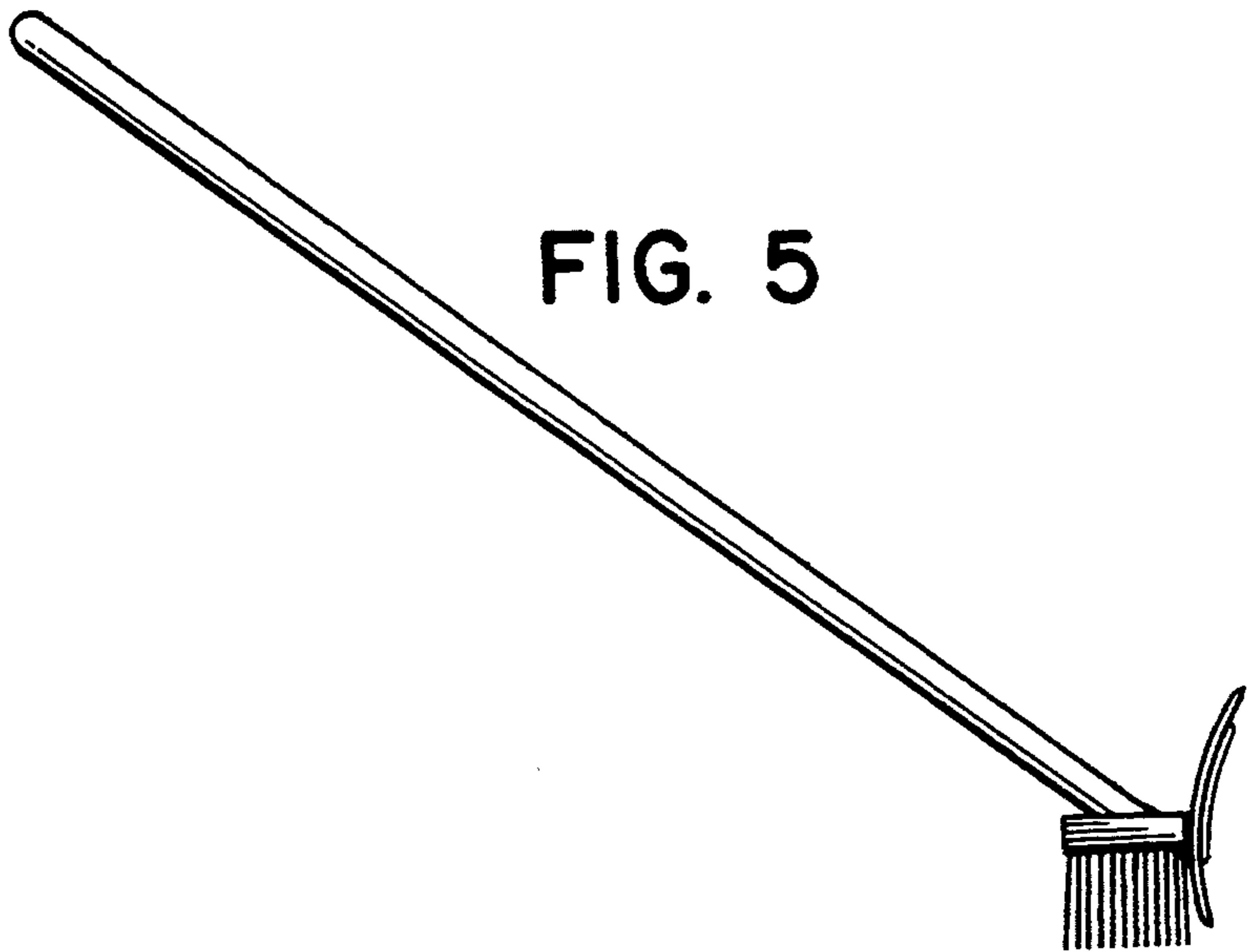


FIG. 6

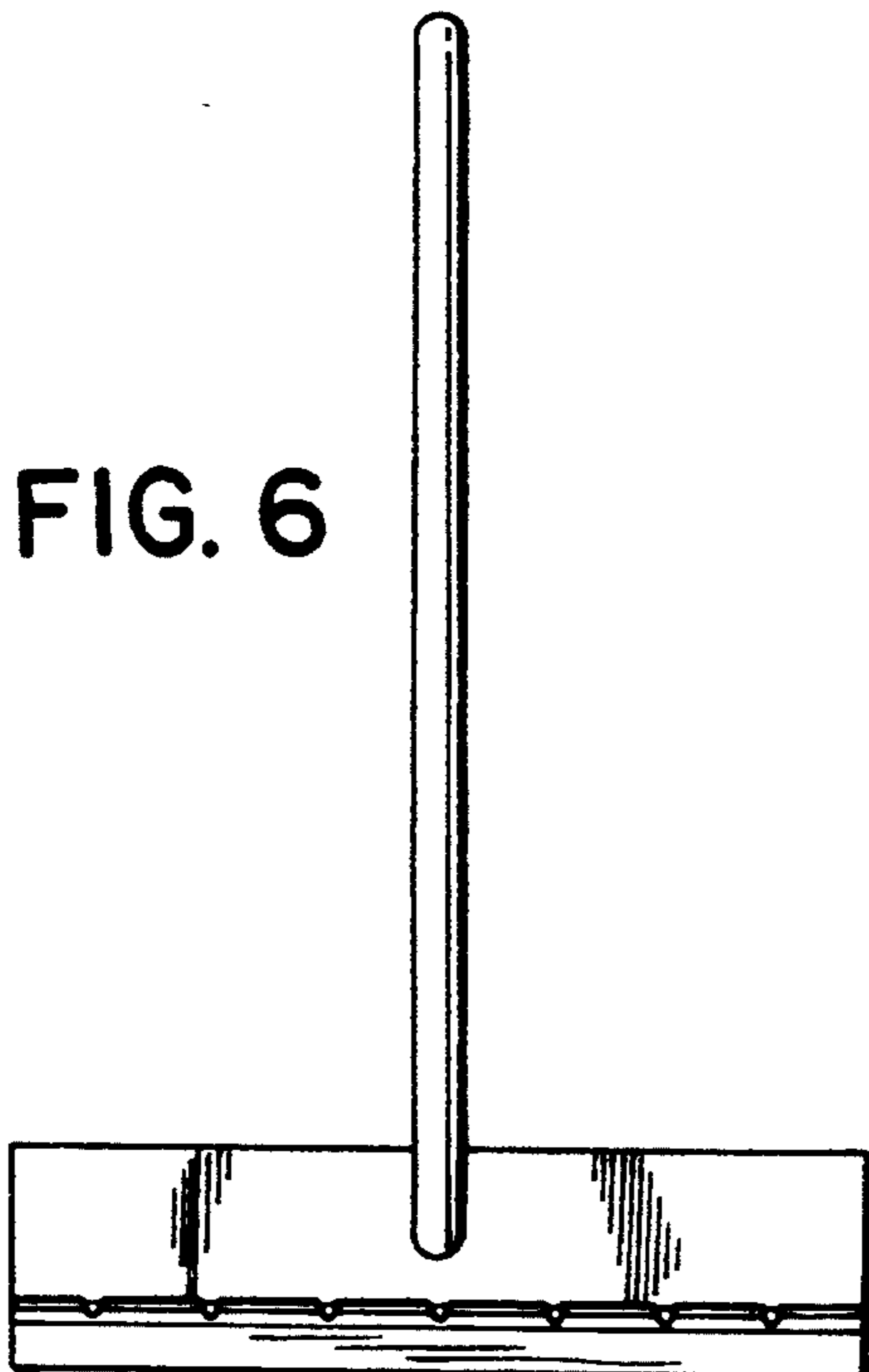


FIG. 7

